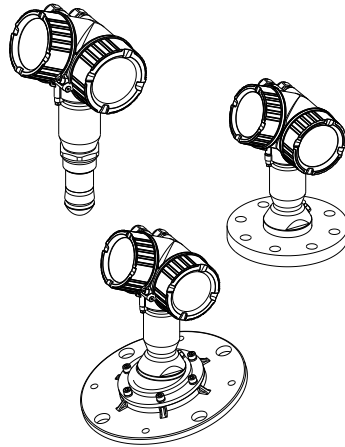


# Brief Operating Instructions Micropilot FMR67 HART

Free space radar



These Instructions are Brief Operating Instructions; they are not a substitute for the Operating Instructions pertaining to the device.

Detailed information about the device can be found in the Operating Instructions and the other documentation:

Available for all device versions via:

- Internet: [www.endress.com/deviceviewer](http://www.endress.com/deviceviewer)
- Smart phone/tablet: *Endress+Hauser Operations App*



A0023555





# Table of contents

<b>1</b>	<b>Important document information</b>	<b>4</b>
1.1	Symbols	4
1.2	Terms and abbreviations	6
1.3	Registered trademarks	7
<b>2</b>	<b>Basic safety instructions</b>	<b>8</b>
2.1	Requirements for the personnel	8
2.2	Designated use	8
2.3	Workplace safety	9
2.4	Operational safety	9
2.5	Product safety	9
<b>3</b>	<b>Product description</b>	<b>11</b>
3.1	Product design	11
<b>4</b>	<b>Incoming acceptance and product identification</b>	<b>12</b>
4.1	Incoming acceptance	12
4.2	Product identification	13
<b>5</b>	<b>Storage, Transport</b>	<b>14</b>
5.1	Storage conditions	14
5.2	Transporting the product to the measuring point	14
<b>6</b>	<b>Installation</b>	<b>15</b>
6.1	Installation conditions	15
6.2	Installation: Drip-off antenna, PTFE 50 mm / 2"	20
6.3	Installation: FMR67 - Flush-mounted antenna	21
6.4	FMR67 - Purge air connection	23
6.5	Container with heat insulation	26
6.6	Turning the transmitter housing	26
6.7	Turning the display	27
6.8	Post-installation check	28
<b>7</b>	<b>Electrical connection</b>	<b>29</b>
7.1	Connection conditions	29
<b>8</b>	<b>Commissioning via SmartBlue (app)</b>	<b>41</b>
8.1	Requirements	41
8.2	Commissioning	42
<b>9</b>	<b>Commissioning via wizard</b>	<b>46</b>
<b>10</b>	<b>Commissioning (via operating menu)</b>	<b>47</b>
10.1	Display and operating module	47
10.2	Operating menu	50
10.3	Unlock the device	51
10.4	Setting the operating language	51
10.5	Configuration of a level measurement	52
10.6	User-specific applications	53





# 1 Important document information


## 1.1 Symbols

### 1.1.1 Safety symbols

Symbol	Meaning
	<b>DANGER!</b> This symbol alerts you to a dangerous situation. Failure to avoid this situation will result in serious or fatal injury.
	<b>WARNING!</b> This symbol alerts you to a dangerous situation. Failure to avoid this situation can result in serious or fatal injury.
	<b>CAUTION!</b> This symbol alerts you to a dangerous situation. Failure to avoid this situation can result in minor or medium injury.
	<b>NOTE!</b> This symbol contains information on procedures and other facts which do not result in personal injury.

### 1.1.2 Electrical symbols










Symbol	Meaning	Symbol	Meaning
	Direct current		Alternating current
	Direct current and alternating current		<b>Ground connection</b> A grounded terminal which, as far as the operator is concerned, is grounded via a grounding system.

Symbol	Meaning
	<b>Protective Earth (PE)</b> A terminal which must be connected to ground prior to establishing any other connections.  The ground terminals are situated inside and outside the device: <ul style="list-style-type: none"> <li>▪ Inner ground terminal: Connects the protective earth to the mains supply.</li> <li>▪ Outer ground terminal: Connects the device to the plant grounding system.</li> </ul>



### 1.1.3 Tool symbols

 A0011219	 A0011220	 A0013442	 A0011221	 A0011222
Cross-head screwdriver	Flat blade screwdriver	Torx screwdriver	Allen key	Hexagon wrench

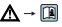

### 1.1.4 Symbols for certain types of information

Symbol	Meaning	Symbol	Meaning
	<b>Permitted</b> Procedures, processes or actions that are permitted.		<b>Preferred</b> Procedures, processes or actions that are preferred.
	<b>Forbidden</b> Procedures, processes or actions that are forbidden.		<b>Tip</b> Indicates additional information.
	Reference to documentation.		Reference to page.
	Reference to graphic.	<b>1, 2, 3...</b>	Series of steps.
	Result of a step.		Visual inspection.

### 1.1.5 Symbols in graphics

Symbol	Meaning
<b>1, 2, 3 ...</b>	Item numbers
<b>1, 2, 3...</b>	Series of steps
<b>A, B, C, ...</b>	Views
<b>A-A, B-B, C-C, ...</b>	Sections
	<b>Hazardous area</b> Indicates a hazardous area.
	<b>Safe area (non-hazardous area)</b> Indicates the non-hazardous area.

### 1.1.6 Symbols at the device

Symbol	Meaning
	<b>Safety instructions</b> Observe the safety instructions contained in the associated Operating Instructions.
	<b>Temperature resistance of the connection cables</b> Specifies the minimum value of the temperature resistance of the connection cables.

## 1.2 Terms and abbreviations

Term/abbreviation	Explanation
BA	Document type "Operating Instructions"
KA	Document type "Brief Operating Instructions"
TI	Document type "Technical Information"
SD	Document type "Special Documentation"
XA	Document type "Safety Instructions"
PN	Nominal pressure
MWP	Maximum Working Pressure The MWP can also be found on the nameplate.
ToF	Time of Flight
FieldCare	Scalable software tool for device configuration and integrated plant asset management solutions
DeviceCare	Universal configuration software for Endress+Hauser HART, PROFIBUS, FOUNDATION Fieldbus and Ethernet field devices
DTM	Device Type Manager
DD	Device Description for HART communication protocol
$\epsilon_r$ (DC value)	Relative dielectric constant
Operating tool	The term "operating tool" is used in place of the following operating software: <ul style="list-style-type: none"> <li>■ FieldCare / DeviceCare, for operation via HART communication and PC</li> <li>■ SmartBlue (app), for operation using an Android or iOS smartphone or tablet.</li> </ul>
BD	Blocking Distance; no signals are analyzed within the BD.
PLC	Programmable Logic Controller
CDI	Common Data Interface
PFS	Pulse Frequency Status (Switching output)

## 1.3 Registered trademarks

### **HART®**

Registered trademark of the HART Communication Foundation, Austin, USA

### **Bluetooth®**

The Bluetooth® word mark and logos are registered trademarks owned by the Bluetooth SIG, Inc. and any use of such marks by Endress+Hauser is under license. Other trademarks and trade names are those of their respective owners.

### **Apple®**

Apple, the Apple logo, iPhone, and iPod touch are trademarks of Apple Inc., registered in the U.S. and other countries. App Store is a service mark of Apple Inc.

### **Android®**

Android, Google Play and the Google Play logo are trademarks of Google Inc.

### **KALREZ®, VITON®**

Registered trademark of DuPont Performance Elastomers L.L.C., Wilmington, USA

### **TEFLON®**

Registered trademark of E.I. DuPont de Nemours & Co., Wilmington, USA

## 2 Basic safety instructions

### 2.1 Requirements for the personnel

The personnel must fulfill the following requirements for its tasks:

- ▶ Trained, qualified specialists must have a relevant qualification for this specific function and task.
- ▶ Are authorized by the plant owner/operator.
- ▶ Are familiar with federal/national regulations.
- ▶ Before starting work, read and understand the instructions in the manual and supplementary documentation as well as the certificates (depending on the application).
- ▶ Follow instructions and comply with basic conditions.

### 2.2 Designated use

#### Application and media

The measuring device described in these Operating Instructions is intended for continuous, non-contact level measurement primarily in bulk solids. Because of its operating frequency of approx. 80 GHz, a maximum radiated peak power of 6.3 mW and an average power output of 63  $\mu$ W, unrestricted use outside of closed, metallic vessels is also permitted (for example over heaps). Operation does not pose any danger whatsoever to humans and animals.

If the limit values specified in the "Technical data" and the conditions listed in the instructions and additional documentation are observed, the measuring device may be used for the following measurements only:

- ▶ Measured process variables: level, distance, signal strength
- ▶ Calculable process variables: volume or mass in any shape of vessel

To ensure that the measuring device remains in proper condition for the operation time:

- ▶ Use the measuring device only for media against which the process-wetted materials are adequately resistant.
- ▶ Observe the limit values in "Technical data".

#### Incorrect use

The manufacturer is not liable for damage caused by improper or non-designated use.

Verification for borderline cases:

- ▶ For special fluids and fluids for cleaning, Endress+Hauser is glad to provide assistance in verifying the corrosion resistance of fluid-wetted materials, but does not accept any warranty or liability.

#### Residual risks

Due to heat transfer from the process as well as power loss in the electronics, the temperature of the electronics housing and the assemblies it contains (e.g. display module, main electronics module and I/O electronics module) may rise to 80 °C (176 °F). When in operation, the sensor may reach a temperature close to the medium temperature.

Danger of burns from contact with surfaces!

- ▶ For elevated fluid temperature, ensure protection against contact to prevent burns.



## 2.3 Workplace safety

For work on and with the device:

- ▶ Wear the required personal protective equipment according to federal/national regulations.

## 2.4 Operational safety

Risk of injury.

- ▶ Operate the device in proper technical condition and fail-safe condition only.
- ▶ The operator is responsible for interference-free operation of the device.

### Conversions to the device

Unauthorized modifications to the device are not permitted and can lead to unforeseeable dangers.

- ▶ If, despite this, modifications are required, consult with the manufacturer.

### Repair

To ensure continued operational safety and reliability,

- ▶ Carry out repairs on the device only if they are expressly permitted.
- ▶ Observe federal/national regulations pertaining to repair of an electrical device.
- ▶ Use original spare parts and accessories from the manufacturer only.

### Hazardous area

To eliminate a danger for persons or for the facility when the device is used in the hazardous area (e.g. explosion protection, pressure vessel safety):

- ▶ Based on the nameplate, check whether the ordered device is permitted for the intended use in the hazardous area.
- ▶ Observe the specifications in the separate supplementary documentation that is an integral part of these Instructions.

## 2.5 Product safety

This measuring device is designed in accordance with good engineering practice to meet state-of-the-art safety requirements, has been tested, and left the factory in a condition in which it is safe to operate. It meets general safety standards and legal requirements.

### NOTICE

#### Loss of degree of protection by opening of the device in humid environments

- ▶ If the device is opened in a humid environment, the degree of protection indicated on the nameplate is no longer valid. This may also impair the safe operation of the device.

### 2.5.1 CE mark

The measuring system meets the legal requirements of the applicable EC guidelines. These are listed in the corresponding EC Declaration of Conformity together with the standards applied.

Endress+Hauser confirms successful testing of the device by affixing to it the CE mark.

### **2.5.2 EAC conformity**

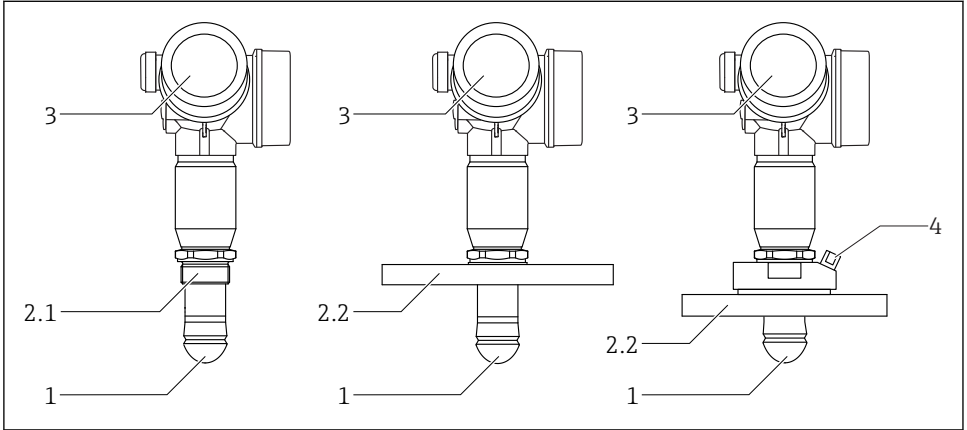
The measuring system meets the legal requirements of the applicable EAC guidelines. These are listed in the corresponding EAC Declaration of Conformity together with the standards applied.

Endress+Hauser confirms successful testing of the device by affixing to it the EAC mark.

## 3 Product description

### 3.1 Product design

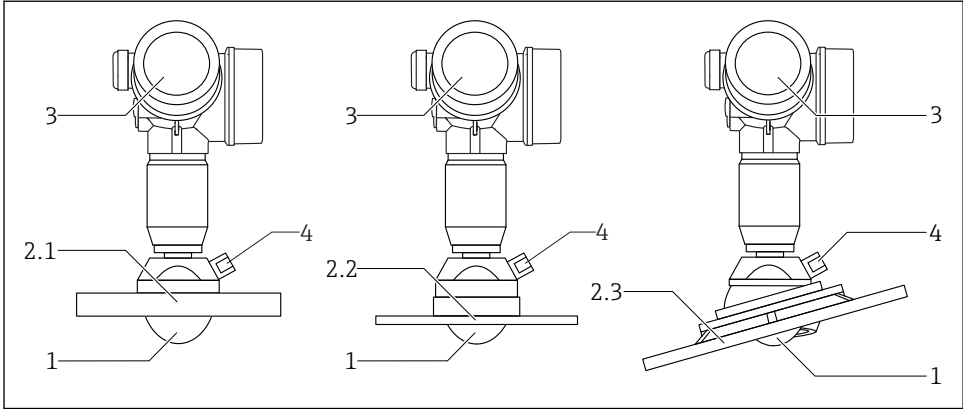
#### 3.1.1 Micropilot FMR67



A0032714

1 Design of the Micropilot FMR67

- 1 Drip-off antenna PTFE
- 2.1 Process connection (Thread)
- 2.2 Process connection (Flange)
- 3 Electronics housing
- 4 Purge air connection



A0032782

## 2 Design of the Micropilot FMR67

- 1 PTFE antenna
- 2.1 Process connection (Flange)
- 2.2 Process connection (UNI-Flange)
- 2.3 Process connection (Flange with alignment device)
- 3 Electronics housing
- 4 Purge air connection

## 4 Incoming acceptance and product identification

### 4.1 Incoming acceptance

Check the following during incoming acceptance:

- Are the order codes on the delivery note and the product sticker identical?
- Are the goods undamaged?
- Do the nameplate data match the ordering information on the delivery note?
- If required (see nameplate): Are the safety instructions (XA) present?

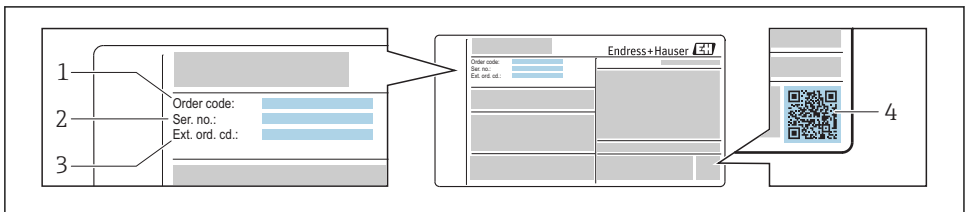
**i** If one of these conditions does not apply, please contact your Endress+Hauser sales office.

## 4.2 Product identification

The following options are available for identification of the measuring device:

- Nameplate specifications
- Extended order code with breakdown of the device features on the delivery note
- Enter the serial number on the nameplate into *W@M Device Viewer* ([www.endress.com/deviceviewer](http://www.endress.com/deviceviewer)): all the information about the measuring device is displayed.
- Enter the serial number on the nameplate into the *Endress+Hauser Operations App* or scan the 2-D matrix code (QR code) on the nameplate with the *Endress+Hauser Operations App*: all the information about the measuring device is displayed.

### 4.2.1 Nameplate



A0030196

 3 Example of a nameplate

- 1 Order code
- 2 Serial number (ser. no.)
- 3 Extended order code (Ext. ord. cd.)
- 4 2-D matrix code (QR code)



For detailed information on the breakdown of the specifications on the nameplate, see the Operating Instructions for the device .



Up to 33 characters of the extended order code are indicated on the nameplate. If the extended order code contains additional characters, these cannot be displayed.

However, the complete extended order code can also be displayed via the device operating menu: **Extended order code 1 to 3** parameter

## 5 Storage, Transport

### 5.1 Storage conditions

- Permitted storage temperature:  $-40$  to  $+80$  °C ( $-40$  to  $+176$  °F)
- Use original packaging.

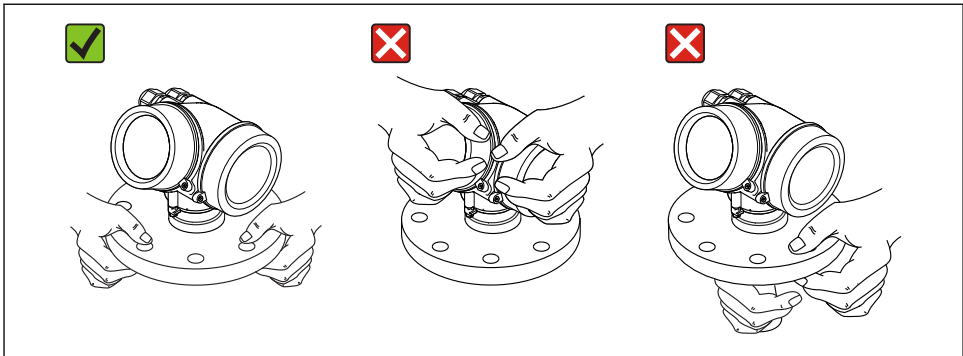
### 5.2 Transporting the product to the measuring point

#### NOTICE

**Housing or sensor may become damaged or pull off.**

Risk of injury!

- ▶ Transport the measuring device to the measuring point in its original packaging or by the process connection.
- ▶ Always secure lifting equipment (slings, eyes, etc.) at the process connection and never lift the device by the electronic housing or sensor. Pay attention to the center of gravity of the device so that it does not tilt or slip unintentionally.
- ▶ Follow the safety instructions and transport conditions for devices over 18 kg (39.6 lbs), (IEC61010).

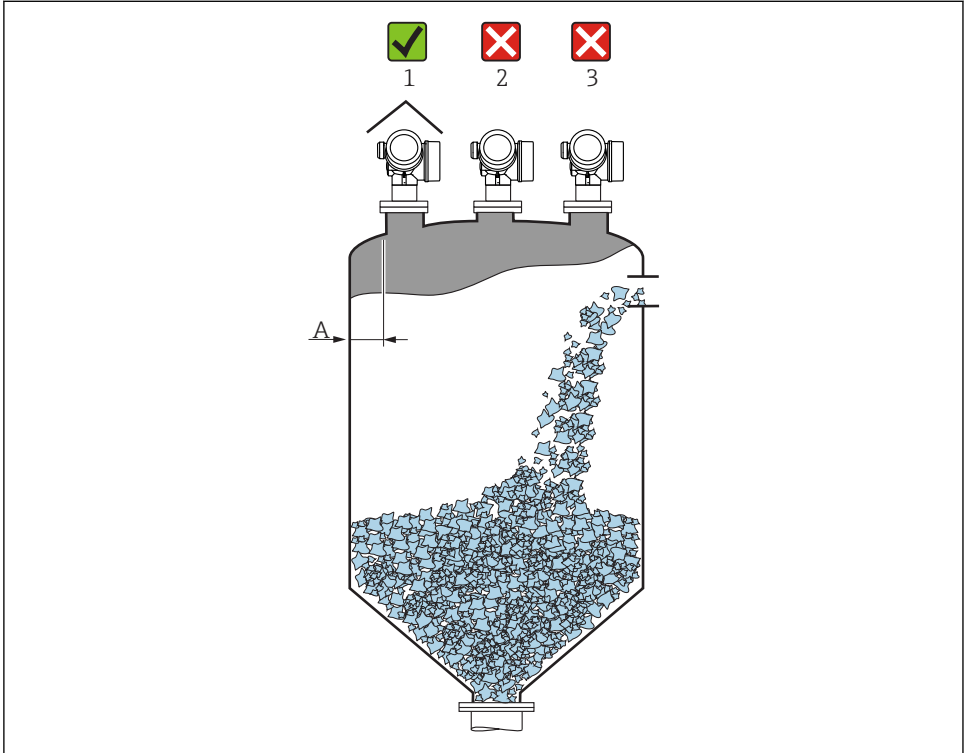


A0032300

## 6 Installation

### 6.1 Installation conditions

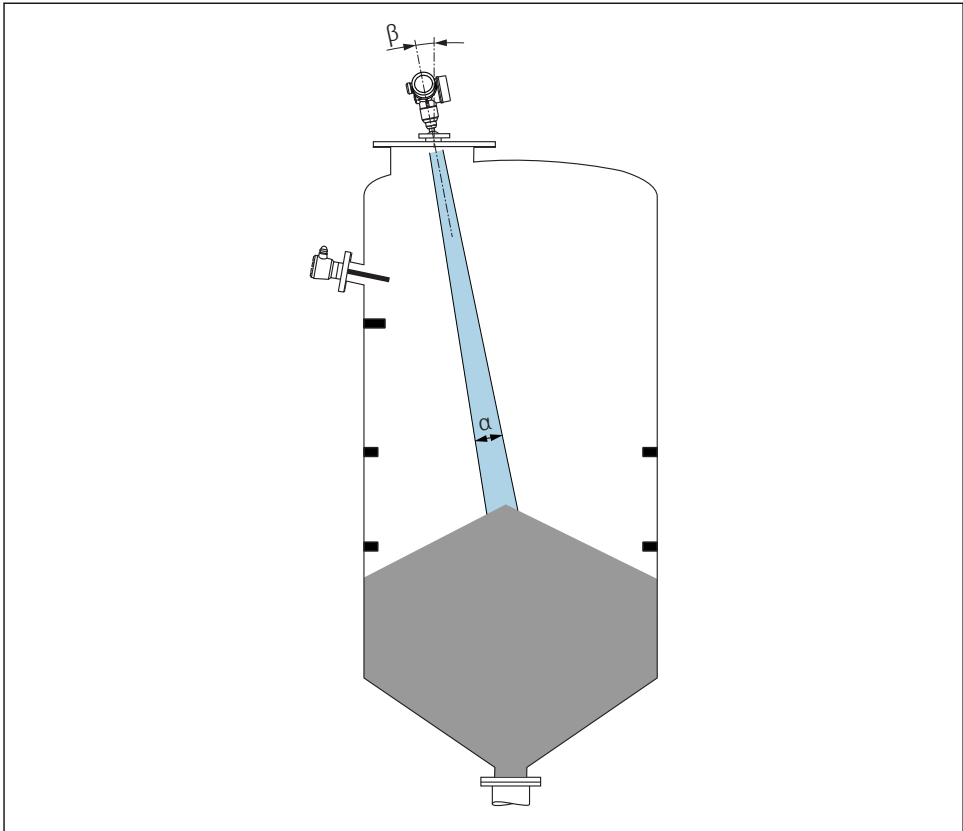
#### 6.1.1 Orientation - Solid media



A0016883

- Recommended distance **A** wall - nozzle outer edge:  $\sim 1/6$  of the container diameter. However, the device must not under any circumstances be mounted closer than 20 cm (7.87 in) to the container wall.  
 If the container wall is not smooth (corrugated iron, welding seams, joints, etc.) it is recommended to maintain the largest possible distance from the wall. Where necessary use an alignment unit to avoid interference reflections from the container wall → 21.
- Not in the center (2) as interference can cause signal loss.
- Not above the filling curtain (3).
- The use of a weather protection cover (1) is recommended to protect the transmitter from direct sunlight or rain.
- In applications with strong dust emissions, the integrated purge air connection can prevent the antenna from becoming clogged .

## Internal container fittings

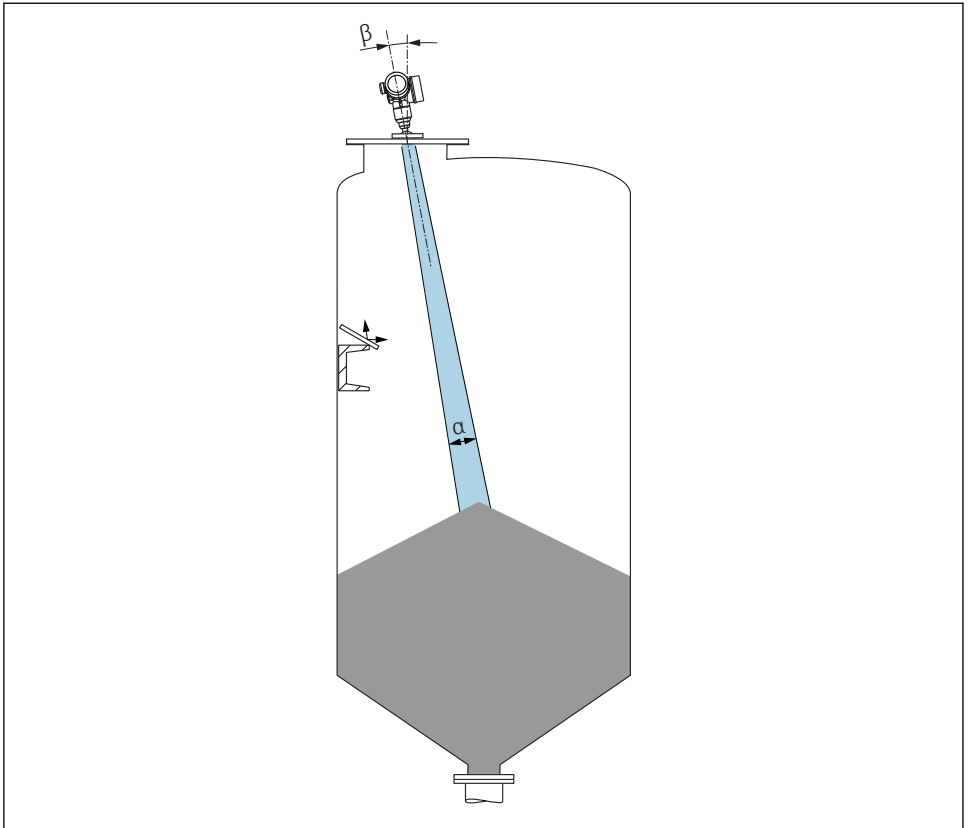


A0031814

Avoid the location of internal fittings (limit switches, temperature sensors, struts etc.) inside the signal beam. Take into account the beam angle .



## Avoiding interference echoes



A0031817

Metal deflector plates, installed at an angle to scatter the radar signals, help prevent interference echoes.

## 6.1.2 Optimization options

### ■ Antenna size

The larger the antenna the smaller the beam angle  $\alpha$ , resulting in fewer interference echoes  
 → ☰ 18.

### ■ Mapping

Measurement can be optimized by electronically suppressing interference echoes.

### ■ Adjustable flange seal for FMR67

Adjustable flange seals sized from DN80 to DN150 (3" to 6") are available for the FMR67 with drip-off antenna <sup>1)</sup>. They can be used to align the device to the product surface.

Maximum angle of alignment: 8 °.

How to order:

- Order with the device <sup>2)</sup>
- Order as an accessory

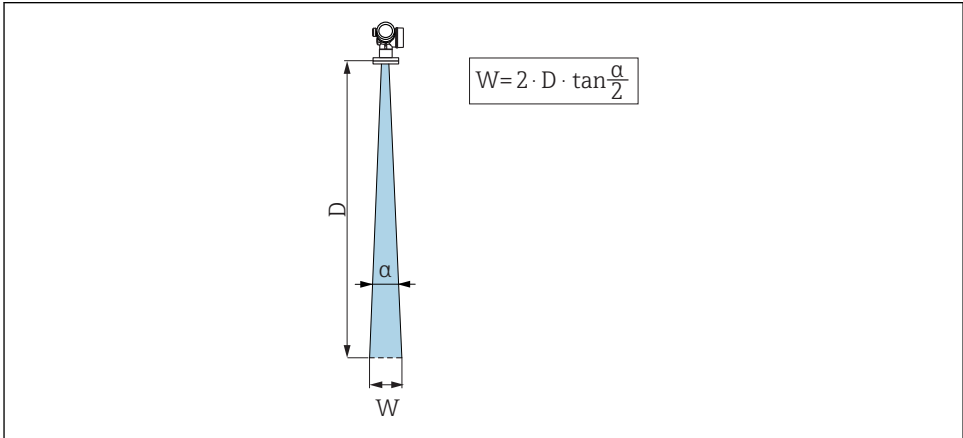
### ■ Alignment unit for FMR67

Flanges from 4" / DN100 are optionally available with an alignment unit <sup>3)</sup> They allow the sensor to be optimally aligned to suit conditions in the container in order to prevent interference reflections. The maximum angle is  $\pm 15$  °.

The purpose of sensor alignment is primarily to:

- Prevent interference reflections
- Increase the maximum possible measuring range in conical outlets

## 6.1.3 Beam angle



A0031824

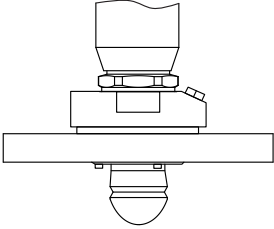
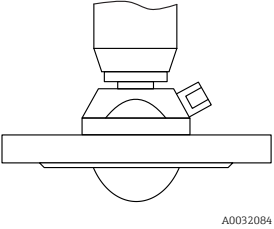
☰ 4 Relationship between beam angle  $\alpha$ , distance  $D$  and beamwidth diameter  $W$

1) Feature 070 in product structure, "Antenna", option GA

2) Feature 100 in product structure "Process connection", options PL, PM, PN, PO, PQ, PR

3) See feature 100 in product structure, "Process connection".

The beam angle is defined as the angle  $\alpha$  where the energy density of the radar waves reaches half the value of the maximum energy density (3dB width). Microwaves are also emitted outside the signal beam and can be reflected off interfering installations.

<b>FMR67</b>		
		
<b>Antenna</b> <sup>1)</sup>	Drip-off, PTFE 50 mm / 2"	PTFE flush-mounted 80 mm / 3"
<b>Beam angle <math>\alpha</math></b>	6 °	4 °
<b>Distance (D)</b>	<b>Beamwidth diameter W</b>	
5 m (16 ft)	0.52 m (1.70 ft)	0.35 m (1.15 ft)
10 m (33 ft)	1.05 m (3.44 ft)	0.70 m (2.30 ft)
15 m (49 ft)	1.57 m (5.15 ft)	1.05 m (3.44 ft)
20 m (66 ft)	2.10 m (6.89 ft)	1.40 m (4.59 ft)
25 m (82 ft)	2.62 m (8.60 ft)	1.75 m (5.74 ft)
30 m (98 ft)	3.14 m (10.30 ft)	2.10 m (6.89 ft)
35 m (115 ft)	3.67 m (12.04 ft)	2.44 m (8.00 ft)
40 m (131 ft)	4.19 m (13.75 ft)	2.79 m (9.15 ft)
45 m (148 ft)	4.72 m (15.49 ft)	3.14 m (10.30 ft)
50 m (164 ft)	5.24 m (17.19 ft)	3.49 m (11.45 ft)
60 m (197 ft)	-	4.19 m (13.75 ft)
70 m (230 ft)	-	4.89 m (16.04 ft)
80 m (262 ft)	-	5.59 m (18.34 ft)
90 m (295 ft)	-	6.29 m (20.64 ft)
100 m (328 ft)	-	6.98 m (22.90 ft)
110 m (361 ft)	-	7.68 m (25.20 ft)
120 m (394 ft)	-	8.38 m (27.49 ft)
125 m (410 ft)	-	8.73 m (28.64 ft)

1) Feature 070 in product structure

### 6.1.4 External measurement through plastic cover or dielectric windows

- Dielectric constant of medium:  $\epsilon_r \geq 10$
- The distance from the tip of the antenna to the tank should be approx. 100 mm (4 in).
- If possible, avoid installation positions in which condensate or buildup can form between the antenna and the vessel.
- In the case of outdoor installations, ensure that the area between the antenna and the tank is protected from the weather.
- Do not install any fittings or attachments between the antenna and the tank that could reflect the signal.

*Suitable thickness of tank roof or window*

Material	PE	PTFE	PP	Perspex
$\epsilon_r$ (Dielectric constant of medium)	2.3	2.1	2.3	3.1
Optimum thickness	1.25 mm (0.049 in) <sup>1)</sup>	1.3 mm (0.051) <sup>1)</sup>	1.25 mm (0.049 in) <sup>1)</sup>	1.07 mm (0.042 in) <sup>1)</sup>

- 1) or an integer that is a multiple of this value; it should be noted here that the microwave transparency decreases significantly with increasing window thickness.

## 6.2 Installation: Drip-off antenna, PTFE 50 mm / 2"

### 6.2.1 FMR67 - Aligning the antenna axis

Align the antenna vertically to the product surface.

If necessary, the antenna can be aligned by means of a adjustable flange seal (available as an accessory).



Attention:

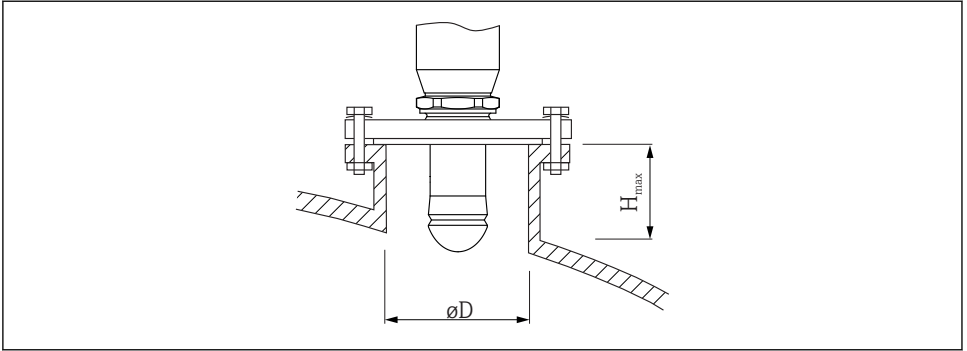
The maximum reach of the antenna can be reduced if it is not installed perpendicular to the product.

### 6.2.2 Radial alignment of the antenna

Based on the directional characteristic, radial alignment of the antenna is not necessary.

### 6.2.3 Information concerning nozzles

The maximum nozzle length  $H_{max}$  depends on the nozzle diameter  $D$ :



A0032209

Nozzle diameter ( $\varnothing D$ )	Maximum nozzle length ( $H_{max}$ ) <sup>1)</sup>
50 to 80 mm (2 to 3.2 in)	750 mm (30 in)
80 to 100 mm (3.2 to 4 in)	1 150 mm (46 in)
100 to 150 mm (4 to 6 in)	1 450 mm (58 in)
$\geq 150$ mm (6 in)	2 200 mm (88 in)

1) In the case of longer nozzles, a reduced measuring performance must be anticipated.



Note the following if the antenna does not project out of the nozzle:

- The end of the nozzle must be smooth and free from burrs. The edge of the nozzle should be rounded if possible.
- Mapping must be performed.
- Please contact Endress+Hauser for applications with nozzles that are higher than indicated in the table.

#### 6.2.4 Information concerning threaded connections

- When screwing in, turn by the hex bolt only.
- Tool: open-ended wrench 55 mm
- Maximum permissible torque: 50 Nm (36 lbf ft)

### 6.3 Installation: FMR67 - Flush-mounted antenna

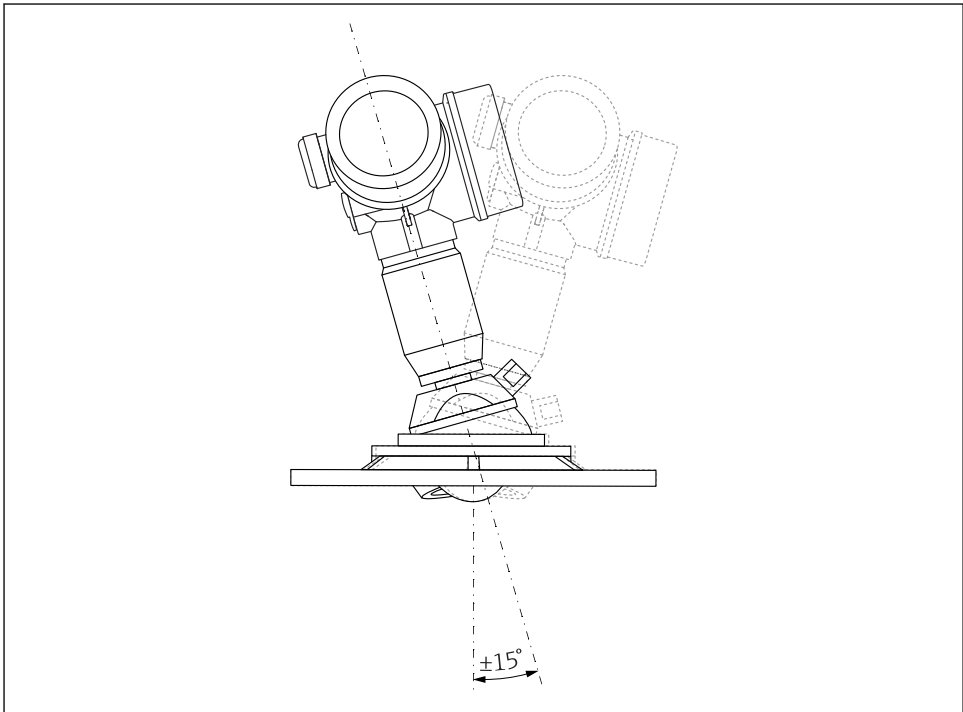
#### 6.3.1 Aligning the antenna axis

UNI flanges with an integrated alignment unit are available for FMR67 devices with a flush mount antenna. An angle of inclination of up to 15° in all directions can be set for the antenna

axis using the alignment unit. The alignment unit is used to optimally align the radar beam to the bulk solid.

Process connection with Alignment unit <sup>1)</sup>	UNI flange	Material	Pressure rating	Suitable for
XCA	UNI 4" / DN100 / 100A	Aluminum	max. 14.5lbs / PN1 / 1K	<ul style="list-style-type: none"> <li>■ 4" 150lbs</li> <li>■ DN100 PN16</li> <li>■ 10K 100A</li> </ul>
XDA	UNI 6" / DN150 / 150A	Aluminum	max. 14.5lbs / PN1 / 1K	<ul style="list-style-type: none"> <li>■ 6" 150lbs</li> <li>■ DN150 PN16</li> <li>■ 10K 150A</li> </ul>
XEA	UNI 8" / DN200 / 200A	Aluminum	max. 14.5lbs / PN1 / 1K	<ul style="list-style-type: none"> <li>■ 8" 150lbs</li> <li>■ DN200 PN16</li> <li>■ 10K 200A</li> </ul>
XFA	UNI 10" / DN250 / 250A	Aluminum	max. 14.5lbs / PN1 / 1K	<ul style="list-style-type: none"> <li>■ 10" 150lbs</li> <li>■ DN250 PN16</li> <li>■ 10K 250A</li> </ul>

1) Feature 100 in product structure



A0032097

5 Micropilot FMR67 with alignment unit

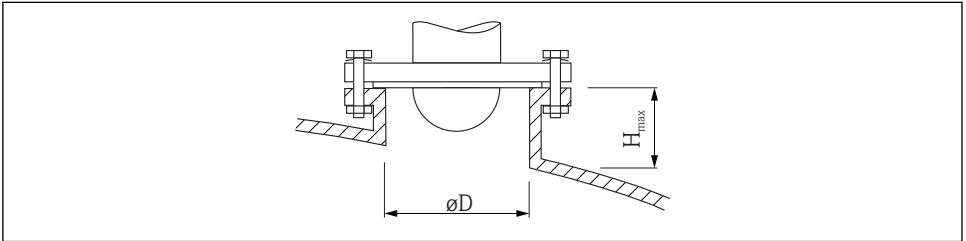
Aligning the antenna axis

1. Release the screws
2. Align the antenna axis (up to max. ±15° possible in all directions)
3. Tighten the screws with 10 Nm (7.4 lbf ft)

6.3.2 Radial alignment of the antenna

Based on the directional characteristic, radial alignment of the antenna is not necessary.

6.3.3 Information concerning nozzles



A0032206

Internal diameter of nozzle $D$	Maximum nozzle height $H_{max}$
min. 80 to 100 mm (3 to 4 in)	1 450 mm (57 in)
100 to 150 mm (4 to 6 in)	1 800 mm (71 in)
≥150 mm (6 in)	2 700 mm (106 in)



Note the following if the antenna does not project out of the nozzle:

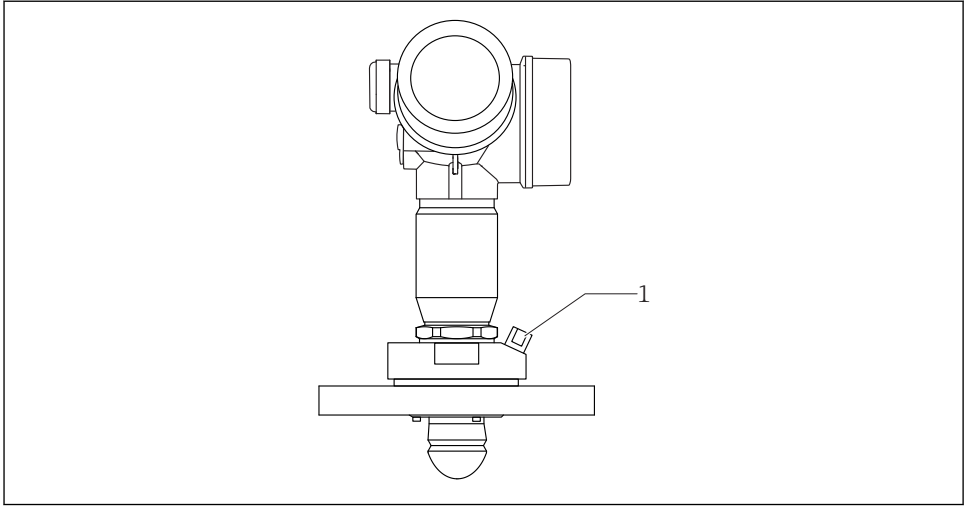
- The end of the nozzle must be smooth and free from burrs. The edge of the nozzle should be rounded if possible.
- Mapping must be performed.
- Please contact Endress+Hauser for applications with nozzles that are higher than indicated in the table.

6.4 FMR67 - Purge air connection

6.4.1 Purge air adapter for drip-off antennas

Purge air connection <sup>1)</sup>	Meaning
A	None
3	Purge air adapter G 1/4"
4	Purge air adapter NPT 1/4"

1) Feature 110 in product structure



A0032098

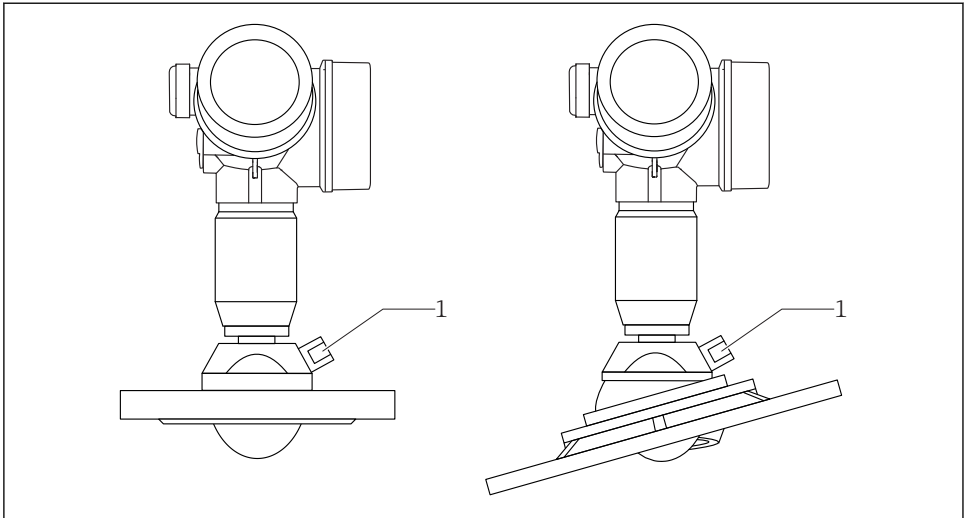
1 Purge air connection NPT 1/4" or G 1/4"

### 6.4.2 Integrated purge air connection for flush-mounted antennas

Purge air connection <sup>1)</sup>	Meaning
1	Purge air connection G 1/4"
2	Purge air connection NPT 1/4"

1) Feature 110 in product structure





A0032099

1 Purge air connection NPT 1/4" or G 1/4"

### 6.4.3 Use

In applications with strong dust emissions, the integrated purge air connection can prevent the antenna from becoming clogged. Pulse operation is recommended.

#### Purge air pressure range

- **Pulse operation :**  
Max. 6 bar (87 psi)
- **Continuous operation:**  
200 to 500 mbar (3 to 7.25 psi)

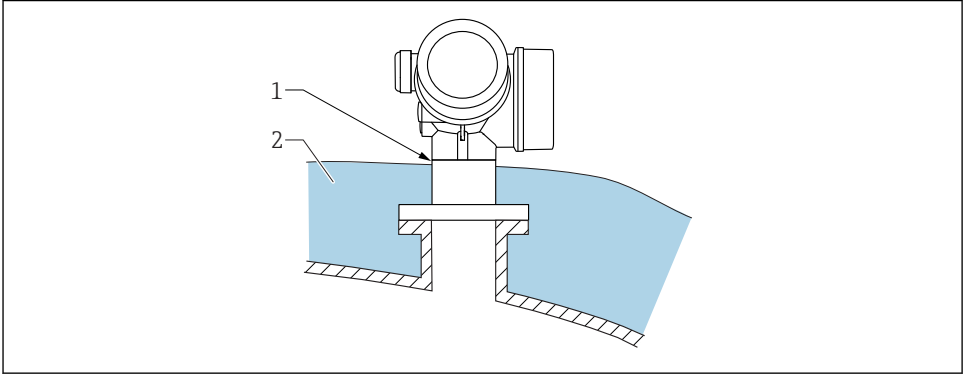


Always use dry purge air.



In general, purging should only be performed to the extent necessary as excess purging can cause mechanical damage (abrasion).

## 6.5 Container with heat insulation

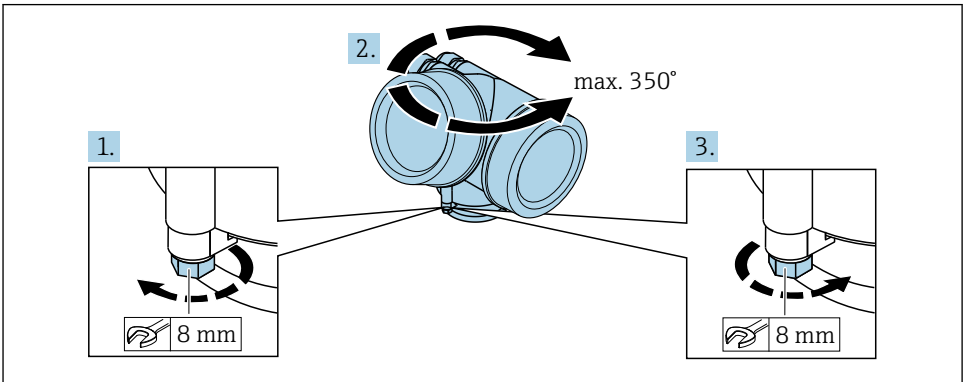


A0032207

If process temperatures are high, the device should be included in the usual container insulation system (2) to prevent the electronics from heating as a result of thermal radiation or convection. The insulation should not be higher than the neck of the device (1).

## 6.6 Turning the transmitter housing

To provide easier access to the connection compartment or display module, the transmitter housing can be turned:

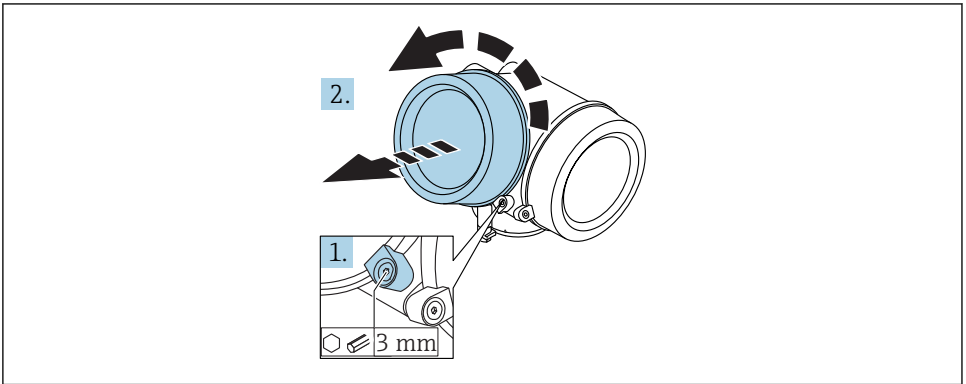


A0032242

1. Unscrew the securing screw using an open-ended wrench.
2. Rotate the housing in the desired direction.
3. Tighten the securing screw (1.5 Nm for plastic housing; 2.5 Nm for aluminum or stainless steel housing).

## 6.7 Turning the display

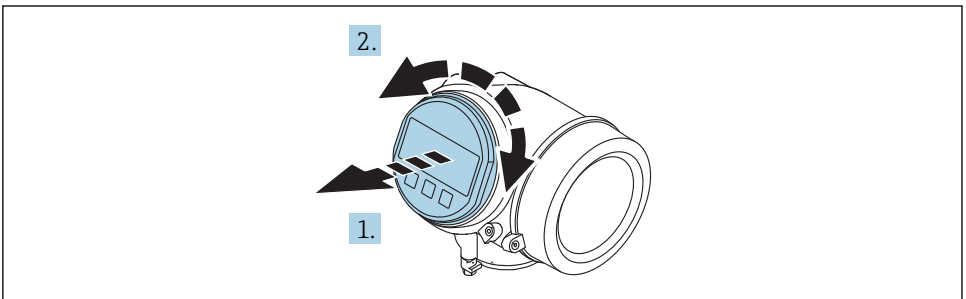
### 6.7.1 Opening cover



A0021430

1. Loosen the screw of the securing clamp of the electronics compartment cover using an Allen key (3 mm) and turn the clamp 90 ° counterclockwise.
2. Unscrew cover and check lid gasket, replace if necessary.

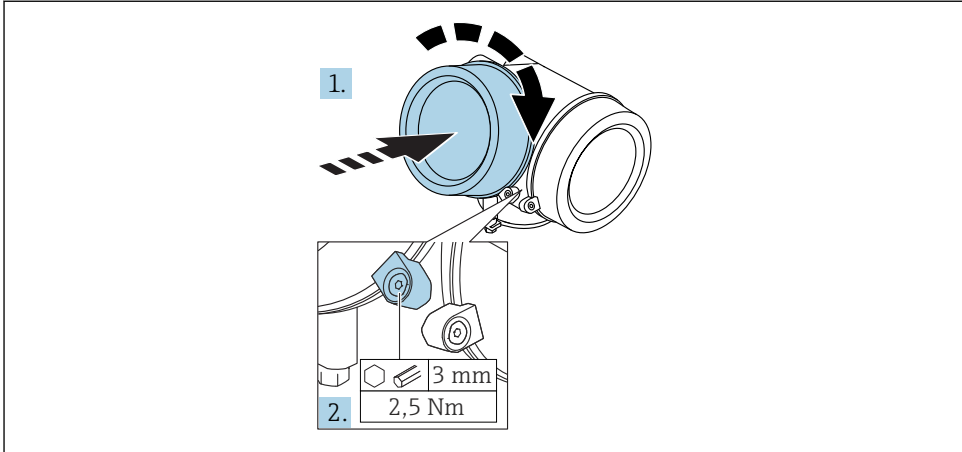
### 6.7.2 Turning the display module



A0036401

1. Pull out the display module with a gentle rotational movement.
2. Rotate the display module to the desired position: max.  $8 \times 45^\circ$  in each direction.
3. Feed the coiled cable into the gap between the housing and main electronics module and plug the display module into the electronics compartment until it engages.

### 6.7.3 Closing electronics compartment cover



A0021451

1. Screw back firmly electronics compartment cover.
2. Turning securing clamp 90 ° clockwise and tighten the clamp with 2.5 Nm using the Allen key (3 mm).

### 6.8 Post-installation check

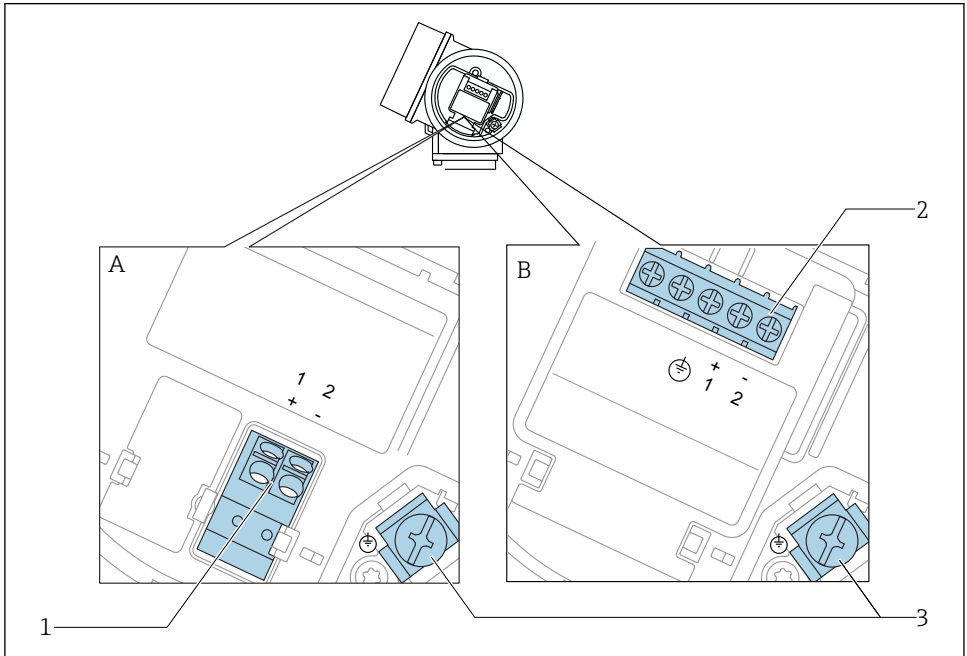
<input type="checkbox"/>	Is the device undamaged (visual inspection)?
<input type="checkbox"/>	Does the device conform to the measuring point specifications? For example: <ul style="list-style-type: none"> <li>▪ Process temperature</li> <li>▪ Process pressure (refer to the chapter on "Material load curves" of the "Technical Information" document)</li> <li>▪ Ambient temperature range</li> <li>▪ Measuring range</li> </ul>
<input type="checkbox"/>	Are the measuring point identification and labeling correct (visual inspection)?
<input type="checkbox"/>	Is the device adequately protected from precipitation and direct sunlight?
<input type="checkbox"/>	Are the securing screw and securing clamp tightened securely?

## 7 Electrical connection

### 7.1 Connection conditions

#### 7.1.1 Terminal assignment

##### Terminal assignment 2-wire: 4-20 mA HART



A0036498

##### 6 Terminal assignment 2-wire: 4-20 mA HART

A Without integrated overvoltage protection

B With integrated overvoltage protection

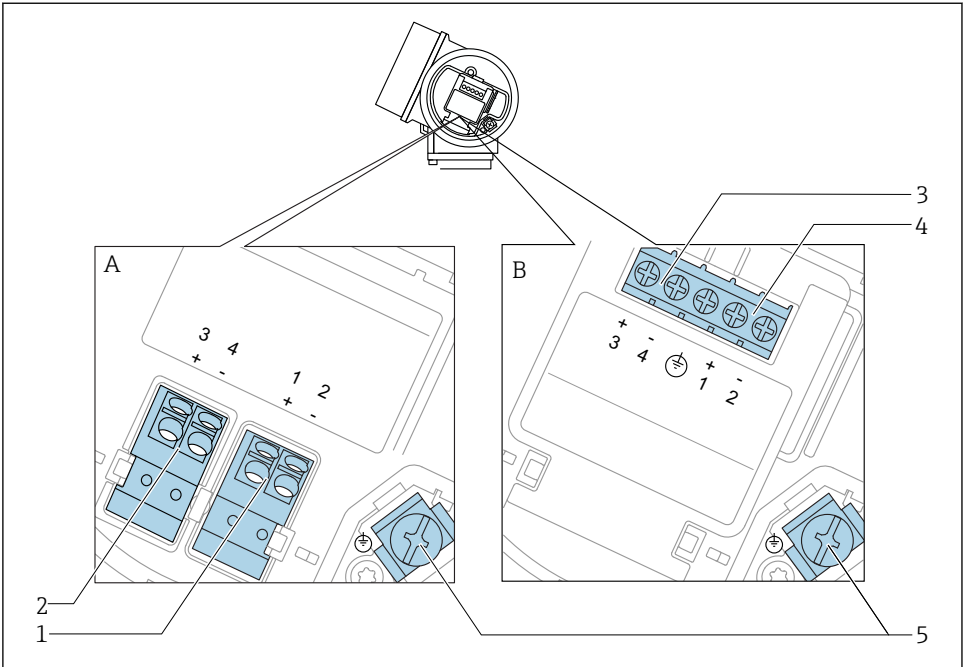
1 Connection 4-20 mA HART passive: terminals 1 and 2, without integrated overvoltage protection

2 Connection 4-20 mA HART passive: terminals 1 and 2, with integrated overvoltage protection

3 Terminal for cable screen



### Terminal assignment 2-wire: 4-20 mA HART, switch output



A0036500

**8** Terminal assignment 2-wire: 4-20 mA HART, switch output

A Without integrated overvoltage protection

B With integrated overvoltage protection

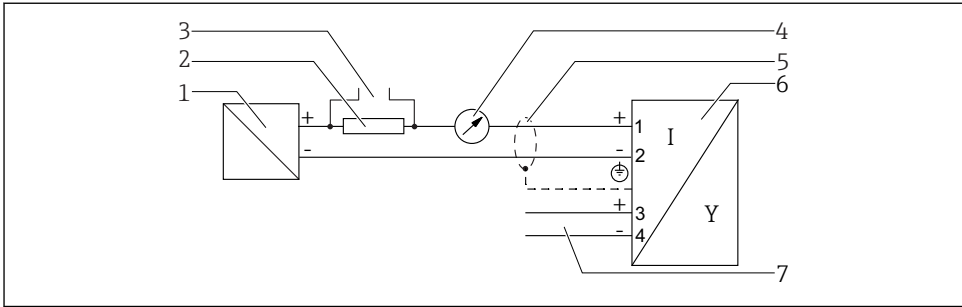
1 Connection 4-20 mA HART passive: terminals 1 and 2, without integrated overvoltage protection

2 Connection switch output (Open Collector): terminals 3 and 4, without integrated overvoltage protection

3 Connection switch output (Open Collector): terminals 3 and 4, with integrated overvoltage protection

4 Connection 4-20 mA HART passive: terminals 1 and 2, with integrated overvoltage protection

5 Terminal for cable screen

**Block diagram 2-wire: 4-20 mA HART, switch output**

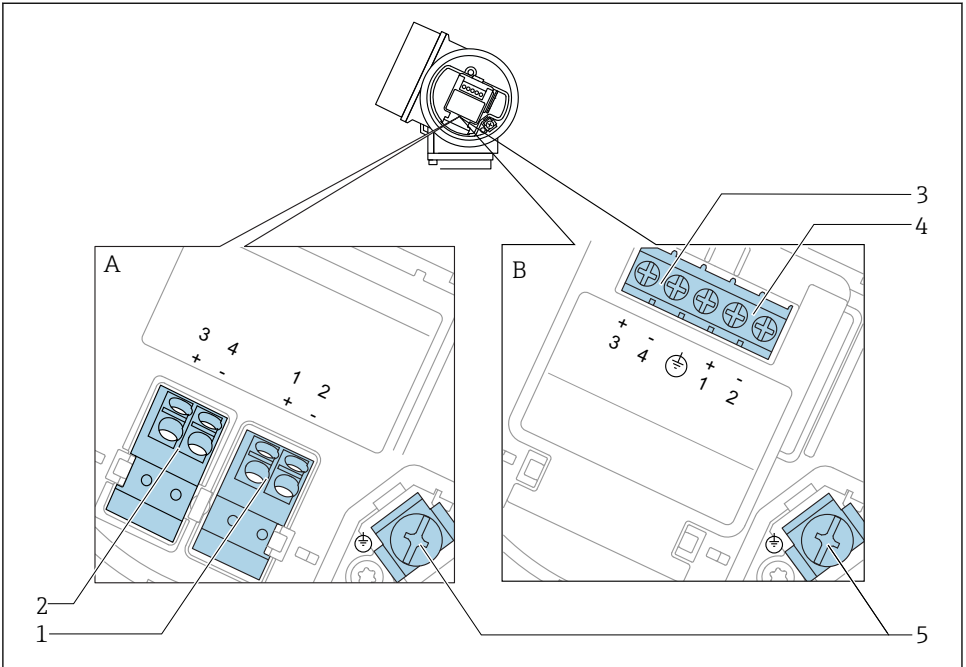
A0036501

**9** *Block diagram 2-wire: 4-20 mA HART, switch output*

- 1 Active barrier with power supply (e.g. RN221N); observe terminal voltage
- 2 HART communication resistor ( $\geq 250 \Omega$ ); observe maximum load
- 3 Connection for Commubox FXA195 or FieldXpert SFX350/SFX370 (via VIATOR Bluetooth modem)
- 4 Analog display device; observe maximum load
- 5 Cable screen; observe cable specification
- 6 Measuring device
- 7 Switch output (Open Collector)



**Terminal assignment 2-wire: 4-20 mA HART, 4-20 mA**



A0036500

**10 Terminal assignment 2-wire: 4-20 mA HART, 4-20 mA**

A Without integrated overvoltage protection

B With integrated overvoltage protection

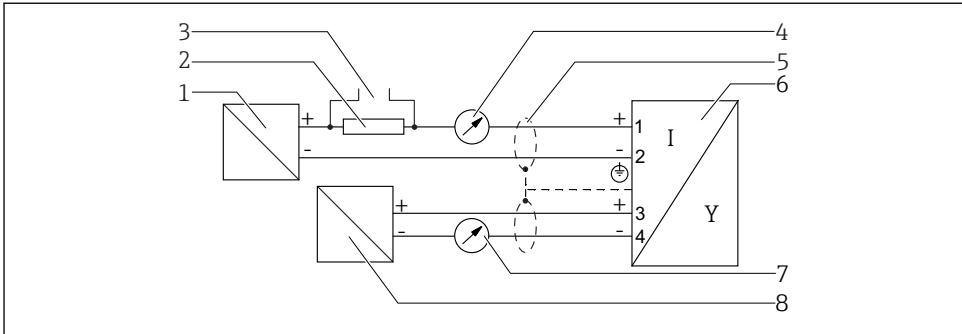
1 Connection current output 1, 4-20 mA HART passive: terminals 1 and 2, without integrated overvoltage protection

2 Connection current output 2, 4-20 mA: terminals 3 and 4, without integrated overvoltage protection

3 Connection current output 2, 4-20 mA: terminals 3 and 4, with integrated overvoltage protection

4 Connection current output 1, 4-20 mA HART passive: terminals 1 and 2, with integrated overvoltage protection

5 Terminal for cable screen

**Block diagram 2-wire: 4-20 mA HART, 4-20 mA**

A0036502

**11 Block diagram 2-wire: 4-20 mA HART, 4-20 mA**

- 1 Active barrier with power supply (e.g. RN221N); observe terminal voltage
- 2 HART communication resistor ( $\geq 250 \Omega$ ); observe maximum load
- 3 Connection for Commubox FXA195 or FieldXpert SFX350/SFX370 (via VIATOR Bluetooth modem)
- 4 Analog display device; observe maximum load
- 5 Cable screen; observe cable specification
- 6 Measuring device
- 7 Analog display device; observe maximum load
- 8 Active barrier with power supply (e.g. RN221N), current output 2; observe terminal voltage

### 7.1.2 Device plug connectors



For the versions with fieldbus plug connector (M12 or 7/8"), the signal line can be connected without opening the housing.

#### Pin assignment of the M12 plug connector

<p style="text-align: right; font-size: small;">A0011175</p>	Pin	Meaning
	1	Signal +
	2	not connected
	3	Signal -
	4	Ground

#### Pin assignment of the 7/8" plug connector

<p style="text-align: right; font-size: small;">A0011176</p>	Pin	Meaning
	1	Signal -
	2	Signal +
	3	Not connected
	4	Screen

### 7.1.3 Supply voltage

#### 2-wire, 4-20 mA HART, passive

"Power supply, output" <sup>1)</sup>	"Approval" <sup>2)</sup>	Terminal voltage U at device	Maximum load R, depending on the supply voltage U <sub>0</sub> of the power supply unit
<b>A:</b> 2-wire; 4-20 mA HART	<ul style="list-style-type: none"> <li>▪ Non-hazardous</li> <li>▪ Ex nA</li> <li>▪ Ex ic</li> <li>▪ CSA GP</li> </ul>	14 to 35 V <sup>3)</sup>	R [Ω] 
	Ex ia / IS	14 to 30 V <sup>3)</sup>	
	<ul style="list-style-type: none"> <li>▪ Ex d(ia) / XP</li> <li>▪ Ex ic(ia)</li> <li>▪ Ex nA(ia)</li> <li>▪ Ex ta / DIP</li> </ul>	14 to 35 V <sup>3)4)</sup>	
	Ex ia + Ex d(ia) / IS + XP	14 to 30 V <sup>3)</sup>	

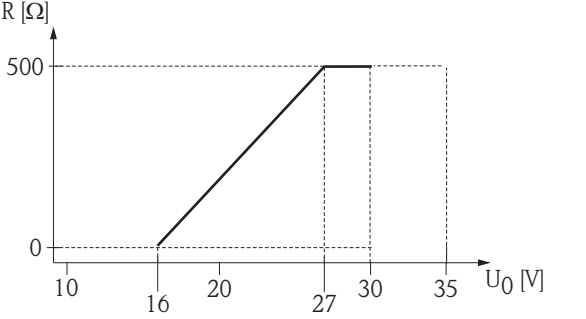
A0031745

- 1) Feature O20 in the product structure
- 2) Feature O10 in the product structure
- 3) If the Bluetooth modem is used, the minimum supply voltage increases by 2 V.
- 4) At ambient temperatures  $TT_a \leq -20\text{ }^\circ\text{C}$ , a terminal voltage  $U \geq 16\text{ V}$  is required to start the device with the minimum failure current (3.6 mA).

"Power supply, output" <sup>1)</sup>	"Approval" <sup>2)</sup>	Terminal voltage U at device	Maximum load R, depending on the supply voltage U <sub>0</sub> of the power supply unit
<b>B:</b> 2-wire; 4-20 mA HART, switch output	<ul style="list-style-type: none"> <li>▪ Non-hazardous</li> <li>▪ Ex nA</li> <li>▪ Ex nA(ia)</li> <li>▪ Ex ic</li> <li>▪ Ex ic(ia)</li> <li>▪ Ex d(ia) / XP</li> <li>▪ Ex ta / DIP</li> <li>▪ CSA GP</li> </ul>	16 to 35 V <sup>3)</sup>	R [Ω] 
	<ul style="list-style-type: none"> <li>▪ Ex ia / IS</li> <li>▪ Ex ia + Ex d(ia) / IS + XP</li> </ul>	16 to 30 V <sup>3)</sup>	

A0031746

- 1) Feature O20 in the product structure
- 2) Feature O10 in the product structure
- 3) If the Bluetooth modem is used, the minimum supply voltage increases by 2 V.

"Power supply, output" <sup>1)</sup>	"Approval" <sup>2)</sup>	Terminal voltage U at device	Maximum load R, depending on the supply voltage U <sub>0</sub> of the power supply unit
<b>C:</b> 2-wire; 4-20 mA HART, 4-20 mA	All	16 to 30 V <sup>3)</sup>	 <p style="text-align: right; font-size: small;">A0031746</p>

- 1) Feature 020 in the product structure
- 2) Feature 010 in the product structure
- 3) If the Bluetooth modem is used, the minimum supply voltage increases by 2 V.

Integrated polarity reversal protection	Yes
Permitted residual ripple with f = 0 to 100 Hz	U <sub>SS</sub> < 1 V
Permitted residual ripple with f = 100 to 10 000 Hz	U <sub>SS</sub> < 10 mV

### 7.1.4 Overvoltage protection

If the measuring device is used for level measurement in flammable liquids which requires the use of overvoltage protection according to DIN EN 60079-14, standard for test procedures 60060-1 (10 kA, pulse 8/20 μs), an overvoltage protection module has to be installed.

#### Integrated overvoltage protection module

An integrated overvoltage protection module is available for 2-wire HART devices.

Product structure: Feature 610 "Accessory mounted", option NA "Overvoltage protection".

Technical data	
Resistance per channel	2 × 0.5 Ω max.
Threshold DC voltage	400 to 700 V
Threshold impulse voltage	< 800 V
Capacitance at 1 MHz	< 1.5 pF
Nominal arrest impulse voltage (8/20 μs)	10 kA

## External overvoltage protection module

HAW562 or HAW569 from Endress+Hauser are suited as external overvoltage protection.

### 7.1.5 Connecting the measuring device

#### **⚠ WARNING**

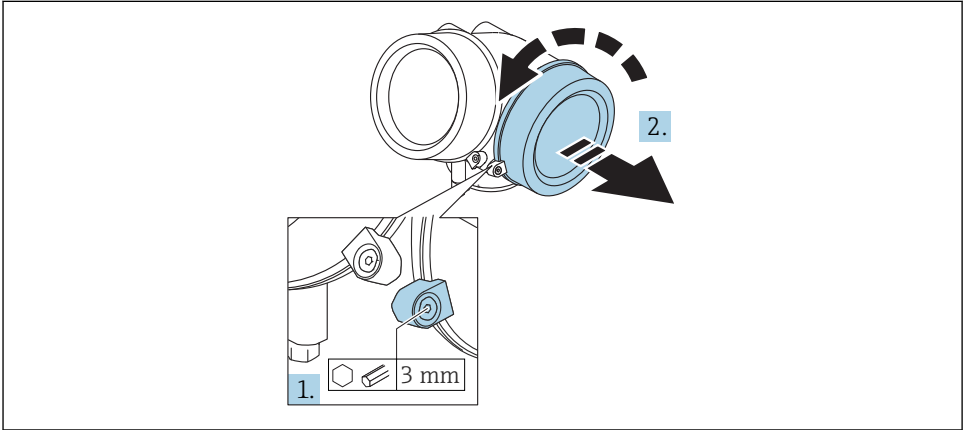
#### Risk of explosion!

- ▶ Observe applicable national standards.
- ▶ Comply with the specifications in the Safety Instructions (XA).
- ▶ Use specified cable glands only.
- ▶ Check to ensure that the power supply matches the information on the nameplate.
- ▶ Switch off the power supply before connecting the device.
- ▶ Connect the potential matching line to the outer ground terminal before applying the power supply.

#### Required tools/accessories:

- For devices with a cover lock: Allen key AF3
- Wire stripper
- When using stranded cables: One ferrule for every wire to be connected.

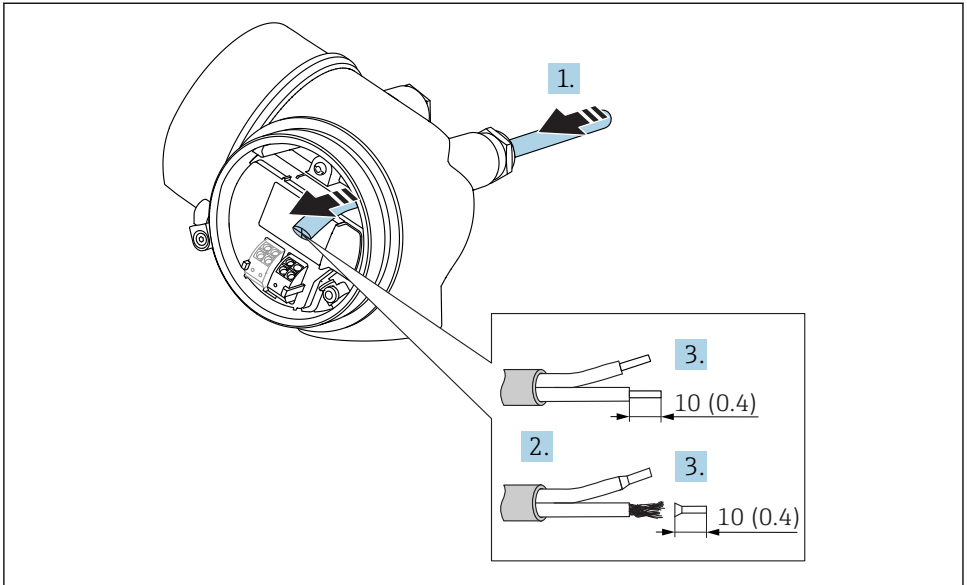
#### Opening connection compartment cover



A0021490

1. Loosen the screw of the securing clamp of the connection compartment cover using an Allen key (3 mm) and turn the clamp 90° clockwise.
2. Afterwards unscrew connection compartment cover and check lid gasket, replace if necessary.

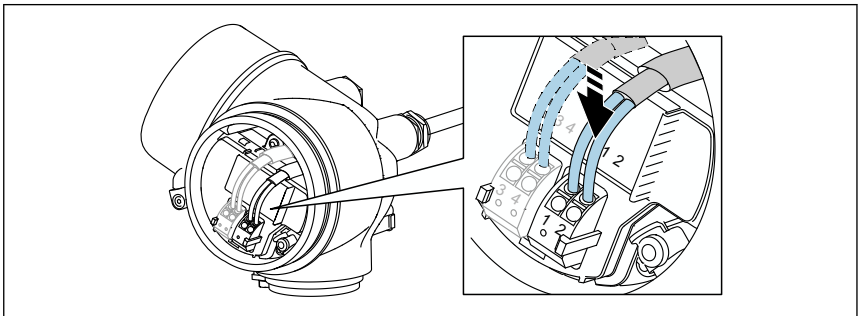
## Connecting



A0036418

12 Dimensions: mm (in)

1. Push the cable through the cable entry. To ensure tight sealing, do not remove the sealing ring from the cable entry.
2. Remove the cable sheath.
3. Strip the cable ends over a length of 10 mm (0.4 in). In the case of stranded cables, also fit ferrules.
4. Firmly tighten the cable glands.
5. Connect the cable in accordance with the terminal assignment.

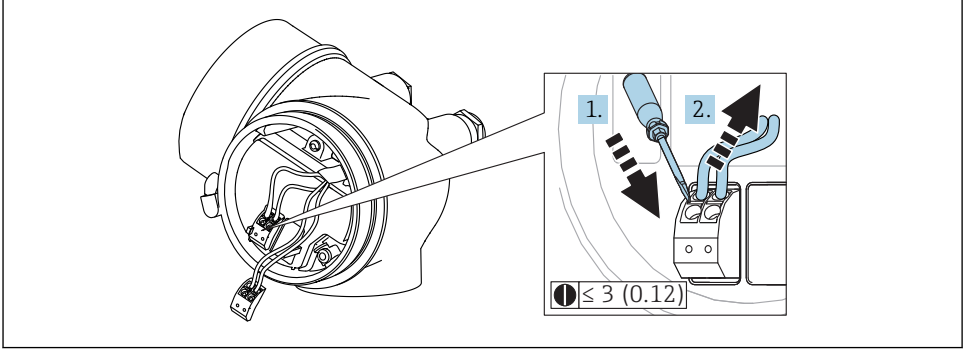


A0034682


6. If using shielded cables: Connect the cable shield to the ground terminal.

### Plug-in spring-force terminals

In the case of devices without integrated overvoltage protection, electrical connection is via plug-in spring-force terminals. Rigid conductors or flexible conductors with ferrules can be inserted directly into the terminal without using the lever, and create a contact automatically.



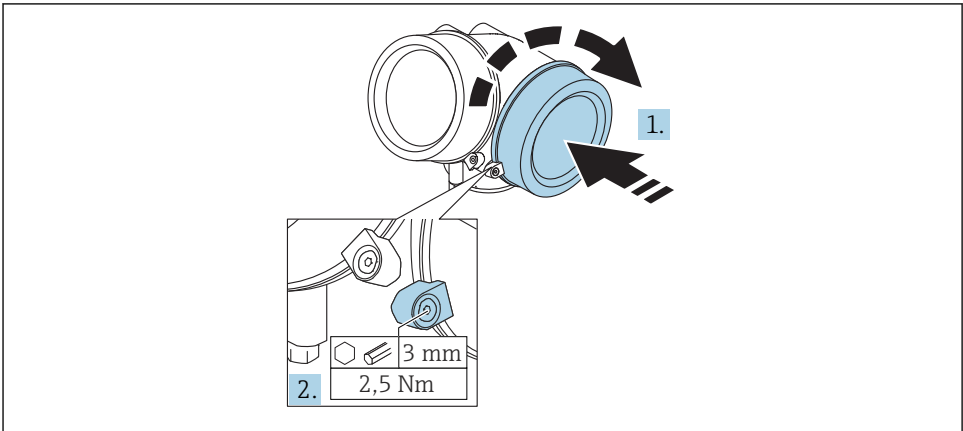
A0013661

 13 Dimensions: mm (in)

To remove cables from the terminal:

1. Using a flat-blade screwdriver  $\leq 3$  mm, press down on the slot between the two terminal holes
2. while simultaneously pulling the cable end out of the terminal.

### Closing connection compartment cover



A0021491

1. Screw back firmly connection compartment cover.



2. Turning securing clamp 90 ° counterclockwise and tighten the clamp with 2.5 Nm (1.84 lbf ft) again using the Allen key (3 mm).

### 7.1.6 Post-connection check

<input type="checkbox"/>	Is the device or cable undamaged (visual check)?
<input type="checkbox"/>	Do the cables comply with the requirements ?
<input type="checkbox"/>	Do the cables have adequate strain relief?
<input type="checkbox"/>	Are all cable glands installed, securely tightened and leak-tight?
<input type="checkbox"/>	Does the supply voltage match the specifications on the nameplate?
<input type="checkbox"/>	Is the terminal assignment correct?
<input type="checkbox"/>	If required: Has protective ground connection been established ?
<input type="checkbox"/>	If supply voltage is present, is the device ready for operation and do values appear on the display module?
<input type="checkbox"/>	Are all housing covers installed and securely tightened?
<input type="checkbox"/>	Is the securing clamp tightened correctly?

## 8 Commissioning via SmartBlue (app)

### 8.1 Requirements

#### Device requirements

Commissioning via SmartBlue is only possible if the device has a Bluetooth module.

#### System requirements SmartBlue

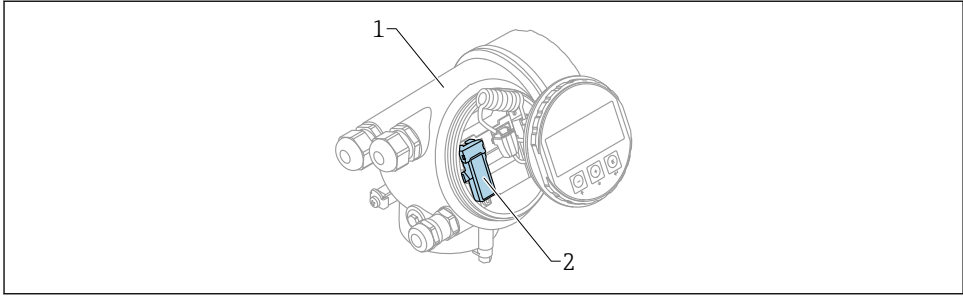
SmartBlue is available as download for Android devices from the Google Play Store and for iOS devices from the iTunes Store.

- iOS devices:  
iPhone 4S or higher from iOS9.0; iPad2 or higher from iOS9.0; iPod Touch 5th generation or higher from iOS9.0
- Devices with Android:  
from Android 4.4 KitKat and *Bluetooth*® 4.0

#### Initial password

The ID of the Bluetooth module serves as the initial password used to establish the first connection to the device. It can be found:

- on the information sheet which is supplied with the device. This serial number specific sheet is also stored in W@M.
- on the nameplate of the Bluetooth module.



A0036790

#### 14 Device with Bluetooth module

- 1 Electronics housing of the device
- 2 Nameplate of the Bluetooth module; the ID on this nameplate serves as initial password.

**i** All login data (including the password changed by the user) are not stored in the device but in the Bluetooth module. This must be taken into account when the module is removed from one device and inserted into a different device.

## 8.2 Commissioning

Download and install SmartBlue

1. To download the app, scan the QR code or enter "SmartBlue" in the search field



A0033202

#### 15 Download link

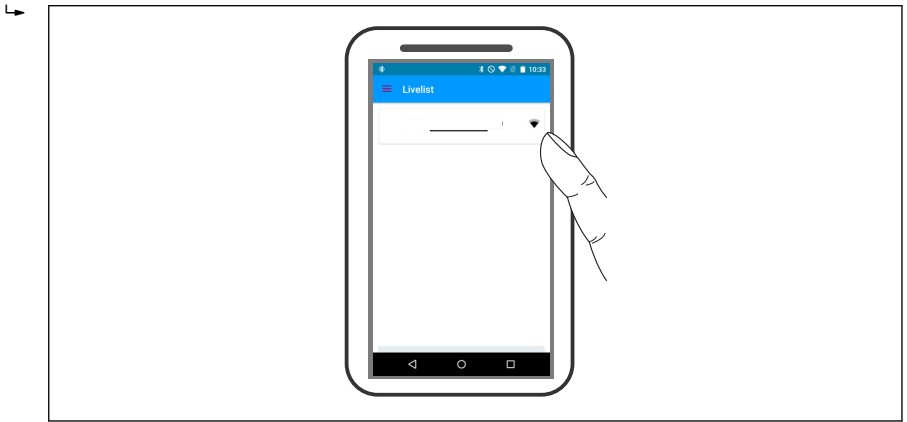
2. Start SmartBlue




A0029747


#### 16 SmartBlue pictogram

### 3. Select device from displayed livelist (available devices only)

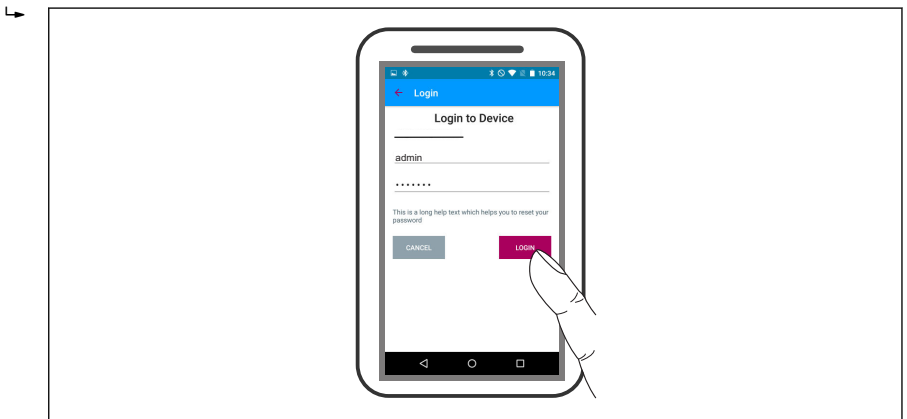


A0029502

 17 Livelist

 Only one point-to-point connection can be established between **one** sensor and **one** smartphone or tablet.

### 4. Perform login

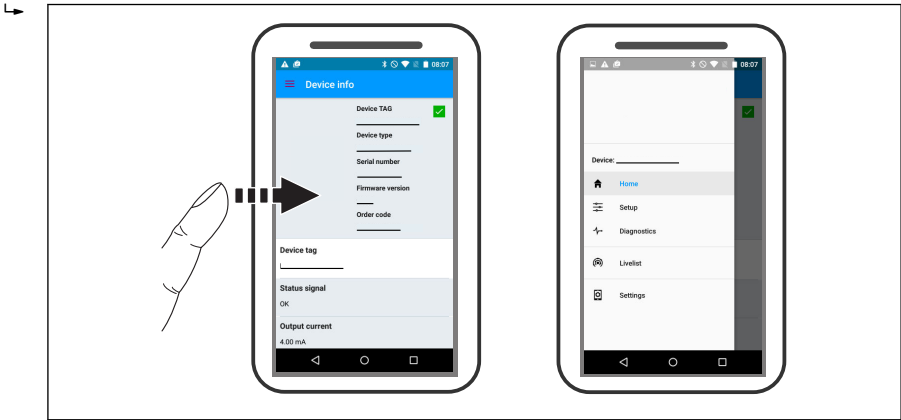


A0029503

 18 Login

5. Enter user name -> admin
6. Enter initial password -> ID of the Bluetooth module
7. Change the password after logging in for the first time

8. By wiping from the side, additional information (e.g. main menu) can be dragged into the image



A0029504

19 Main menu

**i** Envelope curves can be displayed and recorded

**Additionally to the envelope curve, the following values are displayed:**

- D = Distance
- L = Level
- A = Absolute amplitude
- In the case of screenshots, the displayed section (zoom function) is saved
- In video sequences, always the whole area without zoom function is saved

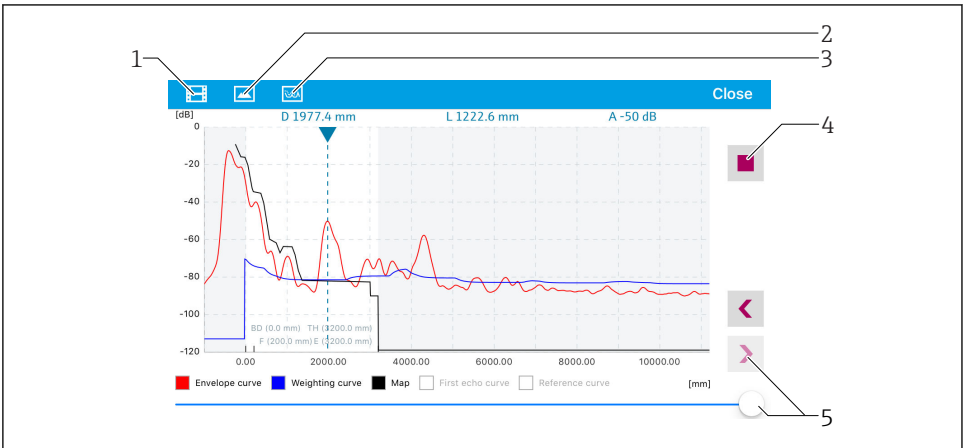
It is also possible to send envelope curves (video sequences) using the relevant smartphone or tablet functions.



A0029487

20 Envelope curve display (example) in SmartBlue; Android view

- 1 Record video
- 2 Create screenshot
- 3 Navigation to mapping menu
- 4 Start / stop video recording
- 5 Move time on time axis



A0029487

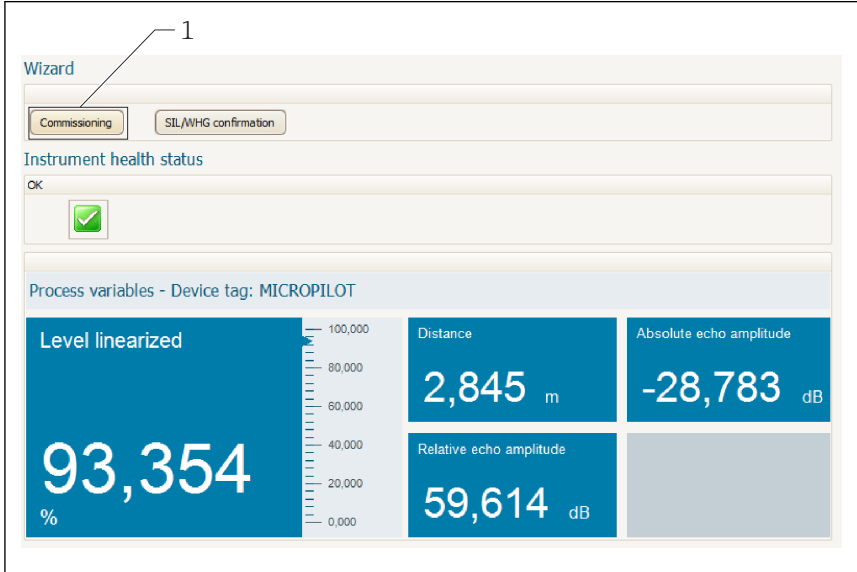
21 Envelope curve display (example) in SmartBlue; iOS view

- 1 Record video
- 2 Create screenshot
- 3 Navigation to mapping menu
- 4 Start / stop video recording
- 5 Move time on time axis

## 9 Commissioning via wizard

A wizard guiding the user through the initial setup is available in FieldCare and DeviceCare <sup>4)</sup>.

1. Connect the device to FieldCare or DeviceCare (for details refer to the "Operating options" chapter of the Operating Instructions).
2. Open the device in FieldCare or DeviceCare.
  - ↳ The dashboard (home page) of the device appears:



A0027720

1 "Commissioning" button calls up the wizard.

3. Click on "Commissioning" to call up the wizard.
4. Enter or select the appropriate value for each parameter. These values are immediately written to the device.
5. Click "Next" to switch to the next page.
6. After finishing the last page, click "End of sequence" to close the wizard.

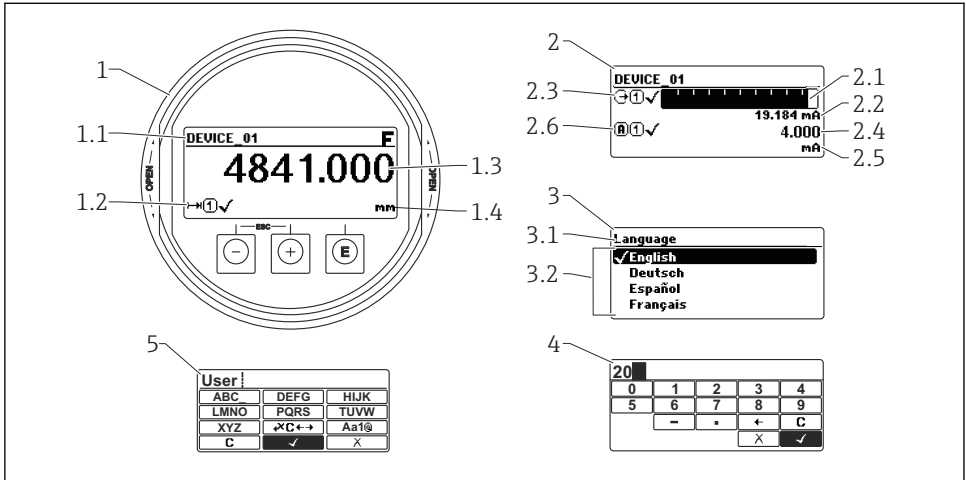
**i** If the wizard is cancelled before all necessary parameters have been set, the device may be in an undefined state. A reset to the default settings is recommended in this case.

4) DeviceCare is available for download at [www.software-products.endress.com](http://www.software-products.endress.com). The download requires a registration in the Endress+Hauser software portal.

## 10 Commissioning (via operating menu)

### 10.1 Display and operating module

#### 10.1.1 Display appearance









A0012635

#### 22 Appearance of the display and operation module for on-site operation

- 1 Measured value display (1 value max. size)
- 1.1 Header containing tag and error symbol (if an error is active)
- 1.2 Measured value symbols
- 1.3 Measured value
- 1.4 Unit
- 2 Measured value display (1 bargraph + 1 value)
- 2.1 Bargraph for measured value 1
- 2.2 Measured value 1 (including unit)
- 2.3 Measured value symbols for measured value 1
- 2.4 Measured value 2
- 2.5 Unit for measured value 2
- 2.6 Measured value symbols for measured value 2
- 3 Representation of a parameter (here: a parameter with selection list)
- 3.1 Header containing parameter name and error symbol (if an error is active)
- 3.2 Selection list;  marks the current parameter value.
- 4 Input matrix for numbers
- 5 Input matrix for alphanumeric and special characters

## 10.1.2 Operating elements

Key	Meaning
 A0018330	<p><b>Minus key</b></p> <p><i>For menu, submenu</i>            Moves the selection bar upwards in a picklist.</p> <p><i>For text and numeric editor</i>            In the input mask, moves the selection bar to the left (backwards).</p>
 A0018329	<p><b>Plus key</b></p> <p><i>For menu, submenu</i>            Moves the selection bar downwards in a picklist.</p> <p><i>For text and numeric editor</i>            In the input mask, moves the selection bar to the right (forwards).</p>
 A0018328	<p><b>Enter key</b></p> <p><i>For measured value display</i></p> <ul style="list-style-type: none"> <li>■ Pressing the key briefly opens the operating menu.</li> <li>■ Pressing the key for 2 s opens the context menu.</li> </ul> <p><i>For menu, submenu</i></p> <ul style="list-style-type: none"> <li>■ Pressing the key briefly              Opens the selected menu, submenu or parameter.</li> <li>■ Pressing the key for 2 s for parameter:              If present, opens the help text for the function of the parameter.</li> </ul> <p><i>For text and numeric editor</i></p> <ul style="list-style-type: none"> <li>■ Pressing the key briefly             <ul style="list-style-type: none"> <li>- Opens the selected group.</li> <li>- Carries out the selected action.</li> </ul> </li> <li>■ Pressing the key for 2 s confirms the edited parameter value.</li> </ul>
 A0032909	<p><b>Escape key combination (press keys simultaneously)</b></p> <p><i>For menu, submenu</i></p> <ul style="list-style-type: none"> <li>■ Pressing the key briefly             <ul style="list-style-type: none"> <li>- Exits the current menu level and takes you to the next higher level.</li> <li>- If help text is open, closes the help text of the parameter.</li> </ul> </li> <li>■ Pressing the key for 2 s returns you to the measured value display ("home position").</li> </ul> <p><i>For text and numeric editor</i>            Closes the text or numeric editor without applying changes.</p>
 A0032910	<p><b>Minus/Enter key combination (press and hold down the keys simultaneously)</b></p> <p>Reduces the contrast (brighter setting).</p>
 A0032911	<p><b>Plus/Enter key combination (press and hold down the keys simultaneously)</b></p> <p>Increases the contrast (darker setting).</p>



### 10.1.3 Opening the context menu

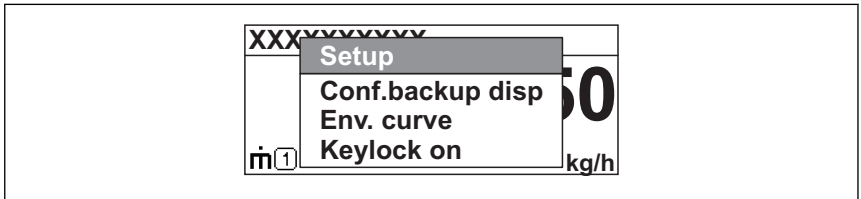
Using the context menu, the user can call up the following menus quickly and directly from the operational display:

- Setup
- Conf. backup disp.
- Env. curve
- Keylock on

#### Opening and closing the context menu

The user is in the operational display.

1. Press  $\square$  for 2 s.
  - ↳ The context menu opens.



A0033110-EN

2. Press  $\square$  +  $\oplus$  simultaneously.
  - ↳ The context menu is closed and the operational display appears.

#### Calling up the menu via the context menu

1. Open the context menu.
2. Press  $\oplus$  to navigate to the desired menu.
3. Press  $\square$  to confirm the selection.
  - ↳ The selected menu opens.

## 10.2 Operating menu

Parameter/Submenu	Meaning	Description
<b>Language</b> Setup → Advanced setup → Display → Language	Defines the operating language of the on-site display.	BA01620F (FMR67, HART)
<b>Setup</b>	When appropriate values have been assigned to all setup parameters, the measured value should be completely configured in a standard application.	
<b>Present mapping</b> Setup → Mapping → Present mapping	Interference echo suppression	
<b>Advanced setup</b> Setup → Advanced setup	Contains further submenus and parameters: <ul style="list-style-type: none"> <li>▪ to adapt the device to special measuring conditions.</li> <li>▪ to process the measured value (scaling, linearization).</li> <li>▪ to configure the signal output.</li> </ul>	
<b>Diagnostics</b>	Contains the most important parameters needed to detect and analyze operational errors.	
<b>Expert</b> <sup>1)</sup>	Contains all parameters of the device (including those which are already contained in one of the above submenus). This menu is organized according to the function blocks of the device.	GP01101F (FMR6x, HART)

- 1) By entering the "Expert" menu, an access code is always requested. If a customer specific access code has not been defined, "0000" has to be entered.

### 10.3 Unlock the device

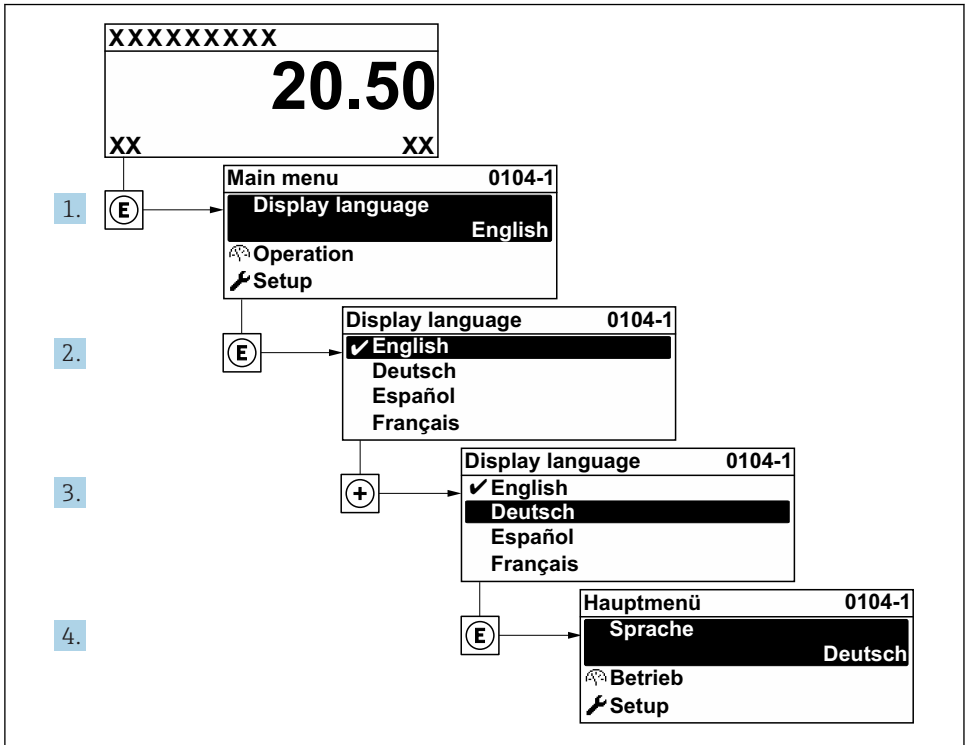
If the device has been locked, it must be be unlocked before the measurement can be configured.



For details refer to the Operating Instructions of the device:  
BA01620F (FMR67, HART)

### 10.4 Setting the operating language

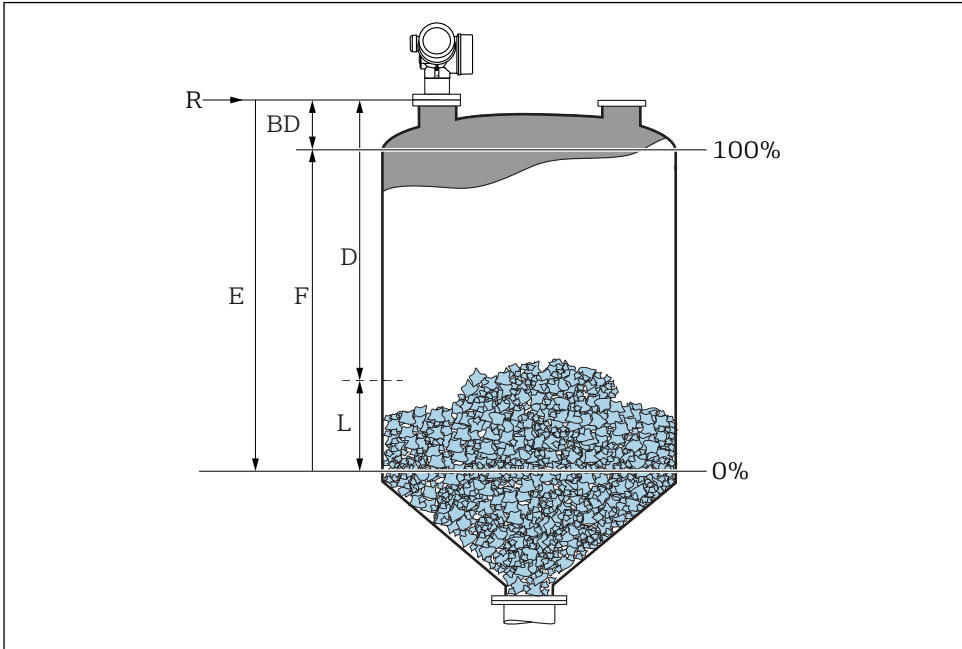
Factory setting: English or ordered local language



A0029420

23 Using the example of the local display

## 10.5 Configuration of a level measurement



A0016934

24 Configuration parameters for level measurements in bulk solids

- R* Reference point of the measurement  
*D* Distance  
*L* Level  
*E* Empty calibration (= zero)  
*F* Full calibration (= span)

1. Setup → Device tag  
↳ Enter device tag.
2. Setup → Distance unit  
↳ Select distance unit.
3. Setup → Bin type  
↳ Select bin type.
4. Setup → Max. filling speed solid  
↳ Enter maximum expected filling speed.
5. Setup → Max. draining speed solid  
↳ Enter maximum expected draining speed.

6. Setup → Empty calibration
  - ↳ Enter empty distance E (Distance from reference point R to the 0% level)
7. If the measuring range covers only an upper part of the tank or silo (E is much less than the tank/silo height), it is mandatory to enter the actual tank or silo height into the parameter. If there is an outlet cone, the tank or silo height should not be adjusted as usually E is not much less than the tank/silo height in these applications.  
Setup → Advanced setup → Level → Tank/silo height
8. Setup → Full calibration
  - ↳ Enter full distance F (Distance from the 0% to the 100% level).
9. Setup → Level
  - ↳ Indicates the measured level L.
10. Setup → Distance
  - ↳ Indicates the measured distance from the reference point R to the level L.
11. Setup → Signal quality
  - ↳ Indicates the quality of the evaluated level echo.
12. Setup → Mapping → Confirm distance
  - ↳ Compare distance indicated on the display to real distance in order to start the recording of an interference echo map.
13. Setup → Advanced setup → Level → Level unit
  - ↳ Select level unit: %, m, mm, ft, in (Factory setting: %)



It is strongly recommended to adjust the maximum filling and draining speed to the actual process.

## 10.6 User-specific applications



For details of setting the parameters of user-specific applications, see separate documentation:  
BA01620F (FMR67, HART)



For the **Expert** menu see:  
GP01101F (Description of Device Parameters, FMR6x, HART)







71394733

[www.addresses.endress.com](http://www.addresses.endress.com)

---