

# Technical Information

## Proline Promag 53E

### Electromagnetic flowmeter



## The economical flowmeter with flexible system integration

### Application

- The measuring principle is virtually independent of pressure, density, temperature and viscosity
- Fully suitable for basic applications in the chemical and process industry

### Device properties

- Nominal diameter: max. DN 600 (24")
- Ex approvals for Zone 2
- Liner made of PTFE
- 4-line backlit display with touch control
- Device in compact or remote version
- HART, PROFIBUS DP/PA, Modbus RS485, FF, EtherNet/IP

### Your benefits

- Cost-effective sensor – ideal solution for basic requirements
- Energy-saving flow measurement – no pressure loss due to cross-section constriction
- Maintenance-free – no moving parts
- Quality – software for filling & dosing, density, electrode cleaning and also advanced diagnostics
- Easy calculation – bidirectional totalizers
- Automatic recovery of data for servicing

## Table of contents

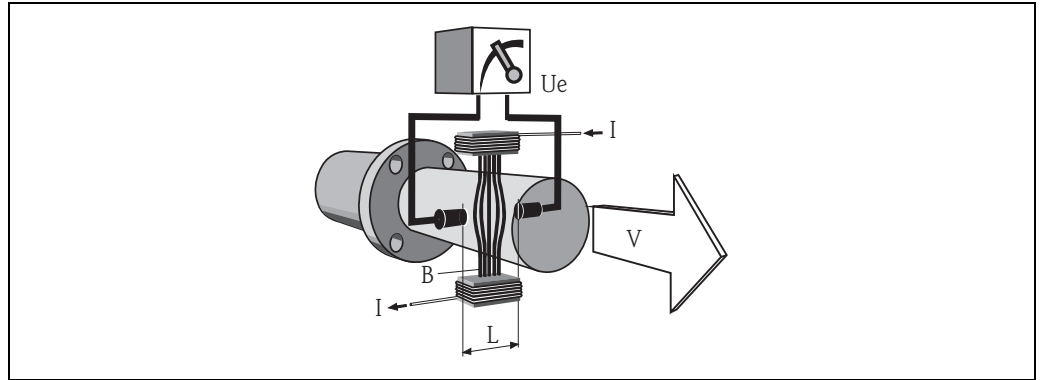
<b>Function and system design</b> .....	<b>3</b>	<b>Mechanical construction</b> .....	<b>22</b>
Measuring principle .....	3	Design, dimensions .....	22
Measuring system .....	3	Weight .....	34
<b>Input</b> .....	<b>4</b>	Measuring tube specifications .....	36
Measured variable .....	4	Material .....	36
Measuring ranges .....	4	Fitted electrodes .....	36
Operable flow range .....	4	Process connections .....	37
Input signal .....	4	Surface roughness .....	37
<b>Output</b> .....	<b>4</b>	<b>Operability</b> .....	<b>37</b>
Output signal .....	4	Display elements .....	37
Signal on alarm .....	5	Operating elements .....	37
Load .....	5	Language groups .....	37
Low flow cutoff .....	5	Remote operation .....	37
Galvanic isolation .....	5	<b>Certificates and approvals</b> .....	<b>37</b>
Switching output .....	5	CE mark .....	37
<b>Power supply</b> .....	<b>6</b>	C-tick mark .....	37
Electrical connection, measuring unit .....	6	Pressure measuring device approval .....	37
Electrical connection, terminal assignment .....	7	Ex approval .....	38
Electrical connection, remote version .....	8	Other standards and guidelines .....	38
Supply voltage (power supply) .....	8	PROFIBUS DP/PA certification .....	38
Cable entry .....	8	Modbus RS485 certification .....	38
Cable specifications, remote version .....	8	FOUNDATION Fieldbus certification .....	38
Power consumption .....	9	<b>Ordering information</b> .....	<b>39</b>
Power supply failure .....	9	<b>Accessories</b> .....	<b>39</b>
Potential equalization .....	9	<b>Documentation</b> .....	<b>39</b>
<b>Performance characteristics</b> .....	<b>11</b>	<b>Registered trademarks</b> .....	<b>39</b>
Reference operating conditions .....	11		
Maximum measured error .....	11		
Repeatability .....	11		
<b>Installation</b> .....	<b>12</b>		
Mounting location .....	12		
<b>Orientation</b> .....	<b>13</b>		
Inlet and outlet run .....	15		
Adapters .....	15		
Length of connecting cable .....	16		
<b>Environment</b> .....	<b>17</b>		
Ambient temperature range .....	17		
Storage temperature .....	17		
Degree of protection .....	17		
Shock and vibration resistance .....	17		
Electromagnetic compatibility (EMC) .....	17		
<b>Process</b> .....	<b>18</b>		
Medium temperature range .....	18		
Conductivity .....	18		
Pressure-temperature ratings .....	18		
Medium pressure range (nominal pressure) .....	19		
Pressure tightness .....	20		
Limiting flow .....	20		
Pressure loss .....	21		

## Function and system design

### Measuring principle

Following *Faraday's law of magnetic induction*, a voltage is induced in a conductor moving through a magnetic field.

In the electromagnetic measuring principle, the flowing medium is the moving conductor. The voltage induced is proportional to the flow velocity and is supplied to the amplifier by means of two measuring electrodes. The flow volume is calculated by means of the pipe cross-sectional area. The DC magnetic field is created through a switched direct current of alternating polarity.



$$U_e = B \cdot L \cdot v$$

$$Q = A \cdot v$$

$U_e$	Induced voltage
$B$	Magnetic induction (magnetic field)
$L$	Electrode spacing
$v$	Flow velocity
$Q$	Volume flow
$A$	Pipe cross-section
$I$	Current strength

### Measuring system

The measuring system consists of a transmitter and a sensor.

Two versions are available:

- Compact version: Transmitter and sensor form a mechanical unit.
- Remote version: Sensor is mounted separate from the transmitter.

Transmitter:

- "Touch Control" without opening the housing, four-line display, unilluminated

Sensor:

- DN 15 to 600 (½ to 24")

## Input

<b>Measured variable</b>	Flow velocity (proportional to induced voltage)
<b>Measuring ranges</b>	Measuring ranges for liquids Typically $v = 0.01$ to $10$ m/s ( $0.03$ to $33$ ft/s) with the specified accuracy
<b>Operable flow range</b>	Over $1000 : 1$
<b>Input signal</b>	<p>Status input (auxiliary input)</p> <ul style="list-style-type: none"> <li>▪ <math>U = 3</math> to <math>30</math> V DC, <math>R_i = 5</math> k<math>\Omega</math>, galvanically isolated</li> <li>▪ Configurable for: totalizer(s) reset, measured value suppression, error-message reset</li> </ul> <p>Status input (auxiliary input) with PROFIBUS DP and Modbus RS485</p> <ul style="list-style-type: none"> <li>▪ <math>U = 3</math> to <math>30</math> V DC, <math>R_i = 3</math> k<math>\Omega</math>, galvanically isolated</li> <li>▪ Switching level: <math>3</math> to <math>30</math> V DC, independent of polarity</li> <li>▪ Configurable for: totalizer(s) reset, measured value suppression, error-message reset, batching start/stop (optional), batch totalizer reset (optional)</li> </ul> <p>Current input</p> <ul style="list-style-type: none"> <li>▪ active/passive selectable, galvanically isolated, full scale value selectable, resolution: <math>3</math> <math>\mu</math>A, temperature coefficient: typ. <math>0.005\%</math> o.r./<math>^{\circ}</math>C (o.r. = of reading)</li> <li>▪ active: <math>4</math> to <math>20</math> mA, <math>R_i \leq 150</math> <math>\Omega</math>, max. <math>24</math> V DC, short-circuit-proof</li> <li>▪ passive: <math>0/4</math> to <math>20</math> mA, <math>R_i &lt; 150</math> <math>\Omega</math>, max. <math>30</math> V DC</li> </ul>

## Output

<b>Output signal</b>	<p><b>Current output</b></p> <p>active/passive selectable, galvanically isolated, time constant selectable (<math>0.01</math> to <math>100</math> s), full scale value selectable, temperature coefficient: typ. <math>0.005\%</math> o.r./<math>^{\circ}</math>C (o.r. = of reading), resolution: <math>0.5</math> mA</p> <ul style="list-style-type: none"> <li>▪ active: <math>0/4</math> to <math>20</math> mA, <math>R_L &lt; 700</math> <math>\Omega</math> (HART: <math>R_L \geq 250</math> <math>\Omega</math>)</li> <li>▪ passive: <math>4</math> to <math>20</math> mA, operating voltage <math>V_S</math>: <math>18</math> to <math>30</math> V DC, <math>R_i \geq 150</math> <math>\Omega</math></li> </ul> <p><b>Pulse/frequency output</b></p> <p>active/passive selectable, galvanically isolated (Ex i version: only passive)</p> <ul style="list-style-type: none"> <li>▪ active: <math>24</math> V DC, <math>25</math> mA (max. <math>250</math> mA during <math>20</math> ms), <math>R_L &gt; 100</math> <math>\Omega</math></li> <li>▪ passive: open collector, <math>30</math> V DC, <math>250</math> mA</li> <li>▪ Frequency output: full scale frequency <math>2</math> to <math>10000</math> Hz (<math>f_{max} = 12500</math> Hz), EEx-ia: <math>2</math> to <math>5000</math> Hz; on/off ratio <math>1:1</math>, pulse width max. <math>10</math> s</li> <li>▪ Pulse output: pulse value and pulse polarity selectable, max. pulse width configurable (<math>0.05</math> to <math>2000</math> ms)</li> </ul> <p><b>PROFIBUS DP interface</b></p> <ul style="list-style-type: none"> <li>▪ Transmission technology (Physical Layer): RS485 in accordance with ASME/TIA/EIA-485-A: 1998, galvanically isolated</li> <li>▪ Profil version 3.0</li> <li>▪ Data transmission rate: <math>9,6</math> kBaud to <math>12</math> MBaud</li> <li>▪ Automatic data transmission rate recognition</li> <li>▪ Function blocks: <math>2 \times</math> analog Input, <math>3 \times</math> totalizer</li> <li>▪ Output data: volume flow, calculated mass flow, totalizer <math>1</math> to <math>3</math></li> <li>▪ Input data: positive zero return (ON/OFF), totalizer control, value for local display</li> <li>▪ Cyclic data transmission compatible with previous model Promag 33</li> <li>▪ Bus address adjustable via miniature switches or local display (optional) at the measuring device</li> <li>▪ Available output combination → 7</li> </ul> <p><b>PROFIBUS PA interface</b></p> <ul style="list-style-type: none"> <li>▪ Transmission technology (Physical Layer): IEC 61158-2 (MBP), galvanically isolated</li> <li>▪ Profil version 3.0</li> <li>▪ Current consumption: <math>11</math> mA</li> <li>▪ Permissible supply voltage: <math>9</math> to <math>32</math> V</li> <li>▪ Bus connection with integrated reverse polarity protection</li> <li>▪ Error current FDE (Fault Disconnection Electronic): <math>0</math> mA</li> </ul>
----------------------	--

- Function blocks: 2 × analog input, 3 × totalizer
- Output data: volume flow, calculated mass flow, totalizer 1 to 3
- Input data: positive zero return (ON/OFF), totalizer control, value for local display
- Cyclic data transmission compatible with previous model Promag 33
- Bus address adjustable via miniature switches or local display (optional) at the measuring device

**Modbus RS485 interface**

- Transmission technology (Physical Layer): RS485 in accordance with ASME/TIA/EIA-485-A: 1998, galvanically isolated
- Modbus device type: Slave
- Address range: 1 to 247
- Bus address adjustable via miniature switches or local display (optional) at the measuring device
- Supported Modbus function codes: 03, 04, 06, 08, 16, 23
- Broadcast: supported with the function codes 06, 16, 23
- Übertragungsmodus: RTU oder ASCII
- Supported baudrate: 1200, 2400, 4800, 9600, 19200, 38400, 57600, 115200 Baud
- Response time:
  - Direct data access = typically 25 to 50 ms
  - Auto-scan buffer (data range) = typically 3 to 5 ms
- Available output combination → 7

**FOUNDATION Fieldbus interface**

- FOUNDATION Fieldbus H1
- Transmission technology (Physical Layer): IEC 61158-2 (MBP), galvanically isolated
- ITK version 5.01
- Current consumption: 12 mA
- Error current FDE (Fault Disconnection Electronic): 0 mA
- Bus connection with integrated reverse polarity protection
- Function blocks:
  - 5 × Analog Input (execution time: 18 ms each)
  - 1 × PID (25 ms)
  - 1 × Digital Output (18 ms)
  - 1 × Signal Characterizer (20 ms)
  - 1 × Input Selector (20 ms)
  - 1 × Arithmetic (20 ms)
  - 1 × Integrator (18 ms)
- Output data: volume flow, calculated mass flow, temperature, totalizer 1 to 3
- Input data: positive zero return (ON/OFF), reset totalizer
- Link Master (LM) functionality is supported

---

**Signal on alarm**

- Current output → failure response selectable (e.g. in accordance with NAMUR recommendation NE 43)
- Pulse/frequency output → failure response selectable
- Relay output → de-energized by fault or power supply failure

---

**Load**

see "Output signal"

---

**Low flow cutoff**

Switch points for low flow cutoff are selectable.

---

**Galvanic isolation**

All circuits for inputs, outputs and power supply are galvanically isolated from each other.

---

**Switching output**

Status output

Open collector, max. 30 V DC / 250 mA, galvanically isolated.

Configurable for: error messages, Empty Pipe Detection (EPD), flow direction, limit values.

Relay outputs

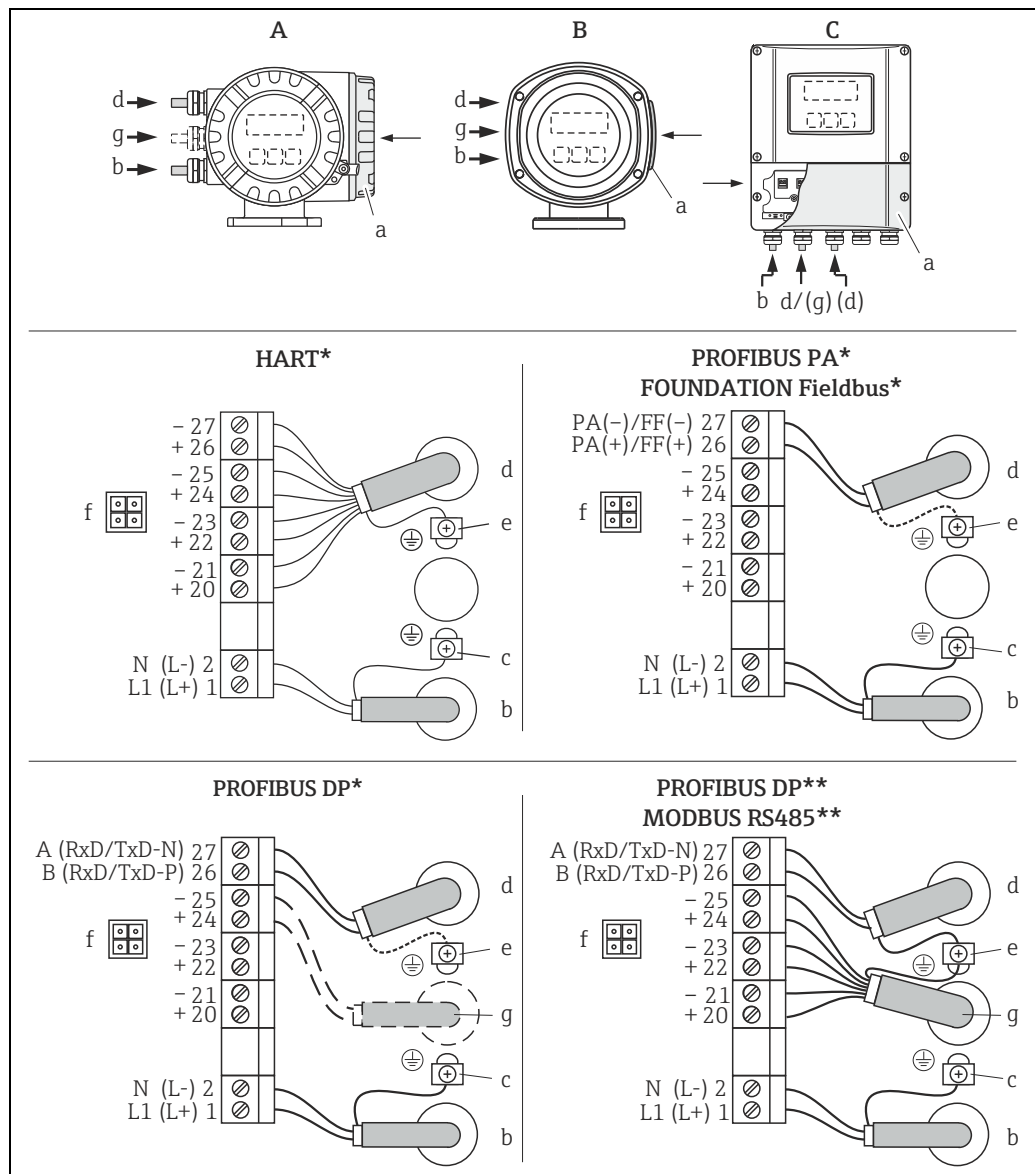
Normally closed (NC or break) or normally open (NO or make) contacts available

(default: relay 1 = NO, relay 2 = NC), max. 30 V / 0,5 A AC ; 60 V / 0,1 A DC, galvanically isolated.

Configurable for: error messages, Empty Pipe Detection (EPD), flow direction, limit values, batching contacts.

## Power supply

Electrical connection,  
measuring unit



A0002441

Connecting the transmitter, cable cross-section max. 2.5 mm<sup>2</sup> (14 AWG)

A View A (field housing)

B View B (stainless steel field housing)

C View C (wall-mount housing)

\*) fixed communication boards

\*\*) flexible communication boards

a Connection compartment cover

b Cable for power supply: 85 to 260 V AC / 20 to 55 V AC / 16 to 62 V DC

- Terminal No. 1: L1 for AC, L+ for DC

- Terminal No. 2: N for AC, L- for DC

c Ground terminal for protective conductor

d Signal cable: see "Electrical connection, terminal assignment" → 7

Fieldbus cable:

- Terminal No. 26: DP (B) / PA + / FF + / Modbus RS485 (B) / (PA, FF: with polarity protection)

- Terminal No. 27: DP (A) / PA - / FF - / Modbus RS485 (A) / (PA, FF: with polarity protection)

e Ground terminal for signal cable shield / Fieldbus cable / RS485 line

f Service adapter for connecting service interface FXA193 (Fieldcheck, FieldCare)

g Signal cable: see "Electrical connection, terminal assignment" → 7

Cable for external termination (only for PROFIBUS DP with fixed assignment communication board):

- Terminal No. 24: +5 V

- Terminal No. 25: DGND

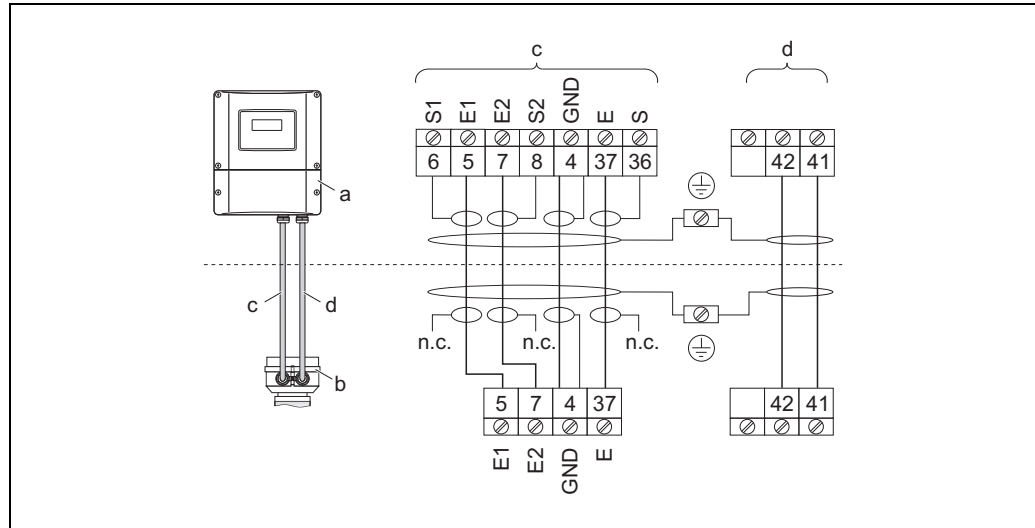
**Electrical connection,  
terminal assignment**

The inputs and outputs on the communication board can be either permanently assigned or variable, depending on the version ordered (see table). Replacements for modules which are defective or which have to be replaced can be ordered as accessories.

Order variant	Terminal No. (inputs/outputs)			
	20 (+) / 21 (-)	22 (+) / 23 (-)	24 (+) / 25 (-)	26 (+) / 27 (-)
<i>Fixed communication boards (fixed assignment)</i>				
53***_*****A	-	-	Frequency output	Current output HART
53***_*****B	Relay output 2	Relay output 1	Frequency output	Current output HART
53***_*****F	-	-	-	PROFIBUS PA, Ex i
53***_*****G	-	-	-	FOUNDATION Fieldbus, Ex i
53***_*****H	-	-	-	PROFIBUS PA
53***_*****J	-	-	-	PROFIBUS DP
53***_*****K	-	-	-	FOUNDATION Fieldbus
53***_*****Q	-	-	Status input	Modbus RS485
53***_*****S	-	-	Frequency output, Ex i	Current output, Ex i, passive, HART
53***_*****T	-	-	Frequency output, Ex i	Current output, Ex i, passive, HART
<i>Flexible communication boards</i>				
53***_*****C	Relay output 2	Relay output 1	Frequency output	Current output HART
53***_*****D	Status input	Relay output	Frequency output	Current output HART
53***_*****L	Status input	Relay output 2	Relay output 1	Current output HART
53***_*****M	Status input	Frequency output	Frequency output	Current output HART
53***_*****N	Current output	Frequency output	Status input	Modbus RS485
53***_*****P	Current output	Frequency output	Status input	PROFIBUS DP
53***_*****V	Relay output 2	Relay output 1	Status input	PROFIBUS DP
53***_*****2	Relay output	Current output	Frequency output	Current output HART
53***_*****4	Current input	Relay output	Frequency output	Current output HART
53***_*****5	Status input	Current input	Frequency output	Current output HART
53***_*****7	Relay output 2	Relay output 1	Status input	Modbus RS485

Ground terminal → 6

## Electrical connection, remote version



A0011722

### Connecting the remote version

- a Wall-mount housing connection compartment  
 b Sensor connection housing cover  
 c Signal cable  
 d Coil current cable  
 n.c. Not connected, insulated cable shields  
 Terminal no. and cable colors: 6/5 = brown; 7/8 = white; 4 = green; 36/37 = yellow

## Supply voltage (power supply)

- 16 to 62 V DC
- 20 to 55 V AC, 45 to 65 Hz
- 85 to 260 V AC, 45 to 65 Hz

### PROFIBUS PA and FOUNDATION Fieldbus

- Non-Ex: 9 to 32 V DC
- Ex i: 9 to 24 V DC
- Ex d: 9 to 32 V DC

## Cable entry

### Power supply and signal cables (inputs/ outputs):

- Cable entry M20 × 1.5 (8 to 12 mm / 0.31 to 0.47")
- Sensor cable entry for armoured cables M20 × 1.5 (9.5 to 16 mm / 0.37 to 0.63")
- Thread for cable entries, ½" NPT, G ½"

### Connecting cable for remote version:

- Cable entry M20 × 1.5 (8 to 12 mm / 0.31 to 0.47")
- Sensor cable entry for armoured cables M20 × 1.5 (9.5 to 16 mm / 0.37 to 0.63")
- Thread for cable entries, ½" NPT, G ½"

## Cable specifications, remote version

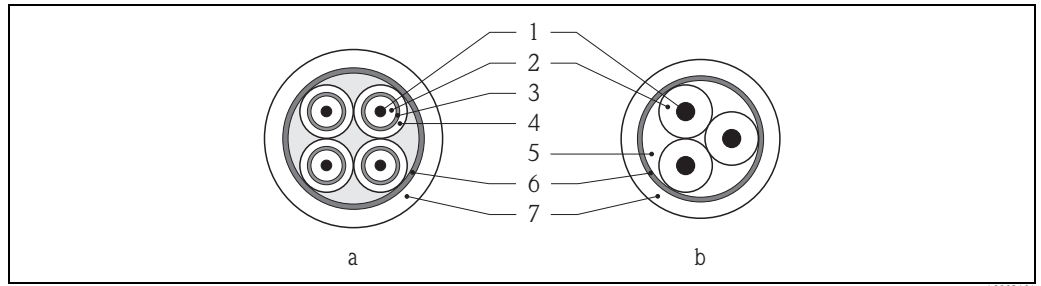
### Coil cable

- 2 × 0.75 mm<sup>2</sup> (18 AWG) PVC cable with common, braided copper shield (∅ ~ 7 mm / 0.28")
- Conductor resistance: ≤ 37 Ω/km (≤ 0.011 Ω/ft)
- Capacitance core/core, shield grounded: ≤ 120 pF/m (≤ 37 pF/ft)
- Operating temperature: -20 to +80 °C (-68 to +176 °F)
- Cable cross-section: max. 2.5 mm<sup>2</sup> (14 AWG)
- Test voltage for cable insulation: ≤ 1433 AC r.m.s. 50/60 Hz or ≥ 2026 V DC

### Signal cable

- 3 × 0.38 mm<sup>2</sup> (20 AWG) PVC cable with common, braided copper shield (∅ ~ 7 mm / 0.28") and individual shielded cores
- With empty pipe detection (EPD): 4 × 0.38 mm<sup>2</sup> (20 AWG) PVC cable with common, braided copper shield (∅ ~ 7 mm / 0.28") and individual shielded cores
- Conductor resistance: ≤ 50 Ω/km (≤ 0.015 Ω/ft)
- Capacitance core/shield: ≤ 420 pF/m (≤ 128 pF/ft)
- Operating temperature: -20 to +80 °C (-68 to +176 °F)
- Cable cross-section: max. 2.5 mm<sup>2</sup> (14 AWG)





- a Signal cable
- b Coil current cable
- 1 Core
- 2 Core insulation
- 3 Core shield
- 4 Core jacket
- 5 Core reinforcement
- 6 Cable shield
- 7 Outer jacket

**Operation in zones of severe electrical interference**

The measuring device complies with the general safety requirements in accordance with EN 61010 and the EMC requirements of IEC/EN 61326 and NAMUR recommendation NE 21.



**Caution!**

Grounding is by means of the ground terminals provided for the purpose inside the connection housing. Ensure that the stripped and twisted lengths of cable shield to the ground terminal are as short as possible.

**Power consumption**

- AC: < 15 VA (incl. sensor)
- DC: < 15 W (incl. sensor)

Switch-on current:

- Max. 3 A (< 5 ms) for 260 V AC
- Max. 13.5 A (< 50 ms) for 24 V DC

**Power supply failure**

Lasting min. ½ cycle frequency: EEPROM saves measuring system data

- EEPROM or T-DAT retain the measuring system data in the event of a power supply failure
- S-DAT: exchangeable data storage chip which stores the data of the sensor (nominal diameter, serial number, calibration factor, zero point etc.)

**Potential equalization**



**Warning!**


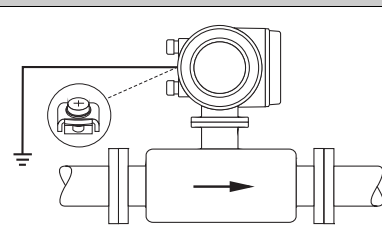
The measuring system must be included in the potential equalization.

Perfect measurement is only ensured when the fluid and the sensor have the same electrical potential. This is ensured by the reference electrode integrated in the sensor as standard.


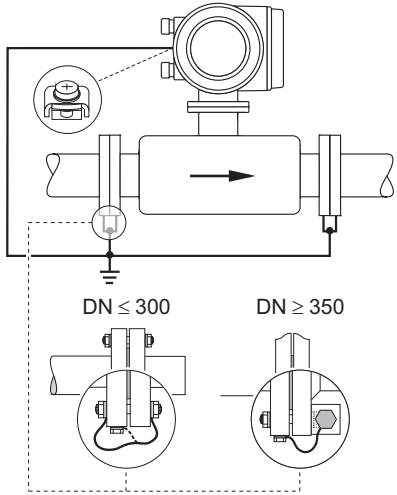
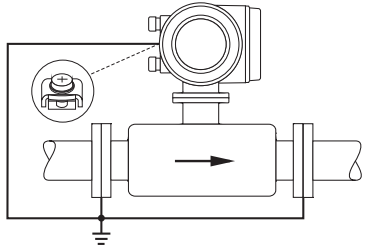
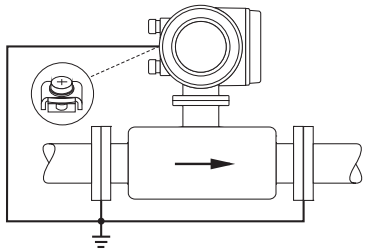
The following should also be taken into consideration for potential equalization:

- Internal grounding concepts in the company
- Operating conditions, such as the material/ grounding of the pipes (see table)

*Standard situation*

Operating conditions	Potential equalization
<p>When using the measuring device in a:</p> <ul style="list-style-type: none"> <li>■ Metal, grounded pipe</li> </ul> <p>Potential equalization takes place via the ground terminal of the transmitter.</p> <p> <b>Note!</b> When installing in metal pipes, we recommend you connect the ground terminal of the transmitter housing with the piping.</p>	 <p style="text-align: center;">Via the ground terminal of the transmitter</p> <p style="text-align: right; font-size: small;">A0011892</p>

Special situations

Operating conditions	Potential equalization
<p>When using the measuring device in a:</p> <ul style="list-style-type: none"> <li>▪ Metal pipe that is not grounded</li> </ul> <p>This connection method also applies in situations where:</p> <ul style="list-style-type: none"> <li>▪ Customary potential equalization cannot be ensured.</li> <li>▪ Excessively high equalizing currents can be expected.</li> </ul> <p>Both sensor flanges are connected to the pipe flange by means of a ground cable (copper wire, at least 6 mm<sup>2</sup> / 0.0093 in<sup>2</sup>) and grounded. Connect the transmitter or sensor connection housing, as applicable, to ground potential by means of the ground terminal provided for the purpose.</p> <ul style="list-style-type: none"> <li>▪ DN ≤ 300 (12"): the ground cable is mounted directly on the conductive flange coating with the flange screws.</li> <li>▪ DN ≥ 350 (14"): the ground cable is mounted directly on the transportation metal support.</li> </ul> <p> <b>Note!</b> The ground cable for flange-to-flange connections can be ordered separately as an accessory from Endress+Hauser.</p>	 <p style="text-align: right;">A0011893</p> <p><i>Via the ground terminal of the transmitter and the flanges of the pipe</i></p>
<p>When using the measuring device in a:</p> <ul style="list-style-type: none"> <li>▪ Plastic pipe</li> <li>▪ Pipe with insulating lining</li> </ul> <p>This connection method also applies in situations where:</p> <ul style="list-style-type: none"> <li>▪ Customary potential equalization cannot be ensured.</li> <li>▪ Excessively high equalizing currents can be expected.</li> </ul> <p>Potential equalization takes place using additional ground disks, which are connected to the ground terminal via a ground cable (copper wire, at least 6 mm<sup>2</sup> / 0.0093 in<sup>2</sup>). When installing the ground disks, please comply with the enclosed Installation Instructions.</p>	 <p style="text-align: right;">A0011895</p> <p><i>Via the ground terminal of the transmitter and the optionally available ground disks</i></p>
<p>When using the measuring device in a:</p> <ul style="list-style-type: none"> <li>▪ Pipe with a cathodic protection unit</li> </ul> <p>The device is installed potential-free in the pipe. Only the two flanges of the pipe are connected with a ground cable (copper wire, at least 6 mm<sup>2</sup> / 0.0093 in<sup>2</sup>). Here, the ground cable is mounted directly on the conductive flange coating with flange screws.</p> <p>Note the following when installing:</p> <ul style="list-style-type: none"> <li>▪ The applicable regulations regarding potential-free installation must be observed.</li> <li>▪ There should be no electrically conductive connection between the pipe and the device.</li> <li>▪ The mounting material must withstand the applicable torques.</li> </ul>	 <p style="text-align: right;">A0011896</p> <p><i>Potential equalization and cathodic protection</i></p> <p>1 Power supply isolation transformer 2 Electrically isolated</p>

## Performance characteristics

### Reference operating conditions

As per DIN EN 29104 and VDI/VDE 2641:

- Fluid temperature:  $+28\text{ °C} \pm 2\text{ K}$  ( $+82\text{ °F} \pm 2\text{ K}$ )
- Ambient temperature:  $+22\text{ °C} \pm 2\text{ K}$  ( $+72\text{ °F} \pm 2\text{ K}$ )
- Warm-up period: 30 minutes

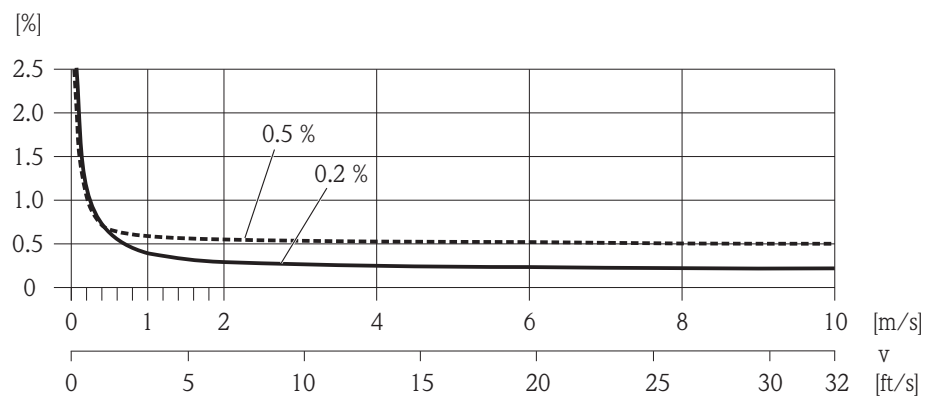
Installation conditions:

- Inlet run  $> 10 \times \text{DN}$
- Outlet run  $> 5 \times \text{DN}$
- Sensor and transmitter grounded.
- The sensor is centered in the pipe.

### Maximum measured error

- Current output: also typically  $\pm 5\ \mu\text{A}$
- Pulse output:  $\pm 0.2\%$  o.r.  $\pm 2\text{ mm/s}$  ( $\pm 0.2\%$  o.r.  $\pm 0.08\text{ in/s}$ ) (o.r. = of reading)

Fluctuations in the supply voltage do not have any effect within the specified range.



Max. measured error in % of reading

A0005531

### Repeatability

Max.  $\pm 0.1\%$  o.r.  $\pm 0.5\text{ mm/s}$  ( $\pm 0.1\%$  o.r.  $\pm 0.02\text{ in/s}$ ) (o.r. = of reading)

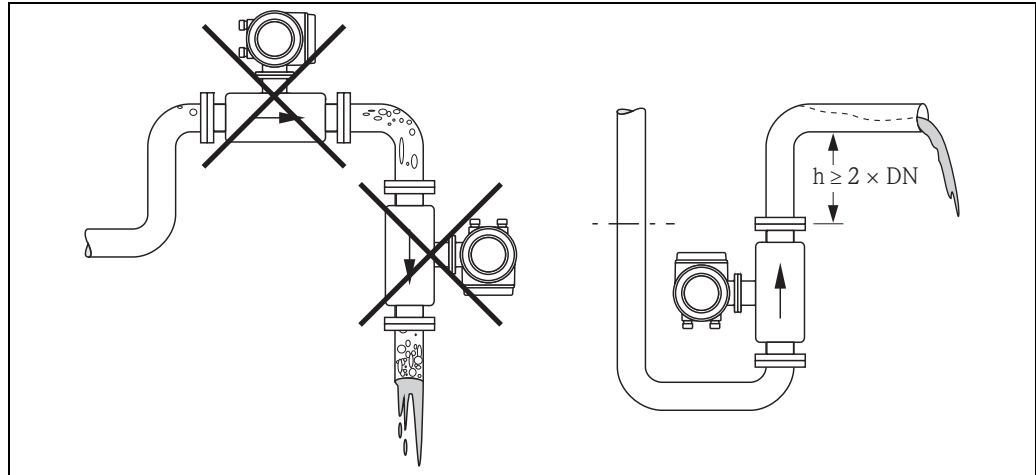
## Installation

### Mounting location

Entrained air or gas bubble formation in the measuring tube can result in an increase in measuring errors.

**Avoid** the following installation locations in the pipe:

- Highest point of a pipeline. Risk of air accumulating!
- Directly upstream from a free pipe outlet in a vertical pipeline.

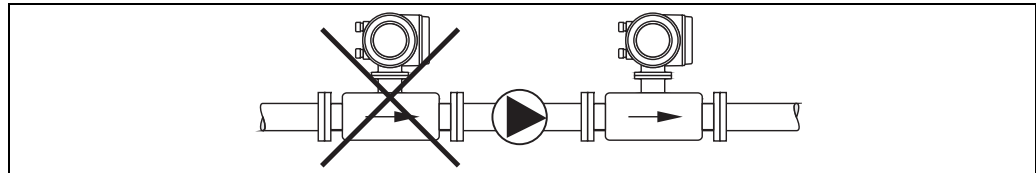


A0011899

### Installation of pumps

Sensors may not be installed on the pump suction side. This precaution is to avoid low pressure and the consequent risk of damage to the lining of the measuring tube. Information on the pressure tightness of the measuring tube lining → 20, Section "Pressure tightness".

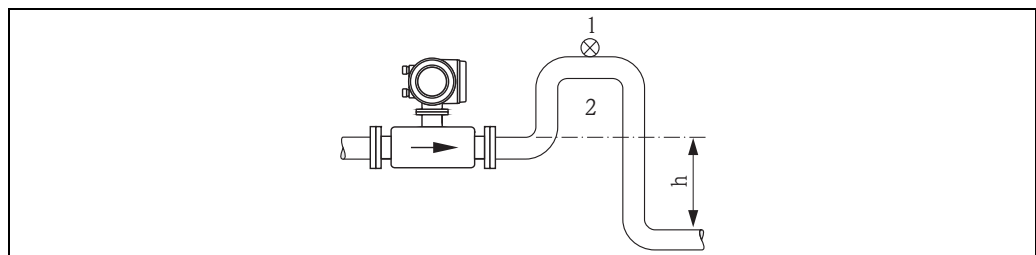
Pulsation dampers may be needed when using piston pumps, piston diaphragm pumps or hose pumps. Information on the shock and vibration resistance of the measuring system → 17, Section "Shock and vibration resistance".



A0011900

### Installation in down pipes

Install a siphon or a vent valve downstream of the sensor in down pipes  $h \geq 5$  m (16.4 ft). This precaution is to avoid low pressure and the consequent risk of damage to the lining of the measuring tube. This measure also prevents the liquid current stopping in the pipe which could cause air locks. Information on the pressure tightness of the measuring tube lining → 20, Section "Pressure tightness".



A0011902

*Installation measures for vertical pipes*

- 1 Vent valve
- 2 Pipe siphon
- h Length of the down pipe

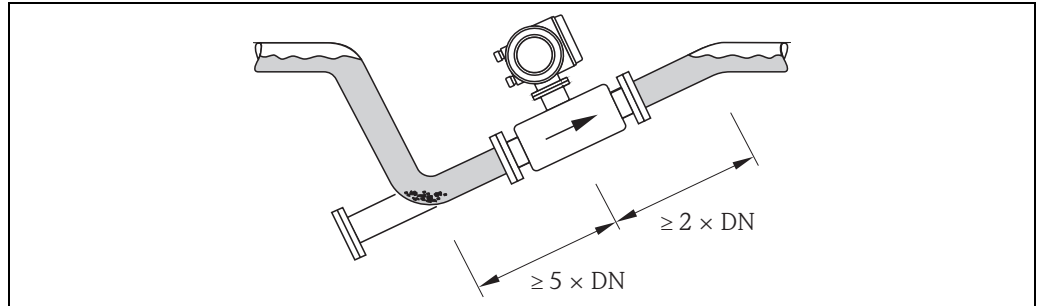
**Installation in partially filled pipes**

Partially filled pipes with gradients necessitate a drain-type configuration. The empty pipe detection function (EPD) provides additional security in detecting empty or partially filled pipes.



Caution!

Risk of solids accumulating. Do not install the sensor at the lowest point in the drain. It is advisable to install a cleaning valve.



A0011901

Installation with partially filled pipes

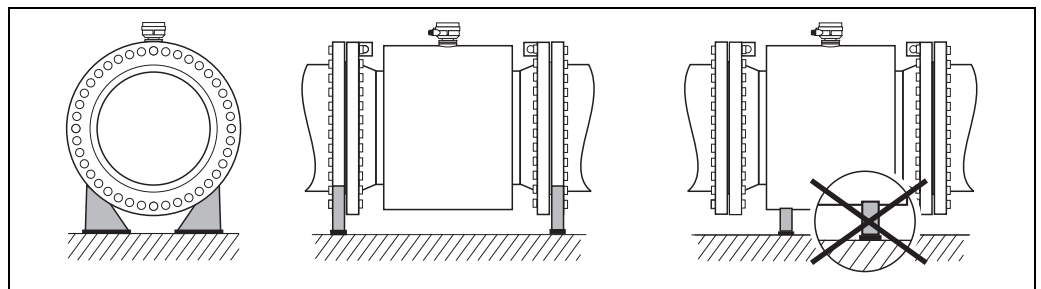
**For very heavy sensors**

If the nominal diameter is  $DN \geq 350$  (14"), mount the transmitter on a foundation of adequate load-bearing strength.



Caution!

Do not allow the casing to take the weight of the sensor. This would buckle the casing and damage the internal magnetic coils.



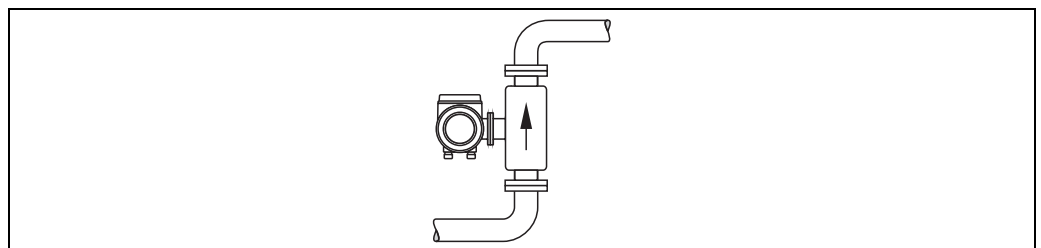
A0003209

**Orientation**

An optimum orientation helps avoid gas and air accumulations and deposits in the measuring tube. However, the measuring device also offers the additional function of empty pipe detection (EPD) for detecting partially filled measuring tubes or if outgassing fluids or fluctuating operating pressures are present.

**Vertical orientation**

This is the ideal orientation for self-emptying piping systems and for use in conjunction with empty pipe detection.



A0011903

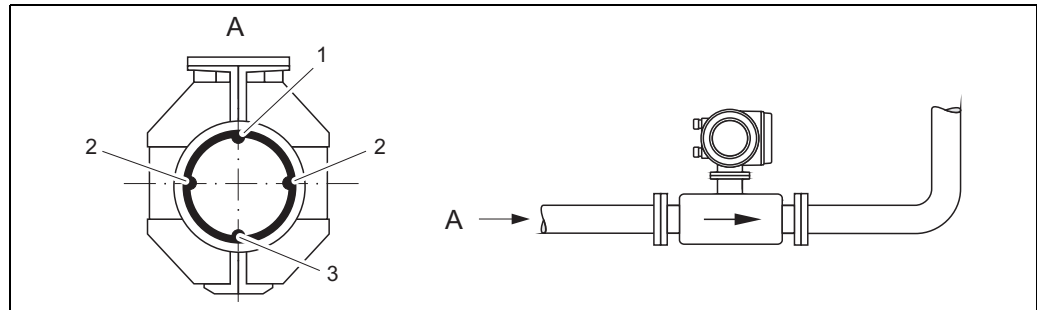
### Horizontal orientation

The measuring electrode axis should be horizontal. This prevents brief insulation of the two measuring electrodes by entrained air bubbles.



#### Caution!

Empty pipe detection only works correctly with horizontal orientation if the transmitter housing is facing upwards. Otherwise there is no guarantee that empty pipe detection will respond if the measuring tube is only partially filled or empty.



A0011904

#### Horizontal orientation

- 1 EPD electrode for empty pipe detection
- 2 Measuring electrodes for signal detection
- 3 Reference electrode for potential equalization

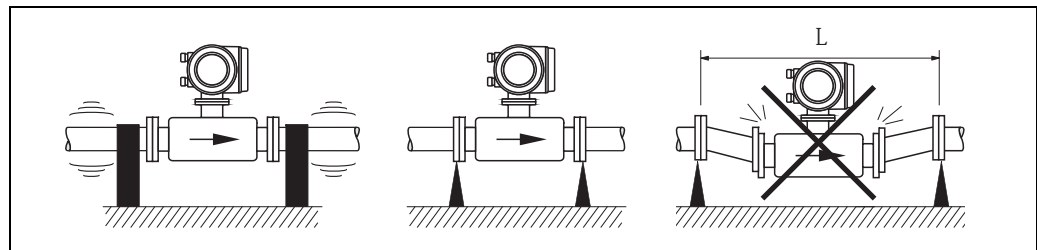
### Vibrations

Secure the piping and the sensor if vibration is severe.



#### Caution!

If vibrations are too severe, we recommend the sensor and transmitter be mounted separately. Information on the permitted shock and vibration resistance → 17, Section "Shock and vibration resistance".



A0011906

#### Measures to prevent vibration of the measuring device

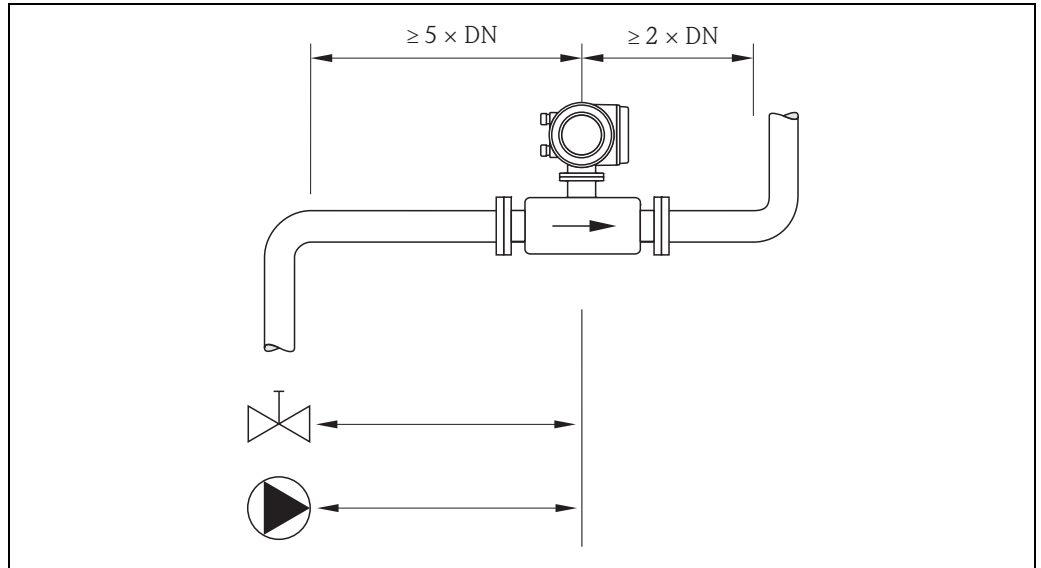
$L > 10 \text{ m (33 ft)}$

**Inlet and outlet run**

If possible, install the sensor well clear of assemblies such as valves, T-pieces, elbows etc.

Note the following inlet and outlet runs to comply with measuring accuracy specifications:

- Inlet run:  $\geq 5 \times \text{DN}$
- Outlet run:  $\geq 2 \times \text{DN}$



A0011905

**Adapters**

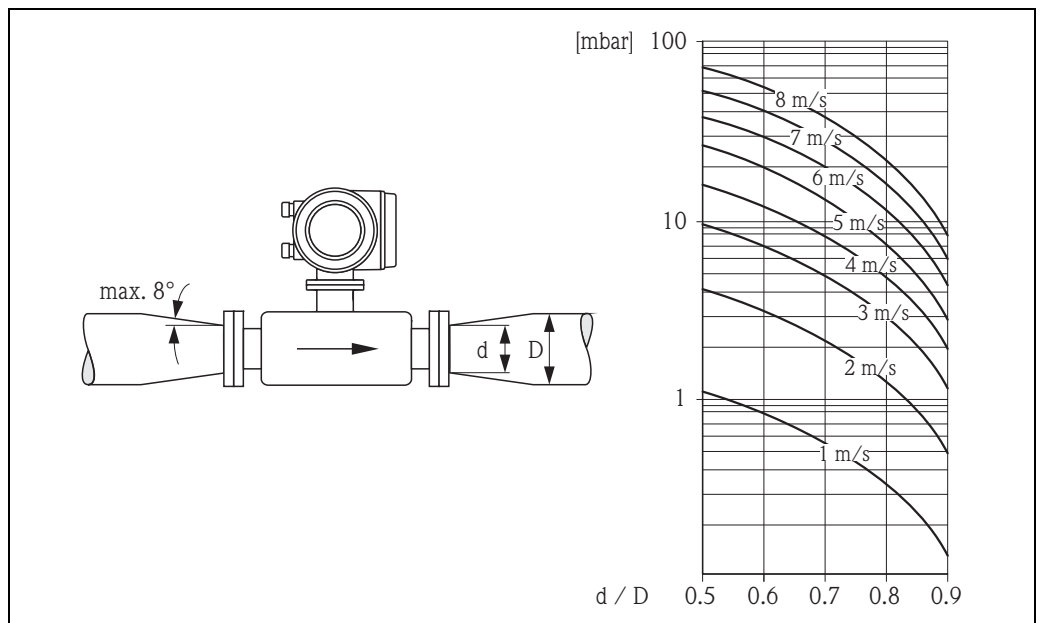
Suitable adapters to DIN EN 545 (double-flange reducers) can be used to install the sensor in larger-diameter pipes. The resultant increase in the rate of flow improves measuring accuracy with very slow-moving fluids. The nomogram shown here can be used to calculate the pressure loss caused by reducers and expanders.



Note!

The nomogram only applies to liquids of viscosity similar to water.

1. Calculate the ratio of the diameters  $d/D$ .
2. From the nomogram read off the pressure loss as a function of flow velocity (downstream from the reduction) and the  $d/D$  ratio.



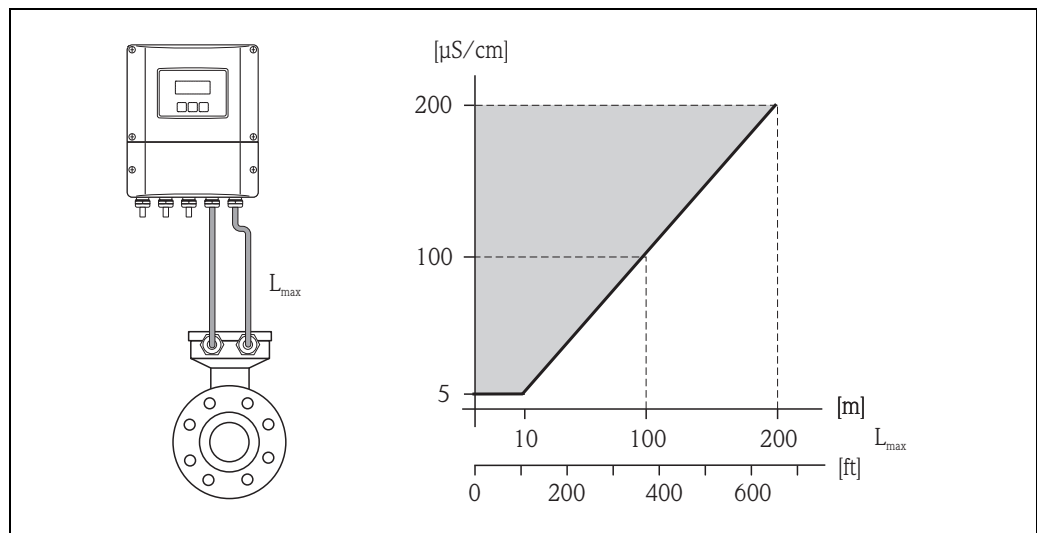
A0011907

Pressure loss due to adapters

**Length of connecting cable**

When mounting the remote version, please note the following to achieve correct measuring results:

- Fix cable run or lay in armored conduit. Cable movements can falsify the measuring signal especially in the case of low fluid conductivities.
- Route the cable well clear of electrical machines and switching elements.
- If necessary, ensure potential equalization between sensor and transmitter.
- The permitted cable length  $L_{max}$  is determined by the fluid conductivity. A minimum conductivity of  $20 \mu\text{S/cm}$  is required for measuring demineralized water.
- When the empty pipe detection function is switched on (EPD), the maximum connecting cable length is 10 m (33 ft).



Permitted length of connecting cable for remote version

Area marked in gray = permitted range;  $L_{max}$  = length of connecting cable in [m] ([ft]); fluid conductivity in [ $\mu\text{S/cm}$ ]



---

## Environment

---

### Ambient temperature range

#### Transmitter

- Standard: -20 to +60 °C (-4 to +140 °F)
- Optional: -40 to +60 °C (-40 to +140 °F)



#### Note!

At ambient temperatures below -20 °C (-4 °F) the readability of the display may be impaired.

#### Sensor

- Flange material carbon steel: -10 to +60 °C (+14 to +140 °F)



#### Caution!

The permitted temperature range of the measuring tube lining may not be undershot or overshoot  
→ 18, Section "Medium temperature range".

Please note the following points:

- Install the device in a shady location. Avoid direct sunlight, particularly in warm climatic regions.
- The transmitter must be mounted separate from the sensor if both the ambient and fluid temperatures are high.

---

### Storage temperature



The storage temperature corresponds to the operating temperature range of the measuring transmitter and the appropriate measuring sensors.

#### Caution!

- The measuring device must be protected against direct sunlight during storage in order to avoid unacceptably high surface temperatures.
- A storage location must be selected where moisture does not collect in the measuring device. This will help prevent fungus and bacteria infestation which can damage the liner.
- Do not remove the protective plates or caps on the process connections until the device is ready to install.

---

### Degree of protection

Standard: IP 67 (NEMA 4X) for transmitter and sensor.

---

### Shock and vibration resistance

Acceleration up to 2 g following IEC 600 68-2-6

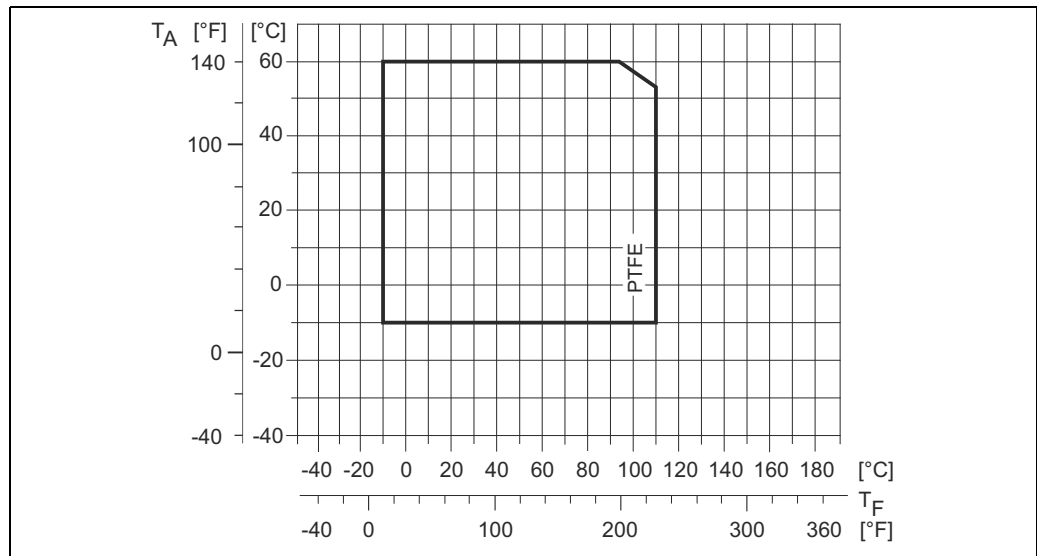
---

### Electromagnetic compatibility (EMC)

As per IEC/EN 61326 and NAMUR recommendation NE 21.

## Process

Medium temperature range PTFE: -10 to +110 °C (+14 to +230 °F)



Compact and remote version (T<sub>A</sub> = Ambient temperature, T<sub>F</sub> = Fluid temperature)

### Conductivity

- The minimum conductivity is:
  - ≥ 5 μS/cm for fluids generally
  - ≥ 20 μS/cm for demineralized water



Note!  
In the remote version, the necessary minimum conductivity also depends on the cable length (→ 16, Section "Length of connecting cable").

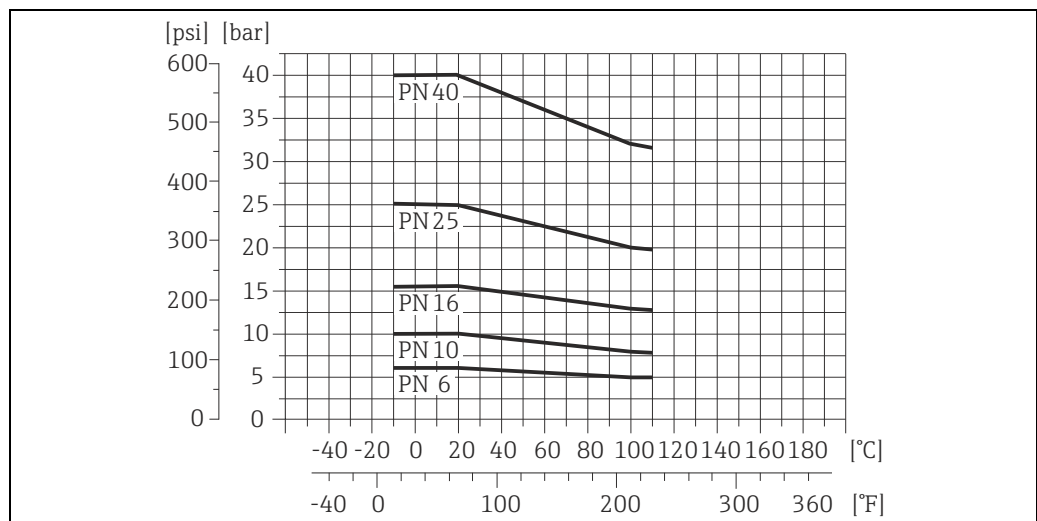
### Pressure-temperature ratings



Caution!  
The following diagrams contain material load diagrams (reference curves) for flange materials with regard to the medium temperature. However, the maximum medium temperatures permitted always depend on the lining material of the sensor and/or the sealing material (→ 18).

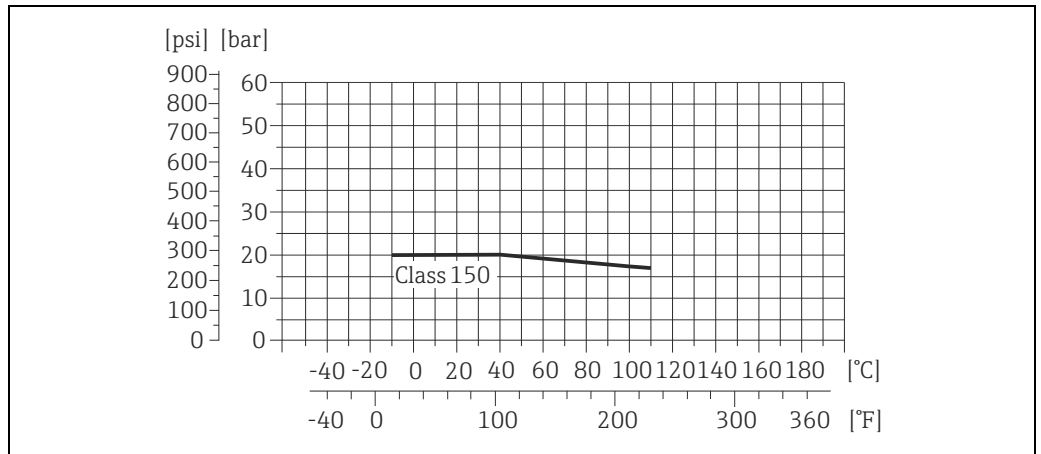
#### Process connection: flange to EN 1092-1 (DIN 2501)

Material process connection: RSt37-2 (S235JRG2); Alloy C22; Fe 410W B



**Process connection: flange to ASME B16.5**

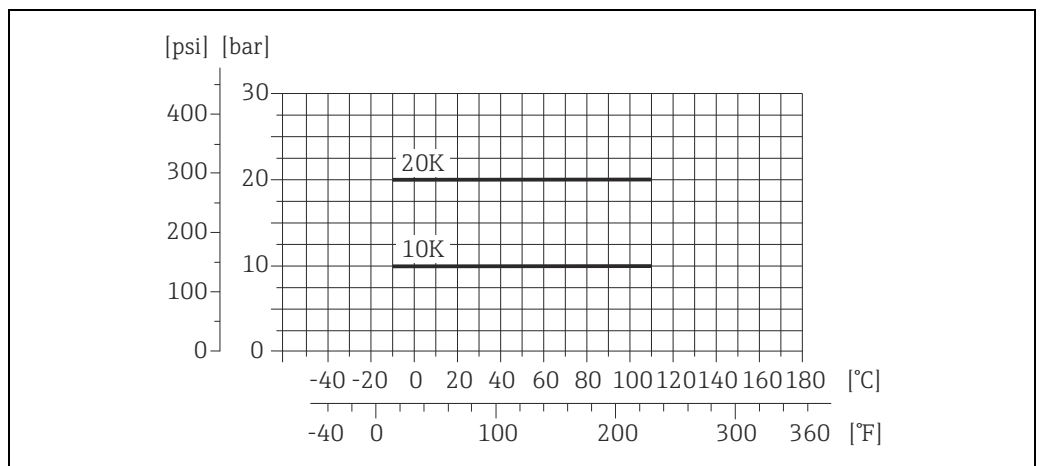
Material process connection: A105



A0022939-EN

**Process connection: flange to JIS B2220**

Material process connection: RSt37-2 (S235JRG2); HII



A0022940-EN

**Medium pressure range  
(nominal pressure)**

- EN 1092-1 (DIN 2501)
  - PN 10 (DN 200 to 600 / 8 to 24")
  - PN 16 (DN 65 to 600 / 3 to 24")
  - PN 40 (DN 15 to 50 / ½ to 2")
- ASME B 16.5
  - Class 150 (DN ½ to 24")
- JIS B2220
  - 10K (DN 50 to 300 / 2 to 12")
  - 20K (DN 15 to 40 / ½ to 1½")

## Pressure tightness

## Measuring tube lining: PTFE

Nominal diameter		Limit values for abs. pressure [mbar] ([psi]) at fluid temperatures:							
		25 °C (77 °F)		80 °C (176 °F)		100 °C (212 °F)		110 °C (230 °F)	
[mm]	[inch]	[mbar]	[psi]	[mbar]	[psi]	[mbar]	[psi]	[mbar]	[psi]
15	½"	0	0	0	0	0	0	100	1.45
25	1"	0	0	0	0	0	0	100	1.45
32	–	0	0	0	0	0	0	100	1.45
40	1½"	0	0	0	0	0	0	100	1.45
50	2"	0	0	0	0	0	0	100	1.45
65	–	0	0	*	*	40	0.58	130	1.89
80	3"	0	0	*	*	40	0.58	130	1.89
100	4"	0	0	*	*	135	1.96	170	2.47
125	–	135	1.96	*	*	240	3.48	385	5.58
150	6"	135	1.96	*	*	240	3.48	385	5.58
200	8"	200	2.90	*	*	290	4.21	410	5.95
250	10"	330	4.79	*	*	400	5.80	530	7.69
300	12"	400	5.80	*	*	500	7.25	630	9.14
350	14"	470	6.82	*	*	600	8.70	730	10.6
400	16"	540	7.83	*	*	670	9.72	800	11.6
450	18"	Partial vacuum is impermissible!							
500	20"								
600	24"								

\* No value can be specified.

## Limiting flow

The diameter of the pipe and the flow rate determine the nominal diameter of the sensor. The optimum flow velocity is between 2 to 3 m/s (6.5 to 9.8 ft/s). The velocity of flow (v), moreover, has to be matched to the physical properties of the fluid:

- v < 2 m/s (6.5 ft/s): for abrasive fluids such as potter's clay, lime milk, ore slurry etc.
- v > 2 m/s (6.5 ft/s): for fluids causing build-up such as wastewater sludges etc.

Flow characteristic values (SI units)					
Diameter		Recommended flow rate Min./max. full scale value (v ~ 0.3 or 10 m/s)	Factory settings		
[mm]	[inch]		Full scale value, current output (v ~ 2.5 m/s)	Pulse value (~ 2 pulses/s)	Low flow cut off (v ~ 0.04 m/s)
15	½"	4 to 100 dm <sup>3</sup> /min	25 dm <sup>3</sup> /min	0.20 dm <sup>3</sup>	0.50 dm <sup>3</sup> /min
25	1"	9 to 300 dm <sup>3</sup> /min	75 dm <sup>3</sup> /min	0.50 dm <sup>3</sup>	1.00 dm <sup>3</sup> /min
32	–	15 to 500 dm <sup>3</sup> /min	125 dm <sup>3</sup> /min	1.00 dm <sup>3</sup>	2.00 dm <sup>3</sup> /min
40	1½"	25 to 700 dm <sup>3</sup> /min	200 dm <sup>3</sup> /min	1.50 dm <sup>3</sup>	3.00 dm <sup>3</sup> /min
50	2"	35 to 1100 dm <sup>3</sup> /min	300 dm <sup>3</sup> /min	2.50 dm <sup>3</sup>	5.00 dm <sup>3</sup> /min
65	–	60 to 2000 dm <sup>3</sup> /min	500 dm <sup>3</sup> /min	5.00 dm <sup>3</sup>	8.00 dm <sup>3</sup> /min
80	3"	90 to 3000 dm <sup>3</sup> /min	750 dm <sup>3</sup> /min	5.00 dm <sup>3</sup>	12.0 dm <sup>3</sup> /min
100	4"	145 to 4700 dm <sup>3</sup> /min	1200 dm <sup>3</sup> /min	10.0 dm <sup>3</sup>	20.0 dm <sup>3</sup> /min
125	–	220 to 7500 dm <sup>3</sup> /min	1850 dm <sup>3</sup> /min	15.0 dm <sup>3</sup>	30.0 dm <sup>3</sup> /min
150	6"	20 to 600 m <sup>3</sup> /h	150 m <sup>3</sup> /h	0.03 m <sup>3</sup>	2.50 m <sup>3</sup> /h
200	8"	35 to 1100 m <sup>3</sup> /h	300 m <sup>3</sup> /h	0.05 m <sup>3</sup>	5.00 m <sup>3</sup> /h

Flow characteristic values (SI units)					
Diameter		Recommended flow rate Min./max. full scale value (v ~ 0.3 or 10 m/s)	Factory settings		
[mm]	[inch]		Full scale value, current output (v ~ 2.5 m/s)	Pulse value (~ 2 pulses/s)	Low flow cut off (v ~ 0.04 m/s)
250	10"	55 to 1700 m <sup>3</sup> /h	500 m <sup>3</sup> /h	0.05 m <sup>3</sup>	7.50 m <sup>3</sup> /h
300	12"	80 to 2400 m <sup>3</sup> /h	750 m <sup>3</sup> /h	0.10 m <sup>3</sup>	10.0 m <sup>3</sup> /h
350	14"	110 to 3300 m <sup>3</sup> /h	1000 m <sup>3</sup> /h	0.10 m <sup>3</sup>	15.0 m <sup>3</sup> /h
400	16"	140 to 4200 m <sup>3</sup> /h	1200 m <sup>3</sup> /h	0.15 m <sup>3</sup>	20.0 m <sup>3</sup> /h
450	18"	180 to 5400 m <sup>3</sup> /h	1500 m <sup>3</sup> /h	0.25 m <sup>3</sup>	25.0 m <sup>3</sup> /h
500	20"	220 to 6600 m <sup>3</sup> /h	2000 m <sup>3</sup> /h	0.25 m <sup>3</sup>	30.0 m <sup>3</sup> /h
600	24"	310 to 9600 m <sup>3</sup> /h	2500 m <sup>3</sup> /h	0.30 m <sup>3</sup>	40.0 m <sup>3</sup> /h

Flow characteristic values (US units)					
Diameter		Recommended flow rate Min./max. full scale value (v ~ 0.3 or 10 m/s)	Factory settings		
[inch]	[mm]		Full scale value, current output (v ~ 2.5 m/s)	Pulse value (~ 2 pulses/s)	Low flow cut off (v ~ 0.04 m/s)
½"	15	1.0 to 26 gal/min	6 gal/min	0.10 gal	0.15 gal/min
1"	25	2.5 to 80 gal/min	18 gal/min	0.20 gal	0.25 gal/min
1½"	40	7 to 190 gal/min	50 gal/min	0.50 gal	0.75 gal/min
2"	50	10 to 300 gal/min	75 gal/min	0.50 gal	1.25 gal/min
3"	80	24 to 800 gal/min	200 gal/min	2.00 gal	2.50 gal/min
4"	100	40 to 1250 gal/min	300 gal/min	2.00 gal	4.00 gal/min
6"	150	90 to 2650 gal/min	600 gal/min	5.00 gal	12.0 gal/min
8"	200	155 to 4850 gal/min	1200 gal/min	10.0 gal	15.0 gal/min
10"	250	250 to 7500 gal/min	1500 gal/min	15.0 gal	30.0 gal/min
12"	300	350 to 10600 gal/min	2400 gal/min	25.0 gal	45.0 gal/min
14"	350	500 to 15000 gal/min	3600 gal/min	30.0 gal	60.0 gal/min
16"	400	600 to 19000 gal/min	4800 gal/min	50.0 gal	60.0 gal/min
18"	450	800 to 24000 gal/min	6000 gal/min	50.0 gal	90.0 gal/min
20"	500	1000 to 30000 gal/min	7500 gal/min	75.0 gal	120.0 gal/min
24"	600	1400 to 44000 gal/min	10500 gal/min	100.0 gal	180.0 gal/min

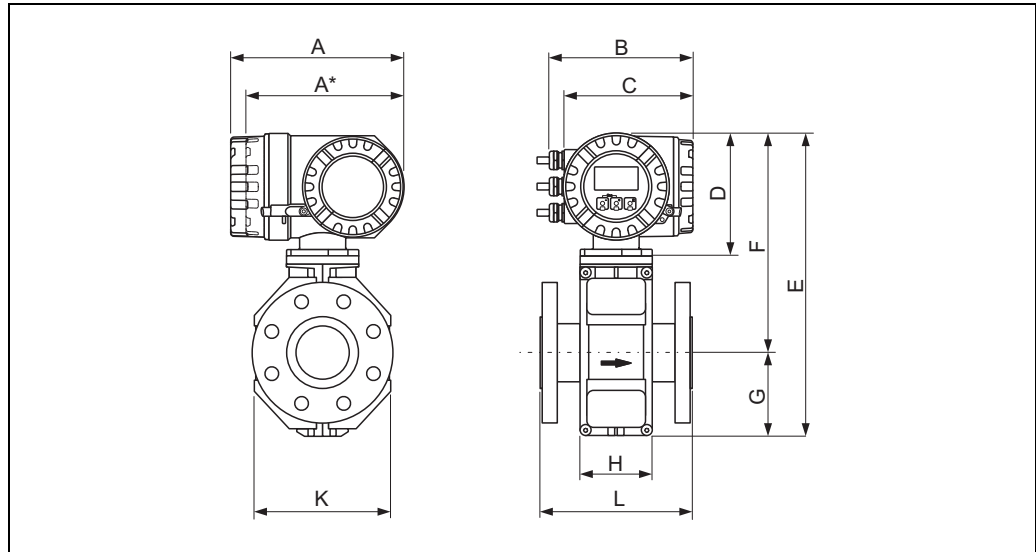
**Pressure loss**

- No pressure loss if the sensor is installed in a pipe with the same nominal diameter.
- Pressure losses for configurations incorporating adapters according to DIN EN 545 (→ 15, Section "Adapters").

## Mechanical construction

### Design, dimensions

### Compact version DN 15 to 300 (½ to 12")



A0005423

### Dimensions (SI units)

DN	L <sup>1)</sup>	A	A*	B	C	D	E	F	G	H	K
EN (DIN) / JIS											
15	200	227	207	187	168	160	341	257	84	94	120
25	200						341	257	84	94	120
32	200						341	257	84	94	120
40	200						341	257	84	94	120
50	200						341	257	84	94	120
65	200						391	282	109	94	180
80	200						391	282	109	94	180
100	250						391	282	109	94	180
125	250						472	322	150	140	260
150	300						472	322	150	140	260
200	350						527	347	180	156	324
250	450						577	372	205	166	400
300	500						627	397	230	166	460

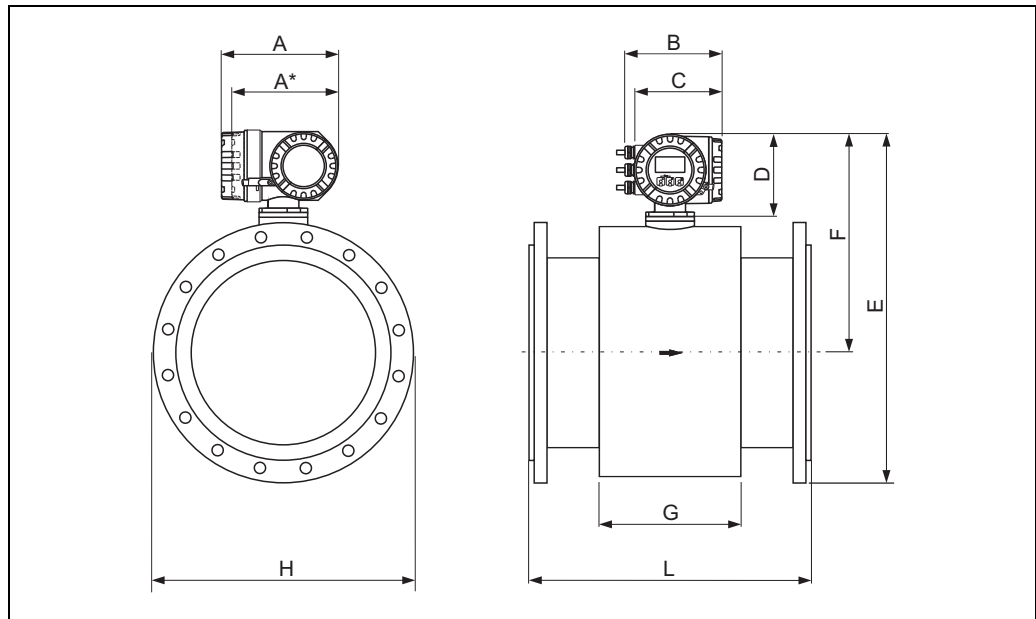
<sup>1)</sup> The length is regardless of the pressure rating selected. Fitting length to DVGW.  
All dimensions in [mm]

Dimensions (US units)

DN ASME	L <sup>1)</sup>	A	A*	B	C	D	E	F	G	H	K
½"	7.87	8.94	8.15	7.36	6.61	6.30	13.4	10.1	3.31	3.70	4.72
1"	7.87						13.4	10.1	3.31	3.70	4.72
1½"	7.87						13.4	10.1	3.31	3.70	4.72
2"	7.87						13.4	10.1	3.31	3.70	4.72
3"	7.87						15.4	11.1	4.29	3.70	7.09
4"	9.84						15.4	11.1	4.29	3.70	7.09
6"	11.8						18.6	12.7	5.91	5.51	10.2
8"	13.8						20.8	13.7	7.09	6.14	12.8
10"	17.7						22.7	14.7	8.07	6.54	15.8
12"	19.7						24.7	15.6	9.06	6.54	18.1

<sup>1)</sup> The length is regardless of the pressure rating selected. Fitting length to DVGW.  
All dimensions in [inch]

## Compact version DN 350 to 600 (14 to 24")



A0014951

## Dimensions (SI units)

DN	L	A	A*	B	C	D	F	G
350	550	227	207	187	168	160	411	290
400	600						437	290
450	600						465	290
500	600						490	290
600	600						531	290

All dimensions in [mm]

DN	E at pressure rating				H at pressure rating			
	PN 6	PN 10	PN 16	ASME	PN 6	PN 10	PN 16	ASME
350	656	663	671	677	490	505	520	533
400	707	719	727	735	540	565	580	597
450	762	772	785	782	595	615	640	635
500	812	825	847	839	645	670	715	699
600	908	921	951	937	755	780	840	813

All dimensions in [mm]



*Dimensions (US units)*

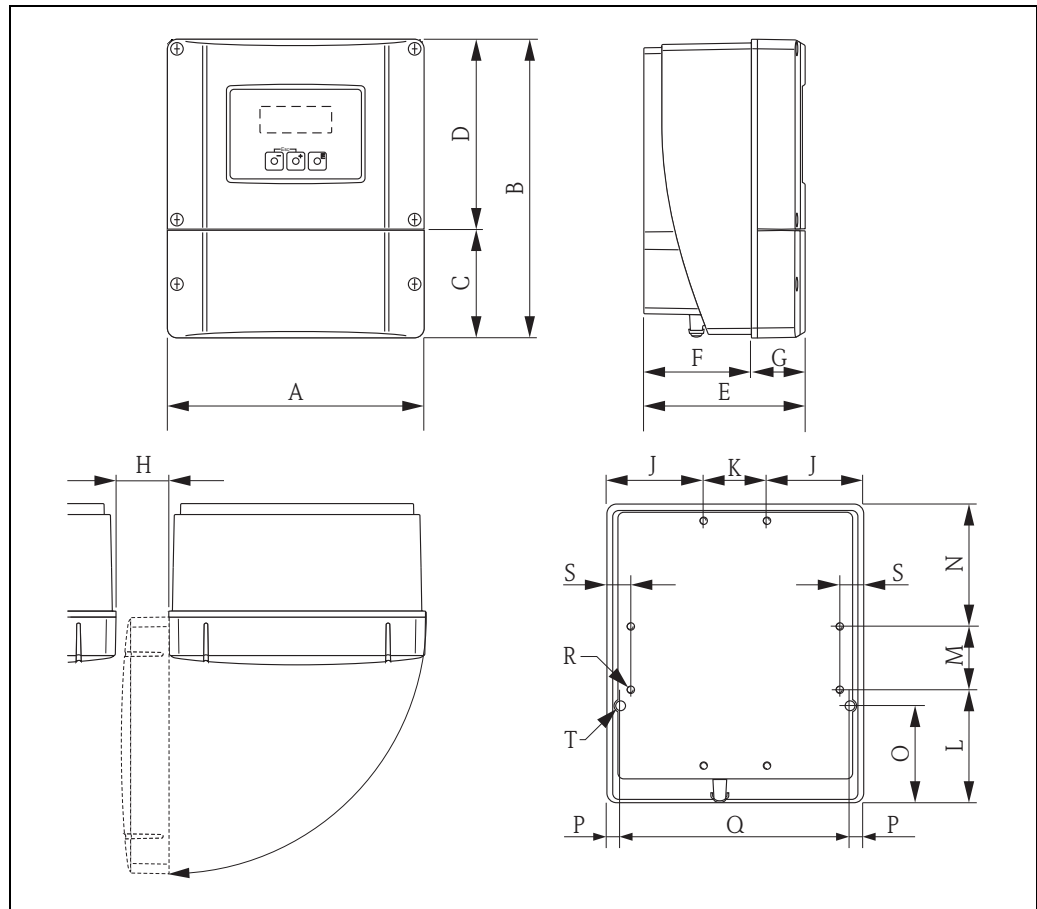
DN	L	A	A*	B	C	D	F	G
14"	21.6	8.94	8.15	7.36	6.61	6.30	16.2	11.4
16"	23.6						17.2	11.4
18"	23.6						18.3	11.4
20"	23.6						19.3	11.4
24"	23.6						20.9	11.4

All dimensions in [inch]

DN	E at pressure rating				H at pressure rating			
	PN 6	PN 10	PN 16	ASME	PN 6	PN 10	PN 16	ASME
14"	25.8	26.1	26.4	26.7	19.3	19.9	20.5	21.0
16"	27.8	28.3	28.6	28.9	21.3	22.2	22.8	23.5
18"	23.0	30.4	30.9	30.8	23.4	24.2	25.2	25.0
20"	32.0	32.5	33.4	33.0	25.4	26.4	28.2	27.5
24"	35.8	36.3	37.5	36.9	29.7	30.7	33.1	32.0

All dimensions in [inch]

## Transmitter remote version, wall-mount housing (non Ex-zone and II3G/Zone 2)



A0001150

## Dimensions (SI units)

A	B	C	D	E	F	G	H	J
215	250	90.5	159.5	135	90	45	> 50	81
K	L	M	N	O	P	Q	R	S
53	95	53	102	81.5	11.5	192	8 × M5	20

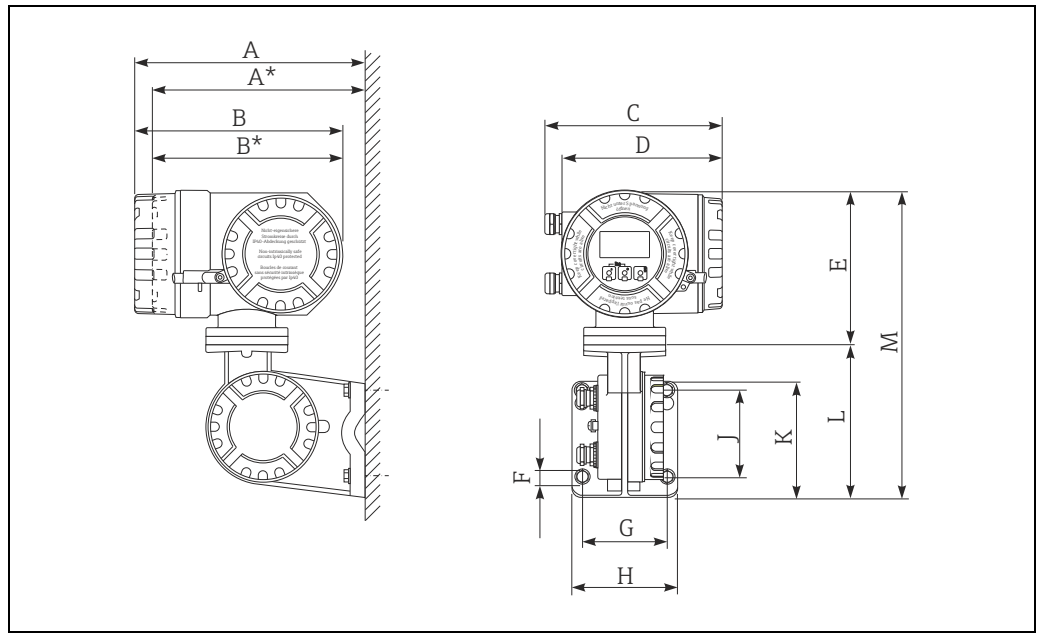
All dimensions in [mm]

## Dimensions (US units)

A	B	C	D	E	F	G	H	J
8.46	9.84	3.56	6.27	5.31	3.54	1.77	> 1.97	3.18
K	L	M	N	O	P	Q	R	S
2.08	3.74	2.08	4.01	3.20	0.45	7.55	8 × M5	0.79

All dimensions in [inch]

Transmitter remote version, connection housing (II2GD)



A0002128

Dimensions (SI units)

A	A*	B	B*	C	D	E	Ø F	G	H	J	K	L	M
265	242	240	217	206	186	178	8.6 (M8)	100	130	100	144	170	355

All dimensions in [mm]

Dimensions (US units)

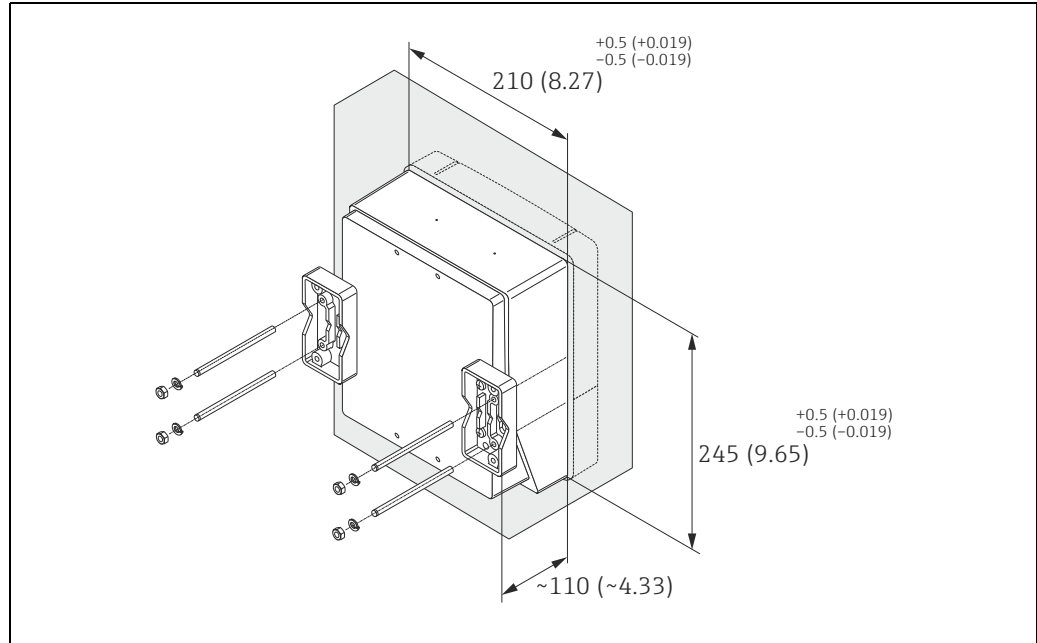
A	A*	B	B*	C	D	E	Ø F	G	H	J	K	L	M
10.4	9.53	9.45	8.54	8.11	7.32	7.01	0.34 (M8)	3.94	5.12	3.94	5.67	6.69	14.0

All dimensions in [inch]

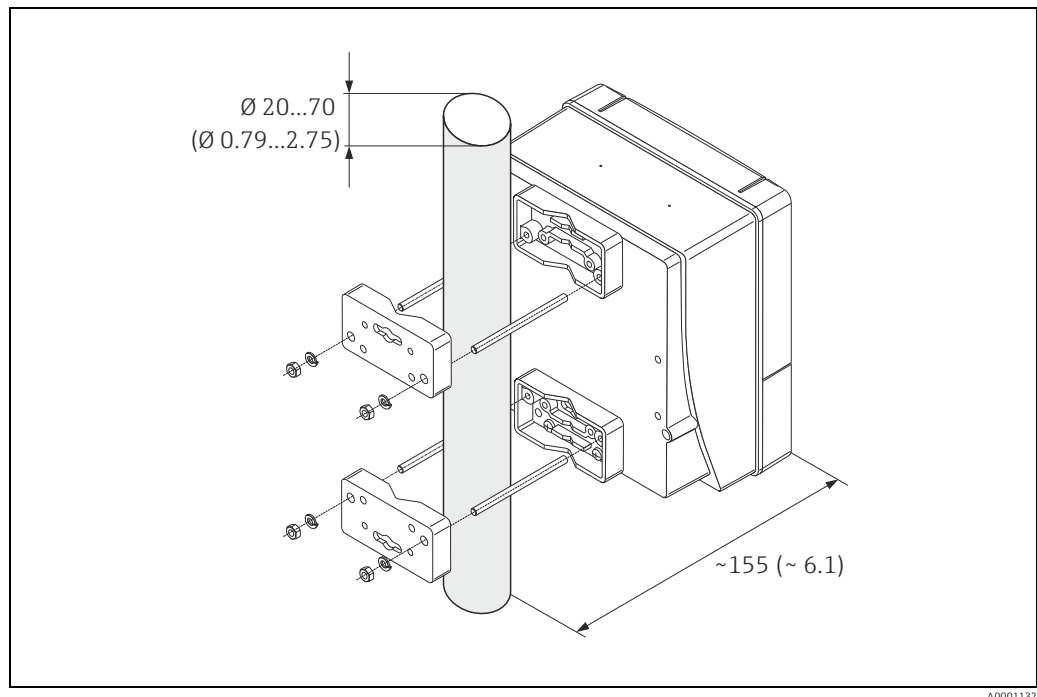
There is a separate mounting kit for the wall-mounted housing. It can be ordered from Endress+Hauser as an accessory. The following installation variants are possible:

- Panel-mounted installation
- Pipe mounting

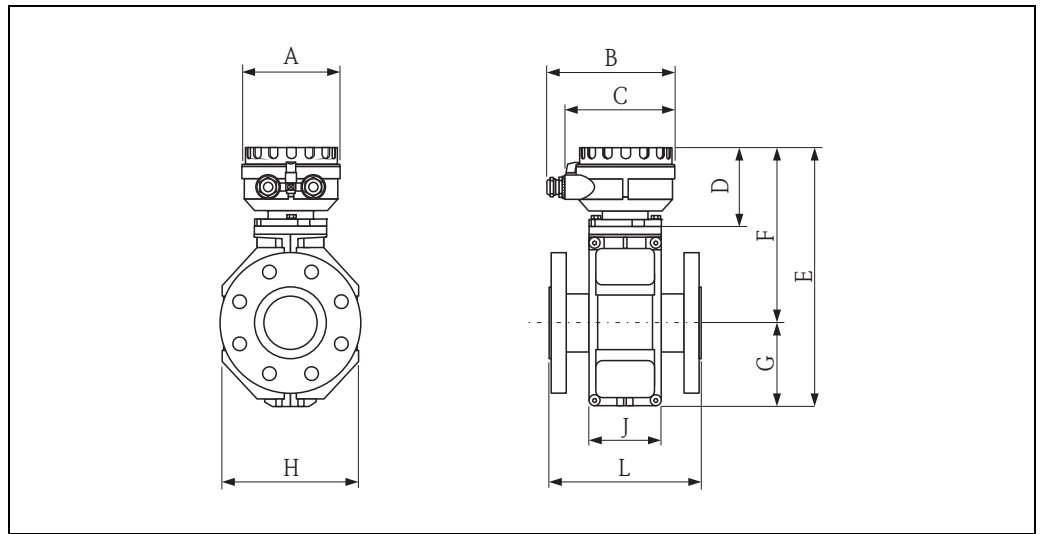
#### *Installation in control panel*



#### *Pipe mounting*



Sensor, remote version DN 15 to 300 (1/2 to 12")



A0012462

Dimensions (SI units)

DN EN (DIN) / JIS	L <sup>1)</sup>	A	B	C	D	E	F	G	H	J
15	200	129	163	143	102	286	202	84	120	94
25	200					286	202	84	120	94
32	200					286	202	84	120	94
40	200					286	202	84	120	94
50	200					286	202	84	120	94
65	200					336	227	109	180	94
80	200					336	227	109	180	94
100	250					336	227	109	180	94
125	250					417	267	150	260	140
150	300					417	267	150	260	140
200	350					472	292	180	324	156
250	450					522	317	205	400	166
300	500					572	342	230	460	166

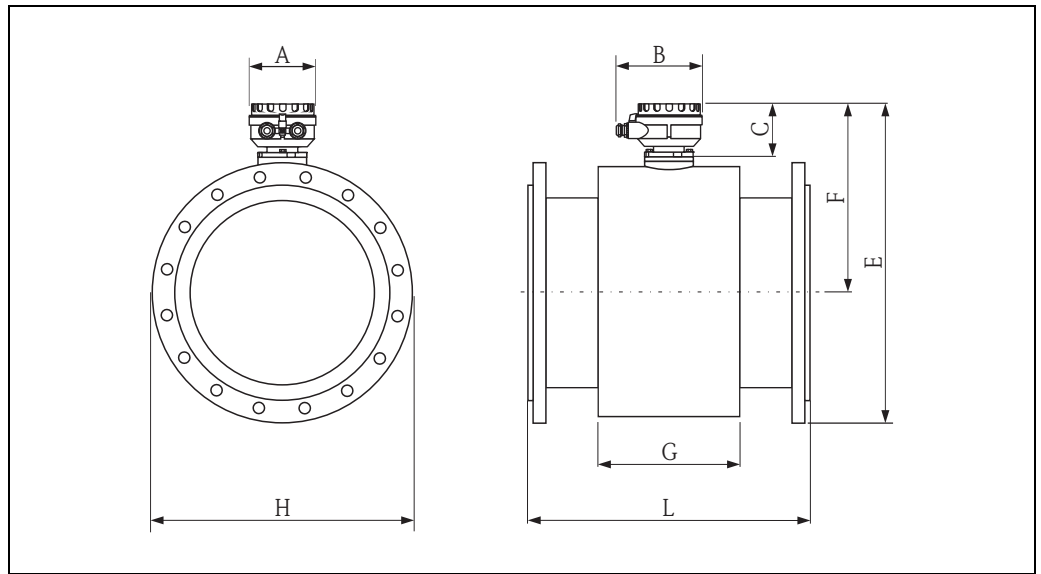
<sup>1)</sup> The length is regardless of the pressure rating selected. Fitting length to DVGW.  
All dimensions in [mm]

*Dimensions (US units)*

DN ASME	L <sup>1)</sup>	A	B	C	D	E	F	G	H	J
½"	7.87	5.08	6.42	5.63	4.02	11.3	7.95	3.31	4.72	3.70
1"	7.87					11.3	7.95	3.31	4.72	3.70
1½"	7.87					11.3	7.95	3.31	4.72	3.70
2"	7.87					11.3	7.95	3.31	4.72	3.70
3"	7.87					13.2	8.94	4.29	7.09	3.70
4"	9.84					13.2	8.94	4.29	7.09	3.70
6"	11.8					16.4	10.5	5.91	10.2	5.51
8"	13.8					18.6	11.5	7.08	12.8	6.14
10"	17.7					20.6	12.5	8.07	15.8	6.54
12"	19.7					22.5	13.5	9.06	18.1	6.54

<sup>1)</sup> The length is regardless of the pressure rating selected. Fitting length to DVGW.  
All dimensions in [inch]

Sensor, remote version DN 350 to 600 (14 to 24")



A0014987

Dimensions (SI units)

DN	L	A	B	C	F	G
350	550	129	163	102	353	290
400	600				379	290
450	600				407	290
500	600				432	290
600	600				473	290

All dimensions in [mm]

DN	E at pressure rating				H at pressure rating			
	PN 6	PN 10	PN 16	ASME	PN 6	PN 10	PN 16	ASME
350	598	605	613	619	490	505	520	533
400	649	661	669	677	540	565	580	597
450	704	714	727	724	595	615	640	635
500	754	767	789	781	645	670	715	699
600	850	863	893	879	755	780	840	813

All dimensions in [mm]

*Dimensions (US units)*

DN	L	A	A*	B	C	D	F	G
14"	21.6	5.08	6.42	4.02	13.9	11.4	21.6	5.08
16"	23.6				14.9	11.4	23.6	
18"	23.6				16.0	11.4	23.6	
20"	23.6				17.0	11.4	23.6	
24"	23.6				18.6	11.4	23.6	

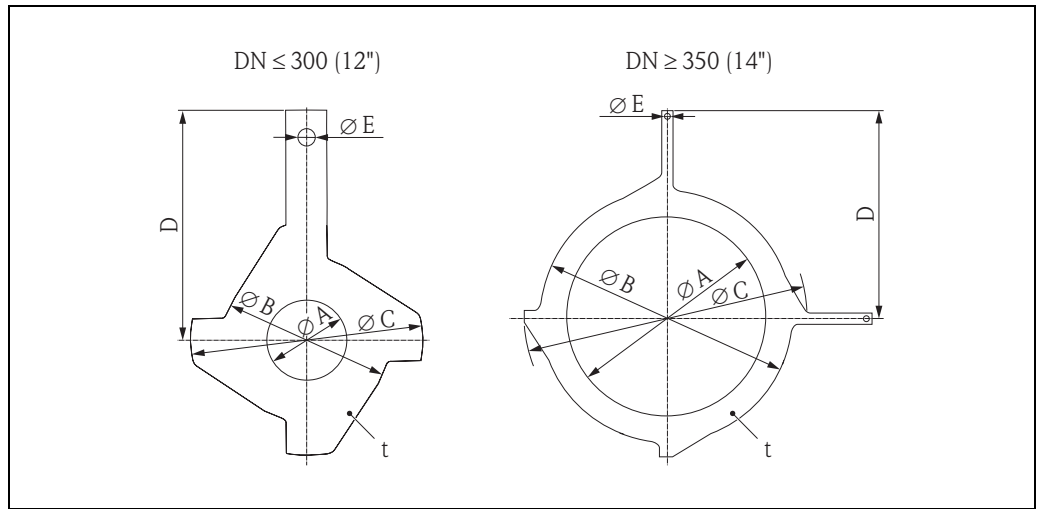
All dimensions in [inch]

DN	E at pressure rating				H at pressure rating			
	PN 6	PN 10	PN 16	ASME	PN 6	PN 10	PN 16	ASME
14"	23.5	23.8	24.1	24.4	19.93	19.9	20.5	21.0
16"	25.6	26.0	26.3	26.7	21.3	22.2	22.8	23.5
18"	27.7	28.1	28.6	28.5	23.4	24.2	25.2	25.0
20"	29.7	30.2	31.1	30.7	25.4	26.4	28.1	27.5
24"	33.5	34.0	35.2	34.6	29.7	30.7	33.1	32.0

All dimensions in [inch]



Ground disk for flange connections



A0003221

Dimensions (SI units)

DN <sup>1)</sup> EN (DIN) / JIS	A PTFE	B	C	D	E	t
15	16	43	761.5	73.0	6.5	2
25	26	62	77.5	87.5		
32	35	80	87.5	94.5		
40	41	82	101	103		
50	52	101	115.5	108		
65	68	121	131.5	118		
80	80	131	154.5	135		
100	104	156	186.5	153		
125	130	187	206.5	160		
150	158	217	256	184		
200	206	267	288	205		
250	260	328	359	240		
300 <sup>2)</sup>	312	375	413	273		
300 <sup>3)</sup>	310	375	404	268		
350 <sup>2)</sup>	343	420	479	365		
400 <sup>2)</sup>	393	470	542	395		
450 <sup>2)</sup>	439	525	583	417		
500 <sup>2)</sup>	493	575	650	460		
600 <sup>2)</sup>	593	676	766	522		

<sup>1)</sup> Ground disks at DN 15 to 250 (½ to 10") can be used for all flange standards/pressure ratings.

<sup>2)</sup> PN 10/16

<sup>3)</sup> JIS 10K

All dimensions in [mm]

## Dimensions (US units)

DN <sup>1)</sup> ASME	A PTFE	B	C	D	E	t
½"	0.63	1.69	2.42	2.87	0.26	0.08
1"	1.02	2.44	3.05	3.44		
1½"	1.61	3.23	3.98	4.06		
2"	2.05	3.98	4.55	4.25		
3"	3.15	5.16	6.08	5.31		
4"	4.09	6.14	7.34	6.02		
6"	6.22	8.54	10.1	7.24		
8"	8.11	10.5	11.3	8.07		
10"	10.2	12.9	14.1	9.45		
12"	12.3	14.8	16.3	10.8		
14"	13.5	16.5	18.9	14.4	0.35	
16"	15.5	18.5	21.3	15.6		
18"	17.3	20.7	23.0	16.4		
20"	19.4	22.6	25.6	18.1		
24"	23.4	26.6	30.2	20.6		

<sup>1)</sup> Ground disks can be used for all flange standards/pressure ratings.  
All dimensions in [inch]

## Weight

## Weight in SI units

Nominal diameter		Weight data in kg					
[mm]	[inch]	Compact version				ASME Class 150	JIS 10K
		EN (DIN)					
		PN 6	PN 10	PN 16	PN 40		
15	½"	-	-	-	6.5	6.5	6.5
25	1"	-	-	-	7.3	7.3	7.3
32	-	-	-	-	8.0	-	7.3
40	1½"	-	-	-	9.4	9.4	8.3
50	2"	-	-	-	10.6	10.6	9.3
65	-	-	-	12.0	-	-	11.1
80	3"	-	-	14.0	-	14.0	12.5
100	4"	-	-	16.0	-	16.0	14.7
125	-	-	-	21.5	-	-	21.0
150	6"	-	-	25.5	-	25.5	24.5
200	8"	-	45.0	46.0	-	45.0	41.9
250	10"	-	65.0	70.0	-	75.0	69.4
300	12"	-	70.0	81.0	-	110.0	72.3
350	14"	77.4	88.4	99.4	-	137.4	-
400	16"	89.4	104.4	120.4	-	168.4	-
450	18"	99.4	112.4	133.4	-	191.4	-
500	20"	114.4	132.4	182.4	-	228.4	-
600	24"	155.4	162.4	260.4	-	302.4	-

- Transmitter (compact version): 1.8 kg
- Weight data without packaging material

Nominal diameter		Remote version (without cable)						Transmitter Wall-mount housing
		Sensor						
[mm]	[inch]	EN (DIN)		ASME	JIS			
		PN 6	PN 10	PN 16	PN 40	Class 150	10K	
15	½"	-	-	-	4.5	4.5	4.5	6.0
25	1"	-	-	-	5.3	5.3	5.3	
32	-	-	-	-	6.0	-	5.3	
40	1½"	-	-	-	7.4	7.4	6.3	
50	2"	-	-	-	8.6	8.6	7.3	
65	-	-	-	10.0	-	-	9.1	
80	3"	-	-	12.0	-	12.0	10.5	
100	4"	-	-	14.0	-	14.0	12.7	
125	-	-	-	19.5	-	-	19.0	
150	6"	-	-	23.5	-	23.5	22.5	
200	8"	-	43.0	44.0	-	43.0	39.9	
250	10"	-	63.0	68.0	-	73.0	67.4	
300	12"	-	68.0	79.0	-	108.0	70.3	
350	14"	73.1	84.1	95.1	-	133.1		
400	16"	85.1	100.1	116.1	-	164.1		
450	18"	95.1	108.1	129.1	-	187.1		
500	20"	110.1	128.1	178.1	-	224.1		
600	24"	158.1	158.1	256.1	-	298.1		

- Transmitter (remote version): 3.1 kg
- Weight data without packaging material

Weight in US units (ASME only)

Nominal diameter		Compact version	Remote version (without cable)	
		ASME	Sensor	Transmitter
[mm]	[inch]	ASME	ASME	
		Class 150	Class 150	Wall-mount housing
15	½"	14.3	9.92	13.2
25	1"	16.1	11.7	
40	1½"	20.7	16.3	
50	2"	23.4	19.0	
80	3"	30.9	26.5	
100	4"	35.3	30.9	
150	6"	56.2	51.8	
200	8"	99.2	94.8	
250	10"	165.4	161.0	
300	12"	242.6	238.1	
350	14"	303.0	293.5	
400	16"	371.3	361.8	
450	18"	422.0	412.6	
500	20"	503.6	494.1	
600	24"	666.8	657.3	

- Transmitter: 4.0 lbs (compact version); 6.8 lbs (remote version)
- Weight data without packaging material

**Measuring tube specifications**

Diameter		Pressure rating			Internal diameter	
[mm]	[inch]	EN (DIN) [bar]	ASME [lbs]	JIS	PTFE [mm]	[inch]
15	½"	PN 40	Cl. 150	20K	14	0.55
25	1"	PN 40	Cl. 150	20K	26	1.02
32	-	PN 40	-	20K	34	1.34
40	1½"	PN 40	Cl. 150	20K	40	1.57
50	2"	PN 40	Cl. 150	10K	51	2.01
65	-	PN 16	-	10K	67	2.64
80	3"	PN 16	Cl. 150	10K	79	3.11
100	4"	PN 16	Cl. 150	10K	103	4.06
125	-	PN 16	-	10K	128	5.04
150	6"	PN 16	Cl. 150	10K	155	6.10
200	8"	PN 10/16	Cl. 150	10K	203	7.99
250	10"	PN 10	-	10K	257	10.1
250	10"	PN 16	Cl. 150	10K	255	10.0
300	12"	PN 16	Cl. 150	10K	302	11.9
350	14"	PN 6/10	-	-	338	13.3
350	14"	PN 16	Cl. 150	-	336	13.2
400	16"	PN 6/10	-	-	388	15.3
400	16"	PN 16	-	-	386	15.2
400	16"	-	Cl. 150	-	384	15.1
450	18"	PN 6/10	-	-	440	17.3
450	18"	PN 16	-	-	438	17.2
450	18"	-	Cl. 150	-	436	17.2
500	20"	PN 6/10	-	-	491	19.3
500	20"	PN 16	-	-	487	19.2
500	20"	-	Cl. 150	-	485	19.1
600	24"	PN 6	-	-	592	23.3
600	24"	PN 10	-	-	590	23.2
600	24"	PN 16	-	-	588	23.2
600	24"	-	Cl. 150	-	586	23.1

**Material**

- Transmitter housing
  - Compact housing: powder-coated die-cast aluminum
  - Wall-mount housing: powder-coated die-cast aluminum
- Sensor housing
  - DN 25 to 300 (1 to 12"): powder-coated die-cast aluminum
  - DN 350 to 600 (14 to 24"): with protective lacquering
- Measuring tube
  - DN ≤ 300 (12"): stainless steel 1.4301 (304) or 1.4306 (304L) (with Al/Zn protective coating)
  - DN ≥ 350 (14"): stainless steel 1.4301 (304) or 1.4306 (304L) (with protective lacquering)
- Electrodes: 1.4435 (316, 316L), Alloy C22, tantalum
- Flanges (with protective lacquering)
  - EN 1092-1 (DIN2501): RSt37-2 (S235JRG2); Alloy C22; Fe 410W B
  - ASME: A105
  - JIS: RSt37-2 (S235JRG2); HII
- Seals: to DIN EN 1514-1
- Ground disks: 1.4435 (316, 316L) or Alloy C22

**Fitted electrodes**

- Measuring electrodes, reference electrodes and empty pipe detection electrodes:
- Standard available with 1.4435 (316, 316L), Alloy C22, tantalum

<b>Process connections</b>	Flange connection: <ul style="list-style-type: none"> <li>▪ EN 1092-1 (DIN 2501), DN ≤ 300 (12") form A, DN ≥ 350 (14") form B (Dimensions to DIN 2501, DN 65 PN 16 and DN 600 (24") PN 16 exclusively to EN 1092-1)</li> <li>▪ ASME B16.5</li> <li>▪ JIS B2220</li> </ul>
----------------------------	--

<b>Surface roughness</b>	Electrodes with 1.4435 (316, 316L), Alloy C22: ≤ 0.3 to 0.5 μm (11.8 to 19.7 μin) (All data refer to parts in contact with medium)
--------------------------	---

## Operability

<b>Display elements</b>	<ul style="list-style-type: none"> <li>▪ Liquid crystal display: backlit, four lines with 16 characters per line</li> <li>▪ Custom configurations for presenting different measured-value and status variables</li> <li>▪ 3 totalizer</li> </ul>
-------------------------	--

<b>Operating elements</b>	Unified operation concept for both types of transmitter: <ul style="list-style-type: none"> <li>▪ Local operation via three keys (□ ⊕ ⊞)</li> <li>▪ Application-specific Quick Setup menus for straightforward commissioning</li> </ul>
---------------------------	---

<b>Language groups</b>	Language groups available for operation in different countries: <ul style="list-style-type: none"> <li>▪ Western Europe and America (WEA): English, German, Spanish, Italian, French, Dutch, Portuguese</li> <li>▪ Eastern Europe and Scandinavia (EES): English, Russian, Polish, Norwegian, Finnish, Swedish, Czech</li> <li>▪ South and east Asia (SEA): English, Japanese, Indonesian</li> <li>▪ China (CN): English, Chinese</li> </ul> <p>You can change the language group via the operating program "FieldCare".</p>
------------------------	--

<b>Remote operation</b>	Remote control via HART, PROFIBUS DP/PA, Modbus RS485, FOUNDATION Fieldbus, EtherNet/IP
-------------------------	---

## Certificates and approvals

<b>CE mark</b>	The measuring system is in conformity with the statutory requirements of the EC Directives. Endress+Hauser confirms successful testing of the device by affixing to it the CE mark.
----------------	---

<b>C-tick mark</b>	The measuring system meets the EMC requirements of the "Australian Communications and Media Authority (ACMA)".
--------------------	--

<b>Pressure measuring device approval</b>	The devices can be ordered with or without a PED approval. If a device with a PED approval is required, this must be explicitly stated in the order. For devices with nominal diameters less than or equal to DN 25 (1"), this is neither possible nor necessary. <ul style="list-style-type: none"> <li>▪ With the PED/G1/x (x = category) marking on the sensor nameplate, Endress+Hauser confirms compliance with the "Essential Safety Requirements" specified in Annex I of the Pressure Equipment Directive 97/23/EC.</li> <li>▪ Devices bearing this marking (PED) are suitable for the following types of medium: Media in Group 1 and 2 with a vapor pressure greater than, or smaller and equal to 0.5 bar (7.3 psi)</li> <li>▪ Devices not bearing this marking (PED) are designed and manufactured according to good engineering practice. They meet the requirements of Art.3 Section 3 of the Pressure Equipment Directive 97/23/EC. The range of application is indicated in tables 6 to 9 in Annex II of the Pressure Equipment Directive.</li> </ul>
---	---

<b>Ex approval</b>	Information about currently available Ex versions (ATEX, IECEx, FM, CSA, NEPSI) can be supplied by your Endress+Hauser Sales Center on request. All explosion protection data are given in a separate documentation which is available upon request.
<b>Other standards and guidelines</b>	<ul style="list-style-type: none"> <li>■ EN 60529 Degrees of protection by housing (IP code)</li> <li>■ EN 61010 Protection Measures for Electrical Equipment for Measurement, Control, Regulation and Laboratory Procedures.</li> <li>■ IEC/EN 61326 "Emission in accordance with requirements for Class A". Electromagnetic compatibility (EMC requirements)</li> <li>■ NAMUR NE 21: Electromagnetic compatibility (EMC) of industrial process and laboratory control equipment.</li> <li>■ NAMUR NE 43: Standardization of the signal level for the breakdown information of digital transmitters with analog output signal.</li> <li>■ NAMUR NE 53: Software of field devices and signal-processing devices with digital electronics.</li> <li>■ ASME/ISA-S82.01 Safety Standard for Electrical and Electronic Test, Measuring, Controlling and related Equipment - General Requirements Pollution degree 2, Installation Category II.</li> <li>■ CAN/CSA-C22.2 No. 1010.1-92 Safety requirements for Electrical Equipment for Measurement and Control and Laboratory Use. Pollution degree 2, Installation Category II</li> </ul>
<b>PROFIBUS DP/PA certification</b>	<p>The flow device has successfully passed all the test procedures carried out and is certified and registered by the PNO (PROFIBUS User Organisation). The device thus meets all the requirements of the following specifications:</p> <ul style="list-style-type: none"> <li>■ Certified to PROFIBUS PA, profile version 3.0 (device certification number: on request)</li> <li>■ The device can also be operated with certified devices of other manufacturers (interoperability)</li> </ul>
<b>Modbus RS485 certification</b>	<p>The measuring device meets all the requirements of the Modbus/TCP conformity test and has the "Modbus/TCP Conformance Test Policy, Version 2.0". The measuring device has successfully passed all the test procedures carried out and is certified by the "Modbus/TCP Conformance Test Laboratory" of the University of Michigan.</p>
<b>FOUNDATION Fieldbus certification</b>	<p>The flow device has successfully passed all the test procedures carried out and is certified and registered by the Fieldbus Foundation. The device thus meets all the requirements of the following specifications:</p> <ul style="list-style-type: none"> <li>■ Certified to FOUNDATION Fieldbus Specification</li> <li>■ The device meets all the specifications of the FOUNDATION Fieldbus H1.</li> <li>■ Interoperability Test Kit (ITK), revision status 5.01 (device certification number: on request)</li> <li>■ The device can also be operated with certified devices of other manufacturers</li> <li>■ Physical Layer Conformance Test of the Fieldbus Foundation</li> </ul>

## Ordering information

Detailed ordering information is available from the following sources:

- In the Product Configurator on the Endress+Hauser website: [www.endress.com](http://www.endress.com) → Select country → Instruments → Select device → Product page function: Configure this product
- From your Endress+Hauser Sales Center: [www.endress.com/worldwide](http://www.endress.com/worldwide)



Note!

### Product Configurator - the tool for individual product configuration

- Up-to-the-minute configuration data
- Depending on the device: Direct input of measuring point-specific information such as measuring range or operating language
- Automatic verification of exclusion criteria
- Automatic creation of the order code and its breakdown in PDF or Excel output format
- Ability to order directly in the Endress+Hauser Online Shop

## Accessories

Various accessories, which can be ordered separately from Endress+Hauser, are available for the transmitter and the sensor. Your Endress+Hauser service organization can provide detailed information on the order codes in question.

## Documentation

- Flow Measurement (FA00005D/06)
- Operating Instructions:
  - HART: BA00047D/06, BA00048D/06
  - PROFIBUS DP/PA: BA00053D/06, BA00054D/06
  - Modbus RS485: BA00117D/06, BA00118D/06
  - FOUNDATION Fieldbus: BA00052D/06, BA00051D/06
  - EtherNet/IP: SD00146D/06
- Supplementary documentation on Ex-ratings: ATEX, IECEx

## Registered trademarks

HART®

Registered trademark of the HART Communication Foundation, Austin, USA

PROFIBUS®

Registered trademark of the PROFIBUS Nutzerorganisation e.V., Karlsruhe, D

FOUNDATION™ Fieldbus

Registered trademark of the Fieldbus Foundation, Austin, USA

Modbus®

Registered trademark of SCHNEIDER AUTOMATION, INC.

HistoROM™, S-DAT®, T-DAT™, F-CHIP®, FieldCare®, Fieldcheck®, FieldXpert™, Applicator®

Registered or registration-pending trademarks of Endress+Hauser Flowtec AG, Reinach, CH

[www.addresses.endress.com](http://www.addresses.endress.com)

---