



Level



Pressure



Flow



Temperature



Liquid
Analysis



Registration



Systems
Components



Services

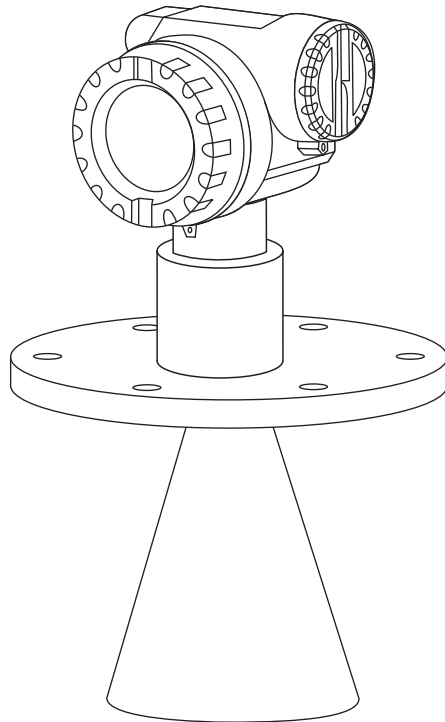


Solutions

Operating Instructions

Micropilot M FMR230

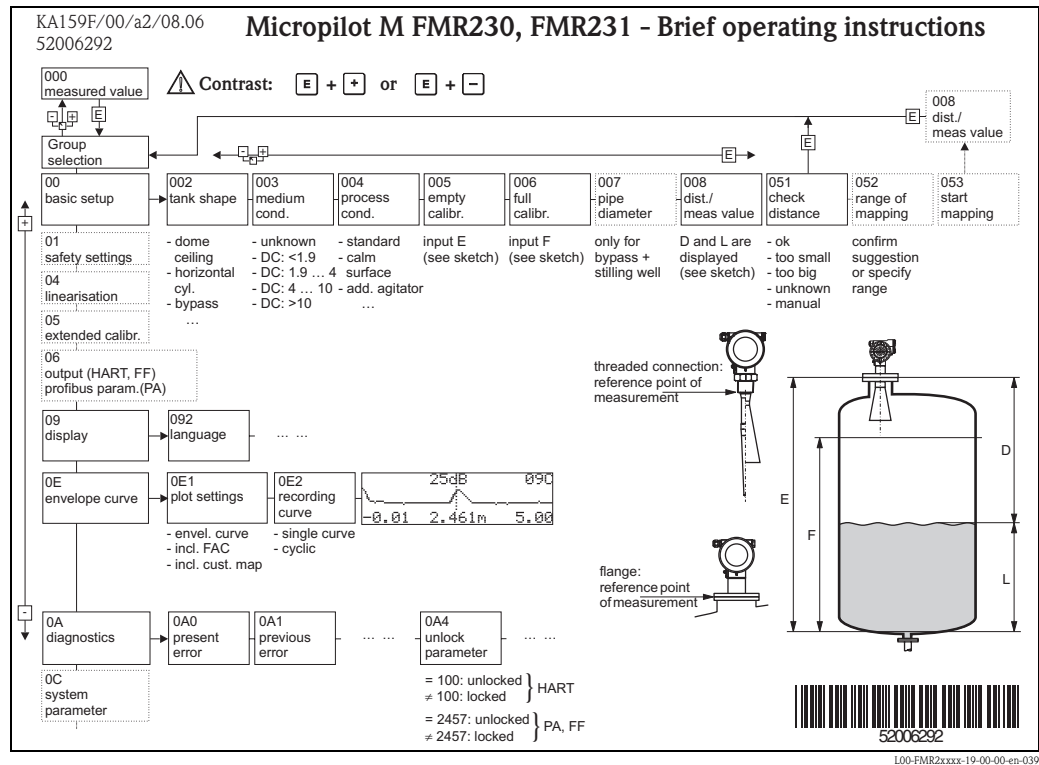
Level-Radar



BA00218F/00/EN/13.11
71139429

Valid as of software version:
01.04.00

Brief operating instructions



Note!

This operating manual explains the installation and initial start-up for the level transmitter. All functions that are required for a typical measuring task are taken into account here. In addition, the Micropilot M provides many other functions that are not included in this operating manual, such as optimising the measuring point and converting the measured values.

An **overview of all device functions** can be found on → 86.

The operating manual BA00221F/00/EN "Description of Instrument Functions" provides an **extensive description of all device functions**, which can be found on the enclosed CD-ROM.

Table of contents

1	Safety instructions	4	9	Trouble-shooting	66
1.1	Designated use	4	9.1	Trouble-shooting instructions	66
1.2	Installation, commissioning and operation	4	9.2	System error messages	67
1.3	Operational safety and process safety	4	9.3	Application errors	69
1.4	Notes on safety conventions and symbols	5	9.4	Orientation of the Micropilot	71
2	Identification	6	9.5	Spare Parts	73
2.1	Device designation	6	9.6	Return	74
2.2	Scope of delivery	9	9.7	Disposal	74
2.3	Certificates and approvals	9	9.8	Software history	74
2.4	Registered trademarks	9	9.9	Contact addresses of Endress+Hauser	74
3	Mounting	10	10	Technical data	75
3.1	Quick installation guide	10	10.1	Additional technical data	75
3.2	Incoming acceptance, transport, storage	11	11	Appendix	86
3.3	Installation conditions	12	11.1	Operating menu HART (display modul)	86
3.4	Installation instructions	18	11.2	Patents	88
3.5	Post-installation check	26	Index	89	
4	Wiring	27			
4.1	Quick wiring guide	27			
4.2	Connecting the measuring unit	29			
4.3	Recommended connection	32			
4.4	Degree of protection	32			
4.5	Post-connection check	32			
5	Operation	33			
5.1	Quick operation guide	33			
5.2	Display and operating elements	35			
5.3	Local operation	38			
5.4	Display and acknowledging error messages	41			
5.5	HART communication	42			
6	Commissioning	45			
6.1	Function check	45			
6.2	Switching on the measuring device	45			
6.3	Basic Setup	46			
6.4	Basic Setup with the device display	48			
6.5	Basic Setup with the Endress+Hauser oprating program	58			
7	Maintenance	62			
8	Accessories	63			
8.1	Weather protection cover	63			
8.2	Commubox FXA195 HART	63			
8.3	Commubox FXA291	63			
8.4	ToF Adapter FXA291	63			
8.5	Antenna extension FAR10	64			
8.6	Remote display FHX40	65			

1 Safety instructions

1.1 Designated use

The Micropilot M is a compact radar level transmitter for the continuous, contactless measurement of liquids, pastes and sludge. The device can also be freely mounted outside closed metal vessels because of its operating frequency of about 6 GHz and a maximum radiated pulsed energy of 1 mW (average power output 1 μ W). Operation is completely harmless to humans and animals.

1.2 Installation, commissioning and operation

The Micropilot M has been designed to operate safely in accordance with current technical, safety and EU standards. If installed incorrectly or used for applications for which it is not intended, however, it is possible that application-related dangers may arise, e.g. product overflow due to incorrect installation or calibration. For this reason, the instrument must be installed, connected, operated and maintained according to the instructions in this manual: personnel must be authorised and suitably qualified. The manual must have been read and understood, and the instructions followed. Modifications and repairs to the device are permissible only when they are expressly approved in the manual.

1.3 Operational safety and process safety

Alternative monitoring measures must be taken to ensure operational safety and process safety during configuration, testing and maintenance work on the device.

1.3.1 Hazardous areas

Measuring systems for use in hazardous environments are accompanied by separate "Ex documentation", which is an integral part of this Operating Manual. Strict compliance with the installation instructions and ratings as stated in this supplementary documentation is mandatory.

- Ensure that all personnel are suitably qualified.
- Observe the specifications in the certificate as well as national and local standards and regulations.

1.3.2 FCC approval

This device complies with part 15 of the FCC Rules. Operation is subject to the following two conditions:

1. This device may not cause harmful interference, and
2. this device must accept any interference received, including interference that may cause undesired operation.









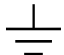


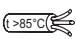


Caution!

Changes or modifications not expressly approved by the part responsible for compliance could void the user's authority to operate the equipment.

1.4 Notes on safety conventions and symbols

In order to highlight safety-relevant or alternative operating procedures in the manual, the following conventions have been used, each indicated by a corresponding symbol in the margin.

Safety conventions	
	<p>Warning! A warning highlights actions or procedures which, if not performed correctly, will lead to personal injury, a safety hazard or destruction of the instrument.</p>
	<p>Caution! Caution highlights actions or procedures which, if not performed correctly, may lead to personal injury or incorrect functioning of the instrument.</p>
	<p>Note! A note highlights actions or procedures which, if not performed correctly, may indirectly affect operation or may lead to an instrument response which is not planned.</p>
Explosion protection	
	<p>Device certified for use in explosion hazardous area If the device has this symbol embossed on its name plate it can be installed in an explosion hazardous area.</p>
	<p>Explosion hazardous area Symbol used in drawings to indicate explosion hazardous areas. Devices located in and wiring entering areas with the designation “explosion hazardous areas” must conform with the stated type of protection.</p>
	<p>Safe area (non-explosion hazardous area) Symbol used in drawings to indicate, if necessary, non-explosion hazardous areas. Devices located in safe areas still require a certificate if their outputs run into explosion hazardous areas.</p>
Electrical symbols	
	<p>Direct voltage A terminal to which or from which a direct current or voltage may be applied or supplied.</p>
	<p>Alternating voltage A terminal to which or from which an alternating (sine-wave) current or voltage may be applied or supplied.</p>
	<p>Grounded terminal A grounded terminal, which as far as the operator is concerned, is already grounded by means of an earth grounding system.</p>
	<p>Protective grounding (earth) terminal A terminal which must be connected to earth ground prior to making any other connection to the equipment.</p>
	<p>Equipotential connection (earth bonding) A connection made to the plant grounding system which may be of type e.g. neutral star or equipotential line according to national or company practice.</p>
	<p>Temperature resistance of the connection cables States, that the connection cables must be resistant to a temperature of at least 85 °C (185 °F).</p>

2 Identification

2.1 Device designation

2.1.1 Nameplate

The following technical data are given on the instrument nameplate:

The nameplate diagram shows the following layout:

- Top left: **EH** ENDRESS+HAUSER logo.
- Field 1: Instrument designation.
- Field 2: Order Code.
- Field 3: Ser.-No. (Serial number).
- Field 4: Process pressure.
- Field 5: Process temperature.
- Field 6: Length (optional).
- Field 7: Power supply.
- Field 8: Current supply.
- Field 9: Ambient temperature.
- Field 10: Cable specification.
- Field 11: Factory sealed.
- Field 12: Radio equipment number.
- Field 13: TÜV identification mark.
- Field 14: Certificate symbol (optional) e.g. Ex, NEPSI.
- Field 15: Certificate symbol (optional) e.g. 3A.
- Field 16: Certificate symbol (optional) e.g. SIL, FF.
- Field 17: Place of production.
- Field 18: Degree of protection e.g. IP65, IP67.
- Field 19: Certificates and approvals.
- Field 20: Document number of safety instructions e.g. XA, ZD, ZE.
- Field 21: Dat./Insp. (Date/Inspection) xx / yy (xx = week of production, yy = year of production).

Additional symbols and text on the nameplate include:

- CE mark (field 12).
- Warning triangle symbol (field 20).
- Patents symbol (field 20).
- Text: "X = if modification see sep. label".

L00-FMR2xxxx-18-00-00-en-001

Information on the nameplate of the Micropilot M

- 1 Instrument designation
- 2 Order code
- 3 Serial number
- 4 Process pressure
- 5 Process temperature
- 6 Length (optional)
- 7 Power supply
- 8 Current supply
- 9 Ambient temperature
- 10 Cable specification
- 11 Factory sealed
- 12 Radio equipment number
- 13 TÜV identification mark
- 14 Certificate symbol (optional) e.g. Ex, NEPSI
- 15 Certificate symbol (optional) e.g. 3A
- 16 Certificate symbol (optional) e.g. SIL, FF
- 17 Place of production
- 18 Degree of protection e.g. IP65, IP67
- 19 Certificates and approvals
- 20 Document number of safety instructions e.g. XA, ZD, ZE
- 21 Dat./Insp. xx / yy (xx = week of production, yy = year of production)

2.1.2 Ordering structure

This overview does not mark options which are mutually exclusive.

10		Approval	
A			Non-hazardous area
F			Non-hazardous area, WHG
1			ATEX II 1/2G EEx ia IIC T6, IECEx Zone 0/1
2			ATEX II 1/2G EEx ia IIC T6, XA, IECEx Zone 0/1, Note safety instruction (XA) (electrostatic charging)!
3			ATEX II 1/2G EEx em (ia) IIC T6
4			ATEX II 1/2G EEx d (ia) IIC T6, IECEx Zone 0/1
6			ATEX II 1/2G EEx ia IIC T6, WHG, IECEx Zone 0/1
7			ATEX II 1/2G EEx ia IIC T6, WHG, XA, IECEx Zone 0/1, Note safety instruction (XA) (electrostatic charging)!
8			ATEX II 1/2G EEx em (ia) IIC T6, WHG
G			ATEX II 3G EEx nA II T6
H			ATEX II 1/2G EEx ia IIC T6, ATEX II 3D
S			FM IS - Cl.I Div.1 Gr. A-D, zone 0, 1, 2
T			FM XP - Cl.I Div.1 Group A-D, zone 1, 2
N			CSA General Purpose
U			CSA IS - Cl.I Div.1 Group A-D, zone 0, 1, 2
V			CSA XP - Cl.I Div.1 Group A-D, zone 1, 2
L			TIIS EEx d (ia) IIC T4
M			TIIS EEx d (ia) IIC T1
I			NEPSI Ex ia IIC T6
J			NEPSI Ex d (ia) ia IIC T6
R			NEPSI Ex nAL IIC T6
Y			Special version, TSP-no. to be spec.

20		Antenna	
1			w/o horn, for pipe installation
2			80mm/3"
3			100mm/4"
4			150mm/6"
5			200mm/8"
6			250mm/10"
Y			Special version, TSP-no. to be spec.

30		Antenna Seal; Temperature	
V			FKM Viton; -40°C...200°C/-40°F...392°F, conductive media max 150°C/302°F
E			EPDM; -40°C...150°C/-40°F...302°F
K			Kalrez; -20°C...200°C/-4°F...392°F, conductive media max 150°C/302°F
L			Graphit; -60°C...280°C/-76°F...536°F
M			Graphit; -60°C...400°C/-76°F...752°F
Y			Special version, TSP-no. to be spec.

40		Process Connection	
CMJ			DN80 PN16 B1, 316L flange EN1092-1 (DIN2527 C)
CNJ			DN80 PN40 B1, 316L flange EN1092-1 (DIN2527 C)
CQJ			DN100 PN16 B1, 316L flange EN1092-1 (DIN2527 C)
CQ5			DN100 PN10/16, AlloyC4 > 316Ti flange EN1092-1 (DIN2527 C)
CRJ			DN100 PN40 B1, 316L flange EN1092-1 (DIN2527 C)
CWJ			DN150 PN16 B1, 316L flange EN1092-1 (DIN2527 C)
CW5			DN150 PN10/16, AlloyC4 > 316Ti flange EN1092-1 (DIN2527 C)
CXJ			DN200 PN16 B1, 316L flange EN1092-1 (DIN2527 C)
C6j			DN250 PN16 B1, 316L flange EN1092-1 (DIN2527 C)
C65			DN200 PN16, AlloyC4 > 316Ti flange EN1092-1 (DIN2527)
UKJ			2" 300lbs RF, 316/316L flange ANSI B16.5
ALJ			3" 150lbs RF, 316/316L flange ANSI B16.5
AMJ			3" 300lbs RF, 316/316L flange ANSI B16.5
APJ			4" 150lbs RF, 316/316L flange ANSI B16.5
AQJ			4" 300lbs RF, 316/316L flange ANSI B16.5
AVJ			6" 150lbs RF, 316/316L flange ANSI B16.5
AV5			6" 150lbs, AlloyC4 > 316Ti flange ANSI B16.5
A3J			8" 150lbs RF, 316/316L flange ANSI B16.5
A35			8" 150lbs, AlloyC4 > 316Ti flange ANSI B16.5
A5J			10" 150lbs RF, 316/316L flange ANSI B16.5
A55			10" 150lbs, AlloyC4 > 316Ti flange ANSI B16.5
KA2			10K 80A RF, 316Ti flange JIS B2220
KH2			10K 100A RF, 316Ti flange JIS B2220

40											Process Connection
											KV2 10K 150A RF, 316Ti flange JIS B2220 KD2 10K 200A RF, 316Ti flange JIS B2220 K52 10K 250A RF, 316Ti flange JIS B2220 TL2 Tri-Clamp ISO2852 DN70-76.1 (3"), 316Ti UV6 6" 150lbs FF, AlloyC4, purge flange ANSI B16.5 NUS YY9 Special version, TSP-no. to be spec.
50											Output; Operation
											A 4-20mA SIL HART; 4-line display VU331, envelope curve display on site B 4-20mA SIL HART; w/o display, via communication K 4-20mA SIL HART; Prepared for FHX40, remote display (Accessory) C PROFIBUS PA; 4-line display VU331, envelope curve display on site D PROFIBUS PA; w/o display, via communication L PROFIBUS PA; Prepared for FHX40, remote display (Accessory) E FOUNDATION Fieldbus; 4-line display, envelope curve display on site F FOUNDATION Fieldbus; w/o display, via communication M FOUNDATION Fieldbus; Prepared for FHX40, remote display (Accessory) Y Special version, TSP-no. to be spec.
60											Housing
											A F12 Alu, coated IP65 NEMA4X B F23 316L IP65 NEMA4X C T12 Alu, coated IP65 NEMA4X, separate conn. compartment D T12 Alu, coated IP65 NEMA4X+OVP, separate conn. compartment, OVP=overvoltage protection Y Special version, TSP-no. to be spec.
70											Cable Entry
											2 Gland M20 (EEx d > thread M20) 3 Thread G1/2 4 Thread NPT1/2 5 Plug M12 6 Plug 7/8" 9 Special version, TSP-no. to be spec.
80											Additional Option
											A Basic version B EN10204-3.1 material, watted parts (316L wetted parts) inspection certificate H 5-point linearity protocol, see additional spec. J 5-point, 3.1, NACE, 5-point linearity protocol, see additional spec., EN10204-3.1 material, NACE MR0175, (316L wetted parts) inspection certificate N EN10204-3.1, material, NACE MR0175 (316L wetted parts) inspection certificate S GL/ABS/NK marine certificate Y Special version, TSP-no. to be spec.
995											Marking
											1 Tagging (TAG) 2 Bus adress
FMR230-											Complete product designation

2.2 Scope of delivery



Caution!

It is essential to follow the instructions concerning the unpacking, transport and storage of measuring instruments given in the chapter "Incoming acceptance, transport, storage", → 11!

The scope of delivery consists of:

- Assembled instrument
- Accessories (→ 63)
- Endress+Hauser operating program on the enclosed CD-ROM
- Brief operating instructions KA01000F/00/EN for quick commissioning
- Brief operating instructions KA00159F/00/A2 (basic setup/troubleshooting), housed in the instrument
- Approval documentation: if this is not included in the operating manual
- CD-ROM with further documentation, e.g.
 - Technical Information
 - Operating Instruction
 - Description of Instrument Functions

2.3 Certificates and approvals

CE mark, declaration of conformity

The device is designed to meet state-of-the-art safety requirements, has been tested and left the factory in a condition in which it is safe to operate. The device complies with the applicable standards and regulations as listed in the EC declaration of conformity and thus complies with the statutory requirements of the EG directives. Endress+Hauser confirms the successful testing of the device by affixing to it the CE mark.

2.4 Registered trademarks

KALREZ[®], VITON[®], TEFLON[®]

Registered trademark of the company, E.I. Du Pont de Nemours & Co., Wilmington, USA

TRI-CLAMP[®]

Registered trademark of the company, Ladish & Co., Inc., Kenosha, USA

HART[®]

Registered trademark of HART Communication Foundation, Austin, USA

ToF[®]

Registered trademark of the company Endress+Hauser GmbH+Co. KG, Maulburg, Germany

PulseMaster[®]

Registered trademark of the company Endress+Hauser GmbH+Co. KG, Maulburg, Germany

PhaseMaster[®]

Registered trademark of the company Endress+Hauser GmbH+Co. KG, Maulburg, Germany

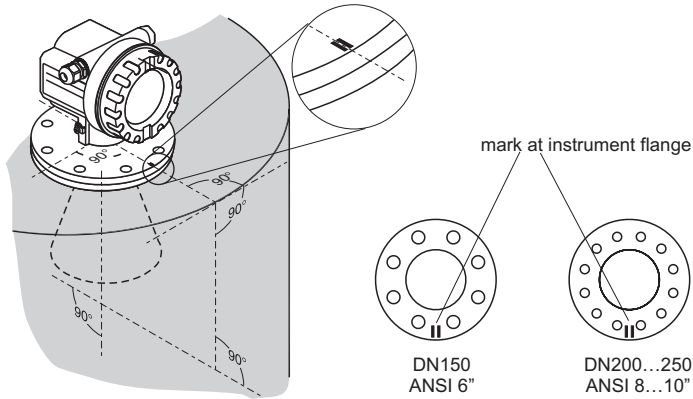
3 Mounting

3.1 Quick installation guide

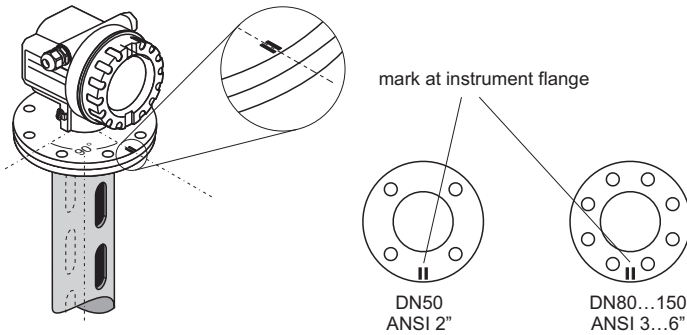


Observe orientation when installing!

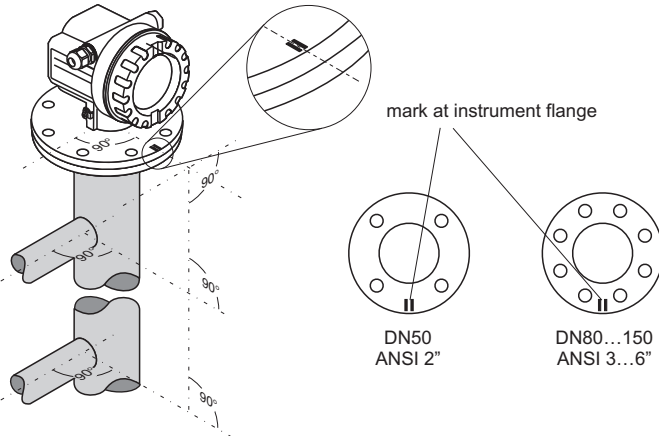
Installation in tank (free space):
Mark on process connector facing the nearest tank wall!



Installation in stilling well:
Mark on process connector pointed towards the slots or vent holes!



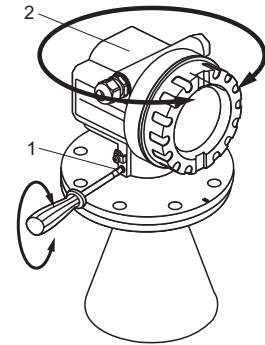
Installation in bypass:
Mark on process connector 90° offset from the tank connections!



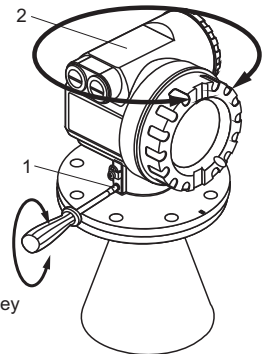
Turn housing

The housing can be turned 350° in order to simplify access to the display and the terminal compartment

F12/F23 housing



T12 housing



Allen key
4 mm

3.2 Incoming acceptance, transport, storage

3.2.1 Incoming acceptance

Check the packing and contents for any signs of damage.

Check the shipment, make sure nothing is missing and that the scope of supply matches your order.

3.2.2 Transport



Caution!

Follow the safety instructions and transport conditions for instruments of more than

18 kg (39.69 lbs). Do not lift the measuring instrument by its housing in order to transport it.

3.2.3 Storage

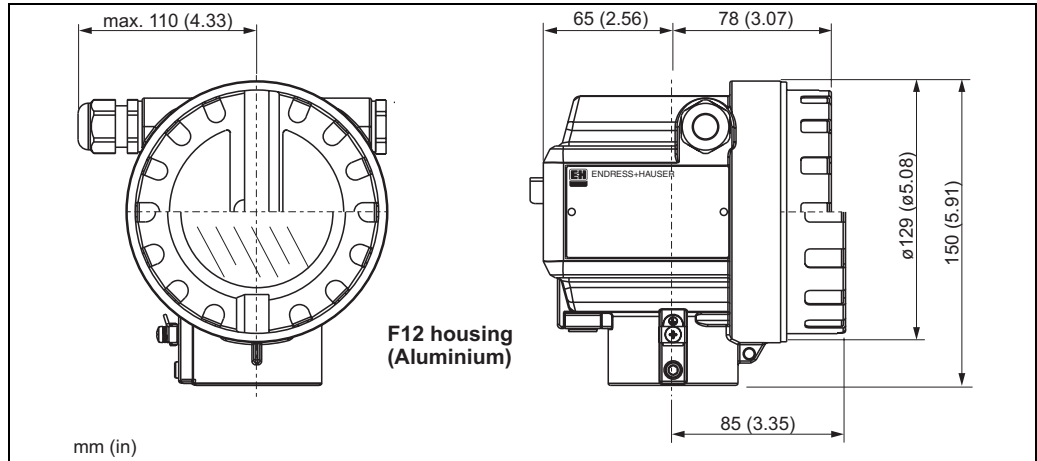
Pack the measuring instrument so that is protected against impacts for storage and transport. The original packing material provides the optimum protection for this.

The permissible storage temperature is -40 °C to +80 °C (-40 °F to +176 °F) or -50 °C to +80 °C (-58 °F to +176 °F).

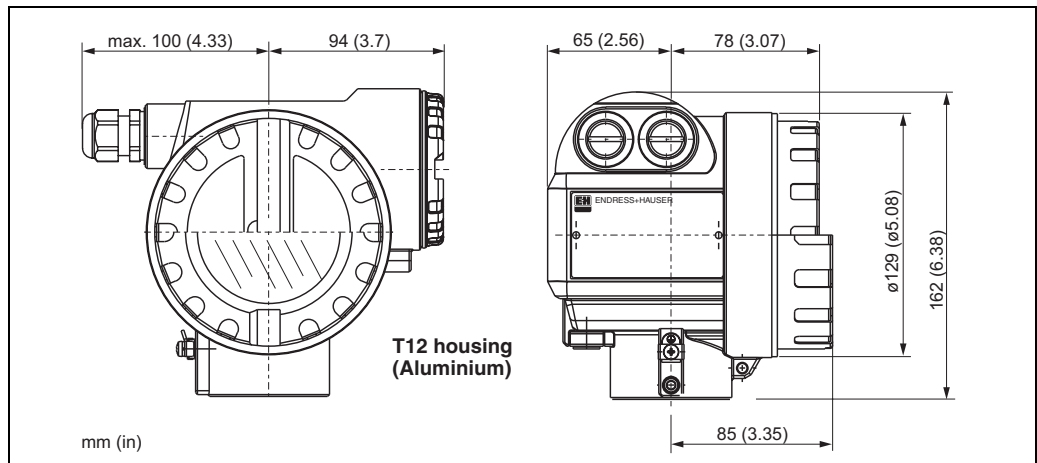
3.3 Installation conditions

3.3.1 Dimensions

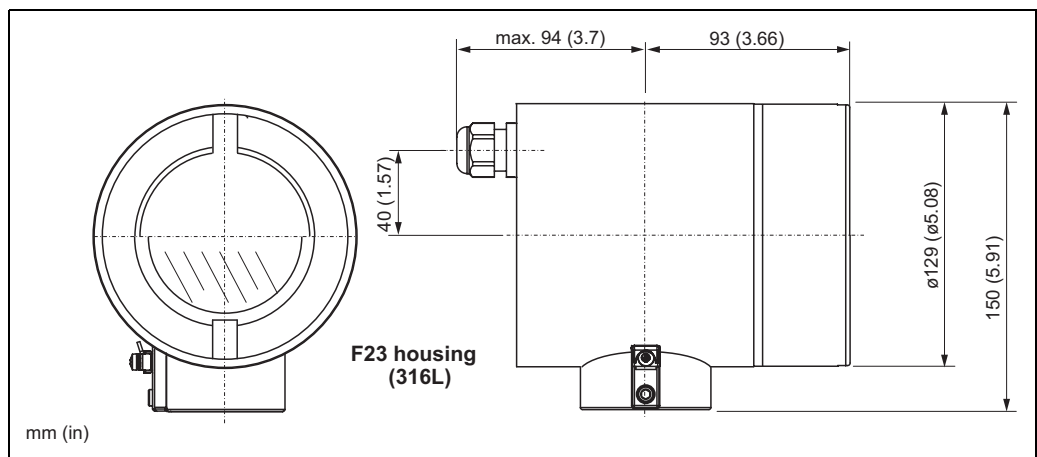
Housing dimensions



L00-F12xxxx-06-00-00-es-001



L00-T12xxxx-06-00-00-es-001

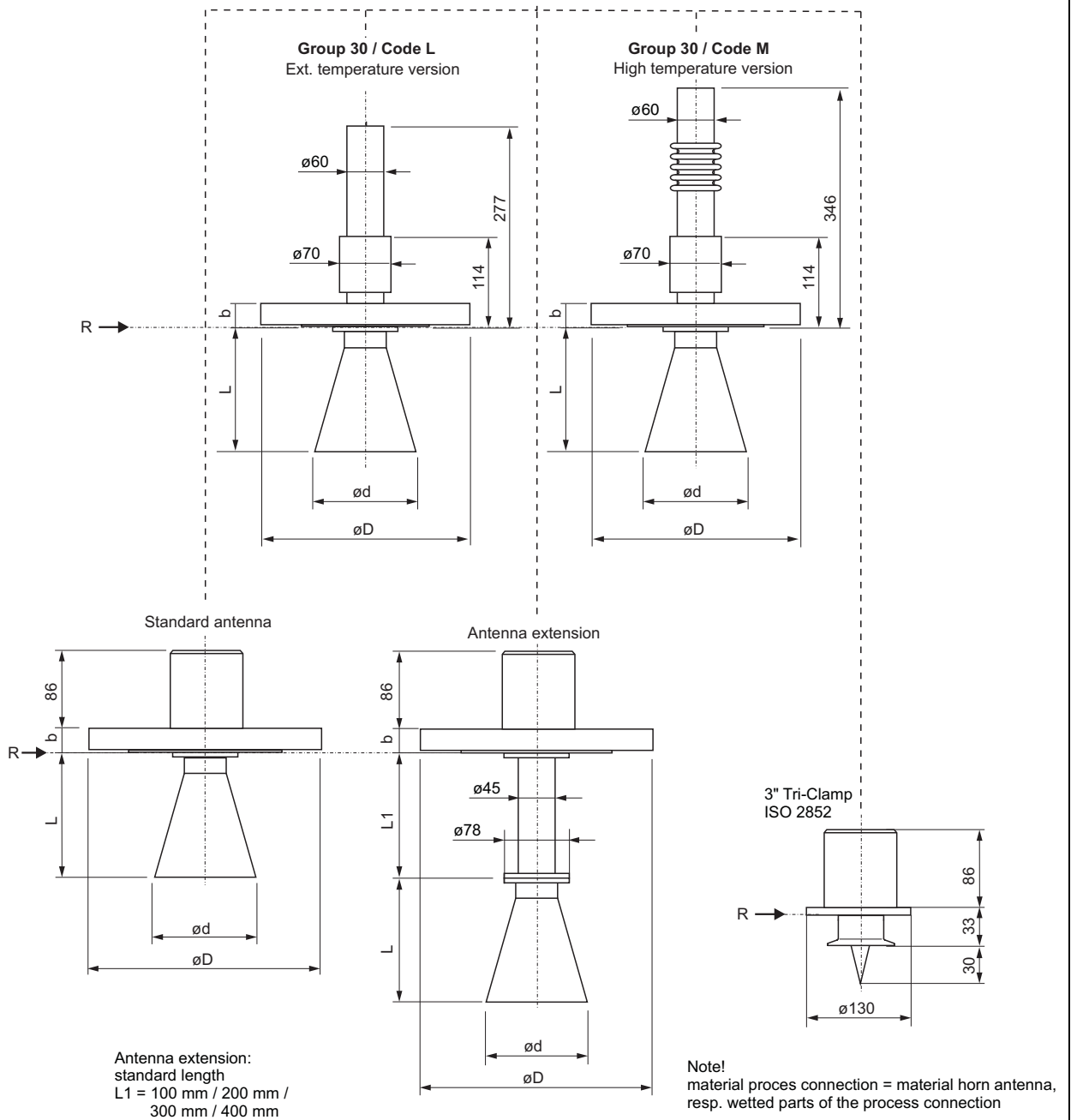


L00-F23xxxx-06-00-00-es-001

Process connection, type of antenna

R = reference point of measurement

F12 / T12 / F23 housing



Horn antenna

Antenna size	80mm/3"	100mm/4"	150mm/6"	200mm/8"	250mm/10"
L [mm]	316L 68	105	185	268	360
	Alloy4C 74	119	204	289	379
d [mm]	75	95	145	190	240

Flange to EN 1092-1 (agreeable to DIN 2527)

Flange	DN 80	DN 100	DN 150	DN 200	DN 250
b [mm]	20 (24)	20 (24)	22	24	26
D [mm]	200 (200)	220 (235)	285	340	405

for PN 16 (for PN 40)

Flange to ANSI B16.5

Flange	3"	4"	6"	8"	10"
b [mm]	23.9 (28.4)	23.9 (31.8)	25.4	28.4	30.2
D [mm]	190.5 (209.5)	228.6 (254)	279.4	342.9	406.4

for 150 lbs (for 300 lbs)

Flange to JIS B2220

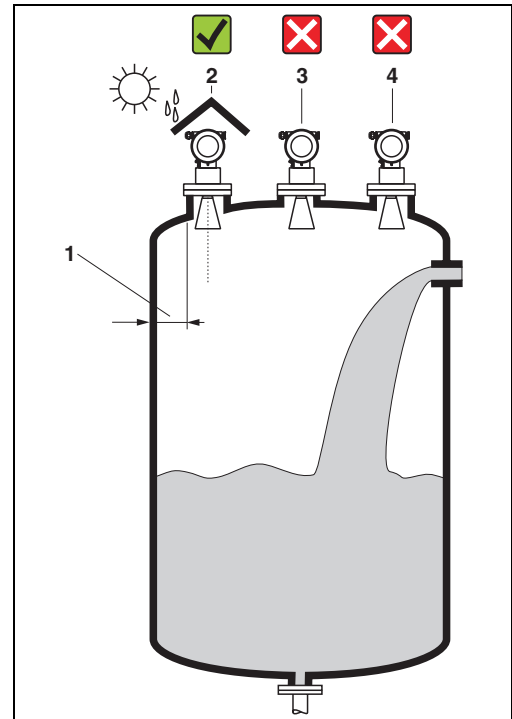
Flange	DN 80	DN 100	DN 150	DN 200	DN 250
b [mm]	18	18	22	22	24
D [mm]	185	210	280	330	400

for 10K

3.3.2 Engineering hints

Orientation

- Recommended distance (1) wall – **outer edge** of nozzle: $\sim 1/6$ of tank diameter. Nevertheless the device should not be installed closer than 30 cm (11.8 in) to the tank wall.
- Not in the centre (3), interference can cause signal loss.
- Not above the fill stream (4).
- It is recommended to use a weather protection cover (2) in order to protect the transmitter from direct sun or rain. Assembly and disassembly is simply done by means of a tension clamp (\rightarrow 63, "Accessories").



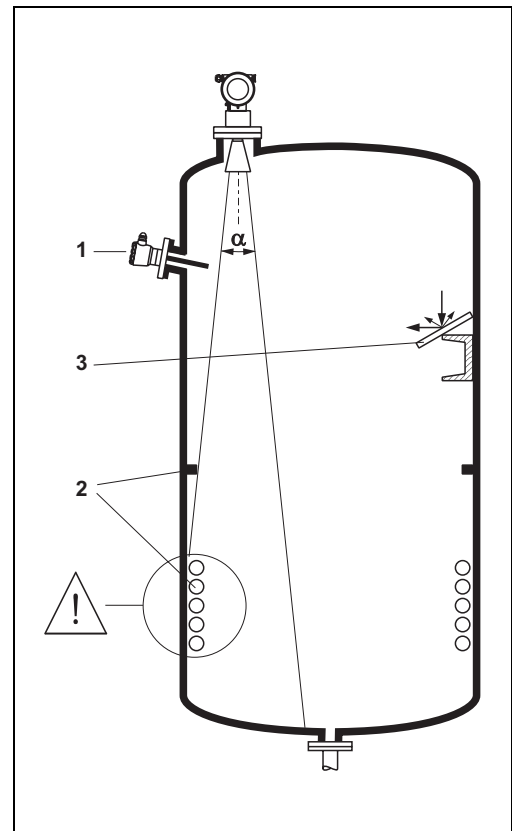
Tank installations

- Avoid any installations (1), like limit switches, temperature sensors, etc., inside the signal beam (\rightarrow 15, "Beam angle").
- Symmetrical installations (2), i.e. vacuum rings, heating coils, baffles, etc., can also interfere with the measurement.

Optimization options

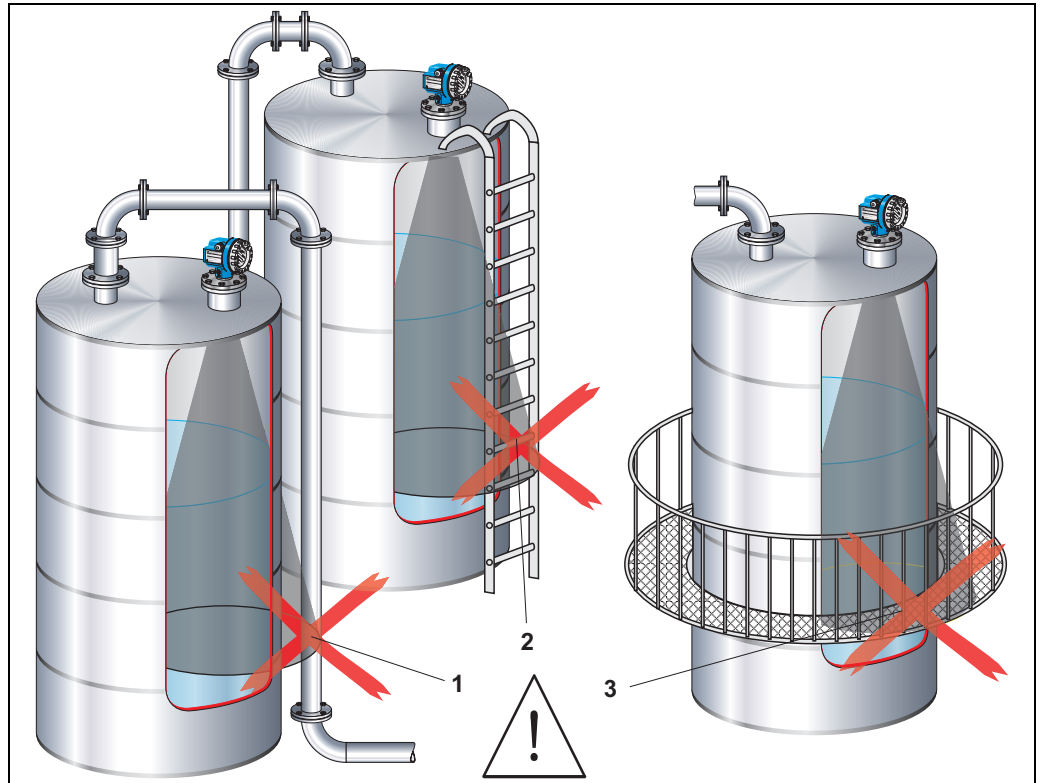
- Antenna size: the bigger the antenna, the smaller the beam angle, the less interference echoes.
- Mapping: the measurement can be optimized by means of electronic suppression of interference echoes.
- Antenna alignment: refer to "optimum mounting position", \rightarrow 18.
- Stilling well: a stilling well can always be used to avoid interference.
- Metallic screens (3) mounted at a slope spread the radar signals and can, therefore, reduce interference echoes.

Please contact Endress+Hauser for further information.



Measurement in a plastic tank

If the outer wall of the tank is made of a non-conductive material (e.g. GRP), microwaves can also be reflected off interfering installations outside the signal beam (e.g. metallic pipes (1), ladders (2), grates (3), ...). Therefore, there should be no such interfering installations in the signal beam. Please contact Endress+Hauser for further information.



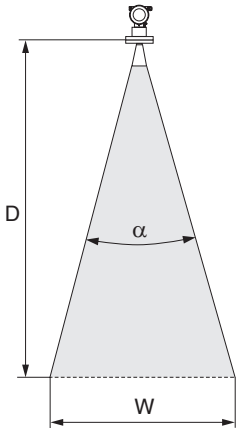
L00-FMR2xxxx-17-00-00-xx-013

Beam angle

The beam angle is defined as the angle α where the energy density of the radar waves reaches half the value of the maximum energy density (3dB-width). Microwaves are also emitted outside the signal beam and can be reflected off interfering installations. Beam diameter **W** as function of antenna type (beam angle α) and measuring distance **D**:

Antenna size (horn diameter)	150 mm (6")	200 mm (8")	250 mm (10")
Beam angle α	23°	19°	15°

Measuring distance (D)	Beam diameter (W)		
	150 mm (6")	200 mm (8")	250 mm (10")
3 m (9.8 ft)	1,22 m (4 ft)	1 m (3.3 ft)	0,79 m (2.6 ft)
6 m (20 ft)	2,44 m (8 ft)	2,01 m (6.6 ft)	1,58 m (5.2 ft)
9 m (30 ft)	3,66 m (12 ft)	3,01 m (9.9 ft)	2,37 m (7.8 ft)
12 m (39 ft)	4,88 m (16 ft)	4,02 m (13 ft)	3,16 m (10 ft)
15 m (49 ft)	6,10 m (20 ft)	5,02 m (16 ft)	3,95 m (13 ft)
20 m (66 ft)	8,14 m (27 ft)	6,69 m (22 ft)	5,27 m (17 ft)



$$W = 2 \cdot D \cdot \tan \frac{\alpha}{2}$$

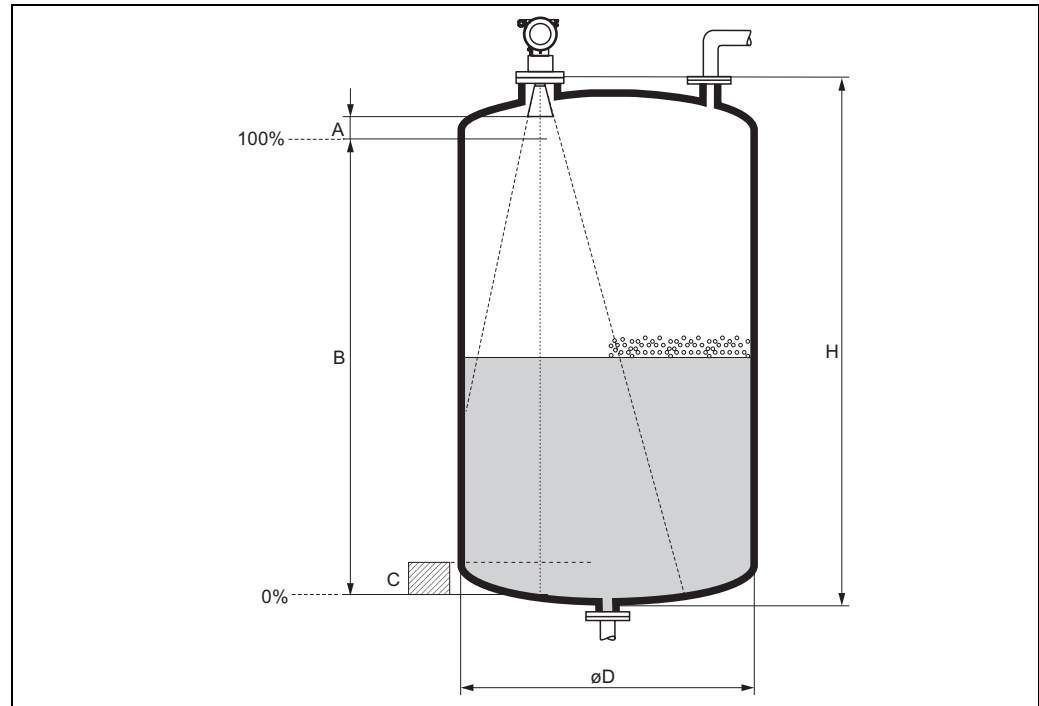
L00-FMR2xxxx-14-00-06-de-027

Measuring conditions



Note!

- In case of **boiling surfaces, bubbling** or tendency for **foaming**, use FMR230 or FMR231. Depending on its consistence, foam can either absorb microwaves or reflect them off the foam surface. Measurement is possible under certain conditions.
- In case of heavy **steam development** or **condensate** the max. measuring range of FMR240 may decrease depending on density, temperature and composition of the steam → use FMR230 or FMR231.
- For the measurement of absorbing gases such as **ammonia NH₃** or some **fluorocarbons** ¹⁾, please use FMR230 in a stilling well.



100-FMR2xxxx-17-00-00-de-008

- The measuring range begins, where the beam hits the tank bottom. Particularly with dish bottoms or conical outlets the level cannot be detected below this point.
- In case of media with a low dielectric constant (groups A and B), the tank bottom can be visible through the medium at low levels (low height **C**). Reduced accuracy has to be expected in this range. If this is not acceptable, we recommend positioning the zero point at a distance **C** (see Fig.) above the tank bottom in these applications.
- In principle it is possible to measure up to the tip of the antenna with FMR230/231/240. However, due to considerations regarding corrosion and build-up, the end of the measuring range should not be chosen any closer than **A** (see Fig.) to the tip of the antenna. For FMR244/245, the end of measuring range should not be chosen closer than **A** (see Fig.) to the tip of the antenna, especially if there is development of condensate.
- The smallest possible measuring range **B** depends on the antenna version (see Fig.).
- The tank diameter should be greater than **D** (see Fig.), the tank height at least **H** (see Fig.).

A [mm (in)]	B [m (ft)]	C [mm (in)]	D [m (ft)]	H [m (ft)]
50 (1.97)	> 0,5 (> 1.6)	150 to 300 (5.91 to 11.8)	> 1 (> 3.3)	> 1,5 (> 4.9)

1) Affected compounds are e.g. R134a, R227, Dymel 152a.

Measuring range

The usable measuring range depends on the size of the antenna, the reflectivity of the medium, the mounting location and eventual interference reflections.

The maximum configurable range is:

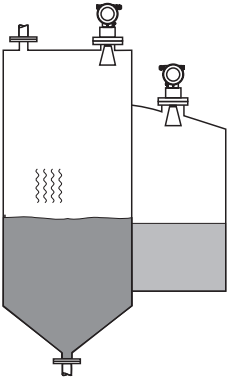
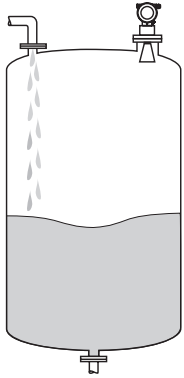
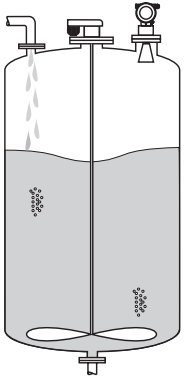
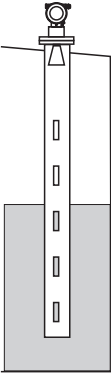

- 20 m (66 ft)

The following tables describe the groups of media as well as the achievable measuring range as a function of application and media group. If the dielectric constant of a medium is unknown, it is recommended to assume media group B to ensure a reliable measurement.

Media group	DC (εr)	Examples
A	1.4 to 1.9	non-conducting liquids, e.g. liquefied gas ¹⁾
B	1.9 to 4	non-conducting liquids, e.g. benzene, oil, toluene, ...
C	4 to 10	e.g. concentrated acids, organic solvents, esters, aniline, alcohol, acetone, ...
D	> 10	conducting liquids, e.g. aqueous solutions, dilute acids and alkalis

1) Treat Ammonia NH₃ as a medium of group A, i.e. use FMR230 in a stilling well.

Measuring range depending on vessel type, conditions and product

Storage tank ¹⁾		Buffer tank ¹⁾		Process tank with agitator ¹⁾		Stilling well	Bypass							
														
Calm product surface (e.g. intermittent filling, filling from bottom, immersion tubes).		Moving surfaces (e.g. continuous filling, from above, mixing jets).		Turbulent surface. Single stage agitator < 60 U/min.										
150 mm (6")	200 mm (8"), 250 mm (10")	150 mm (6")	200 mm (8"), 250 mm (10")	150 mm (6")	200 mm (8"), 250 mm (10")	80 to 250 mm (3" to 10")	80 to 250 mm (3" to 10") ²⁾							
B	C D	B C D	B C D	B C D	B C D	A, B, C, D	C, D							
10 (33)	15 (49)	20 (66)	5 (16)	7.5 (25)	10 (33)	12.5 (41)	4 (13)	6 (20)	8 (26)	6 (20)	8 (26)	10 (33)	20 (66)	20 (66)
Measuring range [m (ft)]														

1) For media group A to use a stilling well (20 m (66 ft)).

2) For media group A and B possible, i.e. with stilling well in bypass.

3.4 Installation instructions

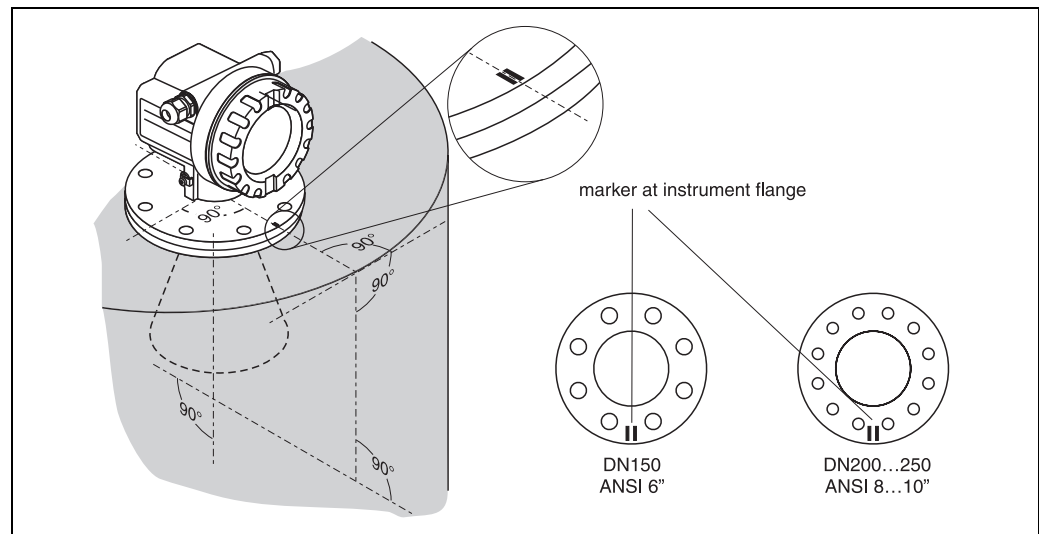
3.4.1 Mounting kit

In addition to the tool needed for flange mounting, you will require the following tool:

- 4 mm (0.16 in) Allen wrench for turning the housing or mounting an FAR10 antenna extension.

3.4.2 Installation in tank (free space)

Optimum mounting position

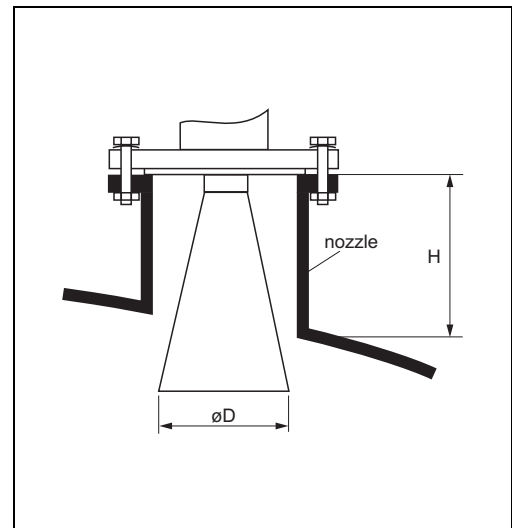


L00-FMR230xx-17-00-00-es-001

Standard installation

When mounting in a tank, please observe engineering hints (→ 14) and the following points:

- Marker is aligned towards tank wall.
- The marker is always exactly in the middle between two bolt-holes in the flange.
- After mounting, the housing can be turned 350° in order to simplify access to the display and the terminal compartment.
- The horn antenna must extend below the nozzle, otherwise use antenna extension FAR10.
- The antenna must be aligned vertically.



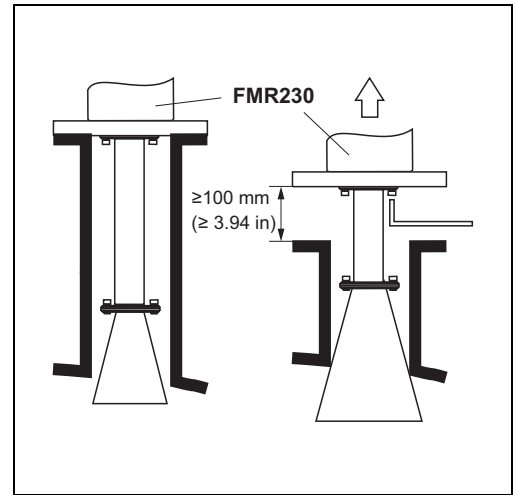
L00-FMR230xx-17-00-00-de-002

Antenna size	150 mm (6")	200 mm (8")	250 mm (10")
D [mm (in)]	146 (5.75)	191 (7.52)	241 (9.49)
H [mm (in)]	< 205 (< 8.07)	< 290 (< 11.4)	< 380 (< 15)

Antenna extension FAR10

When mounting an antenna extension, please note the following points:

- The antenna extension has to be selected such that the horn extends below the nozzle.
- If the horn diameter is greater than the nominal width of the nozzle, the antenna including the extension is mounted from inside the vessel. The bolts are tightened from outside, with the instrument lifted up. The extension has to be selected such that the instrument can be lifted by at least 100 mm (3.94 in).
- Recommended torque: 10 Nm (7.37 lbf ft).



The horn fits the nozzle

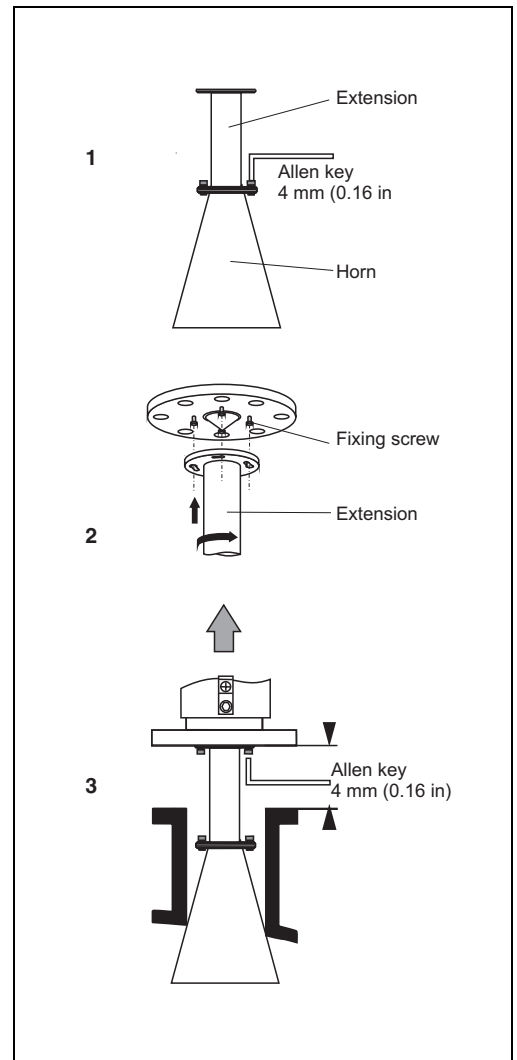
If the horn fits the nozzle, proceed as follows:

- Screw the extension tube and horn together (1).
- Insert the fixing screws of the extension two to three turns into the process connection.
- Invert the extension flange using the fixing screws and then turn it clockwise (2.)
- Tighten up the fixing screws.
- Tighten up the flange.

The horn is bigger than the nozzle diameter

If the horn is bigger than the nozzle diameter, proceed as follows:

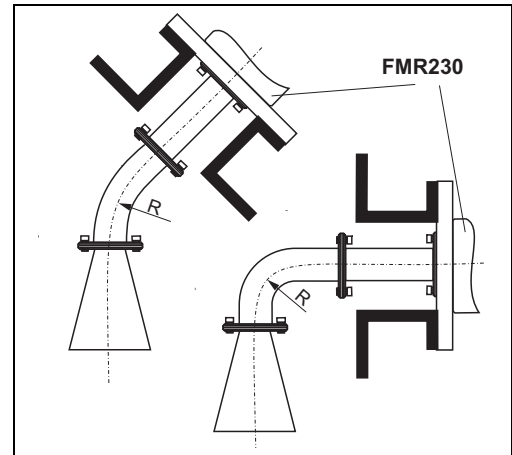
- Screw the extension tube and horn together (1).
- Insert the fixing screws of the extension two to three turns into the process connection.
- Position the Micropilot on the nozzle.
- Invert the extension flange via the fixing screws from inside the vessel and then turn it clockwise (2). The extension hangs loosely from the process connection.
- Lift the Micropilot and tighten up the fixing screws with a 4 mm (0.16 in) Allen wrench (3).
- Fix the Micropilot onto the nozzle.



Special extensions

- If the antenna has to be mounted on a sloping or vertical vessel wall, an extension with a 45° respectively 90° bend is available.
- The smallest possible radius R for the bend is 300 mm (11.8 in).

Please contact Endress+Hauser for further information.

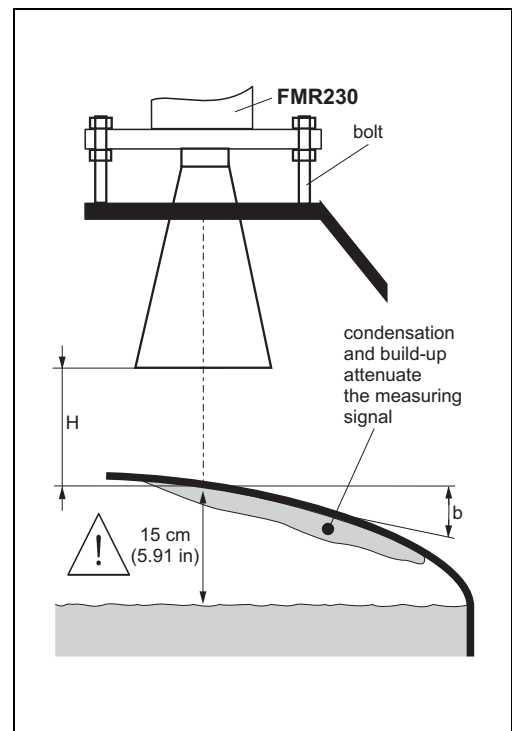


L00-FMR230xx-17-00-00-yy-004

Measurement from the outside through plastic walls

At measuring from the outside through plastic walls, please note the following points:

- Medium with dielectric constant $\epsilon_r > 10$.
- Maximum level 15 cm (5.91 in) below tank ceiling.
- Distance H greater than 100 mm (3.94 in).
- Preferred mounting by means of stand-offs for adjustment of the ideal distance H.
- If possible, **avoid mounting location where condensation or build-up might occur**. In case of outdoor mounting, the space between antenna and vessel has to be protected from the elements.
- Optimum angle β between 15° to 20°
- Select vessel construction material with low dielectric constant and corresponding thickness. No conductive (black) plastics (refer to table).
- If possible, use an antenna DN250 (10").
- Do not mount any potential reflectors (i.e. pipes) outside the tank in the signal beam.

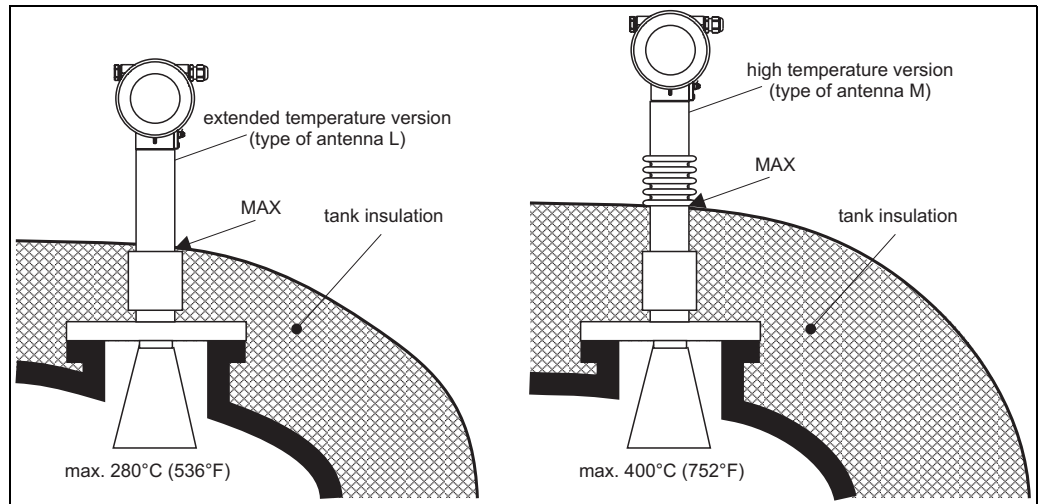


L00-FMR230xx-17-00-00-es-005

Penetrated material	PE	PTFE	PP	Perspex
DC / ϵ_r	2.3	2.1	2.3	3.1
Optimum thickness [mm (in)] ¹⁾	15,7 (0.62)	16,4 (0.65)	15,7 (0.62)	13,5 (0.53)

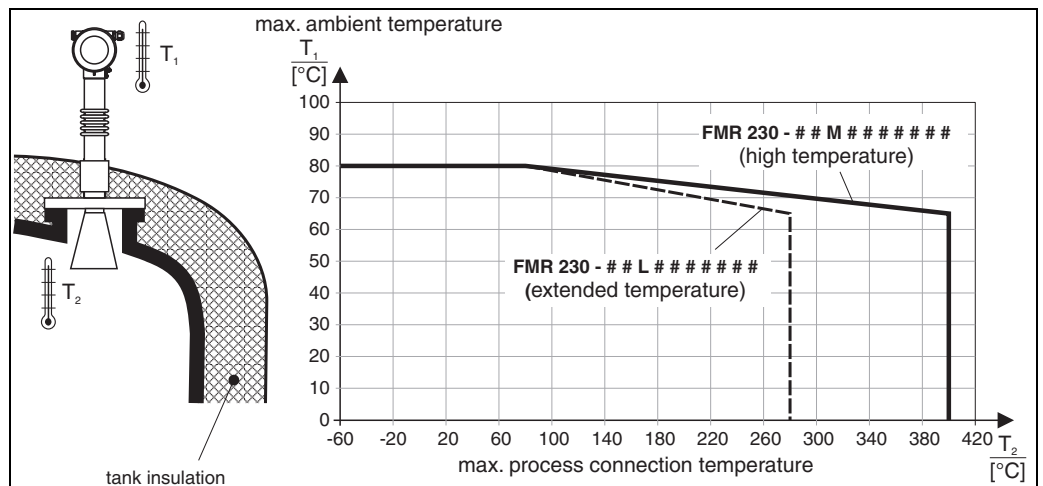
1) Other possible values for the thickness are multiples of the values listed (i.e. PE: 31,4 mm (1.24 in), 47,1 mm (1.85 in), ...)

Installation with heat insulation



L00-FMR230xx-17-00-00-en-019

- To avoid the electronics heating up as a result of heat radiation or convection, the FMR230 must be incorporated into the tank insulation at high process temperature ($\geq 200\text{ °C}$ ($\geq 392\text{ °F}$)).
- The isolation should not exceed the points marked with "MAX" within the sketch.

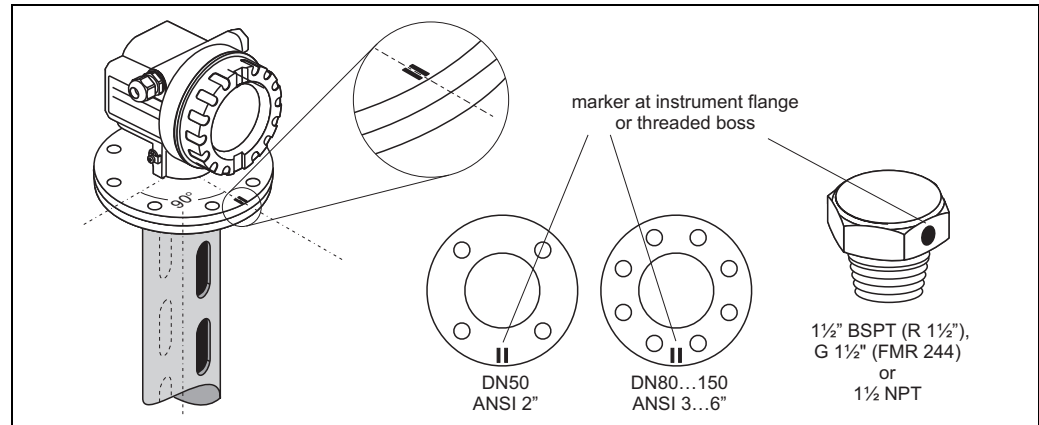


L00-FMR230xx-05-00-00-en-028


For process connection temperatures (T_2) above 80 °C (176 °F), the allowed ambient temperature (T_1) at the housing is reduced according to the above diagram.

3.4.3 Installation in stilling well

Optimum mounting position



Standard installation

For installations in a stilling well, follow the engineering hints (→  14) and note the following points:

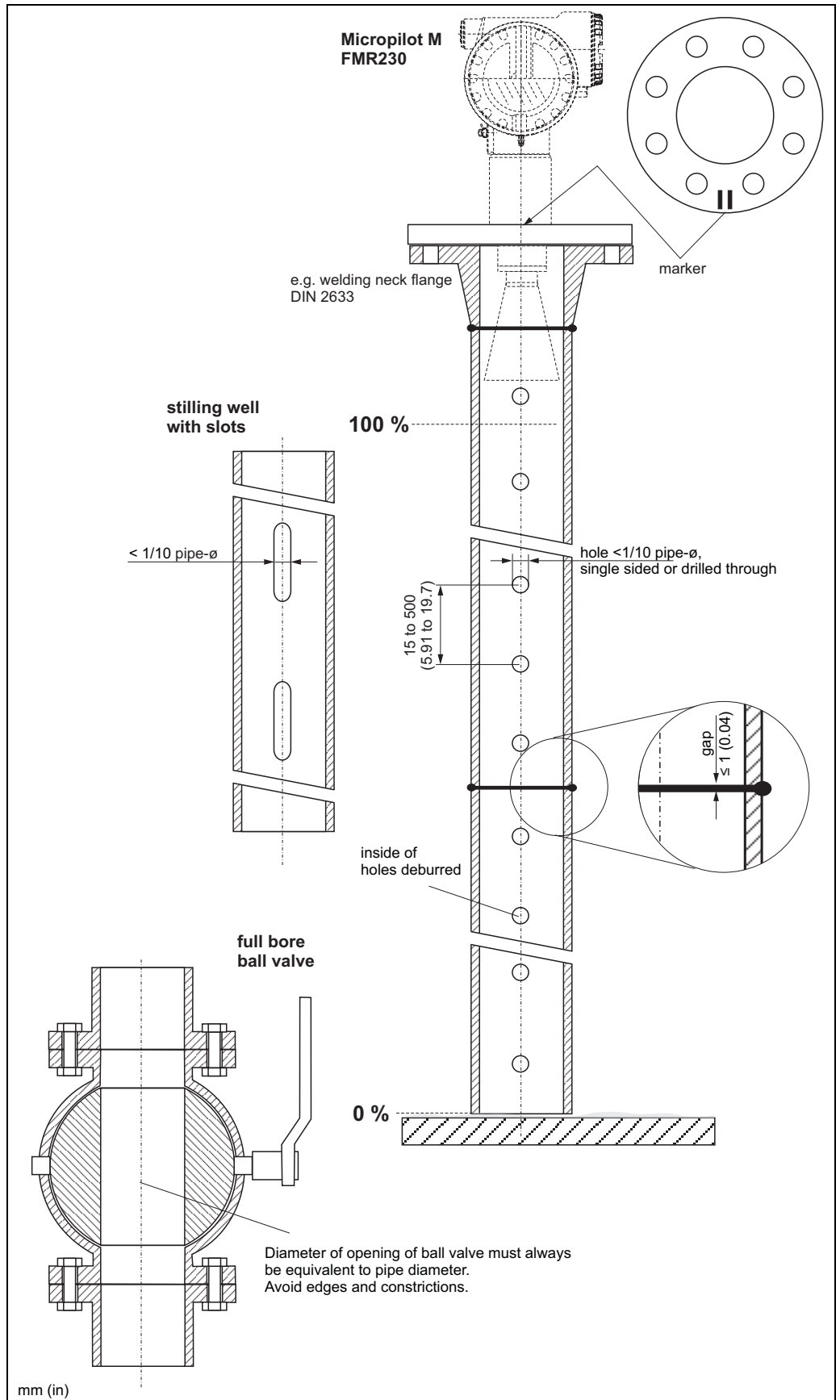
- Marker is aligned toward slots.
- The marker is always exactly in the middle between two bolt-holes in the flange.
- After mounting, the housing can be turned 350° in order to simplify access to the display and the terminal compartment.
- Measurements can be performed through an open ball valve without any problems.

Recommendations for the stilling well

At the construction of a stilling well, please note the following points:

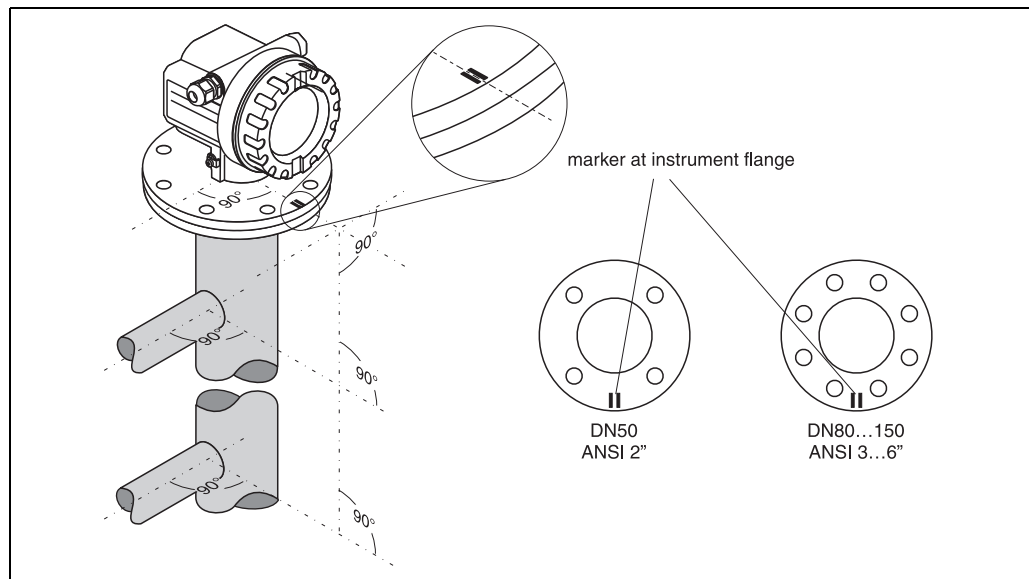
- Metal (no enamel coating, plastic coating on request).
- Constant diameter.
- Stilling well diameter not larger than antenna diameter.
- Weld seam as smooth as possible and on the same axis as the slots.
- Slots offset 180° (not 90°).
- Slot width respectively diameter of holes max. 1/10 of pipe diameter, de-burred. Length and number do not have any influence on the measurement.
- Select horn antenna as big as possible. For intermediate sizes (i.e. 180 mm (7")) select next larger antenna and adapt it mechanically.
- At any transition (i.e. when using a ball valve or mending pipe segments), no gap may be created exceeding 1 mm (0.04 in).
- The stilling well must be smooth on the inside (average roughness $R_z \leq 6.3 \mu\text{m}$ ($\leq 248 \mu\text{in}$)). Use extruded or parallel welded stainless steel pipe. An extension of the pipe is possible with welded flanges or pipe sleeves. Flange and pipe have to be properly aligned at the inside.
- Do not weld through the pipe wall. The inside of the stilling well must remain smooth. In case of unintentional welding through the pipe, the weld seam and any unevenness on the inside need to be carefully removed and smoothed. Otherwise, strong interference echoes will be generated and material build-up will be promoted.
- Particularly on smaller nominal widths it needs to be observed that flanges are welded to the pipe such that they allow for a correct orientation (marker aligned toward slots).

Examples for the construction of stilling wells



3.4.4 Installation in bypass

Optimum mounting position



L00-FMR230xx-17-00-00-es-007

Standard installation

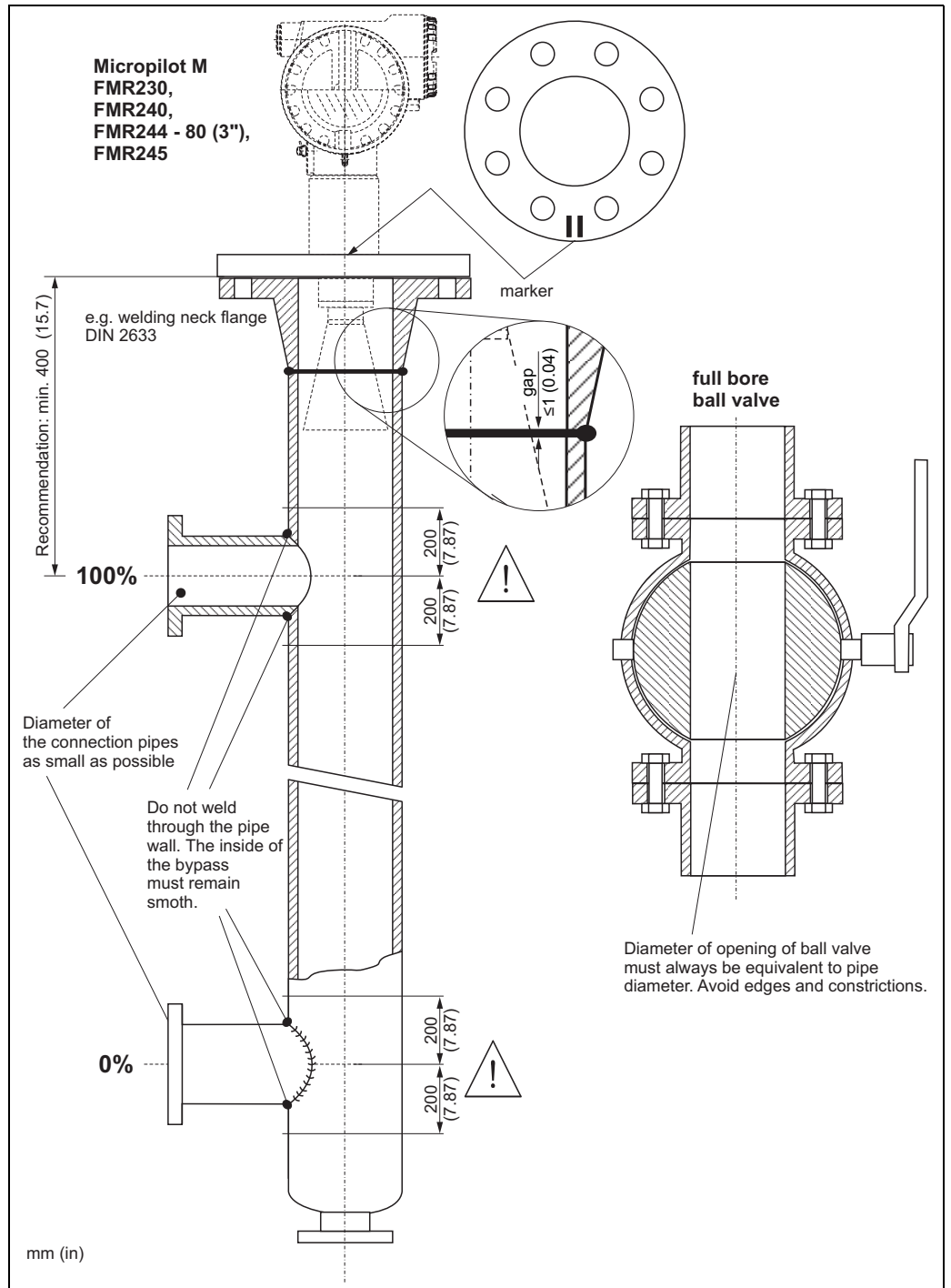
For installations in a bypass, follow the engineering hints (→ 14) and note the following points:

- Marker is aligned perpendicular (90°) to tank connectors.
- The marker is always exactly in the middle between two bolt-holes in the flange.
- After mounting, the housing can be turned 350° in order to simplify access to the display and the terminal compartment.
- The horn must be aligned vertically.
- Measurements can be performed through an open full bore ball valve without any problems.

Recommendations for the bypass pipe

- Metal (no plastic or enamel coating).
- Constant diameter.
- Select horn antenna as big as possible. For intermediate sizes (i.e. 95 mm (3.5")) select next larger antenna and adapt it mechanically (FMR230 / FMR240 only).
- At any transition (i.e. when using a ball valve or mending pipe segments), no gap may be created exceeding 1 mm (0.04 in).
- In the area of the tank connections (~ ±20 cm (±7.87 in)) a reduced accuracy of the measurement has to be expected.

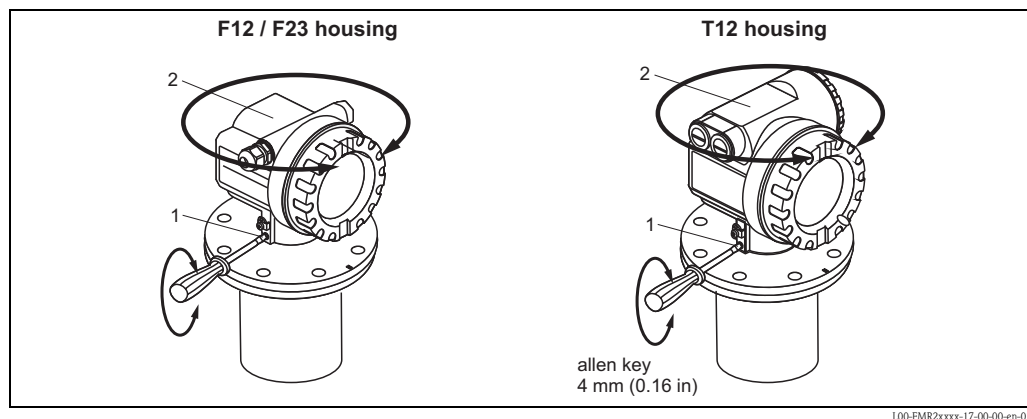
Example for the construction of a bypass.



3.4.5 Turn housing

After mounting, the housing can be turned 350° in order to simplify access to the display and the terminal compartment. Proceed as follows to turn the housing to the required position:

- Undo the fixing screws (1)
- Turn the housing (2) in the required direction
- Tighten up the fixing screws (1)



3.5 Post-installation check

After the measuring instrument has been installed, perform the following checks:

- Is the measuring instrument damaged (visual check)?
- Does the measuring instrument correspond to the measuring point specifications such as process temperature/pressure, ambient temperature, measuring range, etc.?
- Is the flange marking correctly aligned (→ 10)?
- Have the flange screws been tightened up with the respective tightening torque?
- Are the measuring point number and labeling correct (visual check)?
- Is the measuring instrument adequately protected against rain and direct sunlight (→ 63)?

4 Wiring

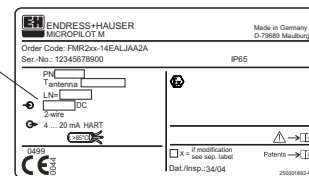
4.1 Quick wiring guide

Wiring in F12/F23 housing



Before connection please note the following:

- The power supply must be identical to the data on the nameplate (1).
- Switch off power supply before connecting up the device.
- Connect Equipotential bonding to transmitter ground terminal before connecting up the device.
- Tighten the locking screw: It forms the connection between the antenna and the housing ground potential.

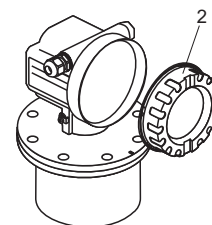


When you use the measuring system in hazardous areas, make sure you comply with national standards and the specifications in the safety instructions (XA's). Make sure you use the specific cable gland.



On devices supplied with a certificate, the explosion protection is designed as follows:

- Housing F12/F23 - Ex ia:
- Power supply must be intrinsically safe.
- The electronics and the current output are galvanically separated from the antenna circuit.

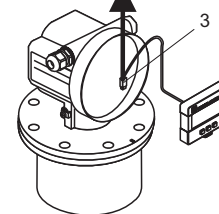


Connect up the Micropilot M as follows:

- Unscrew housing cover (2).
- Remove any display (3) if fitted.
- Remove cover plate from terminal compartment (4).
- Pull out terminal module slightly using pulling loop.
- Insert cable (5) through gland (6).
- A standard installation cable is sufficient if only the analogue signal is used. Use a screened cable when working with a superimposed communications signal (HART).

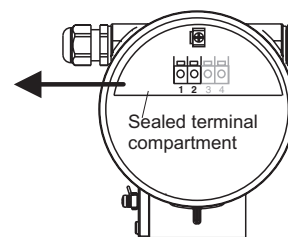
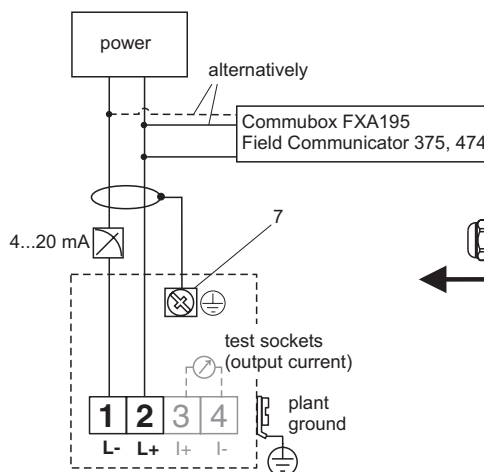
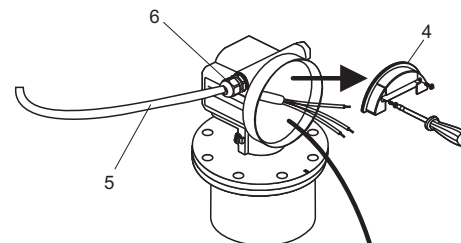


Unplug display connector!



Only ground screening of the line (7) on sensor side.

- Make connection (see pin assignment).
- Re-insert terminal module.
- Tighten cable gland (6).
- Tighten screws on cover plate (4).
- Insert display if fitted.
- Screw on housing cover (2).
- Switch on power supply.

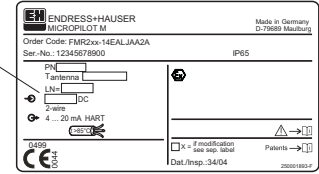


Wiring in T12 housing



Before connection please note the following:

- The power supply must be identical to the data on the nameplate (1).
- Switch off power supply before connecting up the device.
- Connect Equipotential bonding to transmitter ground terminal before connecting up the device.
- Tighten the locking screw: It forms the connection between the antenna and the housing ground potential.

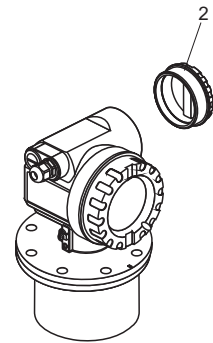


When you use the measuring system in hazardous areas, make sure you comply with national standards and the specifications in the safety instructions (XA's). Make sure you use the specific cable gland.



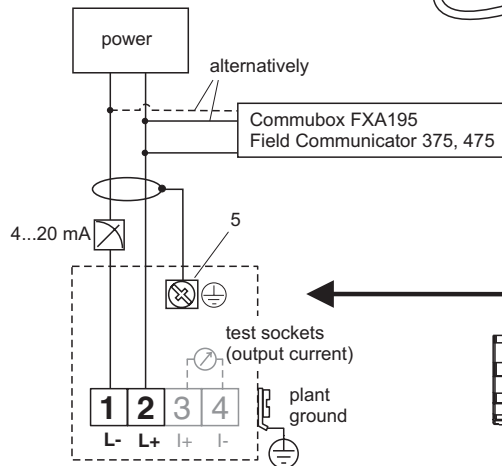
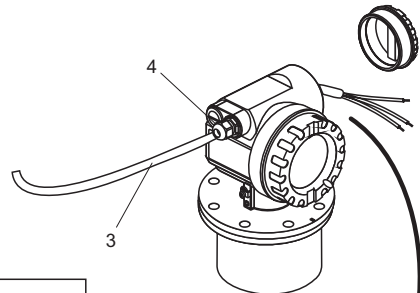
Connect up the Micropilot M as follows: Before unscrew housing cover (2) at sperate connection room turn off the power supply!

- Insert cable (3) through gland (4).
- A standard installation cable is sufficient if only the analogue signal is used. Use a screened cable when working with a superimposed communications signal (HART).



Only ground screening of the line (5) on sensor side.

- Make connection (see pin assignment).
- Tighten cable gland (4).
- Screw on housing cover (2).
- Switch on power supply.



L00-FMR2xxxx-04-00-00-en-014

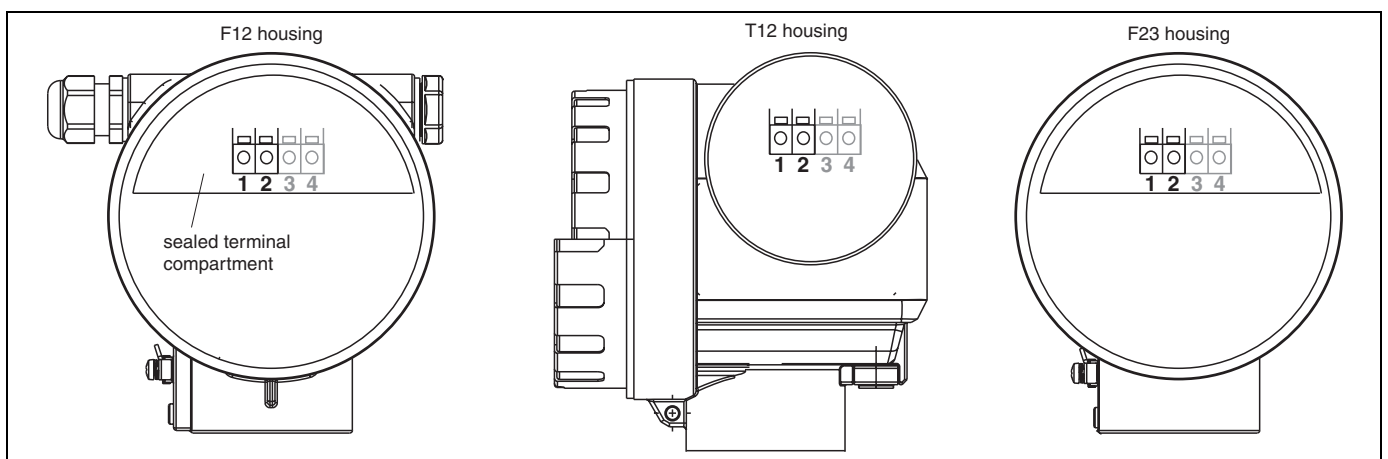
4.2 Connecting the measuring unit

Terminal compartment

Three housings are available:

- Aluminium housing F12 with additionally sealed terminal compartment for:
 - Standard,
 - Ex ia.
- Aluminium housing T12 with separate terminal compartment for:
 - Standard,
 - Ex e,
 - Ex d,
 - Ex ia (with overvoltage protection).
- 316L housing F23 for:
 - Standard,
 - Ex ia.

The electronics and current output are galvanically isolated from the antenna circuit.



The instrument data are given on the nameplate together with important information regarding the analog output and voltage supply. Housing orientation regarding the wiring, → 26.

Load HART

Minimum load for Hart communication: 250 Ω

Cable entry

Cable gland: M20x1.5 (for Ex d: cable entry)

Cable entry: G $\frac{1}{2}$ or $\frac{1}{2}$ NPT

Supply voltage

The following values are the voltages across the terminals directly at the instrument:

Communication		Current consumption	Terminal voltage	
			minimal	maximal
HART	Standard	4 mA	16 V	36 V
		20 mA	7.5 V	36 V
	Ex ia	4 mA	16 V	30 V
		20 mA	7.5 V	30 V
	Ex d	4 mA	16 V	30 V
		20 mA	11 V	30 V
	Dust Ex	4 mA	16 V	30 V
		20 mA	11 V	30 V
Fixed current, adjustable e.g. for solar power operation (measured value transferred at HART)	Standard	11 mA	10 V ¹⁾	36 V
	Ex ia	11 mA	10 V ¹⁾	30 V
Fixed current for HART Multi-drop mode	Standard	4 mA ²⁾	16 V	36 V
	Ex ia	4 mA ²⁾	16 V	30 V

1) Short-term min. start-up voltage: 11.4 V

2) Start up current 11 mA.

Power consumption

min. 60 mW, max. 900 mW

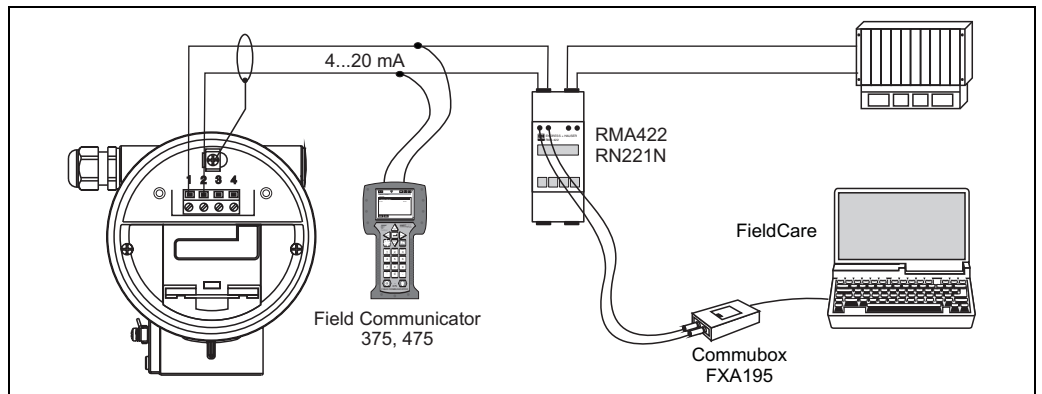
Current consumption

- Device basic current: 3.6 to 22 mA, for HART Multidrop: start up current is 11 mA.
- Breakdown signal (NAMUR NE43): adjustable

Overvoltage protector

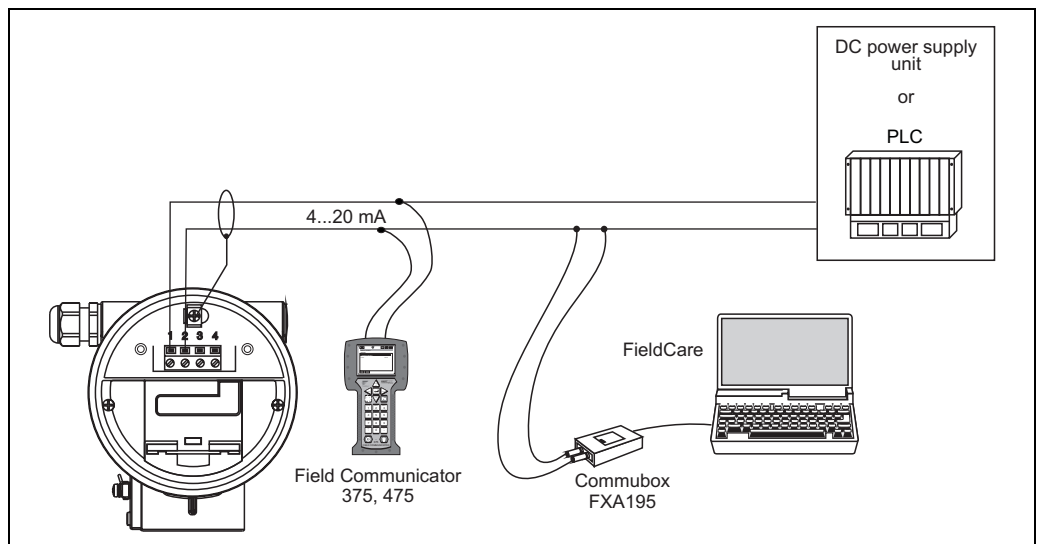
The level transmitter Micropilot M with T12-housing (housing version "D", see ordering information, → 6) is equipped with an internal overvoltage protector (600 V surge arrester) according to DIN EN 60079-14 or IEC 60060-1 (impulse current test 8/20 μ s, $I = 10$ kA, 10 pulses). Connect the metallic housing of the Micropilot M to the tank wall or screen directly with an electrically conductive lead to ensure reliable potential matching.

4.2.1 HART connection with Endress+Hauser RMA422 / RN221N



L00-FMR2xxxx-04-00-00-xx-003

4.2.2 HART connection with other supplies



L00-FMR2xxxx-04-00-00-en-008



Caution!

If the HART communication resistor is not built into the supply unit, it is necessary to insert a communication resistor of 250 Ω into the 2-wire line.

4.3 Recommended connection

4.3.1 Equipotential bonding

Connect the equipotential bonding to the external ground terminal of the transmitter.

4.3.2 Wiring screened cable



Caution!



In Ex applications, the screen must only be grounded on the sensor side. Further safety instructions are given in the separate documentation for applications in explosion hazardous areas.

4.4 Degree of protection

- with closed housing: IP65, NEMA4X (higher degree of protection e.g. IP68 on request)
- with open housing: IP20, NEMA1 (also ingress protection of the display)
- antenna: IP68 (NEMA6P)

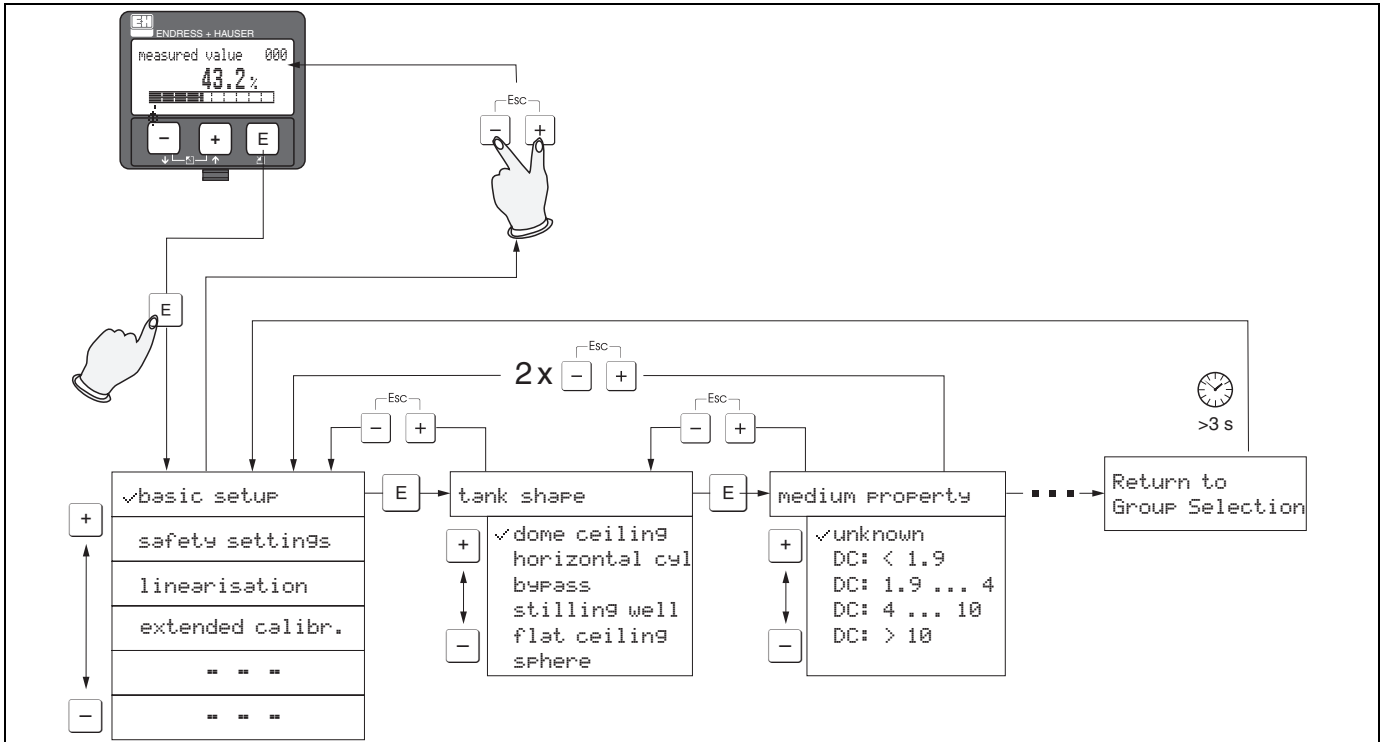
4.5 Post-connection check

After wiring the measuring instrument, perform the following checks:

- Is the terminal allocation correct (→  27 and →  28)?
- Is the cable gland tight?
- Is the housing cover screwed tight?
- If auxiliary power is available:
 - Is the instrument ready for operation and does the liquid crystal display show any value?

5 Operation

5.1 Quick operation guide



Selection and configuration in Operation menu:

- 1.) Change from Measured Value Display to **Group Selection** by pressing **E**
- 2.) Press **-** or **+** to select the required **Function Group** (e.g.. "basic setup (00)") and confirm by pressing **E** → **First function** (e.g. "tank shape (002)") is selected.

Note!

The active selection is marked by a '✓' in front of the menu text.

- 3.) Activate Edit mode with **+** or **-**.

Selection menus:

- a) Select the required **Parameter** in selected **function** (e.g. "tank shape (002)") with **-** or **+**.
- b) **E** confirms selection → '✓' appears in front of the selected parameter
- c) **E** confirms the edited value → system quits Edit mode
- d) **+** + **-** (= **Esc**) interrupts selection → system quits Edit mode

Typing in numerals and text:

- a) Press **+** or **-** to edit the first character of the **numeral / text** (e.g. "empty calibr. (005)")
 - b) **E** positions the cursor at the next character → continue with (a) until you have completed your input
 - c) if a **⏏** symbol appears at the cursor, press **E** to accept the value entered → system quits Edit mode
 - d) **+** + **-** (= **Esc**) interrupts the input, system quits Edit mode
- 4) Press **E** to select the next **function** (e.g. "medium property (003)")
 - 5) Press **+** + **-** (= **Esc**) once → return to previous **function** (e.g. "tank shape (002)")
 Press **+** + **-** (= **Esc**) twice → return to **Group selection**
 - 6) Press **+** + **-** (= **Esc**) to return to **Measured value display**

5.1.1 General structure of the operating menu

The operating menu is made up of two levels:

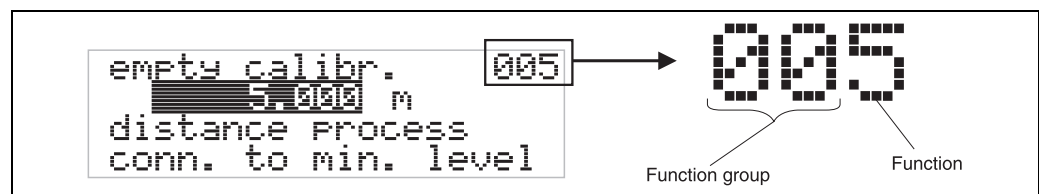
- **Function groups (00, 01, 03, ..., 0C, 0D):** The individual operating options of the instrument are split up roughly into different function groups. The function groups that are available include, e.g.: "basic setup", "safety settings", "output", "display", etc.
- **Functions (001, 002, 003, ..., 0D8, 0D9):** Each function group consists of one or more functions. The functions perform the actual operation or parameterisation of the instrument. Numerical values can be entered here and parameters can be selected and saved. The available functions of the "basic setup" (00) function group include, e.g.: "tank shape" (002), "medium property" (003), "process cond." (004), "empty calibr." (005), etc.

If, for example, the application of the instrument is to be changed, carry out the following procedure:

1. Select the "basic setup" (00) function group.
2. Select the "tank shape" (002) function (where the existing tank shape is selected).

5.1.2 Identifying the functions

For simple orientation within the function menus (→ § 86), for each function a position is shown on the display.



The first two digits identify the function group:

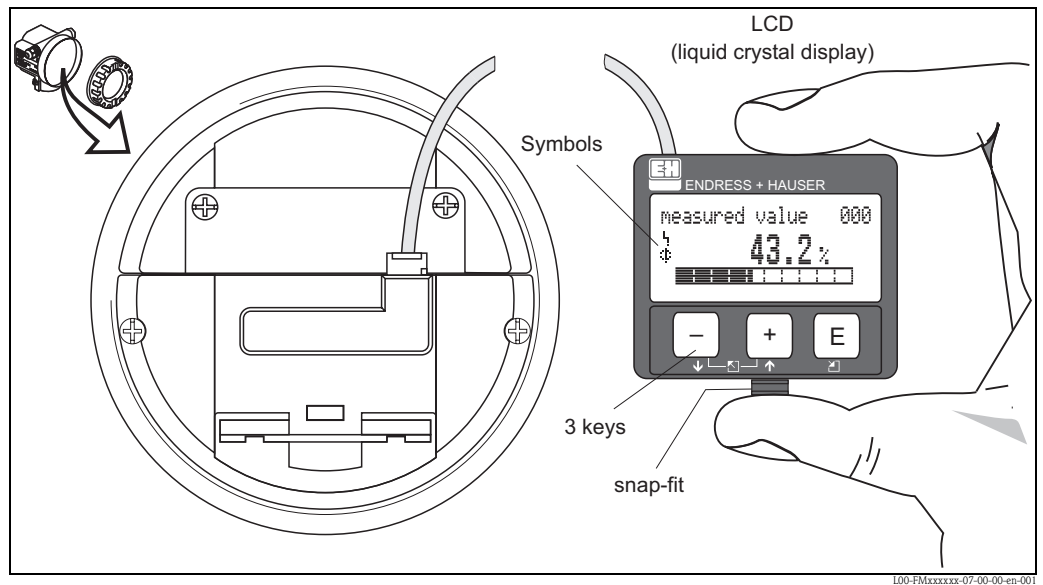
- **basic setup** 00
- **safety settings** 01
- **linearisation** 04
- ...

The third digit numbers the individual functions within the function group:

- **basic setup** 00 → ■ **tank shape** 002
- **medium property** 003
- **process cond.** 004
- ...

Hereafter the position is always given in brackets (e.g. "tank shape" (002)) after the described function.

5.2 Display and operating elements



Layout of the display and operating elements

The LCD display can be removed to ease operation by simply pressing the snap-fit (see graphic above). It is connected to the device by means of a 500 mm (19.7 in) cable.



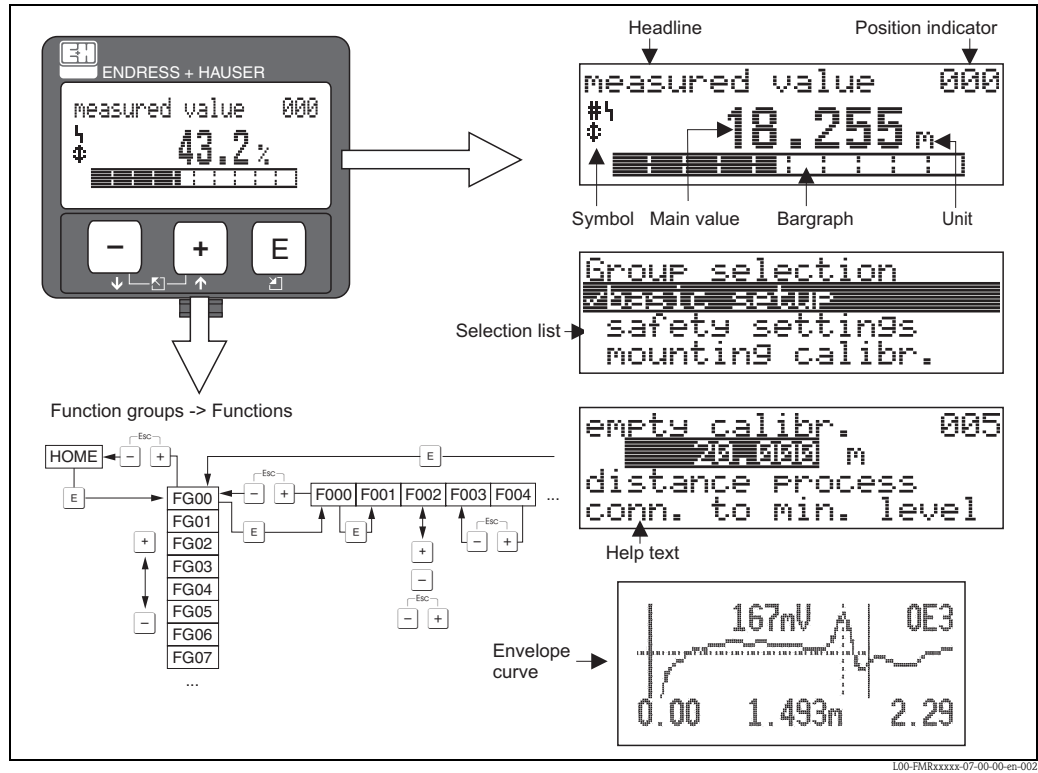
Note!

To access the display the cover of the electronic compartment may be removed even in hazardous area (IS and XP).

5.2.1 Display

Liquid crystal display (LCD):

Four lines with 20 characters each. Display contrast adjustable through key combination.



Display

5.2.2 Display symbols








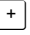






The following table describes the symbols that appear on the liquid crystal display:

Sybmol	Meaning
	ALARM_SYMBOL This alarm symbol appears when the instrument is in an alarm state. If the symbol flashes, this indicates a warning.
	LOCK_SYMBOL This lock symbol appears when the instrument is locked, i.e. if no input is possible.
	COM_SYMBOL This communication symbol appears when a data transmission via e.g. HART, PROFIBUS PA or FOUNDATION Fieldbus is in progress.

5.2.3 Key assignment

The operating elements are located inside the housing and are accessible for operation by opening the lid of the housing.

Function of the keys


Key(s)	Meaning
 or 	Navigate upwards in the selection list. Edit numeric value within a function.
 or 	Navigate downwards in the selection list. Edit numeric value within a function.
 or 	Navigate to the left within a function group.
	Navigate to the right within a function group, confirmation.
 and  or  and 	Contrast settings of the LCD.
 and  and 	Hardware lock / unlock After a hardware lock, an operation of the instrument via display or communication is not possible! The hardware can only be unlocked via the display. An unlock parameter must be entered to do so.

5.3 Local operation


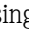
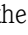


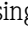
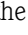
5.3.1 Locking of the configuration mode

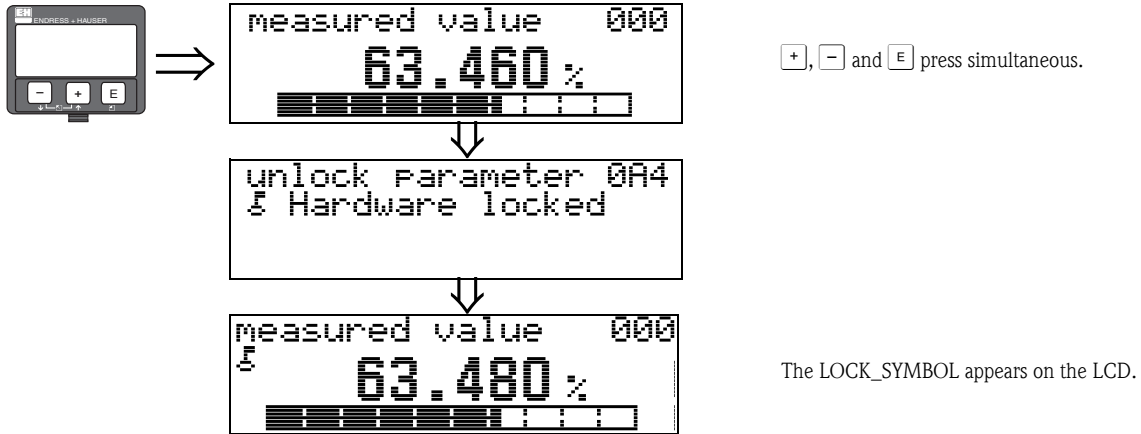
The Micropilot can be protected in two ways against unauthorised changing of instrument data, numerical values or factory settings:

Function "unlock parameter" (0A4):

A value $\neq 100$ (e.g. 99) must be entered in "unlock parameter" (0A4) in the "diagnostics" (0A) function group. The lock is shown on the display by the  symbol and can be released again either via the display or by communication.

Hardware lock:

The instrument is locked by pressing the ,  and  keys at the same time. The lock is shown on the display by the  symbol and can **only** be unlocked again via the display by pressing the ,  and  keys at the same time again. It is **not** possible to unlock the hardware by communication. All parameters can be displayed even if the instrument is locked.



5.3.2 Unlocking of configuration mode

If an attempt is made to change parameters on display when the instrument is locked, the user is automatically requested to unlock the instrument:

Function "unlock parameter" (0A4):

By entering the unlock parameter (on the display or via communication)

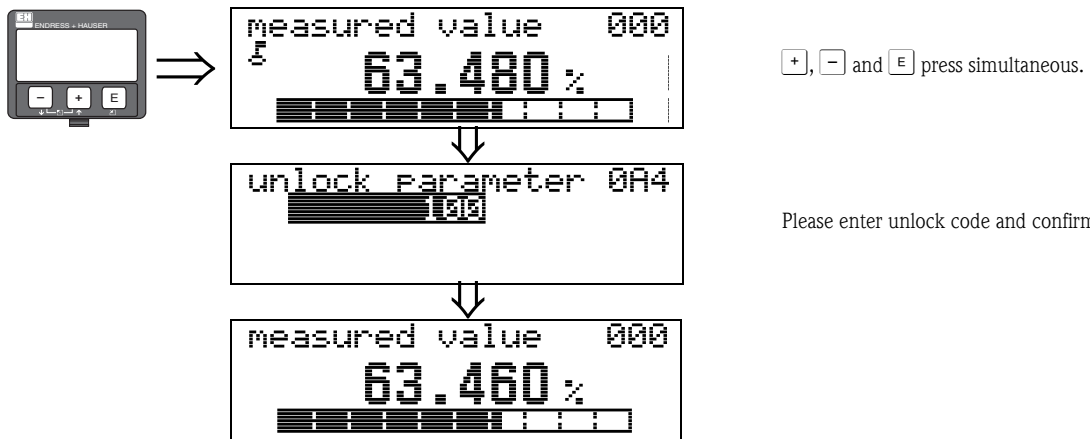
100 = for HART devices

the Micropilot is released for operation.

Hardware unlock:

After pressing the **+**, **-** and **E** keys at the same time, the user is asked to enter the unlock parameter

100 = for HART devices.



Caution!

Changing certain parameters such as all sensor characteristics, for example, influences numerous functions of the entire measuring system, particularly measuring accuracy. There is no need to change these parameters under normal circumstances and consequently, they are protected by a special code known only to the Endress+Hauser service organization. Please contact Endress+Hauser if you have any questions.

5.3.3 Factory settings (Reset)



Caution!

A reset sets the instrument back to the factory settings. This can lead to an impairment of the measurement. Generally, you should perform a basic setup again following a reset.

A reset is only necessary if the instrument...

- ... no longer functions
- ... must be moved from one measuring point to another
- ... is being de-installed /put into storage/installed



User input ("reset" (0A3)):

- 333 = customer parameters

333 = reset customer parameters

This reset is recommended whenever an instrument with an unknown "history" is to be used in an application:

- The Micropilot is reset to the default values.
- The customer specific tank map is not deleted.
- A linearisation is switched to "**linear**" although the table values are retained. The table can be reactivated in the "**linearisation**" (04) function group.

List of functions that are affected by a reset:

- | | |
|-------------------------|--------------------------|
| ■ tank shape (002) | ■ diameter vessel (047) |
| ■ empty calibr. (005) | ■ range of mapping (052) |
| ■ full calibr. (006) | ■ pres. Map dist (054) |
| ■ pipe diameter (007) | ■ offset (057) |
| ■ output on alarm (010) | ■ low output limit (062) |
| ■ output on alarm (011) | ■ fixed current (063) |
| ■ outp. echo loss (012) | ■ fixed cur. value (064) |
| ■ ramp %span/min (013) | ■ simulation (065) |
| ■ delay time (014) | ■ simulation value (066) |
| ■ safety distance (015) | ■ 4mA value (068) |
| ■ in safety dist. (016) | ■ 20mA value (069) |
| ■ level/ullage (040) | ■ format display (094) |
| ■ linearisation (041) | ■ distance unit (0C5) |
| ■ customer unit (042) | ■ download mode (0C8) |

The tank map can also be reset in the "**mapping**" (055) function of the "**extended calibr.**" (05) function group.

This reset is recommended whenever an instrument with an unknown "history" is to be used in an application or if a faulty mapping was started:

- The tank map is deleted. The mapping must be recommenced.

5.4 Display and acknowledging error messages

Type of error


Errors that occur during commissioning or measuring are displayed immediately on the local display. If two or more system or process errors occur, the error with the highest priority is the one shown on the display.

The measuring system distinguishes between two types of error:

- **A (Alarm):**

Instrument goes into a defined state (e.g. max 22 mA)


Indicated by a constant  symbol.

(For a description of the codes, →  67)

- **W (Warning):**

Instrument continue measuring, error message is displayed.


Indicated by a flashing  symbol.

(For a description of the codes, →  67)

- **E (Alarm / Warning):**


Configurable (e.g. loss of echo, level within the safety distance)



Indicated by a constant/flashing  symbol.

(For a description of the codes, →  67)



5.4.1 Error messages

Error messages appear as four lines of plain text on the display. In addition, a unique error code is also output. A description of the error codes, →  67.

- The "**diagnostics**" (**0A**) function group can display current errors as well as the last errors that occurred.
- If several current errors occur, use  or  to page through the error messages.
- The last occurring error can be deleted in the "**diagnostics**" (**0A**) function group with the funktion "**clear last error**" (**0A2**).

5.5 HART communication

Apart from local operation, you can also parameterise the measuring instrument and view measured values by means of a HART protocol. There are two options available for operation:

- Operation via the universal Field Communicator 375, 475.
- Operation via the Personal Computer (PC) using the operating program (e.g. FieldCare, → 31).

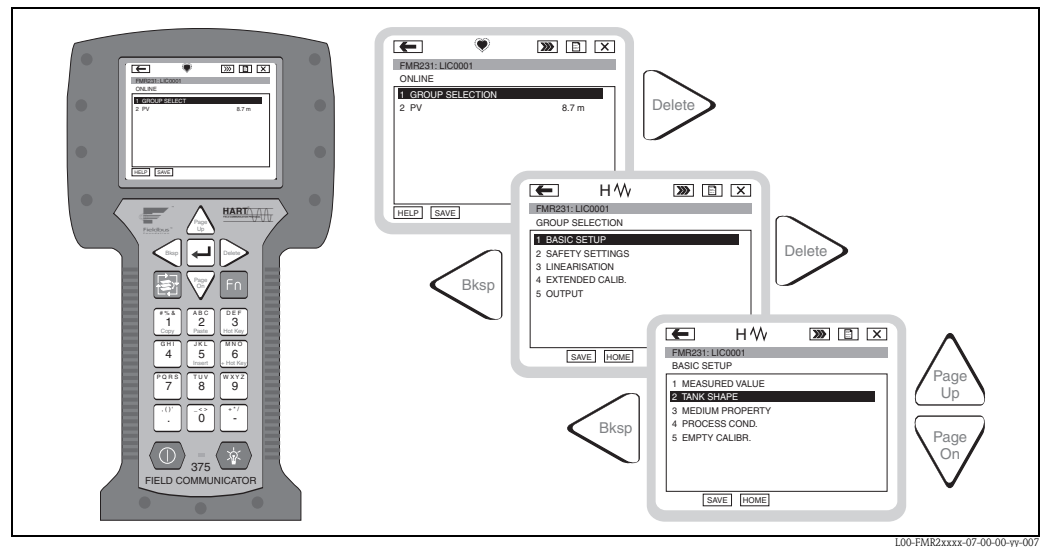


Note!

The Micropilot M can also be operated locally using the keys. If operation is prevented by the keys being locked locally, parameter entry via communication is not possible either.

5.5.1 Field Communicator 375, 475

All device functions can be adjusted via menu operation with the Field Communicator 375, 475.



Menu operation with the Field Communicator 375



Note!

Further information on the Field Communicator 375, 475 unit is given in the respective operating manual included in the transport bag of the instrument.

5.5.2 Endress+Hauser operating program

FieldCare is an Endress+Hauser asset management tool based on FDT technology. With FieldCare, you can configure all Endress+Hauser devices as well as devices from other manufacturers that support the FDT standard. Hardware and software requirements you can find on the internet: www.endress.com → select your country → Search: FieldCare → FieldCare → Technical Data.

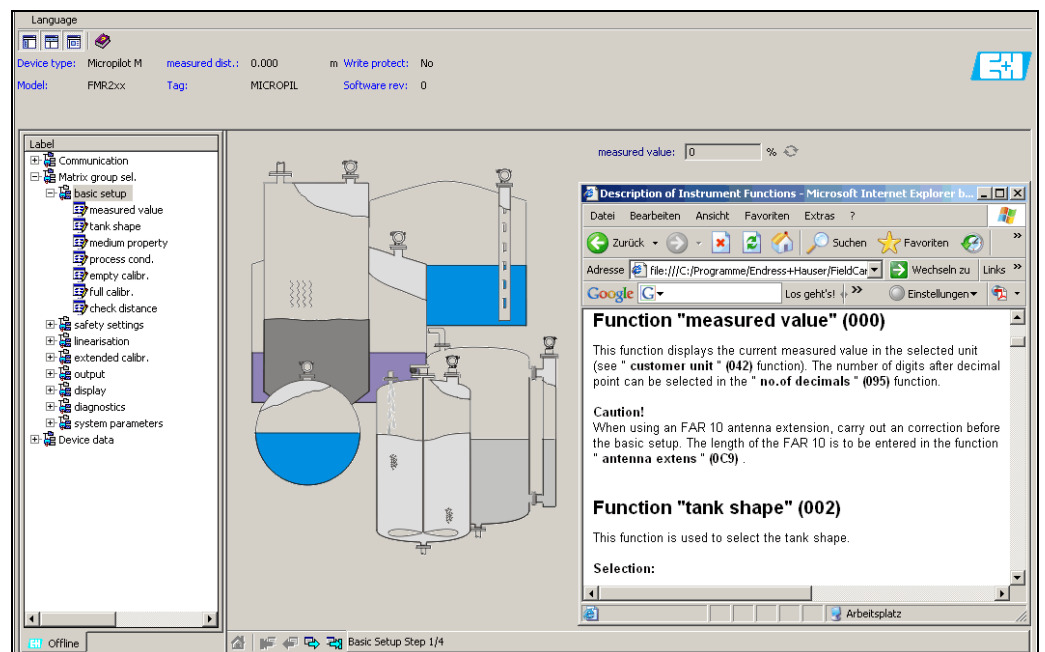
FieldCare supports the following functions:

- Configuration of transmitters in online operation
- Singal analysis via envelope curve
- Tank linearisation
- Loading and saving device data (upload/download)
- Documentation of the measuring point

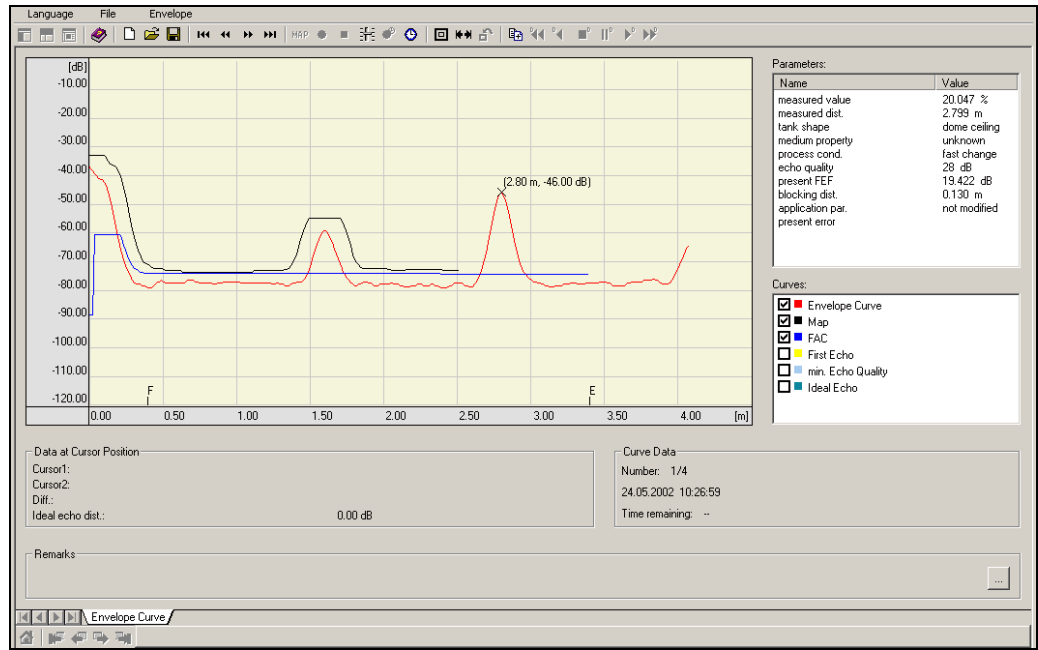
Connection options:

- HART via Commubox FXA195 and the USB port on a computer
- Commubox FXA291 with ToF Adapter FXA291 (USB) via service interface

Menu-guided commissioning

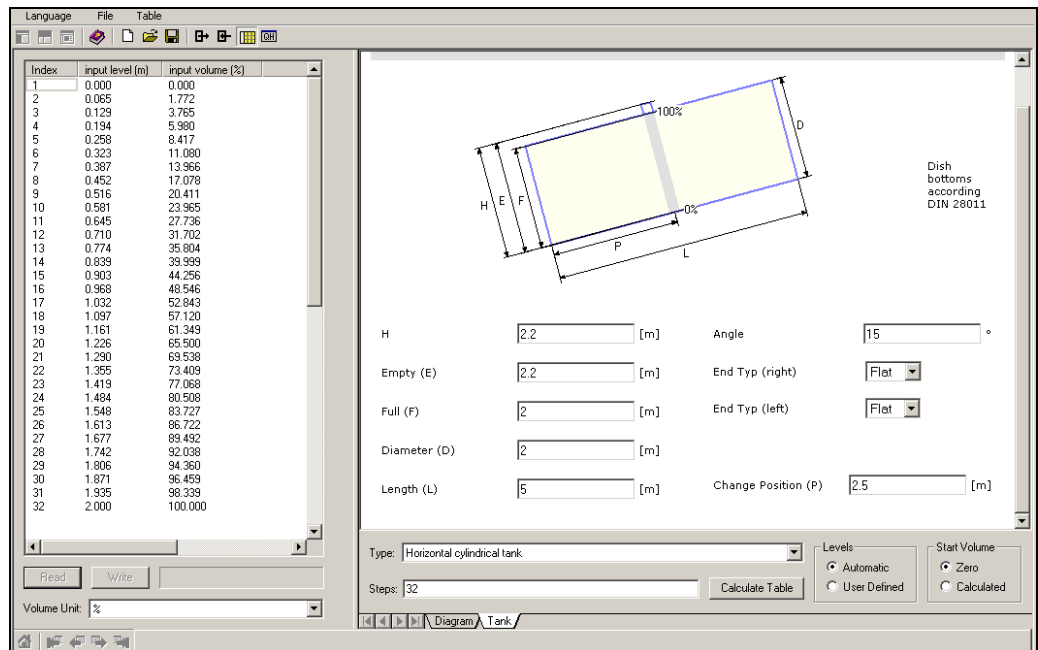


Signal analysis via envelope curve



MicroplotM-en-306

Tank linearisation



MicroplotM-en-307

6 Commissioning

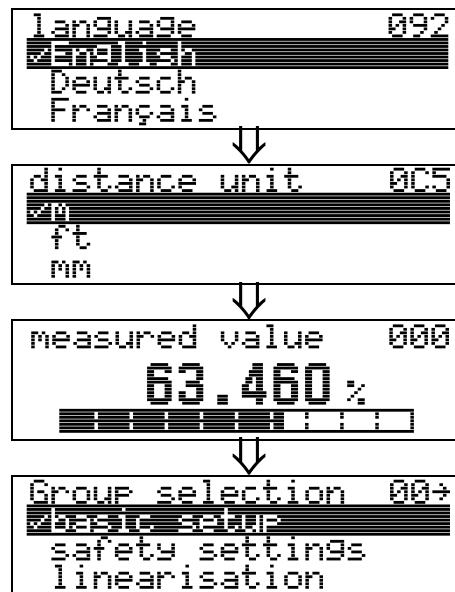
6.1 Function check

Make sure that all final checks have been completed before you start up your measuring point:

- Checklist "Post installation check", → 26.
- Checklist "Post connection check", → 32.

6.2 Switching on the measuring device

When the instrument is switched on for the first time, the following messages appear in a sequence of 5 s on the display: software version, communication protocol and language selection.



Select the language (this message appears the first time the instrument is switched on)

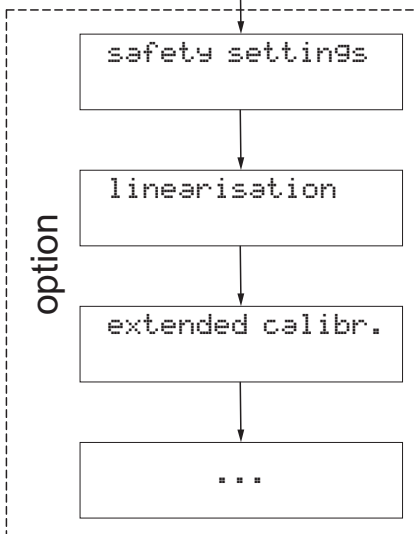
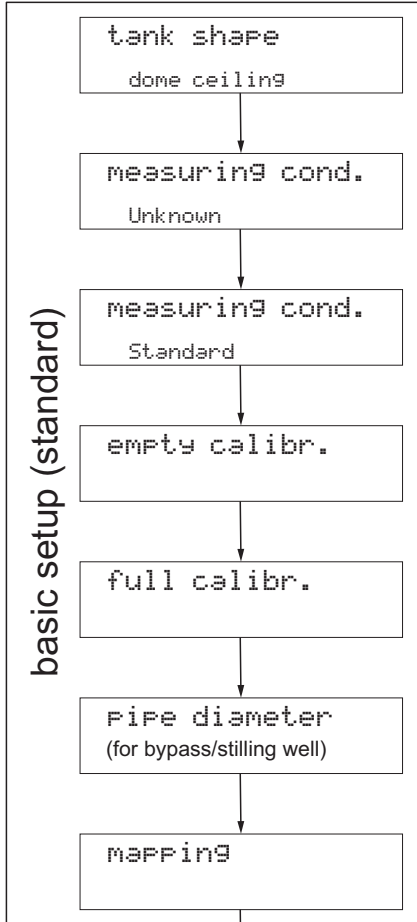
Select the basic unit (this message appears the first time the instrument is switched on)

The current measured value is displayed

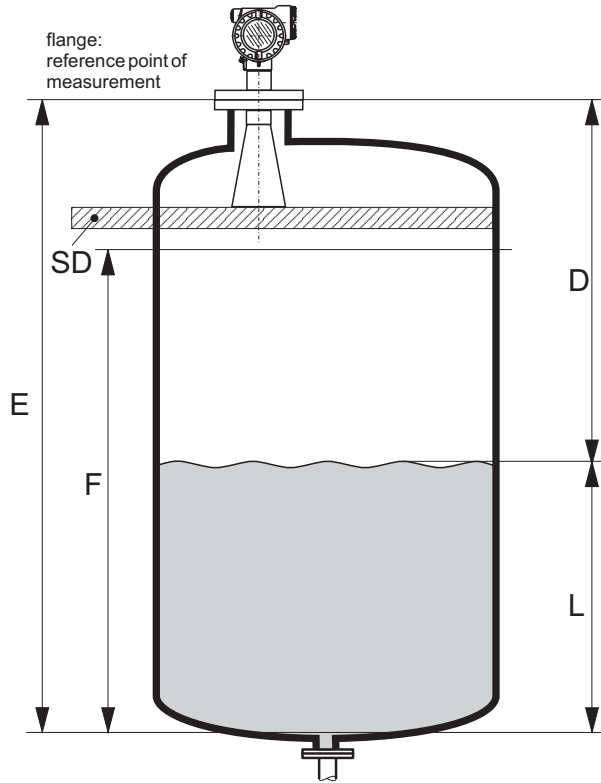
After [E] is pressed, you reach the group selection

This selection enables you to perform the basic setup

6.3 Basic Setup



(description see BA221F/00/EN)



- E = empty calibr. (= zero)
setting in 005
- F = full calibr. (= span)
setting in 006
- D = distance (distance flange / product)
display in 0A5
- L = level
display in 0A6
- SD = safety distance
setting in 015

**Caution!**

The basic setup is sufficient for successful commissioning in most applications. Complex measuring operations necessitate additional functions that the user can use to customise the Micropilot as necessary to suit his specific requirements. The functions available to do this are described in detail in the BA00221F/00/EN.

Comply with the following instructions when configuring the functions in the "**basic setup**" (00):

- Select the functions as described, → 33.
- Some functions can only be used depending on the parameterisation of the instrument. For example, the pipe diameter of a stilling well can only be entered if "**stilling well**" was selected beforehand in the "**tank shape**" (002) function.
- Certain functions (e.g. starting an interference echo mapping (053)) prompt you to confirm your data entries. Press or to select "**YES**" and press to confirm. The function is now started.
- If you do not press a key during a configurable time period (→ function group "**display**" (09)), an automatic return is made to the home position (measured value display).

**Note!**

- The instrument continues to measure while data entry is in progress, i.e. the current measured values are output via the signal outputs in the normal way.
- If the envelope curve mode is active on the display, the measured values are updated in a slower cycle time. Thus, it is advisable to leave the envelope curve mode after the measuring point has been optimised.
- If the power supply fails, all preset and parameterised values remain safely stored in the EEPROM.
- All functions are described in detail, as is the overview of the operating menu itself, in the manual "**BA00221F - Description of Instrument Functions**", which is found on the enclosed CD-ROM.
- The default values of the parameters are typed in **boldface**.

6.4 Basic Setup with the device display

Function "measured value" (000)



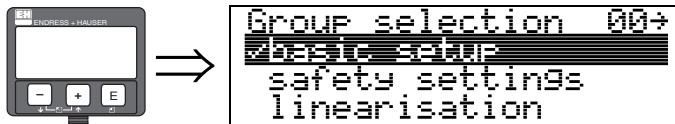
This function displays the current measured value in the selected unit (see "**customer unit**" (042) function). The number of digits after decimal point can be selected in the "**no.of decimals**" (095) function.



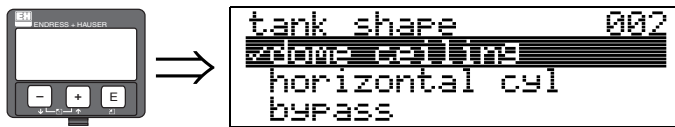
Caution!

When using an FAR10 antenna extension, carry out an correction before the basic setup. The length of the FAR10 is to be entered in the function "**antenna extens**" (0C9) (see "BA00221F - Description of Instrument Functions").

6.4.1 Function group "basic setup" (00)



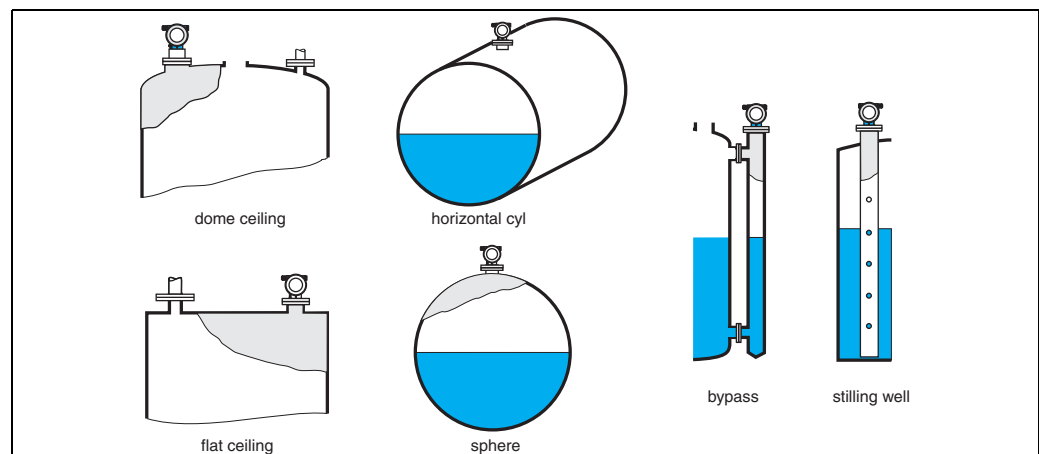
Function "tank shape" (002)



This function is used to select the tank shape.

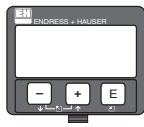
Selection:

- dome ceiling
- horizontal cyl
- bypass
- stilling well
- flat ceiling
- sphere



L00-FMR2xxx-14-00-06-es-007

Function "medium property" (003)



```

medium Property 003
unknown
DC: < 1.9
DC: 1.9 ... 4
  
```

This function is used to select the dielectric constant.

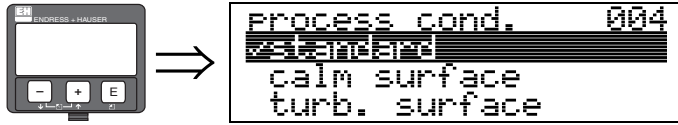
Selection:

- unknown
- DC: < 1.9
- DC: 1.9 ... 4
- DC: 4 ... 10
- DC: > 10

Product class	DC (ϵ_r)	Examples
A	1,4 to 1,9	non-conducting liquids, e.g. liquefied gas ¹⁾
B	1,9 to 4	non-conducting liquids, e.g. benzene, oil, toluene, ...
C	4 to 10	e.g. concentrated acids, organic solvents, esters, aniline, alcohol, acetone, ...
D	>10	conducting liquids, e.g. aqueous solutions, dilute acids and alkalis

1) Treat Ammonia NH₃ as a medium of group A, i.e. use FMR230 in a stilling well.

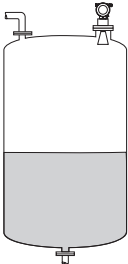
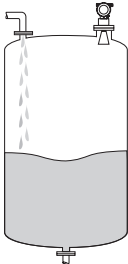
Function "process cond." (004)

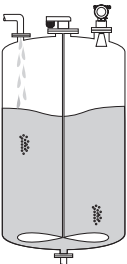
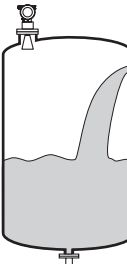


This function is used to select the process conditions.

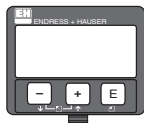
Selection:

- standard
- calm surface
- turb. surface
- agitator
- fast change
- test: no filter

standard	calm surface	turb. surface
For all applications that do not fit into any of the following groups.	Storage tanks with immersion tube or bottom filling.	Storage / buffer tanks with rough surface due to free filling or mixer nozzles.
		
The filter and output damping are set to average values.	The averaging filters and output damping are set to high values. → steady meas. value → precise measurement → slower reaction time	Special filters to smooth the input signals are emphasised. → smoothed meas. value → medium fast reaction time

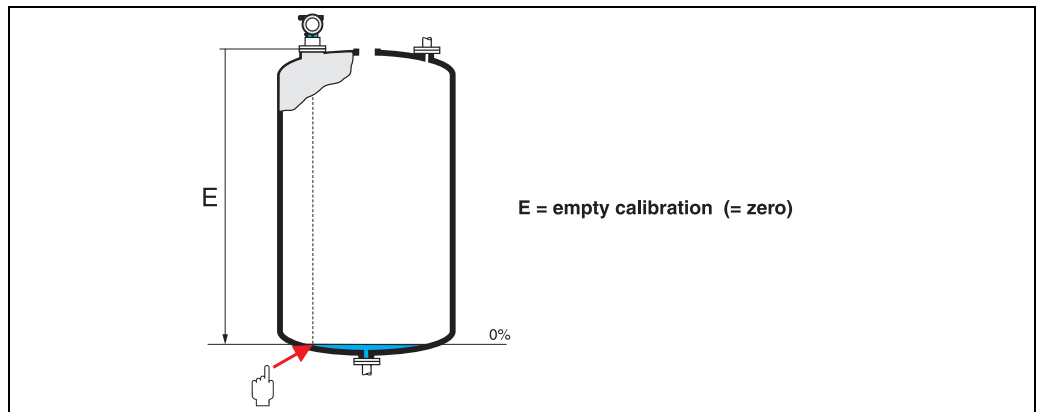
agitator	fast change	test: no filter
Agitated surfaces (with possible vortex) due to agitators.	Rapid change of level, particularly in small tanks.	All filters can be switched off for service / diagnostic purposes.
		
Special filters to smooth the input signals are set to high values. → smoothed meas. value → medium fast reaction time → minimization of effects by agitator blades.	The averaging filters are set to low values. The output damping is set to 0. → rapid reaction time → possibly unsteady meas. value	All filters off.

Function "empty calibr." (005)



```
empty calibr. 005
5.000 m
distance process
conn. to min. level
```

This function is used to enter the distance from the flange (reference point of the measurement) to the minimum level (=zero).



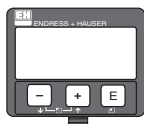
L00-FMR2xxxx-14-00-06-en-008



Caution!

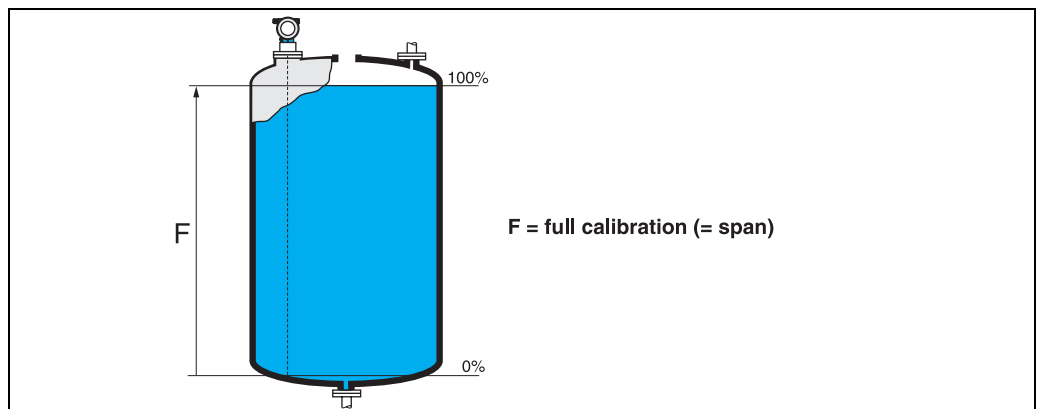
For dish bottoms or conical outlets, the zero point should be no lower than the point at which the radar beam hits the bottom of the tank.

Function "full calibr." (006)



```
full calibr. 006
4.000 m
span
```

This function is used to enter the distance from the minimum level to the maximum level (=span). In principle, it is possible to measure up to the tip of the antenna. However, due to considerations regarding corrosion and build-up, the end of the measuring range should not be chosen any closer than 50 mm (1.97 in) to the tip of the antenna.



L00-FMR2xxxx-14-00-06-en-009



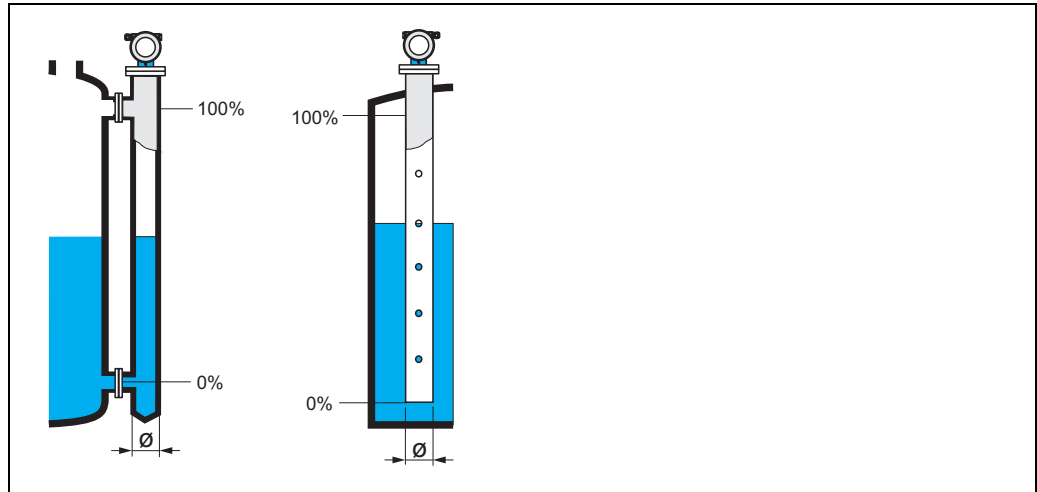
Note!

If **bypass** or **stilling well** was selected in the "tank shape" (002) function, the pipe diameter is requested in the following step.

Function "pipe diameter" (007)



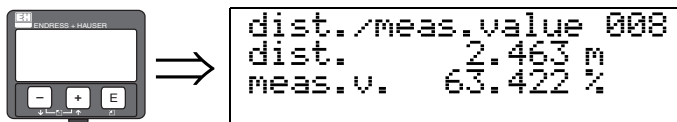
This function is used to enter the pipe diameter of the stilling well or bypass pipe.



L00-FMR2xxxx-14-00-00-es-011

Microwaves propagate more slowly in pipes than in free space. This effect depends on the inside diameter of the pipe and is automatically taken into account by the Micropilot. It is only necessary to enter the pipe diameter for applications in a bypass or stilling well.

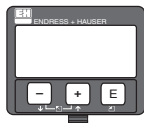
Function "dist./meas.value" (008)



The **distance** measured from the reference point to the product surface and the **level** calculated with the aid of the empty adjustment are displayed. Check whether the values correspond to the actual level or the actual distance. The following cases can occur:

- Distance correct – level correct → continue with the next function, "**check distance**" (051)
- Distance correct – level incorrect → Check "**empty calibr.**" (005)
- Distance incorrect – level incorrect → continue with the next function, "**check distance**" (051)

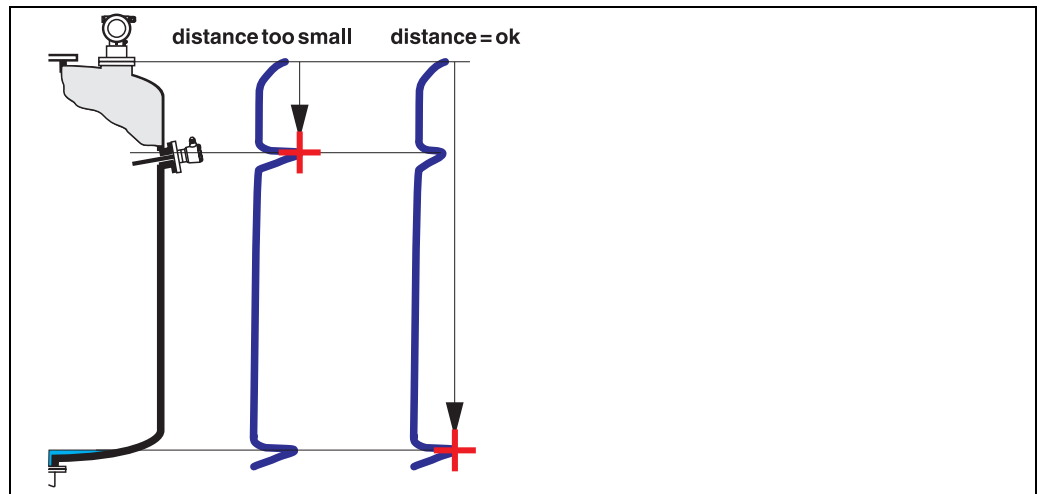
Function "check distance" (051)



This function triggers the mapping of interference echoes. To do so, the measured distance must be compared with the actual distance to the product surface. The following options are available for selection:

Selection:

- distance = ok
- dist. too small
- dist. too big
- **dist. unknown**
- manual



L00_FMR2xxxx-14-00-06-en-010

distance = ok

- mapping is carried out up to the currently measured echo
- The range to be suppressed is suggested in the "**range of mapping**" (052) function

Anyway, it is wise to carry out a mapping even in this case.

dist. too small

- At the moment, an interference is being evaluated
- Therefore, a mapping is carried out including the presently measured echoes
- The range to be suppressed is suggested in the "**range of mapping**" (052) function

dist. too big

- This error cannot be remedied by interference echo mapping
- Check the application parameters (002), (003), (004) and "**empty calibr.**" (005)

dist. unknown

If the actual distance is not known, no mapping can be carried out.

manual

A mapping is also possible by manual entry of the range to be suppressed. This entry is made in the "**range of mapping**" (052) function.



Caution!

The range of mapping must end 0,5 m (1.6 ft) before the echo of the actual level. For an empty tank, do not enter E, but E – 0,5 m (1.6 ft). If a mapping already exists, it is overwritten up to the distance specified in "**range of mapping**" (052). Beyond this value the existing mapping remains unchanged.

Function "range of mapping" (052)



This function displays the suggested range of mapping. The reference point is always the reference point of the measurement (→ 46). This value can be edited by the operator. For manual mapping, the default value is 0 m.

Function "start mapping" (053)



This function is used to start the interference echo mapping up to the distance given in "range of mapping" (052).

Selection:

- off → no mapping is carried out
- on → mapping is started

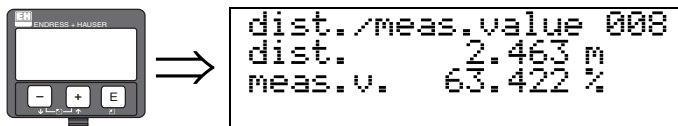
During the mapping process the message "record mapping" is displayed.



Caution!

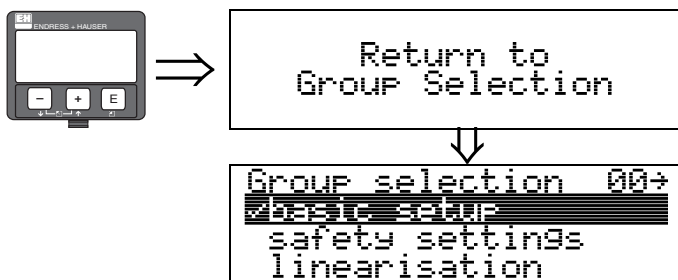
A mapping will be recorded only, if the device is not in alarm-state.

Function "dist./meas.value" (008)



The **distance** measured from the reference point to the product surface and the **level** calculated with the aid of the empty adjustment are displayed. Check whether the values correspond to the actual level or the actual distance. The following cases can occur:

- Distance correct – level correct → continue with the next function, "check distance" (051)
- Distance correct – level incorrect → Check "empty calibr." (005)
- Distance incorrect – level incorrect → continue with the next function, "check distance" (051)



After 3 s, the following message appears

6.4.2 Envelope curve with device display

After the basic setup, an evaluation of the measurement with the aid of the envelope curve ("envelope curve" (0E) function group) is recommended.

Function "plot settings" (0E1)



Select which information will be displayed in the LCD:

- **envelope curve**
- env.curve+FAC (on FAC see BA00221F/00/EN)
- env.curve+cust.map (i.e. customer tank map is also displayed)

Function "recording curve" (0E2)

This function defines whether the envelope curve is read as a

- **single curve**
- or
- **cyclic.**

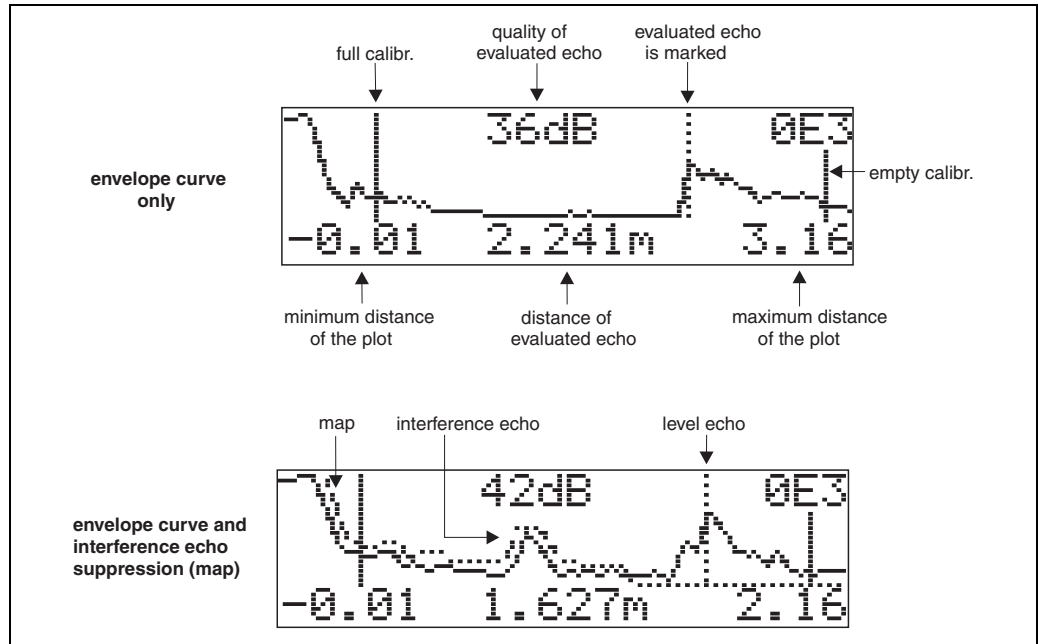


Note!

- If the cyclical envelope curve is active in the display, the measured value is refreshed in a slower cycle time. It is therefore recommended to exit the envelope curve display after optimising the measuring point.
- An **orientation** of the Micropilot can help to optimise measurement in applications with very weak level echos or strong interference echos by increasing the useful echo/reducing the interference echo (see "Orientation of the Micropilot", → 71).

Function "envelope curve display" (OE3)

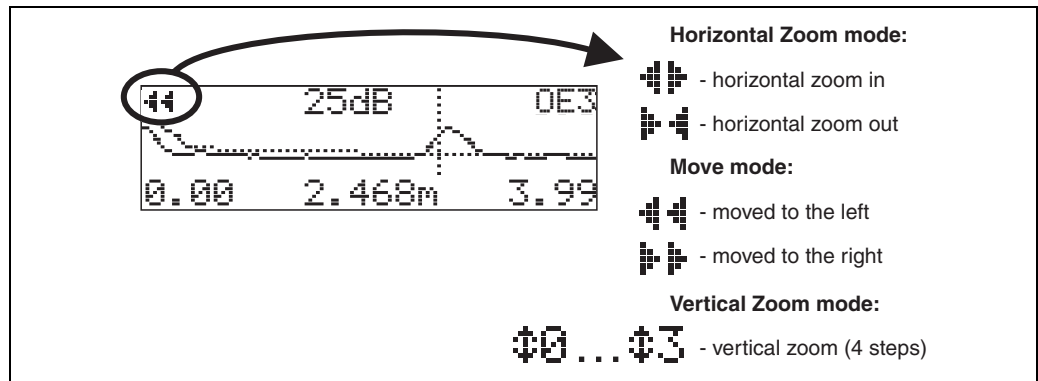
The envelope curve is displayed in this function. You can use it to obtain the following information:



L00-FM14xxxx-07-00-00-en-003

Navigating in the envelope curve display

Using navigation, the envelope curve can be scaled horizontally and vertically and shifted to the left or the right. The active navigation mode is indicated by a symbol in the top left hand corner of the display.

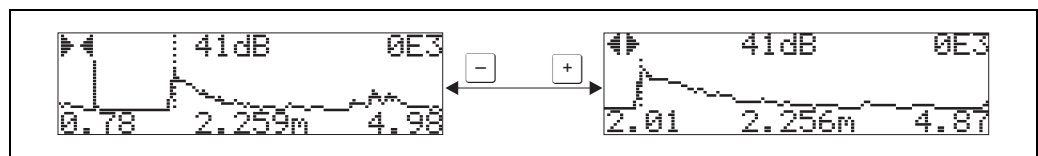


L00-FMxxxxxx-07-00-00-en-004

Horizontal Zoom mode

Firstly, go into the envelope curve display. Then press **[+]** or **[-]** to switch to the envelope curve navigation. You are then in Horizontal Zoom mode. Either **[** or **[** is displayed.

- **[+]** increases the horizontal scale.
- **[-]** reduces the horizontal scale.

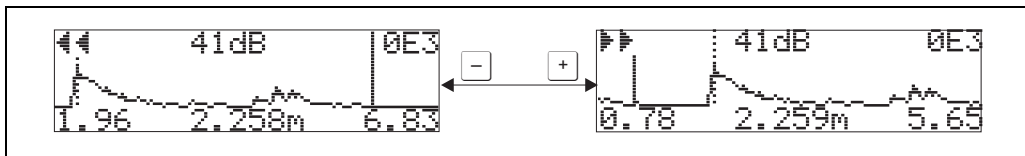


L00-FMxxxxxx-07-00-00-yy-007

Move mode

Then press **[E]** to switch to Move mode. Either **←** or **→** is displayed.

- **[+]** shifts the curve to the right.
- **[-]** shifts the curve to the left.



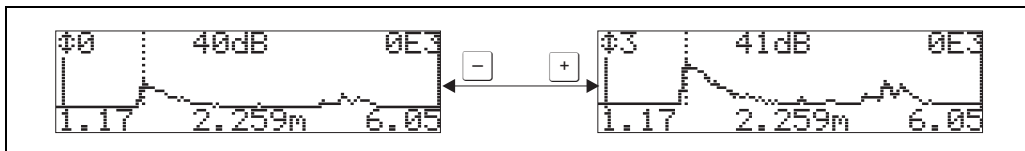
100-FMxxxxxx-07-00-00-yy-008

Vertical Zoom mode

Press **[E]** once more to switch to Vertical Zoom mode. **z1** is displayed. Now you have the following options.

- **[+]** increases the vertical scale.
- **[-]** reduces the vertical scale.

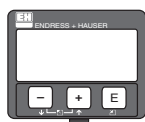
The display icon shows the current zoom factor (**z0** to **z3**).



100-FMxxxxxx-07-00-00-yy-009

Exiting the navigation

- Press **[E]** again to run through the different modes of the envelope curve navigation.
- Press **[+]** and **[-]** to exit the navigation. The set increases and shifts are retained. Only when you reactivate the "recording curve" (**0E2**) function does the Micropilot use the standard display again.



Return to
Group Selection



```
Group selection 0E2
-----
display
diagnostics
```

After 3 s, the following message appears

6.5 Basic Setup with the Endress+Hauser operating program

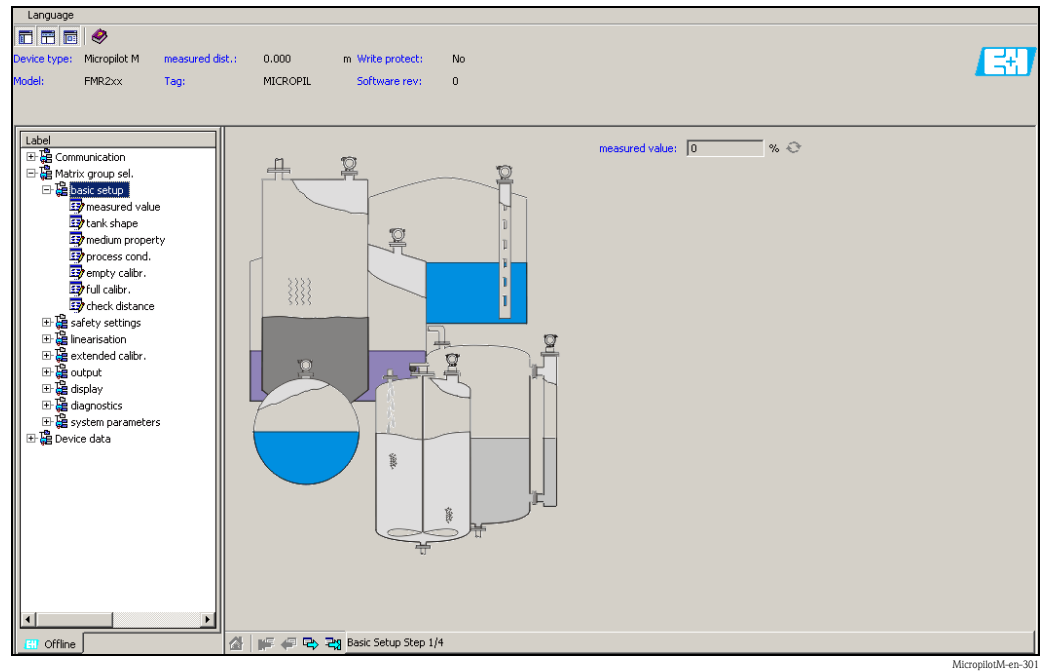
To carry out the basic setup with the operating program, proceed as follows:

- Start the operating program and establish a connection.
- Select the "**basic setup**" function group in the navigation window.

The following display appears on the screen:

Basic Setup step 1/4:

- Measured value



- The "**Next**" button moves you to the next screen display:

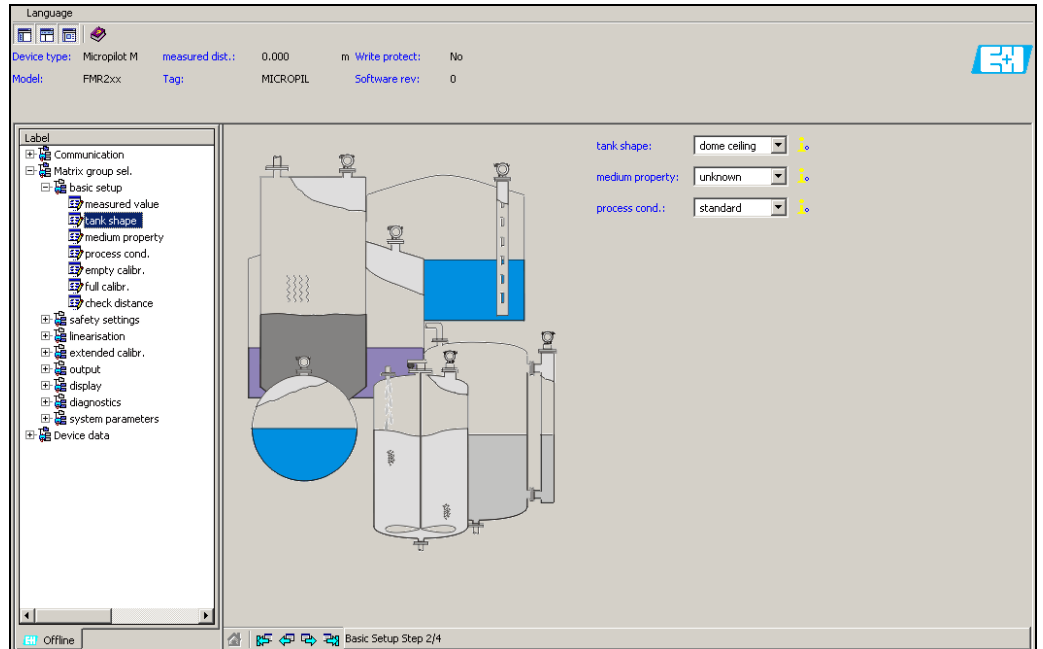


Note!

Each parameter that is changed must be confirmed with the **RETURN** key!

Basic Setup step 2/4:

- Enter the application parameters:
 - Tank shape
 - Medium property
 - Process cond.

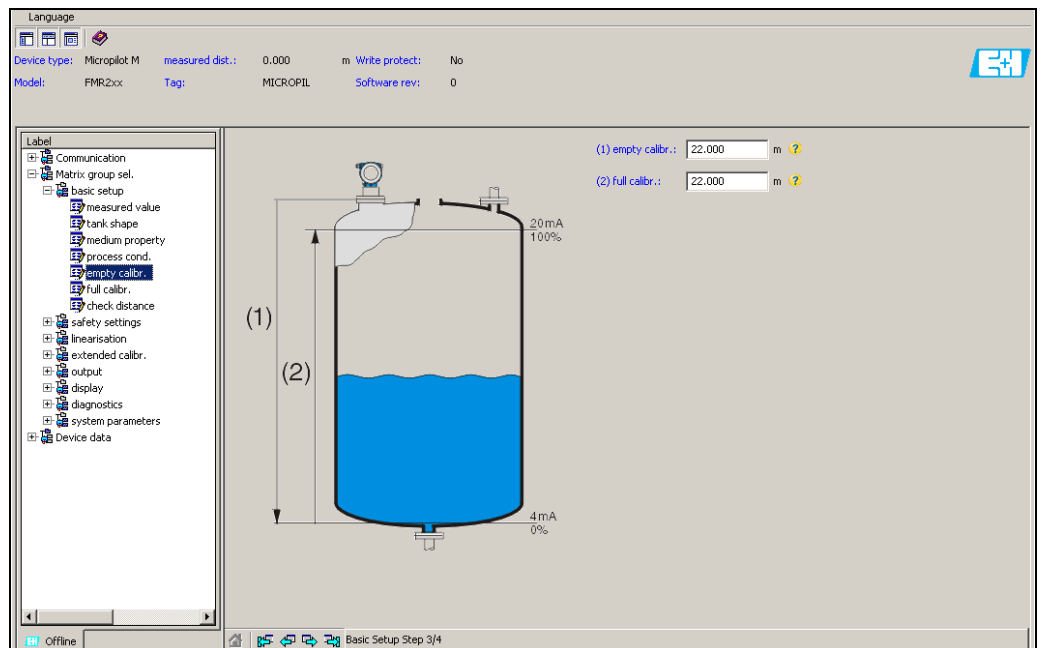


MicropilotM-en-302

Basic Setup step 3/4:

If "dome ceiling", "horizontal cyl", "... " is selected in the "tank shape" function, the following display appears on the screen:

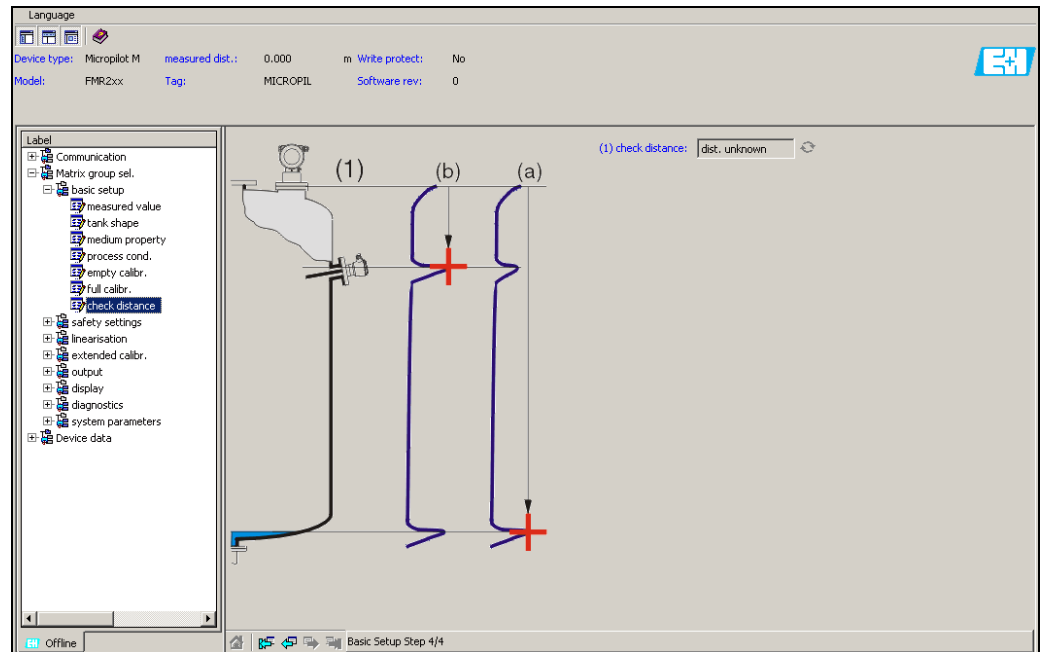
- Empty calibr.
- Full calibr.



MicropilotM-en-303

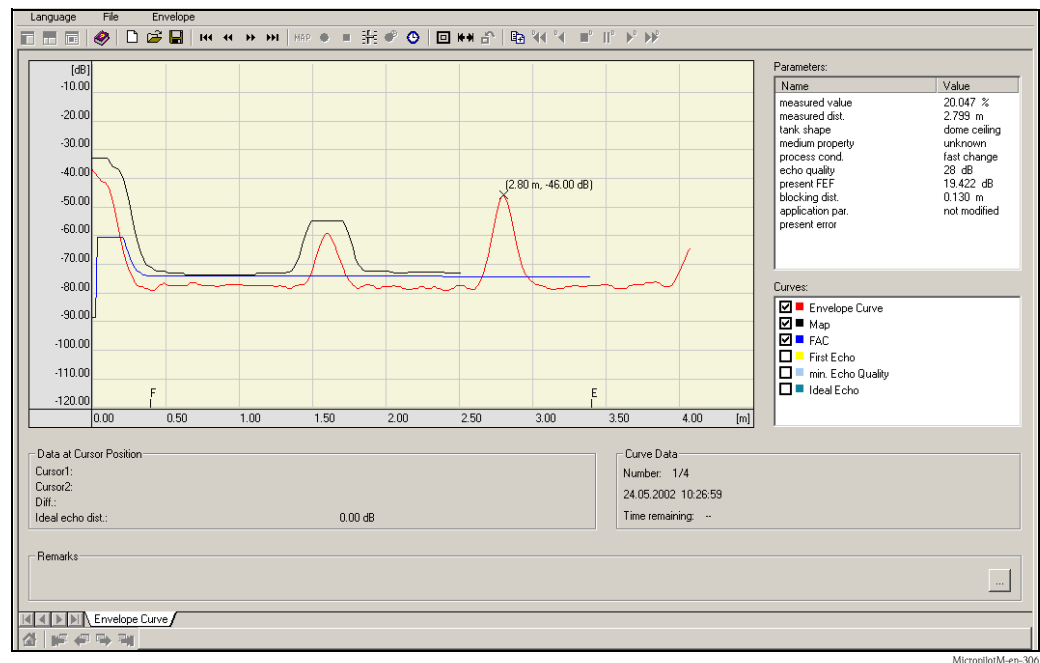
Basic Setup step 4/4:

- This step starts the tank mapping
- The measured distance and the current measured value are always displayed in the header



6.5.1 Signal analysis via envelope curve

After the basic setup, an evaluation of the measurement using the envelope curve is recommended.



Note!

If the level of echo is very weak or there is a heavy interference echo, an orientation of the Micropilot can help optimise the measurement (increase of the useful echo/reduction of the interference echo).

6.5.2 User-specific applications (operation)

For details of setting the parameters of user-specific applications, see separate documentation BA00221F/00/EN "Description of Instrument Functions" on the enclosed CD-ROM.

7 Maintenance

The Micropilot M measuring instrument requires no special maintenance.

Exterior cleaning

When cleaning the exterior of measuring devices, always use cleaning agents that do not attack the surface of the housing and the seals.

Replacing seals

The process seals of the sensors must be replaced periodically, particularly if molded seals (aseptic construction) are used. The period between changes depends on the frequency of cleaning cycles and on the temperature of the measured substance and the cleaning temperature.

Repairs

The Endress+Hauser repair concept assumes that the measuring devices have a modular design and that customers are able to undertake repairs themselves (→ § 73, "Spare Parts"). Please contact Endress+Hauser Service for further information on service and spare parts.

Repairs to Ex-approved devices

When carrying out repairs to Ex-approved devices, please note the following:

- Repairs to Ex-approved devices may only be carried out by trained personnel or by Endress+Hauser Service.
- Comply with the prevailing standards, national Ex-area regulations, safety instructions (XA) and certificates.
- Only use original spare parts from Endress+Hauser.
- When ordering a spare part, please note the device designation on the nameplate. Only replace parts with identical parts.
- Carry out repairs according to the instructions. On completion of repairs, carry out the specified routine test on the device.
- Only Endress+Hauser Service may convert a certified device into a different certified variant.
- Document all repair work and conversions.

Replacement

After a complete Micropilot or electronic module has been replaced, the parameters can be downloaded into the instrument again via the communication interface. Prerequisite to this is that the data were uploaded to the PC beforehand using the FieldCare.

Measurement can continue without having to carry out a new setup.

- You may have to activate linearisation (see BA00221F/00/EN on the enclosed CD-ROM)
- You may need to record the tank map again (see Basic Setup)

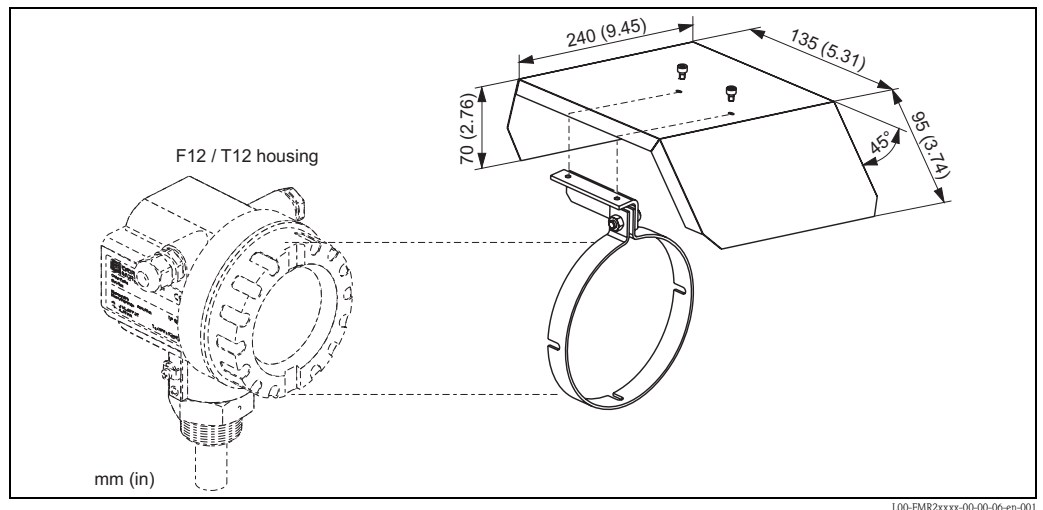
After an antenna component or electronic has been replaced, a new calibration must be carried out. This is described in the repair instructions.

8 Accessories

Various accessories, which can be ordered separately from Endress+Hauser, are available for the Micropilot M.

8.1 Weather protection cover

A Weather protection cover made of stainless steel is recommended for outdoor mounting (order code: 543199-0001). The shipment includes the protective cover and tension clamp.



8.2 Commubox FXA195 HART

For intrinsically safe communication with FieldCare via the USB interface. For details refer to TI00404F/00/EN.

8.3 Commubox FXA291

The Commubox FXA291 connects Endress+Hauser field instruments with CDI interface (= Endress+Hauser Common Data Interface) to the USB interface of a personal computer or a notebook. For details refer to TI00405C/07/EN.



Note!

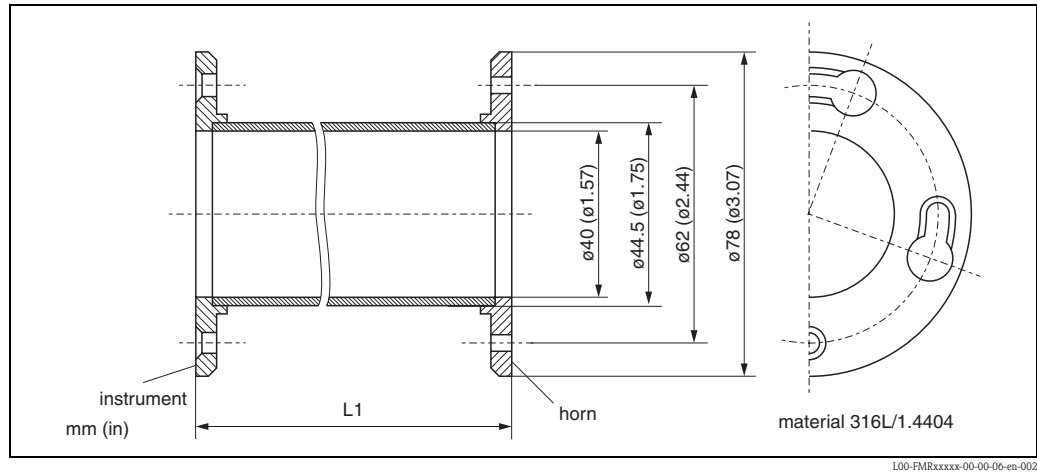
For the instrument you need the "ToF Adapter FXA291" as an additional accessory.

8.4 ToF Adapter FXA291

The ToF Adapter FXA291 connects the Commubox FXA291 via the USB interface of a personal computer or a notebook to the instrument. For details refer to KA00271F/00/A2.

8.5 Antenna extension FAR10

8.5.1 Dimensions

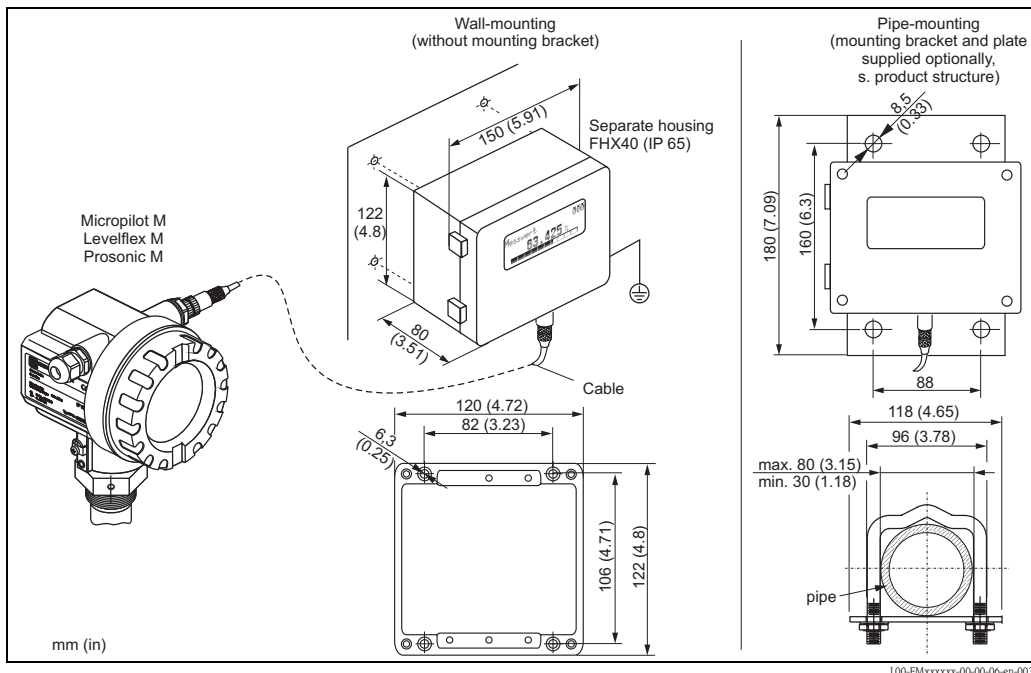


100-FMRxxxxx-00-00-06-en-002

8.5.2 Ordering information:

10	Material	
	6	316L
	7	316L + EN10204-3.1 material, NACE MR0175 (316l wetted parts) inspection certificate
	4	2.4600 / Alloy B2
	5	2.4610 / Alloy C4
	9	Special version, TSP-no. to be spec.
20	Extension (L1)	
	A	100 mm / 4"
	B	200 mm / 8"
	C	300 mm / 12"
	D	400 mm / 16"
	Y	Special version, TSP-no. to be spec.
FAR10-		Complete product designation

8.6 Remote display FHX40



Technical data (cable and housing) and product structure:

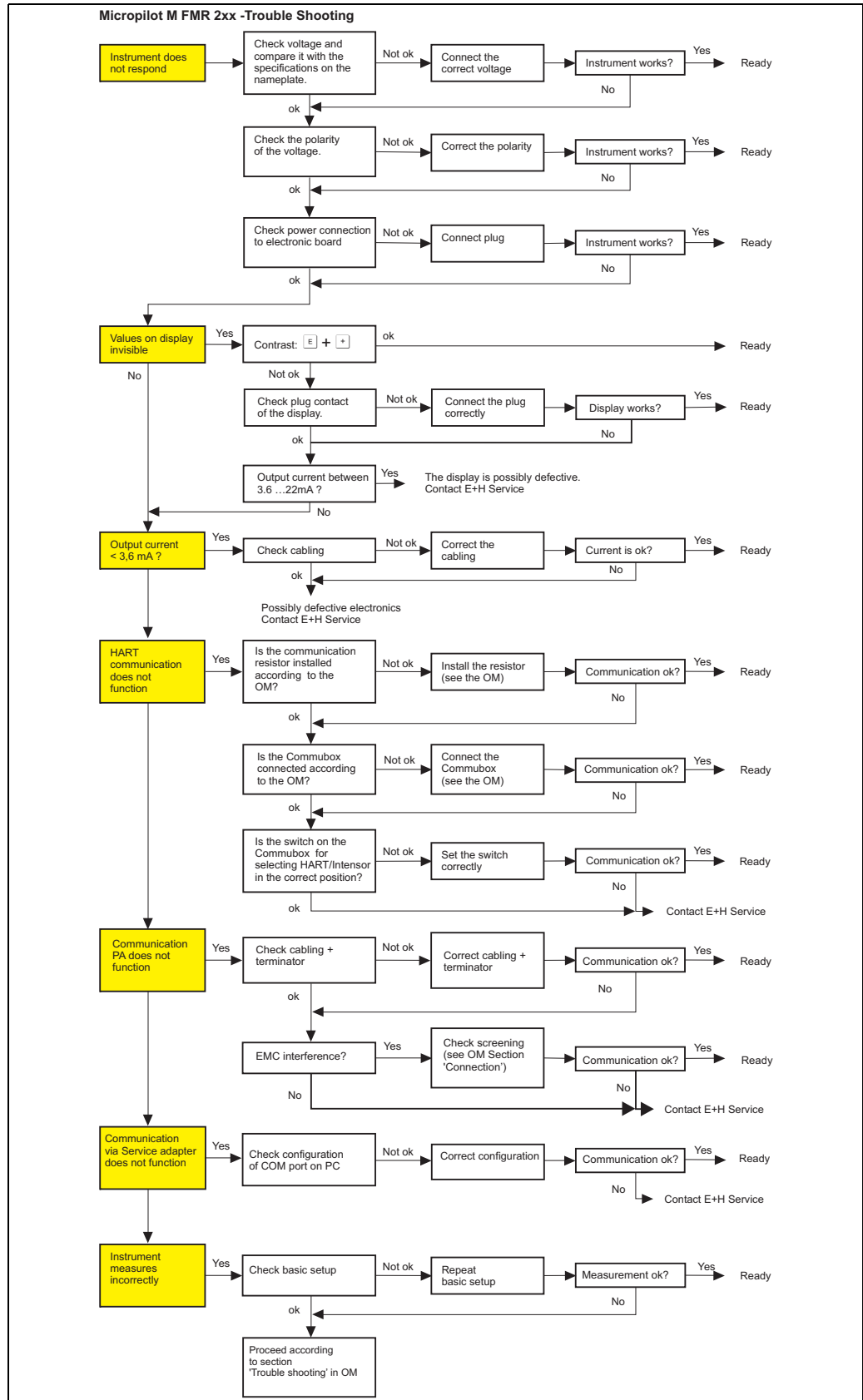
Max. cable length	20 m (66 ft)
Temperature range	-30 °C to +70 °C (-22 °F to +158 °F)
Degree of protection	IP65/67 (housing); IP68 (cable) acc. to IEC60529
Materials	Housing: AlSi12; cable glands: nickle plated brass
Dimensions [mm (in)]	122x150x80 (4.8x5.91x3.15) / HxWxD

010	Approval	A Non-hazardous area 2 ATEX II 2G Ex ia IIC T6 3 ATEX II 2D Ex ia IIIC T80°C G IECEx Zone1 Ex ia IIC T6/T5 S FM IS Cl. I Div.1 Gr. A-D, zone 0 U CSA IS Cl. I Div.1 Gr. A-D, zone 0 N CSA General Purpose K TIIS Ex ia IIC T6 C NEPSI Ex ia IIC T6/T5 Y Special version, TSP-no. to be spec.
020	Cable	1 20m / 65ft: for HART 5 20m / 65ft: for PROFIBUS PA/FOUNDATION Fieldbus 9 Special version, TSP-no. to be spec.
030	Additional option	A Basic version B Mounting bracket, pipe 1" / 2" Y Special version, TSP-no. to be spec.
995	Marking	1 Tagging (TAG), see additional spec.
FHX40 -		Complete product designation

For connection of the remote display FHX40 use the cable which fits the communication version of the respective instrument.

9 Trouble-shooting

9.1 Trouble-shooting instructions



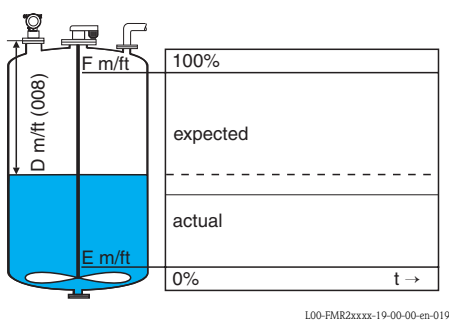
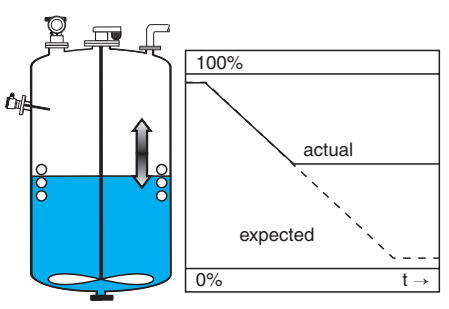
L00-FMR2xxx-19-00-00-es-010

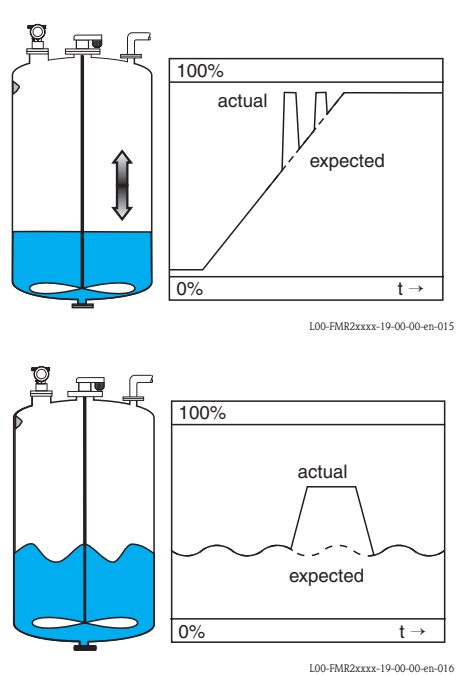
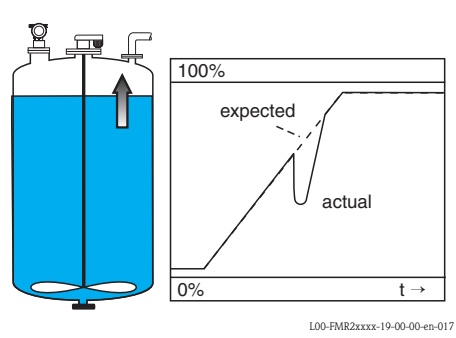
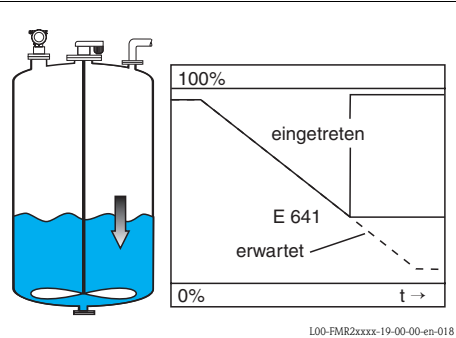
9.2 System error messages

Code	Description	Possible cause	Remedy
A102	checksum error general reset & new calibr.required	device has been powered off before data could be stored; emc problem; EEPROM defect	reset; avoid emc problem; if alarm prevails after reset, exchange electronics
W103	initialising - please wait	EEPROM storage not yet finished	wait some seconds; if warning prevails, exchange electronics
A106	downloading please wait	processing data download	wait until warning disappears
A110	checksum error general reset & new calibr.required	device has been powered off before data could be stored; emc problem; EEPROM defect	reset; avoid emc problem; if alarm prevails after reset, exchange electronics
A111	electronics defect	RAM defective	reset; if alarm prevails after reset, exchange electronics
A113	electronics defect	RAM defective	reset; if alarm prevails after reset, exchange electronics
A114	electronics defect	EEPROM defect	reset; if alarm prevails after reset, exchange electronics
A115	electronics defect	general hardware problem	reset; if alarm prevails after reset, exchange electronics
A116	download error repeat download	checksum of stored data not correct	restart download of data
A121	electronics defect	no factory calibration existant; EEPROM defective	contact service
W153	initialising - please wait	initialisation of electronics	wait some seconds; if warning prevails, power off device and power on again
A155	electronics defect	hardware problem	reset; if alarm prevails after reset, exchange electronics
A160	checksum error general reset & new calibr.required	device has been powered off before data could be stored; emc problem; EEPROM defect	reset; avoid emc problem; if alarm prevails after reset, exchange electronics
A164	electronics defect	hardware problem	reset; if alarm prevails after reset, exchange electronics
A171	electronics defect	hardware problem	reset; if alarm prevails after reset, exchange electronics
A231	sensor 1 defect check connection	HF module or electronics defective	exchange HF module or electronics
W511	no factory calibration ch1	factory calibration has been deleted	record new factory calibration
A512	recording of mapping please wait	mapping active	wait some seconds until alarm disappears
A601	linearisation ch1 curve not monotone	linearisation not monotonously increasing	correct linearisation table

Code	Description	Possible cause	Remedy
W611	less than 2 linearisation points for channel 1	number of entered linearisation points < 2	correct linearisation table
W621	simulation ch. 1 on	simulation mode is active	switch off simulation mode
E641	no usable echo channel 1 check calibr.	echo lost due to application conditions or built up on antenna	check installation; optimize orientation of antenna; clean antenna (cf. OM)
E651	level in safety distance - risk of overspill	level in safety distance	alarm will disappear as soon as level leaves safety distance;
E671	linearisation ch1 not complete, not usable	linearisation table is in edit mode	activate linearisation table
W681	current ch1 out of range	current out of range (3.8 mA to 20.5 mA)	check calibration and linearisation

9.3 Application errors

Error	Output	Possible cause	Remedy
A warning or alarm has occurred	Depending on the configuration	See table of error messages (→ 67)	1. See table of error messages (→ 67)
Measured value (000) is incorrect	 <p style="text-align: right; font-size: small;">L00-FMR2xxx-19-00-00-en-019</p>	<p>Measured distance (008) OK? yes →</p> <p style="text-align: center;">no ↓</p> <p>Measurement in bypass or stilling well? yes →</p> <p style="text-align: center;">no ↓</p> <p>Is an offset (057) active? yes →</p> <p style="text-align: center;">no ↓</p> <p>An interference echo may have been evaluated. yes →</p>	<p>1. Check empty calibr. (005) and full calibr. (006).</p> <p>2. Check linearisation: → level/ullage (040) → max. scale (046) → diameter vessel (047) → Check table</p> <p>1. Is bypass or stilling well selected in tank shape (002)?</p> <p>2. Is the pipe diameter (007) correct?</p> <p>1. offset (057) correctly set?</p> <p>1. Carry out tank mapping → basic setup</p>
No change off measured value on filling/emptying	 <p style="text-align: right; font-size: small;">L00-FMR2xxx-19-00-00-en-014</p>	<p>Interference echo from installations, nozzle or extension on the antenna</p>	<p>1. Carry out tank mapping → basic setup</p> <p>2. If necessary, clean antenna</p> <p>3. If necessary, select better mounting position (→ 14)</p> <p>4. If necessary due to wide interference echos set function detection window (0A7) to "off"</p>

Error	Output	Possible cause	Remedy
<p>If the surface is not calm (e.g. filling, emptying, agitator running), the measured value jumps sporadically to a higher level</p>	 <p>L00-FMR2xxxx-19-00-00-en-015</p> <p>L00-FMR2xxxx-19-00-00-en-016</p>	<p>Signal is weakened by the rough surface – the interference echoes are sometimes stronger</p>	<ol style="list-style-type: none"> 1. Carry out tank mapping → basic setup 2. Set the process cond. (004) to "turb. surface" or "agitator" 3. Increase the output damping (058) 4. Optimise the orientation (→ 71) 5. If necessary, select a better mounting position and/or larger antenna (→ 14)
<p>During filling/ emptying the measured value jumps ownwards</p>	 <p>L00-FMR2xxxx-19-00-00-en-017</p>	<p>Multiple echoes</p>	<p>yes →</p> <ol style="list-style-type: none"> 1. Check the tank shape (002), e.g. "dome ceiling" or "horizontal cyl" 2. In the range of the blocking dist. (059) there is no echo evaluation → Adapt the value 3. If possible, do not select central installation position (→ 14) 4. Perhaps use a stilling well (→ 22)
<p>E641 (loss of echo)</p>	 <p>L00-FMR2xxxx-19-00-00-en-018</p>	<p>Level echo is too weak.</p> <p>Possible causes:</p> <ul style="list-style-type: none"> ■ Rough surface due to filling/ emptying ■ Agitator running ■ Foam 	<p>yes →</p> <ol style="list-style-type: none"> 1. Check application arameters (002), (003) and (004) 2. Optimise alignment (→ 71) 3. If necessary, select a better installation position and/or larger antenna (→ 14)
<p>E641 (loss of echo) after turn on the power supply</p>	<p>If the instrument is configured to Hold by loss of echo the output is set to any value/current.</p>	<p>noise level during the initialisation phase to high.</p>	<p>Repeat once more empty calibr. (005).</p> <p>Caution! Before conformation change with <input type="checkbox"/>+ or <input type="checkbox"/>- to the edit mode.</p>

9.4 Orientation of the Micropilot

For orientation a marker is found on the flange or threaded boss of the Micropilot. During installation this must be oriented as follows (→ 10):

- In tanks: to the vessel wall
- In stilling wells: to the slots
- In bypass pipes: vertical to the tank connectors

After commissioning the Micropilot, the echo quality indicates whether a sufficiently large measuring signal is obtained. If necessary, the quality can be optimised later. Vice versa, the presence of an interference echo can be used to minimise this by optimum orientation. The advantage of this is that the subsequent tank mapping uses a somewhat lower level that causes an increase in the strength of the measuring signal.

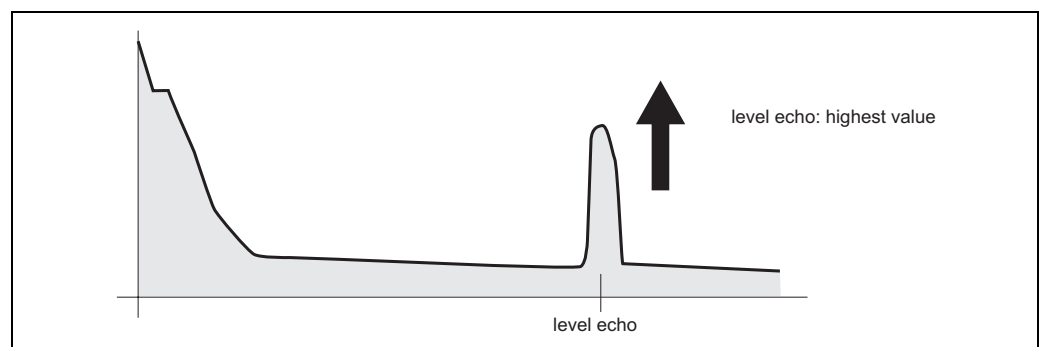
Proceed as follows:



Warning!

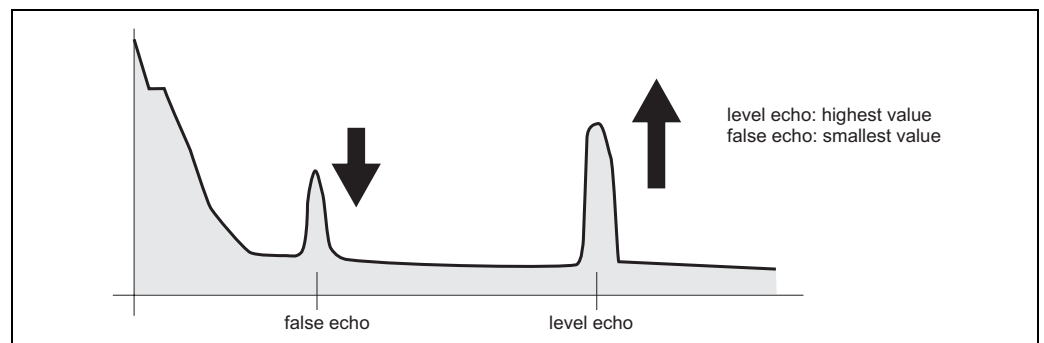
Subsequent alignment can lead to personal injury. Before you unscrew or loosen the process connection, make sure that the vessel is not under pressure and does not contain any injurious substances.

1. It is best to empty the container so that the bottom is just covered. However, alignment can be carried out even if the vessel is empty.
2. Optimisation is best carried out with the aid of the envelope graph in the display or the FieldCare.
3. Unscrew the flange or loosen the threaded boss by a half a turn.
4. Turn the flange by one hole or screw the threaded boss by one eighth of a turn. Note the echo quality.
5. Continue to turn until 360° is reached.
6. Optimum alignment:



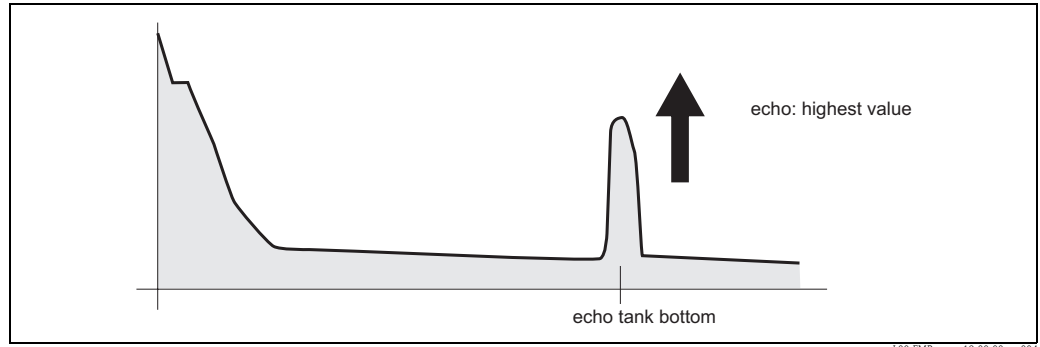
L00-FMRxxxxx-19-00-00-en-002

Vessel partly full, no interference echo obtained



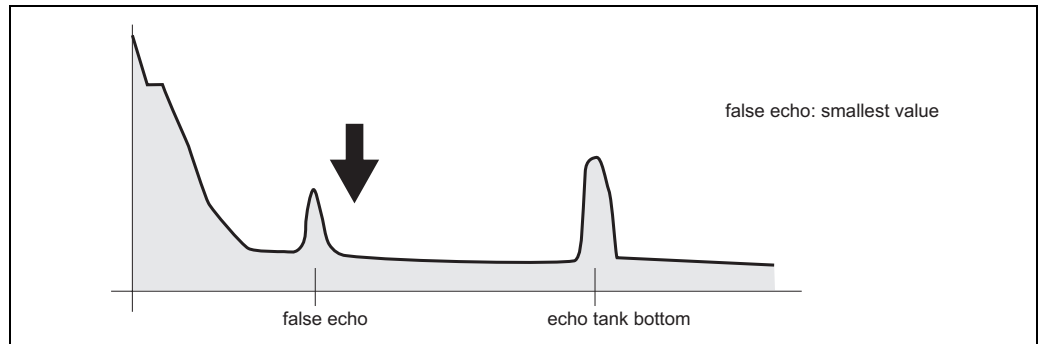
L00-FMRxxxxx-19-00-00-en-003

Vessel partly full, interference echo obtained:



L00-FMRxxxxx-19-00-00-es-004

Vessel empty, no interference echo



L00-FMRxxxxx-19-00-00-es-005

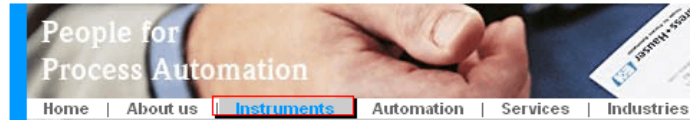
Vessel empty, interference echo obtained

7. Fix the flange or threaded boss in this position. If necessary, replace the seal.
8. Carry out tank mapping, → 53.

9.5 Spare Parts

An overview of the spare parts for your device is available in the internet at www.endress.com. To obtain information on the spare parts, proceed as follows:

1. Go to "www.endress.com" and select your country.
2. Click "Instruments".



3. Enter the product name into the "product name" field.

Endress+Hauser product search


Via product name

Enter the product name

4. Select the device.
5. Click the "Accessories/Spare parts" tab.

General information	Technical information	Documents/Software	Service	Accessories/Spare parts
---------------------	-----------------------	--------------------	---------	--------------------------------

- ▶ Accessories
- ▼ All Spare parts
 - ▶ Housing/housing accessories
 - ▶ Sealing
 - ▶ Cover
 - ▶ Terminal module
 - ▶ HF module
 - ▶ Electronic
 - ▶ Power supply
 - ▶ Antenna module



Advice

Here you'll find a list of all available accessories and spare parts. To only view accessories and spare parts specific to your product(s), please contact us and ask about our Life Cycle Management Service.

◀ | 1 / 2 | ▶ | 🔍

6. Select the required spare parts (You may also use the overview drawing on the right side of the screen.)

When ordering spare parts, always quote the serial number indicated on the nameplate. As far as necessary, the spare parts also include replacement instructions.

9.6 Return

The following procedures must be carried out before a transmitter is sent to Endress+Hauser e.g. for repair or calibration:

- Remove all residue which may be present. Pay special attention to the gasket grooves and crevices where fluid may be present. This is especially important if the fluid is dangerous to health, e.g. corrosive, poisonous, carcinogenic, radioactive, etc.
- Always enclose a duly completed "Declaration of contamination" form (a copy of the "Declaration of contamination" is included at the end of this operating manual).
Only then can Endress +Hauser transport, examine and repair a returned device.
- Enclose special handling instructions if necessary, for example a safety data sheet as per EN91/155/EEC.

Additionally specify:

- An exact description of the application.
- The chemical and physical characteristics of the product.
- A short description of the error that occurred (specify error code if possible).
- If necessary, give the error code.

9.7 Disposal

In case of disposal please separate the different components according to their material consistence.

9.8 Software history

Date	Software version	Changes to software	Documentation
12.2000	01.01.00	Original software. Operated via: – ToF Tool from version 1.5 – Commuwin II (from version 2.07-3) – HART communicator DXR275 (from OS 4.6) with Rev. 1, DD 1.	BA221F/00/EN/01.01 52006323
05.2002 03.2003	01.02.00 01.02.02	<ul style="list-style-type: none"> ■ Function group: envelope curve display ■ Katakana (japanese) ■ current turn down (HART only) ■ the customer tank map can be edited ■ length of antenna extension FAR10 can be entered directly Operated via: – ToF Tool from version 3.1 – Commuwin II (from version 2.08-1) – HART communicator DXR375 with Rev. 1, DD 1.	BA221F/00/EN/03.03 52006323
01.2005	01.02.04	Function "echo lost" improved	
03.2006	01.04.00	<ul style="list-style-type: none"> ■ Function: detection windowg Operated via: – ToF Tool from version 4.2 – FieldCare from version 2.02.00 – HART-Communicator DXR375 with Rev. 1, DD 1.	BA221F/00/EN/12.05 52006322 BA221F/00/EN/03.10 71114346

9.9 Contact addresses of Endress+Hauser

Contact addresses can be found on our homepage "www.endress.com/worldwide". If you have any questions, please do not hesitate to contact your Endress+Hauser representative.

10 Technical data

10.1 Additional technical data

10.1.1 Input

Measured variable The measured variable is the distance between a reference point and a reflective surface (i.e. medium surface). The level is calculated based on the tank height entered. The level can be converted into other units (volume, mass) by means of a linearization (32 points).

Operating frequency ■ C-band
Up to 8 Micropilot M transmitters can be installed in the same tank because the transmitter pulses are statistically coded.

Transmitting power

Distance	Average energy density in beam direction	
	max. measuring range = 20m (66ft) / 44m (131ft)	measuring range = 70 m (230 ft)
1 m (3.3 ft)	< 12 nW/cm ²	< 64 nW/cm ²
5 m (16 ft)	< 0,4 nW/cm ²	< 2,5 nW/cm ²

10.1.2 Output


Output signal 4 to 20 mA (invertible) with HART protocol

Signal coding FSK ±0.5 mA over currency signal

Data transmission rate 1200 Baud

Galvanic isolation Yes (IO-Module)

Signal on alarm Error information can be accessed via the following interfaces:

- Local display:
 - Error symbol (→  36)
 - Plain text display
- Current output, signal on error can be selected (e.g. according to NAMUR recommendation NE43)
- Digital interface

Linearization The linearization function of the Micropilot M allows the conversion of the measured value into any unit of length or volume. Linearization tables for calculating the volume in cylindrical tanks are pre-programmed. Other tables of up to 32 value pairs can be entered manually or semi-automatically.

10.1.3 Auxiliary energy

Ripple HART 47 to 125 Hz: $U_{ss} = 200 \text{ mV}$ (at 500Ω)

Max. noise HART 500 Hz to 10 kHz: $U_{eff} = 2.2 \text{ mV}$ (at 500Ω)

10.1.4 Performance characteristics

Reference operating conditions	<ul style="list-style-type: none"> ■ Temperature = +20 °C ±5 °C (+68 °F ±41 °F) ■ Pressure = 1013 mbar abs. ±20 mbar (15 psi ±0.29 psi) ■ Relative humidity (air) = 65 % ±20 % ■ Ideal reflector. No major interference reflections inside the signal beam.
Maximum measured error	<p>Typical statements of measuring range for reference conditions, include linearity, repeatability, and hysteresis:</p> <ul style="list-style-type: none"> ■ up to 10 m ±10 mm (33 ft ±0.39 in) ■ off 10 m ±0,1 % (33 ft ±0,1 %)
Resolution	Digital / analog in % 4 to 20 mA: 1 mm (0.04 in) / 0.03 % of measuring range.
Reaction time	The reaction time depends on the parameter settings (min. 1 s). In case of fast level changes, the instrument needs the reaction time to indicate the new value.
Influence of ambiente temperature	<p>The measurements are carried out in accordance with EN61298-3:</p> <ul style="list-style-type: none"> ■ digital output HART: <ul style="list-style-type: none"> – average T_K: 3 mm (0.12 in) /10 K, max. 10 mm (0.39 in) over the entire temperature range -40 °C to +80 °C (-40 °F to +176 °F) ■ Current output (additional error, in reference to the span of 16 mA): <ul style="list-style-type: none"> – Zero point (4 mA) average T_K: 0,03 %/10 K, max. 0,45 % over the entire temperature range -40 °C to +80 °C (-40 °F to +176 °F) – Span (20 mA) average T_K: 0,09 %/10 K, max. 0,95 % over the entire temperature range -40 °C to +80 °C (-40 °F to +176 °F)

Effect of gas phase High pressures reduce the propagation velocity of the measuring signals in the gas/vapor above the fluid. This effect depends on the gas/vapor and is particularly large for low temperatures. This results in a measuring error that gets bigger as the distance increases between the device zero point (flange) and product surface. The following table illustrates this measured error for a few typical gases/vapors (with regard to the distance; a positive value means that too large a distance is being measured):

Gas phase	Temperature		Pressure				
	°C	°F	1 bar (14.5 psi)	10 bar (145 psi)	50 bar (725 psi)	100 bar (1450 psi)	160 bar (2320 psi)
Air Nitrogen	20	68	0.00 %	0.22 %	1.2 %	2.4 %	3.89 %
	200	392	-0.01 %	0.13 %	0.74 %	1.5 %	2.42 %
	400	752	-0.02 %	0.08 %	0.52 %	1.1 %	1.70 %
Hydrogen	20	68	-0.01 %	0.10 %	0.61 %	1.2 %	2.00 %
	200	392	-0.02 %	0.05 %	0.37 %	0.76 %	1.23 %
	400	752	-0.02 %	0.03 %	0.25 %	0.53 %	0.86 %
Water (saturated steam)	100	212	0.20 %	–	–	–	–
	180	356	–	2.1 %	–	–	–
	263	505.4	–	–	8.6 %	–	–
	310	590	–	–	–	22 %	–
	364	687.2	–	–	–	–	41.8 %

**Note!**

When the pressure is known and constant, this measured error can, for example, be compensated by means of linearization.

10.1.5 Operating conditions: Environment

Ambient temperature range	Ambient temperature for the transmitter: -40 °C to +80 °C (-40 to +176 °F) or -50 °C to +80 °C (-58 to +176 °F). The functionality of the LCD display may be limited for temperatures $T_a < -20$ °C (-4 °F) and $T_a > +60$ °C (+140 °F). A weather protection cover should be used for outdoor operation if the instrument is exposed to direct sunlight.
Storage temperature	-40 °C to +80 °C (-40 to +176 °F) or -50 °C to +80 °C (-58 to +176 °F).
Climate class	DIN EN 60068-2-38 (test Z/AD)
Vibration resistance	DIN EN 60068-2-64 / IEC 68-52-64: <ul style="list-style-type: none"> ■ FMR230/231, FMR240/244/245 with 40 mm (1½") antenna: 20 to 2000 Hz, 1 (m/s²)²/Hz
Cleaning of the antenna	The antenna can get contaminated, depending on the application. The emission and reception of microwaves can thus eventually be hindered. The degree of contamination leading to an error depends on the medium and the reflectivity, mainly determined by the dielectric constant ϵ_r . If the medium tends to cause contamination and deposits, cleaning on a regular basis is recommended. Care has to be taken not to damage the antenna in the process of a mechanical or hose-down cleaning (eventually connection for cleaning liquid). The material compatibility has to be considered if cleaning agents are used! The maximum permitted temperature at the flange should not be exceeded.
Electromagnetic compatibility	<ul style="list-style-type: none"> ■ Electromagnetic compatibility in accordance with all the relevant requirements of the EN61326 series and NAMUR recommendation EMC (NE21). For details refer to the Declaration of Conformity. Maximum deviation < 0.5 % of the span. ■ A standard installation cable is sufficient if only the analogue signal is used. Use a screened cable when working with a superimposed communications signal (HART).

10.1.6 Operating conditions: Process

Process temperature range /
Process pressure limits

Note!

The specific range may be reduced by the selected process condition. The pressure rating (PN) specified on the flanges refers to a reference temperature of 20 °C (68 °F), for ASME flanges to 100 °F. Observe pressure temperature dependency.

The pressure values permitted at higher temperatures can be found in the following standards:

- EN1092-1: 2001 Tab. 18

With regard to their temperature stability properties, the materials 1.4404 and 1.4435 are grouped under 13E0 in EN1092-1 Tab. 18. The chemical composition of the two materials can be identical.

- ASME B16.5a - 1998 Tab. 2-2.2 F316
- ASME B16.5a - 1998 Tab. 2.3.8 N10276
- JIS B 2220

Type of antenna		Seal	Temperature	Pressure	Wetted parts
V	Standard	FKM Viton GLT	-40 °C to +200 °C (-40 °F to +392 °F) ¹⁾	-1 bar to 64 bar (-14.5 psi to +942.5 psi)	PTFE, seal, 316L resp. Alloy C4
E	Standard	EPDM	-40 °C to +150 °C (-40 °F to +302 °F)		
K	Standard	Kalrez (Spectrum 6375)	-20 °C to +200 °C (-4 °F to +392 °F) ¹⁾		
L	Extended temperature	Graphit	-60 °C to +280 °C (-76 °F to +536 °F)	-1 bar to 100 bar (-14.5 psi to +1450 psi)	Ceramic (Al ₂ O ₃ : 99,7%), Graphit, 316L
M	High temperature	Graphit	-60 °C to +400 °C (-76 °F to +752 °F)	-1 bar to 160 bar (-14.5 psi to +2320 psi)	

↑ see ordering information, → 6

1) max. +150 °C (+302 °F) for conductive media

Dielectric constant

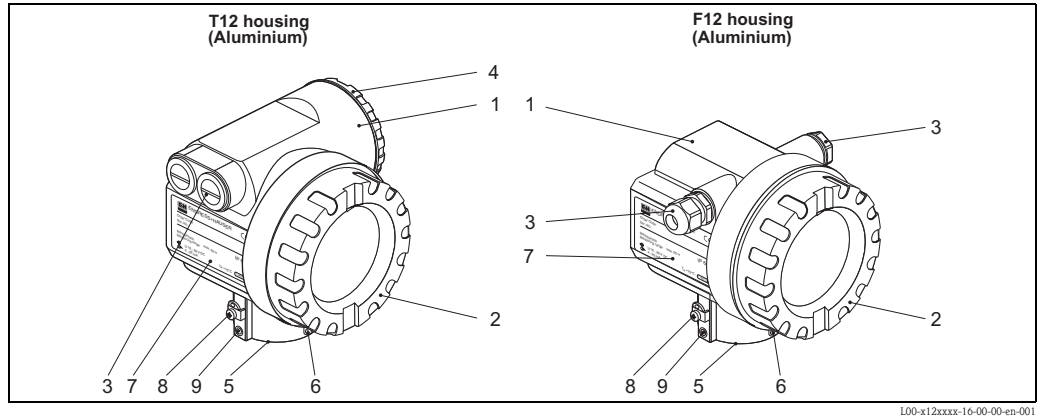
- in a stilling well: $\epsilon_r \geq 1,4$
- in free space: $\epsilon_r \geq 1,9$

10.1.7 Mechanical construction

Weight

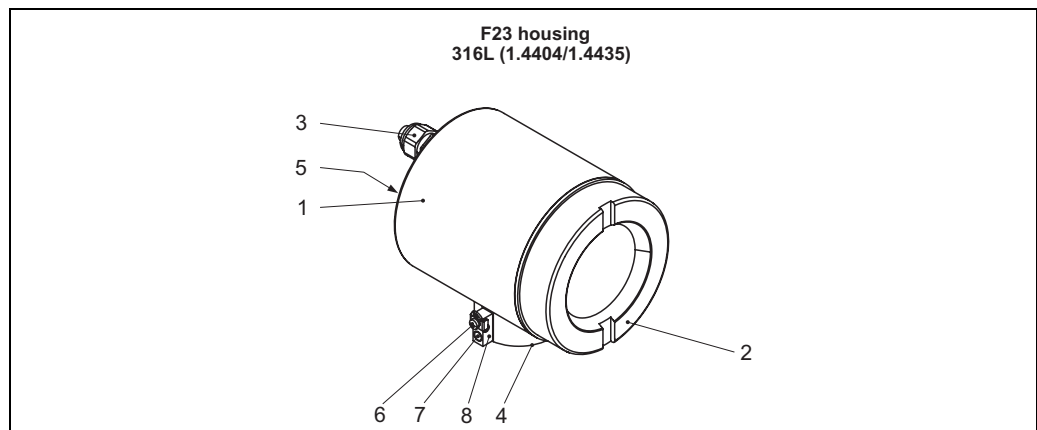
- F12/T12 housing: approx 6 kg (13.23 lbs) + weight of flange
- F23 housing: approx 9.4 kg (20.73 lbs) + weight of flange

Material (not in contact with process) *Materials of T12 and F12 housing (seawater-resistant, powder-coated)*



Pos.	Part	Material	
1	T12 and F12 housing	AlSi10Mg	
2	Cover (Display)	AlSi10Mg	
	Sealing	Fa. SHS: EPDM 70pW FKN	
	Window	ESG-K-Glass (Toughened safety glass)	
	Sealing of the glass	Silicone sealing compound Gomastit 402	
3	Sealing	Fa. SHS: EPDM 70 pW FKN Trelleborg: EPDM E7502	
	Cable gland	Polyamid (PA), CuZn nickel-plated	
	Plug	PBT-GF30	1.0718 galvanized
		PE	3.1655
Adapter	316L (1.4435) AlMgSiPb (anodized)		
4	Cover (Connection compartment)	AlSi10Mg	
	Sealing	Fa. SHS: EPDM 70pW FKN Trelleborg: EPDM E7502/E7515	
	Clamp	Screws: A4; Clamp: Ms nickel-plated; Spring washer: A4	
5	Sealing ring	Fa. SHS: EPDM 70pW FKN Trelleborg: EPDM E7502/E7515	
6	Retaining ring for tag	VA	
	Rope	VA	
	Crimp sleeve	Aluminium	
7	Nameplate	1.4301	
	Groove pin	A2	
8	Ground terminal:	Screws: A2; Spring washer: A4; Clamp: 1.4301 Holder: 1.4310	
9	Screws	A2-70	

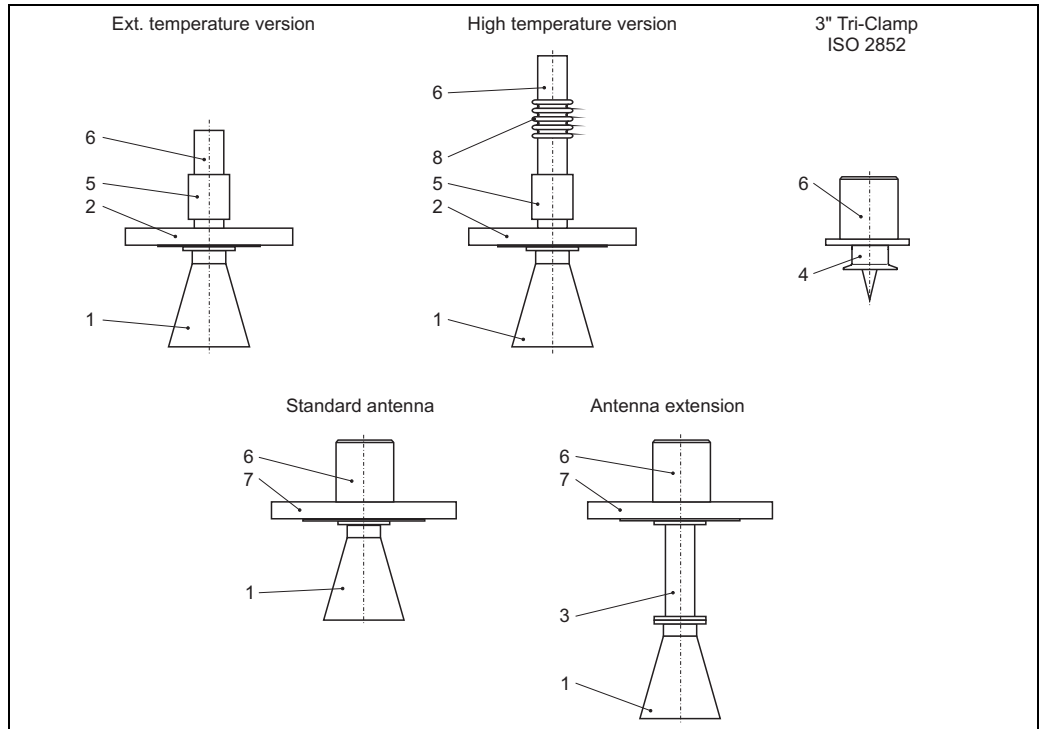
Materials of F23 housing (corrosion-resistant)



L00-x12xxxx-16-00-00-en-001

Pos.	Part	Material	
1	F23 housing	Housing body: 1.4404; Sensor neck: 1.4435; earth connection block: 1.4435	
2	Cover	1.4404	
	Sealing	Fa. SHS: EPDM 70pW FKN	
	Window	ESG-K-Glass (Toughened safety glass)	
	Sealing of the glass	Silicone sealing compound Gomastit 402	
3	Sealing	Fa. SHS: EPDM 70pW FKN	Trelleborg: EPDM E7502
	Cable gland	Polyamid (PA), CuZn nickel-plated	
	Plug	PBT-GF30	1.0718 galvanized
		PE	3.1655
Adapter	316L (1.4435)		
4	Sealing ring	Fa. SHS: EPDM 70pW FKN	Trelleborg: EPDM E7502
5	Nameplate	1.4301	
6	Grounding terminal:	Screws: A2; Spring washer: A4; Clamp: 1.4301; Holder: 1.4310	
7	Screw	A2-70	
8	Retaining ring for tag	VA	
	Rope	VA	
	Crimp sleeve	Aluminium	

Material
(in contact with process)



L00-FMR230xx-16-00-00-en-003

Pos.	Part	Material	
1	Horn antenna	316L (1.4404)	Hastelloy
	Screw	A4	Hastelloy
	Spring washer	A4	
2	Flange	316L (1.4404/1.4435)	
3	Antenna extension	316L (1.4435)	Hastelloy
	Screws	A4	Hastelloy
	Spring washer	A4	
4	Process connection (e.g. Tri-Clamp)	316L (1.4435)	
	Coupling		
5	Process separation	316L (1.4404)	
6	Housing adapter	304 (1.4301)	
7	Flange	316L (1.4404) optional Hastelloy plated	
	Coupling	316L (1.4435)	Hastelloy
8	Temperature reduction	304 (1.4301)	

10.1.8 Certificates and approvals

CE approval	The measuring system meets the legal requirements of the EC-guidelines. Endress+Hauser confirms the instrument passing the required tests by attaching the CE-mark.
RF approvals	R&TTE, FCC
Overspill protection	German WHG, see ZE00244F/00/DE. SIL 2, for 4 to 20 mA output signal (see SD00150F/00/EN "Functional Safety Manual").
External standards and guidelines	<p>EN60529 Protection class of housing (IP-code).</p> <p>EN61010 Safety regulations for electrical devices for measurement, control, regulation and laboratory use.</p> <p>EN61326-X EMC product family standard for electrical equipment for measurement, control and laboratory use.</p> <p>NAMUR User association for automation technology in process industrie.</p>
Marine certificate	GL (German Lloyd), ABS, NK – HART – not HT antenna

Ex approval

Correlation of safety instructions (XA, XC) and certificates (ZD, ZE) to the instrument:

Feature	Variant	ZE00244F	ZD00130F	ZD00131F	ZD00132F	ZD00128F	ZD00127F	ZD00126F	ZD00082F	ZD00080F	ZD00059F	ZD00058F	ZD00057F	ZD00056F	ZD00055F	ZD00054F	ZD00053F	ZD00052F	ZD00051F	ZD00050F	ZD00049F	ZD00048F	ZD00047F	ZD00046F	ZD00045F	ZD00044F	ZD00043F	ZD00042F	ZD00041F	ZD00040F	ZD00039F	
10 Approval:	Non-hazardous area	A																														
	Non-hazardous area, WHG ¹⁾	F	X																													
	ATEX II 3G Ex nA II T6	G																														
	ATEX II 1/2G Ex ia IIC T6, ATEX II 3D	H																														
	NEPSI Ex ia IIC T6	I																														
	NEPSI Ex d(ia)ia IIC T6	J																														
	TIIS Ex d (ia) IIC T4	L																														
	TIIS Ex d (ia) IIC T1	M																														
	CSA General Purpose	N																														
	NEPSI Ex nAL IIC T6	R																														
	FM IS Cl.I Div.1 Gr.A-D, zone 0, 1, 2	S				X	X	X	X	X																						
	FM XP Cl.I Div.1 Gr.A-D, zone 1, 2	T																														
	CSA IS Cl.I Div.1 Gr.A-D, zone 0, 1, 2	U	X	X	X	X					X	X																				
	CSA XP Cl.I Div.1 Gr.A-D, zone 1, 2	V																														
	Special version	Y																														
	ATEX II 1/2G Ex ia IIC T6, IECEx zone 0/1	1																														
	ATEX II 1/2G Ex ia IIC T6, XA, IECEx zone 0/1 ²⁾	2																														
	ATEX II 1/2G Ex em (ia) IIC T6	3																														
	ATEX II 1/2G Ex d (ia) IIC T6, IECEx zone 0/1	4																														
	ATEX II 1/2G Ex ia IIC T6, WHG, IECEx zone 0/1	6	X																													
ATEX II 1/2G Ex ia IIC T6, WHG, XA, IECEx Zone 0/1 ²⁾	7	X																														
ATEX II 1/2G Ex em (ia) IIC T6, WHG	8	X																														
50 Output; Operation:	4-20mA SIL HART, 4-line display VU331 ³⁾	A	X		X	X	X	X	X	X	X	X	X	X	X	X	X	X	X	X	X	X	X	X	X	X	X	X	X	X	X	
	4-20mA SIL HART, w/o display ⁴⁾	B	X		X	X	X	X	X	X	X	X	X	X	X	X	X	X	X	X	X	X	X	X	X	X	X	X	X	X	X	
	PROFIBUS PA, 4-line display VU331 ³⁾	C	X	X	X	X	X	X	X	X	X	X	X	X	X	X	X	X	X	X	X	X	X	X	X	X	X	X	X	X	X	
	PROFIBUS PA, w/o display ⁴⁾	D	X	X	X	X	X	X	X	X	X	X	X	X	X	X	X	X	X	X	X	X	X	X	X	X	X	X	X	X	X	
	FOUNDATION Fieldbus, 4-line display ³⁾	E	X	X	X	X	X	X	X	X	X	X	X	X	X	X	X	X	X	X	X	X	X	X	X	X	X	X	X	X	X	
	FOUNDATION Fieldbus, w/o display ⁴⁾	F	X	X	X	X	X	X	X	X	X	X	X	X	X	X	X	X	X	X	X	X	X	X	X	X	X	X	X	X	X	
	4-20mA SIL HART, prepared for FHX40	K	X			X					X	X	X	X	X	X	X	X	X	X	X	X	X	X	X	X	X	X	X	X	X	
	PROFIBUS PA, prepared for FHX40	L	X	X	X	X	X	X	X	X	X	X	X	X	X	X	X	X	X	X	X	X	X	X	X	X	X	X	X	X	X	
	FOUNDATION Fieldbus, prepared for FHX40	M	X			X					X	X	X	X	X	X	X	X	X	X	X	X	X	X	X	X	X	X	X	X	X	
	Special version	Y																														
60 Housing:	F12 Alu, coated IP65 NEMA4x	A							X	X	X	X	X	X	X	X	X	X	X	X	X	X	X	X	X	X	X	X	X	X		
	F23 316L IP65 NEMA4X	B	X	X	X	X	X																									
	T12 Alu, coated IP65 NEMA4X ⁵⁾	C								X	X																					
	T12 Alu, coated IP65 NEMA4X + OVP ^{5,6)}	D	X	X	X	X	X																									
	Special version	Y																														

- 1) German WHG only in combination with certificate ZE00244F/00/DE.
- 2) Note safety instructions (XA) (electrostatic charging)!
- 3) Envelope curve display on site.
- 4) Via communication
- 5) Separate conn. compartment.
- 6) OVP = overvoltage protection.

10.1.9 Supplementary Documentation

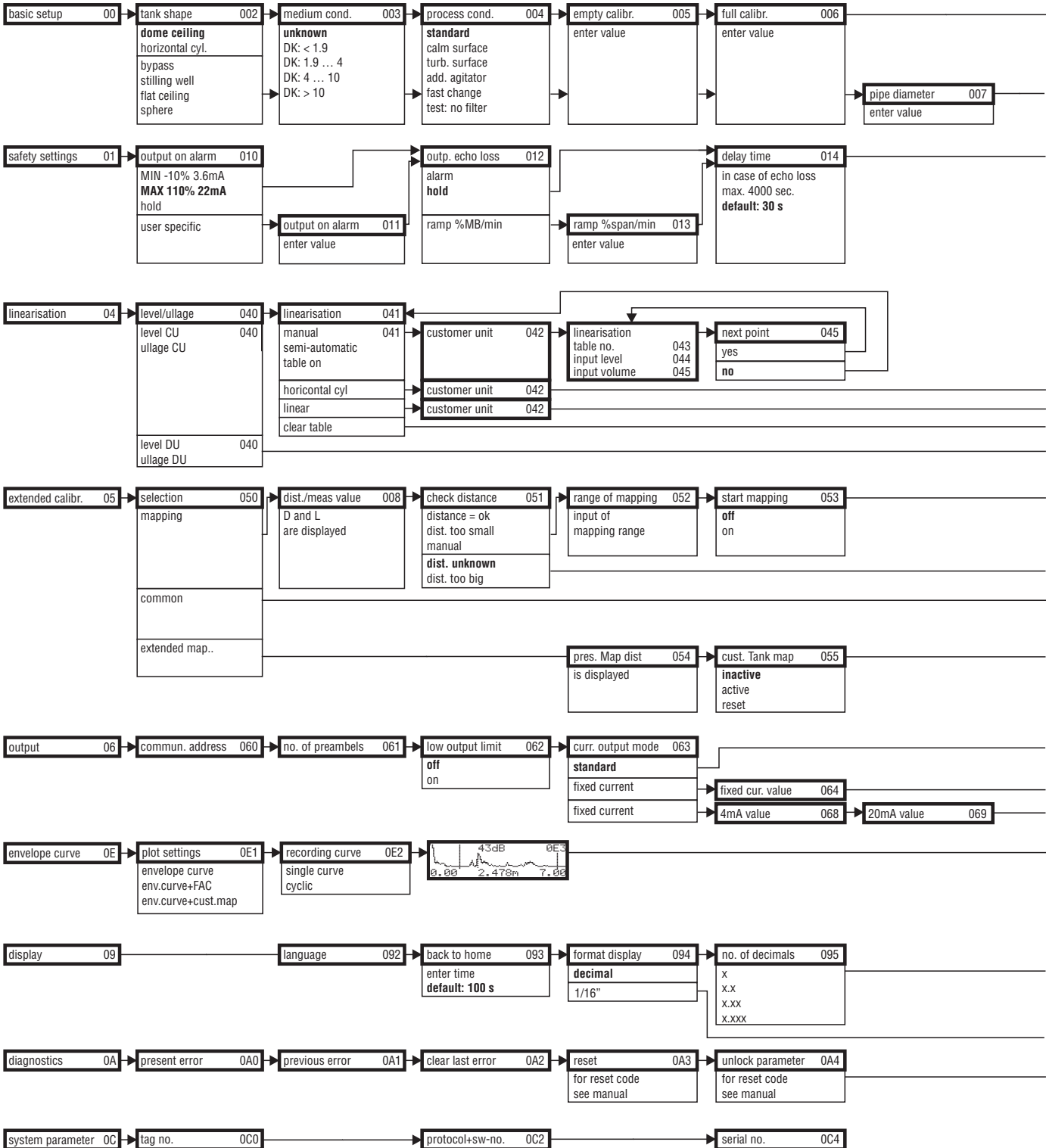
Supplementary Documentation

This supplementary documentation can be found on our product pages on www.endress.com.

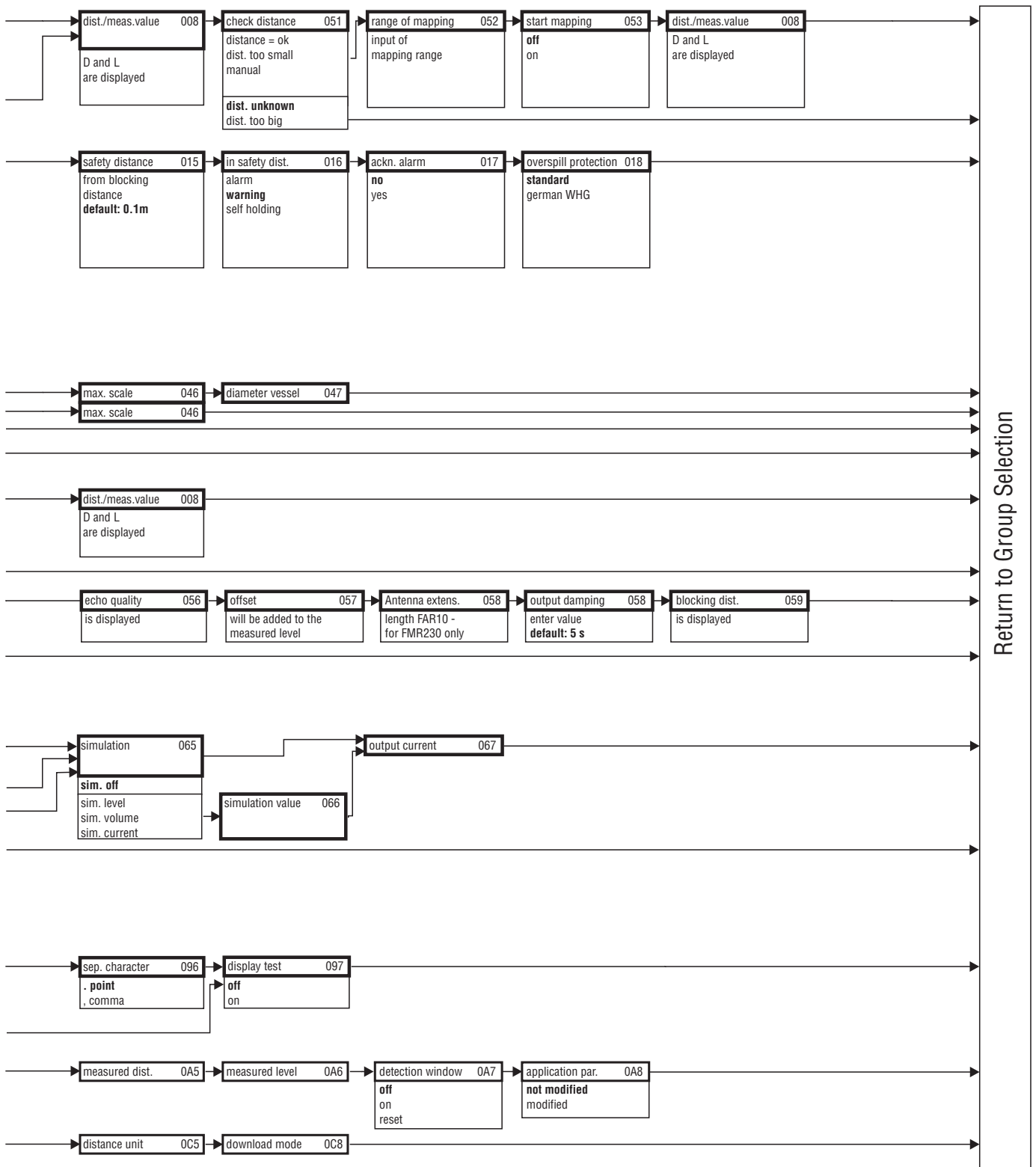
- Technical Information (TI00345F/00/EN)
- Operating Instructions "Description of instrument functions" (BA00221F/00/EN)
- Safety Manual "Functional Safety Manual" (SD00150F/00/EN)
- Certificate "German WHG" (ZE00244F/00/DE)
- Brief operating instructions (KA01000F/00/EN)

11 Appendix

11.1 Operating menu HART (display modul)



Note! The default values of the parameters are typed in boldface.



11.2 Patents

This product may be protected by at least one of the following patents.
Further patents are pending.

- US 5,387,918 \cong EP 0 535 196
- US 5,689,265 \cong EP 0 626 063
- US 5,659,321
- US 5,614,911 \cong EP 0 670 048
- US 5,594,449 \cong EP 0 676 037
- US 6,047,598
- US 5,880,698
- US 5,926,152
- US 5,969,666
- US 5,948,979
- US 6,054,946
- US 6,087,978
- US 6,014,100

Index

A

accessories 63
 alarm 41
 antenna size 12
 application errors 69

B

basic setup 46, 48, 58
 beam angle 15
 bypass 24, 52

C

CE mark 9
 commissioning 45
 Commubox 31, 63
 connecting 29
 connection 31–32

D

declaration of conformity 9
 declaration of contamination 74
 degree of protection 32
 designated use 4
 dielectric constant 17, 49
 dimensions 12
 display 36
 disposal 74
 distance 46, 52–53

E

echo mapping 54
 echo quality 71–72
 empty calibration 46, 51, 59
 engineering hints 14
 envelope curve 55, 60
 equipotential bonding 32
 error messages 41
 Ex approval 83
 exterior cleaning 62

F

F12 housing 27, 29
 F23 housing 27
 FHX40 65
 Field Communicator 375, 475 31, 42
 full calibration 46, 51, 59
 function groups 34
 functions 34
 FXA191 31

H

HART 29, 31, 42

I

installation in bypass 24
 installation in stilling well 10, 22
 installation in tank 10, 18

interference echo 71
 interference echoes 53

K

key assignment 37

L

level 46
 lock 38–39

M

maintenance 62
 mapping 53–54, 60
 maximum measured error 76
 measurement in a plastic tank 15
 measuring conditions 16
 medium property 49, 59
 mounting 10

N

nameplate 6
 notes on safety conventions and symbols 5
 nozzle 19

O

operatin menu 86
 operating menu 34
 operation 33, 38
 operation menu 33
 operational safety 4
 optimisation 71
 ordering structure 7
 orientation 10, 71

P

pipe diameter 52
 process conditions 50
 product class 17

R

repairs 62
 repairs to Ex-approved devices 62
 replacement 62
 replacing seals 62
 Reset 40
 return 74
 RF approvals 82
 RMA422 31
 RN221N 31

S

safety distance 46
 safety instructions 4
 Service Interface FXA291 63
 service interface FXA291 63
 software history 74
 Spare Parts 73

stilling well 22, 52
stilling wells 23
system error messages 67

T

T12 housing 28–29
tank installations 14
tank shape 48
technical data 75
terminal compartment 29
trouble-shooting 66
trouble-shooting instructions 66
turn housing 10, 26

U

unlock parameter 38–39

V

vessel / silo 59

W

warning 41
weather protection cover 63
wiring 27

Declaration of Hazardous Material and De-Contamination *Erklärung zur Kontamination und Reinigung*

RA No.

Please reference the Return Authorization Number (RA#), obtained from Endress+Hauser, on all paperwork and mark the RA# clearly on the outside of the box. If this procedure is not followed, it may result in the refusal of the package at our facility.
Bitte geben Sie die von E+H mitgeteilte Rücklieferungsnummer (RA#) auf allen Lieferpapieren an und vermerken Sie diese auch außen auf der Verpackung. Nichtbeachtung dieser Anweisung führt zur Ablehnung ihrer Lieferung.

Because of legal regulations and for the safety of our employees and operating equipment, we need the "Declaration of Hazardous Material and De-Contamination", with your signature, before your order can be handled. Please make absolutely sure to attach it to the outside of the packaging.

Aufgrund der gesetzlichen Vorschriften und zum Schutz unserer Mitarbeiter und Betriebseinrichtungen, benötigen wir die unterschriebene "Erklärung zur Kontamination und Reinigung", bevor Ihr Auftrag bearbeitet werden kann. Bringen Sie diese unbedingt außen an der Verpackung an.

Type of instrument / sensor

Geräte-/Sensortyp _____

Serial number

Seriennummer _____

Used as SIL device in a Safety Instrumented System / Einsatz als SIL Gerät in Schutzeinrichtungen

Process data / Prozessdaten

Temperature / Temperatur _____ [°F] _____ [°C] Pressure / Druck _____ [psi] _____ [Pa]

Conductivity / Leitfähigkeit _____ [µS/cm] Viscosity / Viskosität _____ [cp] _____ [mm²/s]

Medium and warnings

Warnhinweise zum Medium



	Medium / concentration <i>Medium / Konzentration</i>	Identification CAS No.	flammable <i>entzündlich</i>	toxic <i>giftig</i>	corrosive <i>ätzend</i>	harmful/ irritant <i>gesundheitsschädlich/ reizend</i>	other * <i>sonstiges*</i>	harmless <i>unbedenklich</i>
Process medium <i>Medium im Prozess</i>								
Medium for process cleaning <i>Medium zur Prozessreinigung</i>								
Returned part cleaned with <i>Medium zur Endreinigung</i>								

* explosive; oxidising; dangerous for the environment; biological risk; radioactive

* *explosiv; brandfördernd; umweltgefährlich; biogegefährlich; radioaktiv*

Please tick should one of the above be applicable, include safety data sheet and, if necessary, special handling instructions.

Zutreffendes ankreuzen; trifft einer der Warnhinweise zu, Sicherheitsdatenblatt und ggf. spezielle Handhabungsvorschriften beilegen.

Description of failure / Fehlerbeschreibung _____

Company data / Angaben zum Absender

Company / Firma _____	Phone number of contact person / Telefon-Nr. Ansprechpartner: _____
Address / Adresse _____	Fax / E-Mail _____
	Your order No. / Ihre Auftragsnr. _____

"We hereby certify that this declaration is filled out truthfully and completely to the best of our knowledge. We further certify that the returned parts have been carefully cleaned. To the best of our knowledge they are free of any residues in dangerous quantities."

"Wir bestätigen, die vorliegende Erklärung nach unserem besten Wissen wahrheitsgetreu und vollständig ausgefüllt zu haben. Wir bestätigen weiter, dass die zurückgesandten Teile sorgfältig gereinigt wurden und nach unserem besten Wissen frei von Rückständen in gefährlicher Menge sind."

(place, date / Ort, Datum)

Name, dept./Abt. (please print / bitte Druckschrift)

Signature / Unterschrift

www.endress.com/worldwide

Endress + Hauser 
People for Process Automation

