



Level



Pressure



Flow



Temperature



Liquid
Analysis



Registration



Systems
Components



Services



Solutions

Technical Information

Turbimax CUS71D

Ultrasonic interface sensor

Immersion sensor for interface measurement



Application

In many instances in process engineering, suspensions are separated into their solid and liquid components by sedimentation. To operate this process economically and efficiently in practice, it is indispensable to monitor the separation and transition zones of the clarification and settling phases continuously.

Turbimax CUS71D is a sensor for many applications of the interface measurement

- Wastewater treatment: primary clarifier, sludge thickener, secondary clarifier
- Water purification: settling basin after flocculant dosage, filter media expansion monitoring to optimize backwash operations, sludge height in contact sludge process
- Chemical industry: static separation process

Your benefits

- Two different sensor models allow optimal adaption to the measurement task.
- Simple commissioning thanks to predefined calculation models.
- Intelligent sensor - all characteristics and calibration values are stored in the sensor.

Function and system design

Measuring principle

A piezoelectric crystal is integrated in a flat cylindrical plastic housing. When the crystal is excited by an electrical voltage, it generates a sonar signal. The ultrasonic waves are transmitted at a frequency of 657 kHz at an angle of 6° to scan the separation zones.

The parameter measured is the time it takes for the transmitted ultrasonic signal to reach the solid particles in the separation zone and return to the receiver.

A sensor version with wiper avoids film formation at the sensor membrane.

Function

The speed of the sound varies according to the physical properties of the measuring medium and is affected by temperature and air pressure. The liquid zones and solids content of the medium also vary.

To obtain precise measurement results, it is therefore vital to adapt system variables to the process, e. g. pulselength and the speed of the sound.

The CM44x offers the following possibilities for signal evaluation:

- Mask out regions where the separation zone is not expected.
- Evaluate received signal strengths differently.
- Select leading or trailing signal edges in the evaluation.
- Amplify sensor signals at different rates, e. g. for floating sludge.
- Define a region (gate) above and below the separation zone. Signal evaluation only takes place in the defined region. The gate wanders with the separation zone. This makes smoothing algorithms unnecessary.

Sensor monitoring

The optical signals are continuously monitored und checked for plausibility. Discrepancies are reported via error messages by the transmitter.

The sensor check system of the Liquiline CM44x reports the following failure conditions:

- Implausible high or low measuring values
- Disturbed controlling due to erroneous measuring values

Sensor connection

- Liquiline CM442 transmitter:

You can connect only one ultrasonic interface sensor. In this case, the 2nd channel cannot be used to connect any other sensor.

- Liquiline CM444 and CM448 transmitters:

If you connect one or more ultrasonic interface sensors, you can connect a maximum of four sensors (no matter which type of sensor, ultrasonic or others).

Transmitter	Sensor CUS71D	Other sensors
CM442 (max. 2 channels)	1	0
CM444 (max. 4 channels)	any combination (max. 4 sensors)	
CM448 (max. 8 channels)	any combination (max. 4 sensors)	

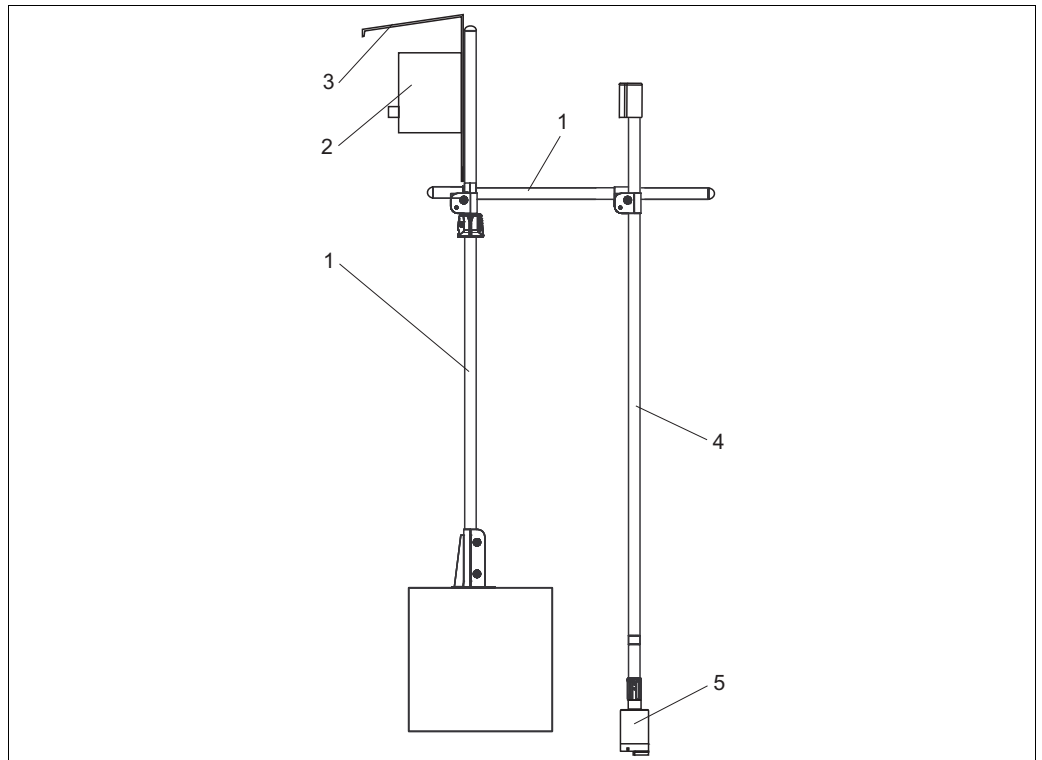
Measuring system

A complete measuring system comprises:

- Ultrasonic sensor Turbimax CUS71D
- Multi-channel transmitter Liquiline CM44x

and optional:

- Weather protection roof CYY101
- Holder system Flexdip CYH112
- Fixed or rotatable immersion pipe Flexdip CYA112

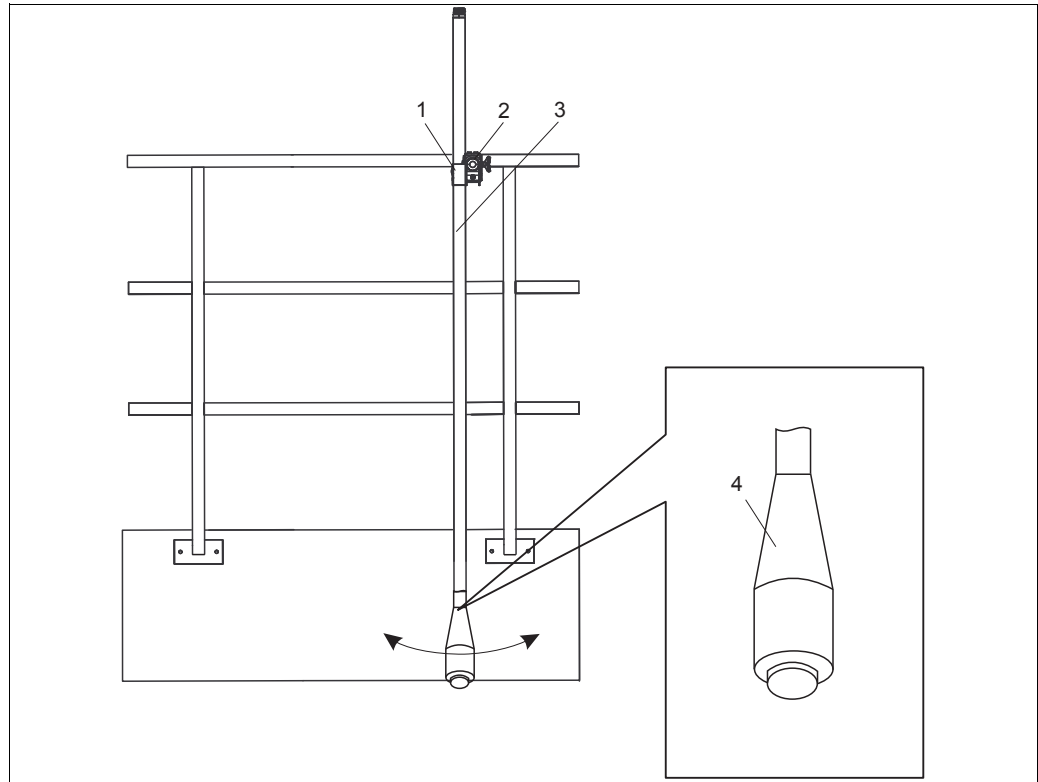


Ultrasonic sensor with holder system and multi-channel transmitter

0014923

- | | |
|---|---|
| <p>1 Holder system Flexdip CYH112</p> <p>2 Multi-channel transmitter Liquiline CM44x</p> <p>3 Weather protection roof</p> | <p>4 Assembly Flexdip CYA112</p> <p>5 Ultrasonic sensor Turbimax CUS71D</p> |
|---|---|

Measuring system with pendulum adapter



Measuring system with pendulum adapter

a0015156

- | | | | |
|---|--|---|-------------------------------------|
| 1 | Cross clamp of holder system Flexdip CYH112 | 3 | Assembly Flexdip CYA112 with CUS71D |
| 2 | Pendulum adapter of holder system Flexdip CYH112 | 4 | PVC sensor protector |

The PVC sensor protector protects the ultrasonic sensor from getting damaged by the surface skimmer.

Input

Measuring variables

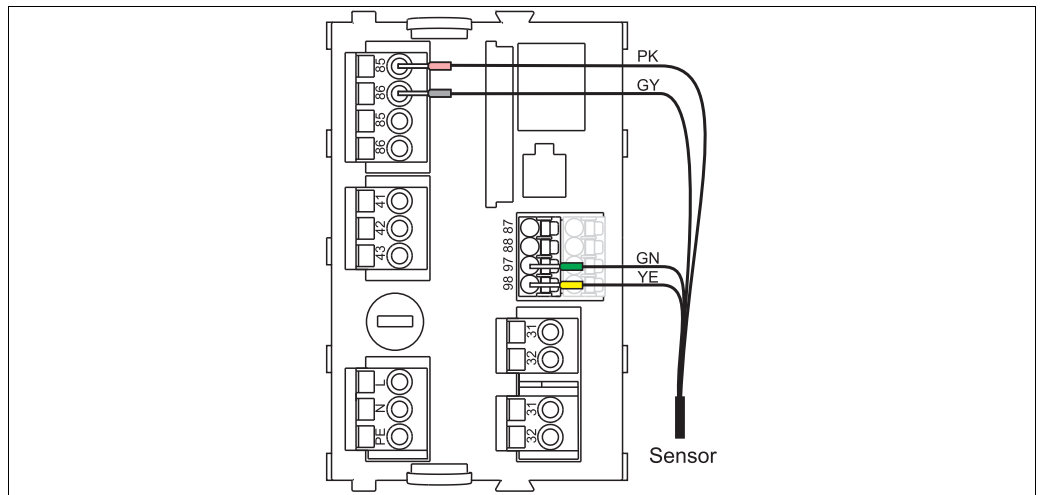
Standard sensor	Interface
Sensor with wiper	Interface

Measuring range

Standard sensor	0.3 to 10.0 m (1.0 to 32 ft)
Sensor with wiper	0.3 to 10.0 m (1.0 to 32 ft)

Power supply

The sensor is connected to the transmitter as follows:



Sensor connection

a0012440

The maximum cable length is 100 m (328 ft).

To extend the sensor cable, the following accessories are recommended:

- Measuring cable CYK11 with ferrules and
- Junction box "cable / cable"

You can connect only 1 sensor to the transmitter Liquiline CM442.

You can connect up to 4 sensors to the transmitters Liquiline CM444 and CM448.

Performance characteristics

Maximum measured error 35 mm at 3.0 m

Measured value resolution 3 mm at 3.0 m

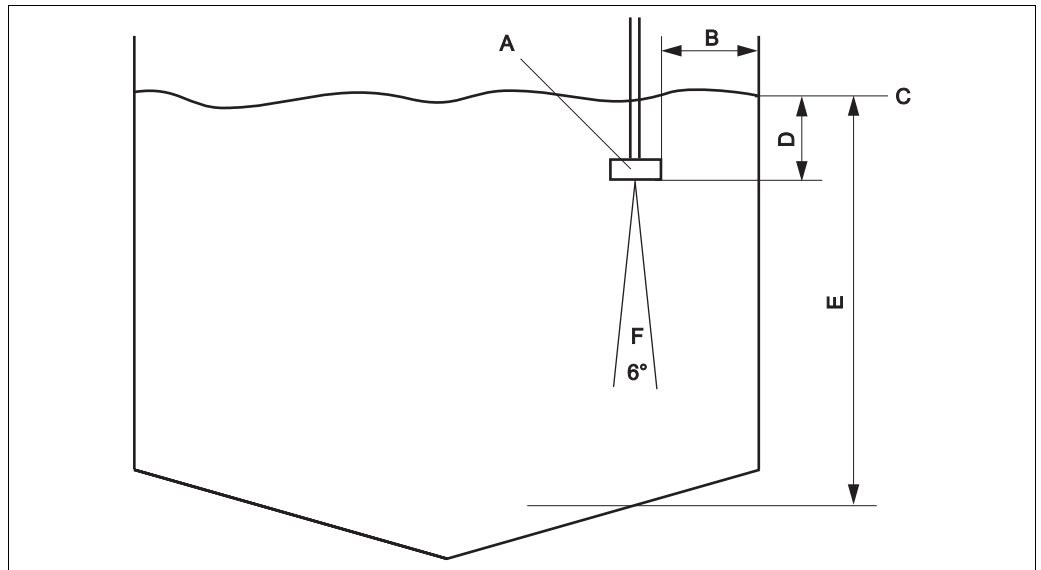
Measurement interval Adjustable

Calibration The sensor is factory calibrated delivered.
The "speed of sound" is adjustable and preprogrammed for the application "water".

Installation conditions

Installation instructions

Basin configuration



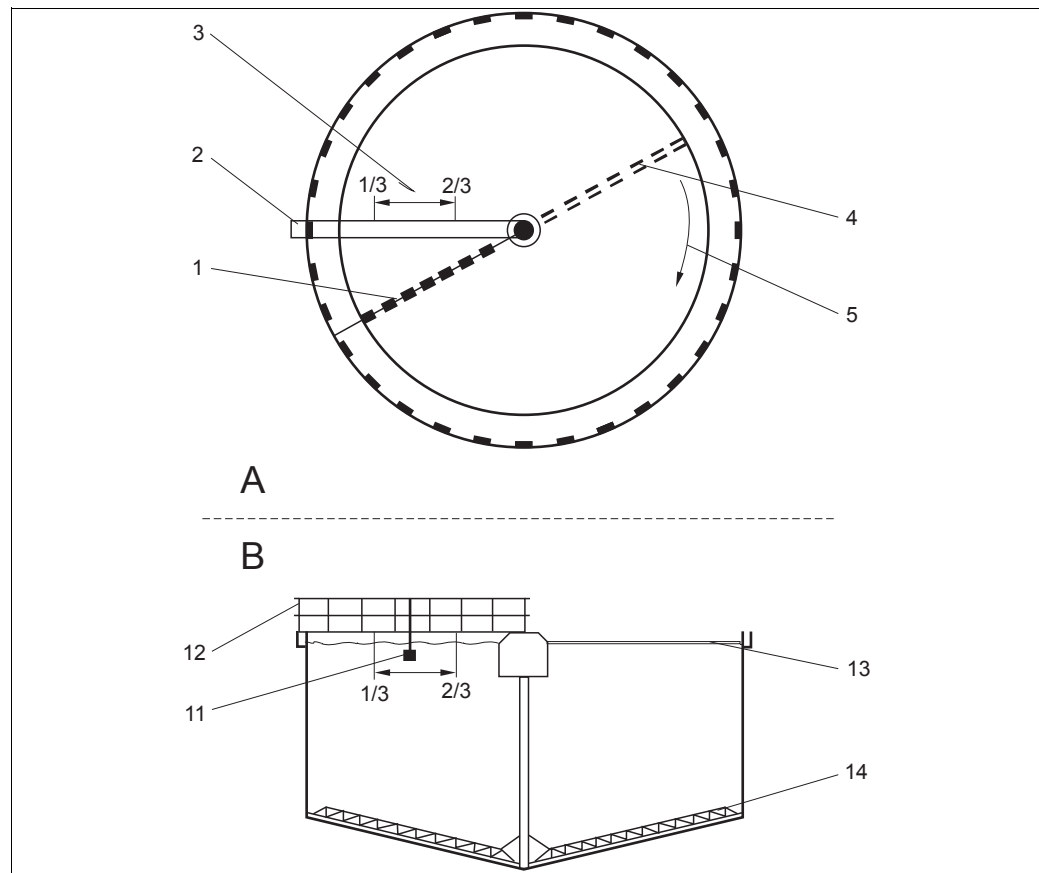
Basin configuration

- A Sensor
 B Minimum distance of sensor to basin wall = 45 cm (1.48 ft.)
 C Reference point e.g. water surface
 D Zero point
 E Basin depth
 F Opening angle of ultrasonic cone, 6°

Installation instructions

Look at the construction drawing of the basin for a suitable position for the sensor. In doing so, you must take the following factors into account:

- The minimum distance between the basin wall and the sensor is 45 cm (1.48 ft.) (sensor emits ultrasound in conical form).
- There should not be any basin wall protrusions or piping in the measuring range below the sensor. Scrapers that are only temporarily in this area are permitted.
- Do not install the sensor in zones in which air bubbles, turbulence, high levels of turbid material or suspended matter or foam formation occur (e.g. inlet).
- Using an immersion tube, install the sensor 20 cm (0.66 ft.) beneath the surface of the water.
- The transmitter may not be installed in a second enclosure (heat accumulation).
- If possible, do not install the transmitter near high voltage sources. In addition, also avoid sources of magnetic fields, e.g. large transformers or frequency converters.
- The system can only detect a separation zone if there is a clear transition between the zones. Unclear transition from the liquid to the solid phase cannot be detected.

Circular Clarifier*Basin configuration in circular clarifier*

40015232

A	View from top	B	Cross section
1	Surface skimmer	11	Sensor
2	Walk way	12	Hand rail
3	Sensor mounting	13	Surface skimmer
4	Bottom rake	14	Bottom rake
5	Rake direction		

Environment

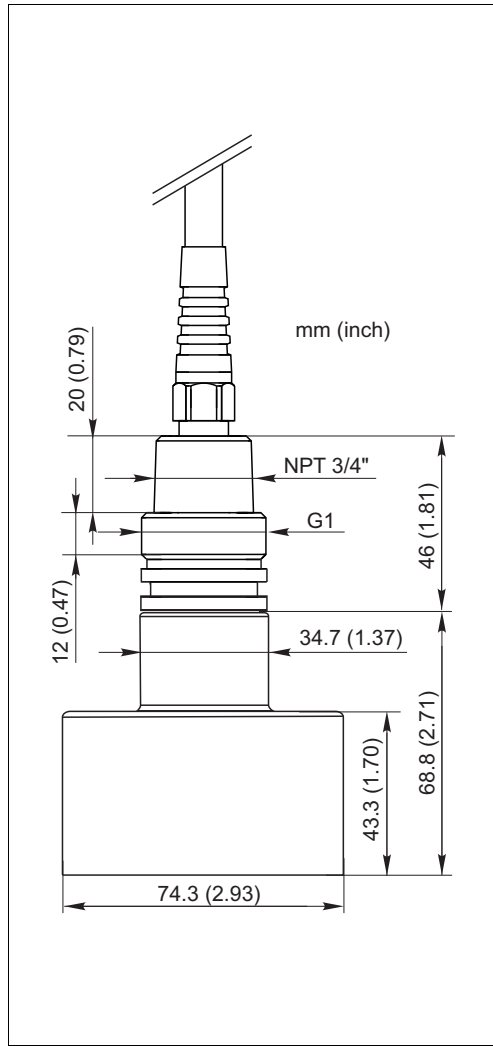
Storage temperature	-20 to 50 °C (-4 to 122 °F)
Ingress protection	IP 68 (test conditions: 1 m (3.3 ft) water column during 60 days, 1 mol/l KCl)

Process

Process temperature	1 to 50 °C (34 to 122 °F)
Process pressure	0.0 to 6 bar (0 to 87 psi) absolute

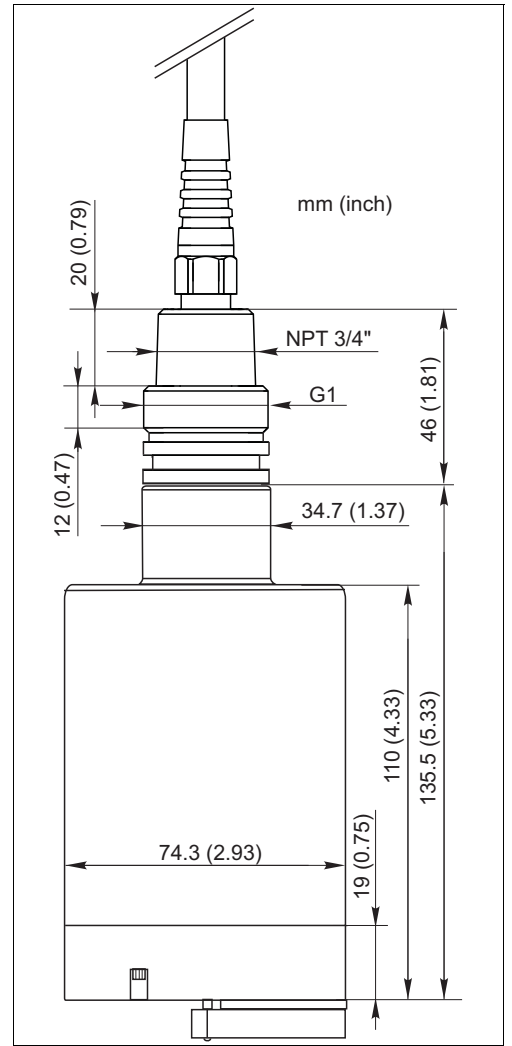
Mechanical construction

Dimensions



Dimensions of standard sensor

a0014922



Dimensions of sensor with wiper

a0014921

Weight

Standard sensor	1.02 kg (2.25 lb)
Sensor with wiper	1.25 kg (2.75 lb)

Materials

Sensor	ABS and epoxy plastic
Wiper	Rubber

Process connections

G1 and NPT 3/4"

Certificates and approvals

EMC compatability

Interference emission and interference immunity complies with EN 61326: 2005, Namur NE 21:2007

Ordering information

Selection

Standard sensor	Sensor with wiper
Clear water sedimentation tanks, secondary clarifier with surface skimmer, Primary clarifier with surface skimmer, secondary clarifier with less floating sludge	Primary clarifier, secondary clarifier, sludge tanks, flotation tanks

Order code


To get to the product page enter the following address into your browser:
www.products.endress.com/cus71d

1. You can choose from the following options on the product page located on the right:

Product page function
:: Add to product list
:: Price & order information
:: Compare this product
:: Configure this product

2. Click "Configure this product".
3. The configurator opens in a separate window. You can now configure your device and receive the complete order code that applies for the device.
4. Afterwards, export the order code as a PDF or Excel file. To do so, click the appropriate button at the top of the page.

Product structure

 The following product structure is effective on the date of print only. You can create an up-to-date and complete order code with the help of the configurator on the internet product page.

Approval			
	AA	Non-harzdous area	
Version			
	1	Standard sensor	
	2	Sensor with wiper	
Cable length			
	A	15 m (49.2 ft), wire terminals	
CUS71D-			Order code

Scope of delivery

The scope of delivery comprises:

- 1 sensor Turbimax CUS71D in the ordered version
- 1 Operating Instructions BA00490C/07/EN

Accessories

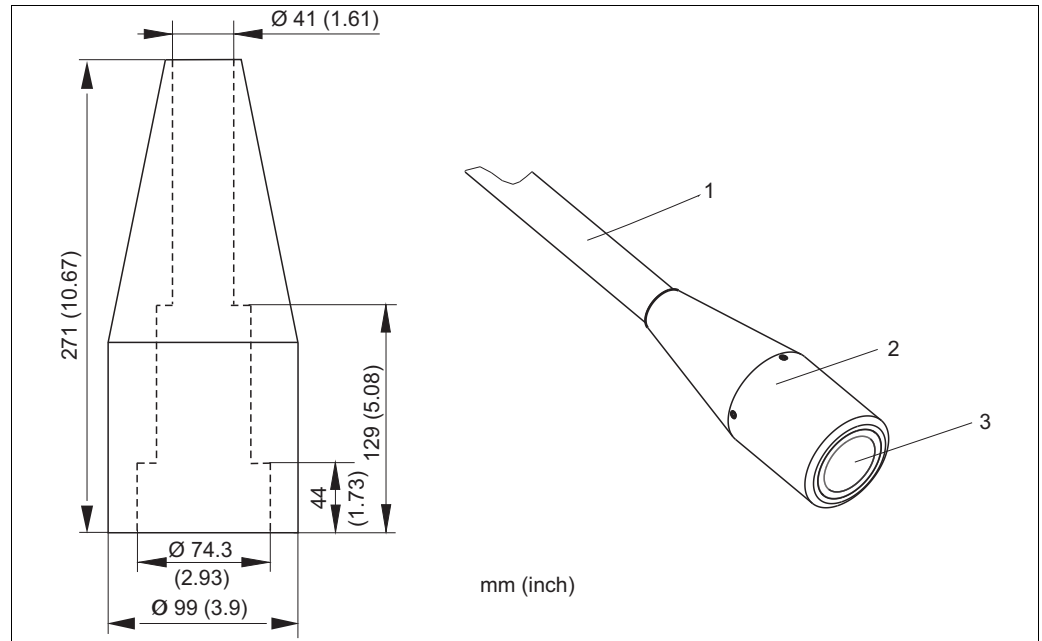
Assemblies

Wastewater assembly Flexdip CYA112

- Modular assembly system for sensors in open basins, channels and tanks
- Versions in stainless steel or PVC
- Ordering per product structure (→ Online configurator: www.products.endress.com/cya112)
- Technical Information TI00432C/07/EN

PVC protector for flexible mounting of CUS71D

- The PVC protector protects the ultrasonic sensor from getting damaged by the surface skimmer.
- Order number: 71178584



PVC protector for CUS71D

- 1 Assembly CYA112
 2 PVC-protector
 3 Ultrasonic sensor CUS71D

Holder system

Holder system Flexdip CYH112 for water

- Modular holder system for sensors and assemblies in open basins, channels and tanks
- The holder system CYH112 works for nearly any type of fixing - fixing on the floor, wall or directly on a rail.
- Material: stainless steel
- Ordering acc. to product structure (→ Online configurator: www.products.endress.com/cyh112)
- Technical Information TI00430C/07/EN

Transmitter

Liquiline CM44x

- Multiple-channel transmitter for the connection of digital sensors with Memosens technology
- Power supply: 85 to 265 V AC, 18 to 36 V DC or 20 to 28 V AC (not CM448)
- Universally upgradeable
- SD card slot
- Alarm relay
- IP 66
- Ordering acc. to product structure (Technical Information TI444C/07/en)

Cable extension

CYK11 Memosens data cable

- Extension cable for digital sensors with Memosens protocol
- Ordering as per product structure (→ Online configurator, www.products.endress.com/cyk11)

Junction box cable/cable

- Material: aluminum, painted
- Cable extension: Memosens sensors, Liquiline
- Order no. 71145499

Instruments International

Endress+Hauser
Instruments International AG
Kaegenstrasse 2
4153 Reinach
Switzerland

Tel.+41 61 715 81 00
Fax+41 61 715 25 00
www.endress.com
info@ii.endress.com

Endress+Hauser 
People for Process Automation