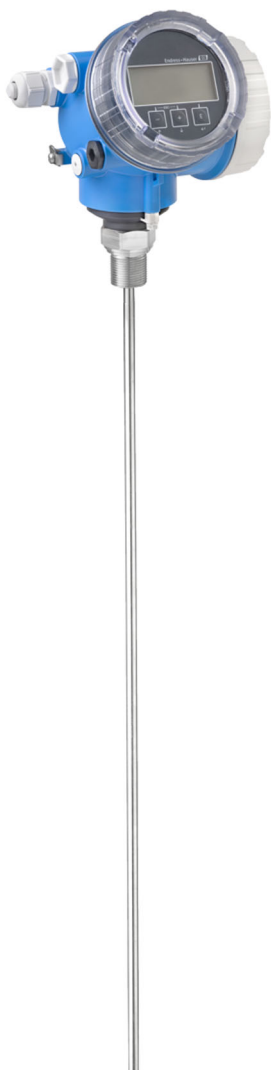


# Technical Information

## Levelflex FMP50

Guided wave radar

### Level measurement in liquids



#### Application

- Rod or rope probe
- Process connection: 3/4" thread or adapter flange
- Process temperature: -20 to +80 °C (-4 to +176 °F)
- Process pressure: -1 to +6 bar (-14.5 to +87 psi)
- Maximum measuring range: Rod 4 m (13 ft); rope 12 m (39 ft)
- Accuracy: ±2 mm (±0.08 in)
- International explosion protection certificates; WHG; EN10204-3.1
- Linearity protocol (3-point, 5-point)

#### Your benefits

- Reliable measurement even for changing product and process conditions
- HistoROM data management for easy commissioning, maintenance and diagnostics
- Highest reliability due to Multi-Echo Tracking
- Hardware and software developed according to IEC 61508 (up to SIL3)
- Seamless integration into control or asset management systems
- Intuitive user interface in national languages
- *Bluetooth*® wireless technology for commissioning, operation and maintenance via free iOS / Android app SmartBlue
- Easy proof test for SIL and WHG
- Heartbeat Technology™

## Table of contents





<b>Important document information</b> . . . . .	<b>4</b>	<b>Process</b> . . . . .	<b>57</b>
Symbols . . . . .	4	Process temperature range . . . . .	57
Terms and abbreviations . . . . .	6	Process pressure range . . . . .	57
Registered trademarks . . . . .	7	Dielectric constant (DC) . . . . .	57
		Expansion of the rope probes through temperature . . . . .	57
<b>Function and system design</b> . . . . .	<b>8</b>	<b>Mechanical construction</b> . . . . .	<b>58</b>
Measuring principle . . . . .	8	Dimensions . . . . .	58
Measuring system . . . . .	11	Tolerance of probe length . . . . .	61
		Shortening probes . . . . .	61
<b>Input</b> . . . . .	<b>12</b>	Weight . . . . .	62
Measured variable . . . . .	12	Materials: GT19 housing (plastic) . . . . .	63
Measuring range . . . . .	12	Materials: GT20 housing (die-cast aluminum, powder-coated) . . . . .	64
Blocking distance . . . . .	13	Materials: Process connection . . . . .	66
Measuring frequency spectrum . . . . .	13	Materials: Probe . . . . .	67
		Materials: Mounting bracket . . . . .	68
<b>Output</b> . . . . .	<b>14</b>	Materials: Adapter and cable for remote sensor . . . . .	69
Output signal . . . . .	14	Materials: Weather protection cover . . . . .	70
Signal on alarm . . . . .	15		
Linearization . . . . .	15	<b>Operability</b> . . . . .	<b>71</b>
Galvanic isolation . . . . .	15	Operating concept . . . . .	71
Protocol-specific data . . . . .	16	Local operation . . . . .	72
		Operation with remote display and operating module	
<b>Power supply</b> . . . . .	<b>21</b>	FHX50 . . . . .	72
Terminal assignment . . . . .	21	Operation via Bluetooth® wireless technology . . . . .	73
Device plug connectors . . . . .	29	Remote operation . . . . .	74
Power supply . . . . .	30	Integration in tank gauging system . . . . .	77
Power consumption . . . . .	33	SupplyCare inventory management software . . . . .	78
Current consumption . . . . .	33		
Power supply failure . . . . .	34	<b>Certificates and approvals</b> . . . . .	<b>81</b>
Potential equalization . . . . .	34	CE mark . . . . .	81
Terminals . . . . .	34	RoHS . . . . .	81
Cable entries . . . . .	34	RCM-Tick marking . . . . .	81
Cable specification . . . . .	34	Ex approval . . . . .	81
Overvoltage protection . . . . .	35	Dual seal according to ANSI/ISA 12.27.01 . . . . .	81
		Functional Safety . . . . .	81
<b>Performance characteristics</b> . . . . .	<b>36</b>	Overfill prevention . . . . .	81
Reference operating conditions . . . . .	36	Pressure equipment with allowable pressure	
Reference accuracy . . . . .	36	≤ 200 bar (2 900 psi) . . . . .	81
Resolution . . . . .	37	Telecommunications . . . . .	81
Reaction time . . . . .	38	Test, Certificate . . . . .	82
Influence of ambient temperature . . . . .	38	Product documentation on paper . . . . .	82
		Other standards and guidelines . . . . .	83
<b>Mounting</b> . . . . .	<b>39</b>		
Mounting requirements . . . . .	39	<b>Ordering information</b> . . . . .	<b>84</b>
		Ordering information . . . . .	84
<b>Operating conditions: Environment</b> . . . . .	<b>54</b>	3-point linearity protocol . . . . .	85
Ambient temperature range . . . . .	54	5-point linearity protocol . . . . .	86
Ambient temperature limits . . . . .	54	Customized parametrization . . . . .	87
Storage temperature . . . . .	56	Tagging (TAG) . . . . .	87
Climate class . . . . .	56		
Altitude according to IEC61010-1 Ed.3 . . . . .	56	<b>Application Packages</b> . . . . .	<b>88</b>
Degree of protection . . . . .	56	Heartbeat Diagnostics . . . . .	88
Vibration resistance . . . . .	56	Heartbeat Verification . . . . .	89
Cleaning the probe . . . . .	56	Heartbeat Monitoring . . . . .	90
Electromagnetic compatibility (EMC) . . . . .	56		

<b>Accessories</b> . . . . .	<b>91</b>
Device-specific accessories . . . . .	91
Communication-specific accessories . . . . .	98
Service-specific accessories . . . . .	99
System components . . . . .	99
<b>Documentation</b> . . . . .	<b>100</b>
Standard documentation . . . . .	100
Supplementary documentation . . . . .	100
Safety Instructions (XA) . . . . .	101




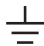

## Important document information

### Symbols









#### Safety symbols

Symbol	Meaning
	<b>DANGER!</b> This symbol alerts you to a dangerous situation. Failure to avoid this situation will result in serious or fatal injury.
	<b>WARNING!</b> This symbol alerts you to a dangerous situation. Failure to avoid this situation can result in serious or fatal injury.
	<b>CAUTION!</b> This symbol alerts you to a dangerous situation. Failure to avoid this situation can result in minor or medium injury.
	<b>NOTE!</b> This symbol contains information on procedures and other facts which do not result in personal injury.

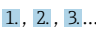


#### Electrical symbols

Symbol	Meaning
	Direct current
	Alternating current
	Direct current and alternating current
	<b>Ground connection</b> A grounded terminal which, as far as the operator is concerned, is grounded via a grounding system.
	<b>Protective Earth (PE)</b> A terminal which must be connected to ground prior to establishing any other connections.  The ground terminals are situated inside and outside the device: <ul style="list-style-type: none"> <li>▪ Inner ground terminal: Connects the protective earth to the mains supply.</li> <li>▪ Outer ground terminal: Connects the device to the plant grounding system.</li> </ul>

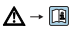

#### Symbols for certain types of information

Symbol	Meaning
	<b>Permitted</b> Procedures, processes or actions that are permitted.
	<b>Preferred</b> Procedures, processes or actions that are preferred.
	<b>Forbidden</b> Procedures, processes or actions that are forbidden.
	<b>Tip</b> Indicates additional information.
	Reference to documentation.
	Reference to page.
	Reference to graphic.
	Visual inspection.

**Symbols in graphics**

Symbol	Meaning
1, 2, 3 ...	Item numbers
	Series of steps
A, B, C, ...	Views
A-A, B-B, C-C, ...	Sections
	<b>Hazardous area</b> Indicates a hazardous area.
	<b>Safe area (non-hazardous area)</b> Indicates the non-hazardous area.

**Symbols at the device**

Symbol	Meaning
	<b>Safety instructions</b> Observe the safety instructions contained in the associated Operating Instructions.
	<b>Temperature resistance of the connection cables</b> Specifies the minimum value of the temperature resistance of the connection cables.

## Terms and abbreviations

Term/abbreviation	Explanation
BA	Document type "Operating Instructions"
KA	Document type "Brief Operating Instructions"
TI	Document type "Technical Information"
SD	Document type "Special Documentation"
XA	Document type "Safety Instructions"
PN	Nominal pressure
MWP	Maximum Working Pressure The MWP can also be found on the nameplate.
ToF	Time of Flight
FieldCare	Scalable software tool for device configuration and integrated plant asset management solutions
DeviceCare	Universal configuration software for Endress+Hauser HART, PROFIBUS, FOUNDATION Fieldbus and Ethernet field devices
DTM	Device Type Manager
DD	Device Description for HART communication protocol
$\epsilon_r$ (DC value)	Relative dielectric constant
Operating tool	The term "operating tool" is used in place of the following operating software: <ul style="list-style-type: none"> <li>▪ FieldCare / DeviceCare, for operation via HART communication and PC</li> <li>▪ SmartBlue (app), for operation using an Android or iOS smartphone or tablet.</li> </ul>
BD	Blocking Distance; no signals are analyzed within the BD.
PLC	Programmable Logic Controller
CDI	Common Data Interface
PFS	Pulse Frequency Status (Switching output)
MBP	Manchester Bus Powered
PDU	Protocol Data Unit

**Registered trademarks**

**HART®**

Registered trademark of the FieldComm Group, Austin, USA

**PROFIBUS®**

Registered trademark of the PROFIBUS User Organization, Karlsruhe, Germany

**FOUNDATION™ Fieldbus**

Registered trademark of the FieldComm Group, Austin, Texas, USA

**Bluetooth®**

The Bluetooth® word mark and logos are registered trademarks owned by the Bluetooth SIG, Inc. and any use of such marks by Endress+Hauser is under license. Other trademarks and trade names are those of their respective owners.

**Apple®**

Apple, the Apple logo, iPhone, and iPod touch are trademarks of Apple Inc., registered in the U.S. and other countries. App Store is a service mark of Apple Inc.

**Android®**

Android, Google Play and the Google Play logo are trademarks of Google Inc.

**KALREZ®, VITON®**

Registered trademark of DuPont Performance Elastomers L.L.C., Wilmington, USA

**TEFLON®**

Registered trademark of E.I. DuPont de Nemours & Co., Wilmington, USA

**TRI CLAMP®**

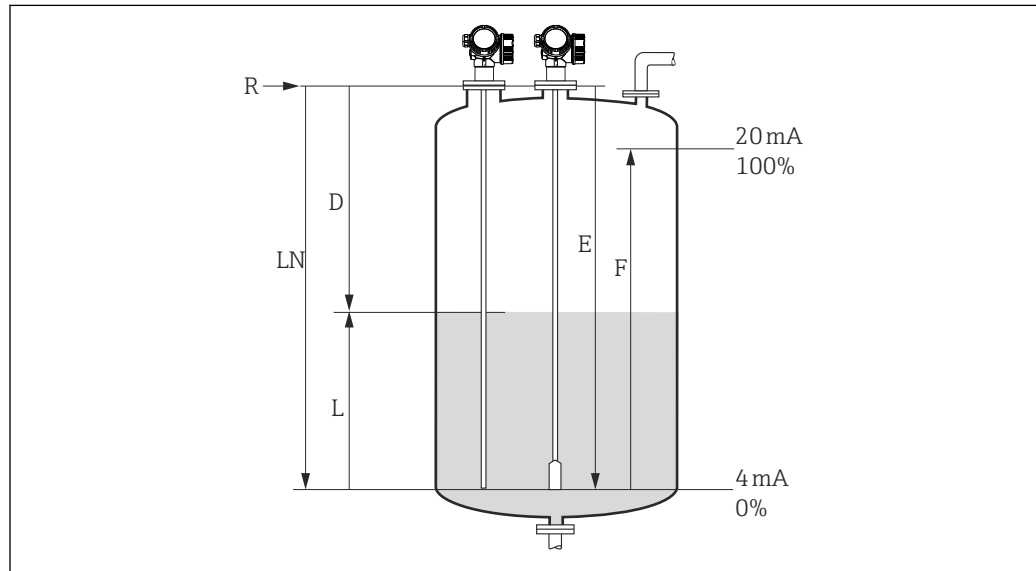
Registered trademark of Alfa Laval Inc., Kenosha, USA

## Function and system design

### Measuring principle

#### Basic principles

The Levelflex is a "downward-looking" measuring system that functions according to the ToF method (ToF = Time of Flight). The distance from the reference point to the product surface is measured. High-frequency pulses are injected to a probe and led along the probe. The pulses are reflected by the product surface, received by the electronic evaluation unit and converted into level information. This method is also known as TDR (Time Domain Reflectometry).



A0011360

1 Parameters for level measurement with the guided radar

- LN Probe length
- D Distance
- L Level
- R Reference point of measurement
- E Empty calibration (= zero)
- F Full calibration (= span)

**i** If, for rope probes, the DC value is less than 7, then measurement is not possible in the area of the straining weight (0 to 250 mm (0 to 9.84 in) from end of probe; lower blocking distance).



**Dielectric constant**

The dielectric constant (DC) of the medium has a direct impact on the degree of reflection of the high-frequency pulses. In the case of large DC values, such as for water or ammonia, there is strong pulse reflection while, with low DC values, such as for hydrocarbons, weak pulse reflection is experienced.

**Input**

The reflected pulses are transmitted from the probe to the electronics. There, a microprocessor analyzes the signals and identifies the level echo which was generated by the reflection of the high-frequency pulses at the product surface. This clear signal detection system benefits from over 30 years' experience with pulse time-of-flight procedures that have been integrated into the development of the PulseMaster® software.

The distance  $D$  to the product surface is proportional to the time of flight  $t$  of the impulse:


$$D = c \cdot t/2,$$

where  $c$  is the speed of light.

Based on the known empty distance  $E$ , the level  $L$  is calculated:

$$L = E - D$$

The reference point  $R$  of the measurement is located at the process connection. For details see the dimensional drawing:

FMP50: →  60

The Levelflex possesses functions for interference echo suppression that can be activated by the user. They guarantee that interference echoes from e.g. internals and struts are not interpreted as level echoes.

**Output**

The Levelflex is preset at the factory to the probe length ordered so that in most cases only the application parameters that automatically adapt the device to the measuring conditions need to be entered. For models with a current output, the factory adjustment for zero point  $E$  and span  $F$  is 4 mA and 20 mA, for digital outputs and the display module 0 % and 100 %. A linearization function with max. 32 points, which is based on a table entered manually or semi-automatically, can be activated on site or via remote operation. This function allows the level to be converted into units of volume or mass, for example.

**Life cycle of the product****Engineering**

- Universal measuring principle
- Measurement unaffected by medium properties
- Hardware and software developed according to SIL IEC 61508
- Genuine, direct interface measurement

**Procurement**

- Endress+Hauser being the world market leader in level measurement guarantees asset protection
- Worldwide support and service

**Installation**

- Special tools are not required
- Reverse polarity protection
- Modern, detachable terminals
- Main electronics protected by a separate connection compartment

**Commissioning**

- Fast, menu-guided commissioning in only 6 steps
- Plain text display in national languages reduces the risk of error or confusion
- Direct local access of all parameters
- Short instruction manual at the device

**Operation**

- Multi-echo tracking: Reliable measurement through self-learning echo-search algorithms taking into account the short-term and long-term history in order to check the found echoes for plausibility and to suppress interference echoes.
- Diagnostics in accordance with NAMUR NE107

**Maintenance**

- HistoROM: Data backup for instrument settings and measured values
- Exact instrument and process diagnosis to assist fast decisions with clear details concerning remedies
- Intuitive, menu-guided operating concept in national languages saves costs for training, maintenance and operation
- Cover of the electronics compartment can be opened in hazardous areas

**Retirement**

- Order code translation for subsequent models
- RoHS-conforming (Restriction of certain Hazardous Substances), unleaded soldering of electronic components
- Environmentally sound recycling concept

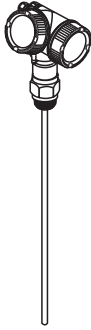

**Measuring system**

**General notes on probe selection**

Normally use rod probes for liquids. Rope probes are used in liquids for measuring ranges > 4 m (13 ft) and with restricted ceiling clearance which does not allow the installation of rigid probes.

**Probe selection**

The various types of probe in combination with the process connections are suitable for the following applications <sup>1)</sup>:

Levelflex FMP50				
Type of probe	Rod probe		Rope probe	
	 A0011387		 A0011388	
Feature 060 - Probe:	Option:		Option:	
	AA	8 mm (316L)	LA	4 mm (316)
	AB	1/3" (316L)	LB	1/6" (316)
Max. probe length	4 m (13 ft)		12 m (40 ft)	
For application	level measurement in liquids			

1) If required, rod and rope probes can be replaced. They are secured with Nord-Lock washers or a thread coating. For further information on service and spare parts please contact the Endress+Hauser service.

## Input

### Measured variable

The measured variable is the distance between the reference point and the product surface.

Subject to the empty distance entered "E" the level is calculated.

Alternatively, the level can be converted into other variables (volume, mass) by means of linearization (32 points).

### Measuring range

The following table describes the media groups and the possible measuring range as a function of the media group.

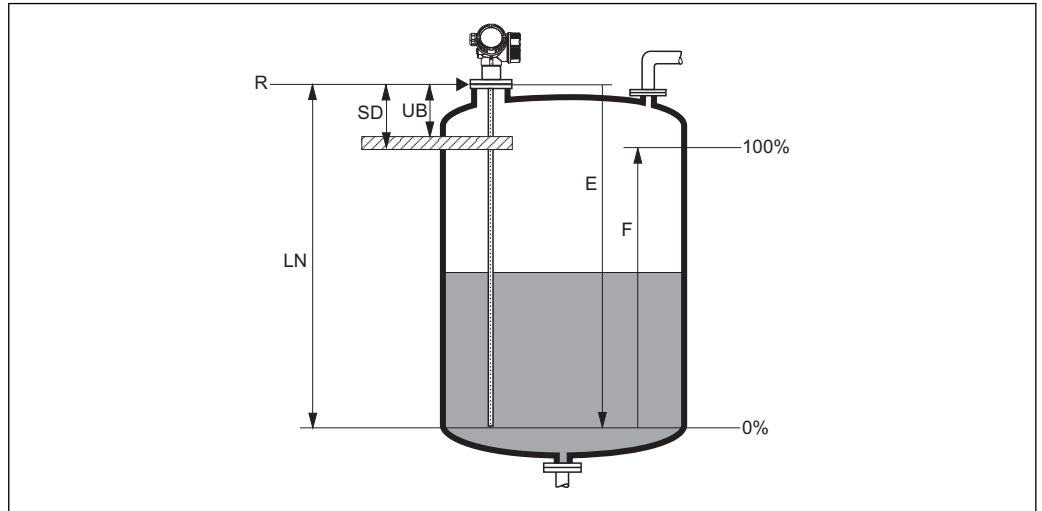
Levelflex FMP50				
Media group	DC ( $\epsilon_r$ )	Typical liquids	Measuring range	
			bare metallic rod probes	bare metallic rope probes
1	1.4...1.6	condensed gases, e.g. N <sub>2</sub> , CO <sub>2</sub>	on request	
2	1.6...1.9	<ul style="list-style-type: none"> <li>▪ liquefied gas, e.g. propane</li> <li>▪ solvent</li> <li>▪ Freon</li> <li>▪ palm oil</li> </ul>	4 m (13 ft)	12 m (39 ft)
3	1.9...2.5	mineral oils, fuels	4 m (13 ft)	12 m (39 ft)
4	2.5...4	<ul style="list-style-type: none"> <li>▪ benzene, styrene, toluene</li> <li>▪ furan</li> <li>▪ naphthalene</li> </ul>	4 m (13 ft)	12 m (39 ft)
5	4...7	<ul style="list-style-type: none"> <li>▪ chlorobenzene, chloroform</li> <li>▪ cellulose spray</li> <li>▪ isocyanate, aniline</li> </ul>	4 m (13 ft)	12 m (39 ft)
6	> 7	<ul style="list-style-type: none"> <li>▪ aqueous solutions</li> <li>▪ alcohols</li> <li>▪ acids, alkalis</li> </ul>	4 m (13 ft)	12 m (39 ft)



Reduction of the max. possible measuring range through buildup, above all of moist products.

**Blocking distance**

The upper blocking distance (= UB) is the minimum distance from the reference point of the measurement (mounting flange) to the maximum level.



A0011279

2 Definition of blocking distance and safety distance

- R Reference point of measurement
- LN Probe length
- UB Upper blocking distance
- E Empty calibration (= zero)
- F Full calibration (= span)
- SD Safety distance

Blocking distance (factory setting):

- with rod and rope probes up to 8 m (26 ft): 200 mm (8 in)
- with rod and rope probes exceeding a length of 8 m (26 ft):  $0.025 * (\text{length of probe})$

**i** The specified blocking distances are preset on delivery. Depending on the application these settings can be changed.

For rod and rope probes and for media with DC > 7 (or generally for stilling well/bypass applications) the blocking distance may be reduced to 100 mm (4").

Within the blocking distance, a reliable measurement can not be guaranteed.

**i** A safety distance SD can be defined in addition to the blocking distance. A warning is generated if the level rises into this safety distance.

**Measuring frequency spectrum**

100 MHz to 1.5 GHz

## Output

### Output signal

#### HART

Signal coding	FSK $\pm 0.5$ mA over currency signal
Data transmission rate	1200 Baud
Galvanic isolation	Yes

#### Bluetooth® wireless technology

Device version	Ordering feature 610 "Accessory mounted", option NF "Bluetooth"
Operation / configuration	By the <i>SmartBlue</i> app.
Range under reference conditions	> 10 m (33 ft)
Encryption	Encrypted communication and password encryption prevent incorrect operation by unauthorized persons.


#### PROFIBUS PA

Signal coding	Manchester Bus Powered (MBP)
Data transmission rate	31,25 KBit/s, voltage mode
Galvanic isolation	Yes

#### FOUNDATION Fieldbus

Signal coding	Manchester Bus Powered (MBP)
Data transmission rate	31,25 KBit/s, voltage mode
Galvanic isolation	Yes

#### Switch output

 For HART devices, the switch output is available as an option. See product structure, feature 20: "Power Supply, Output", option B: "2-wire; 4-20mA HART, switch output"

Devices with PROFIBUS PA and FOUNDATION Fieldbus always have a switch output.

Switch output	
Function	Open collector switching output
Switching behavior	Binary (conductive or non-conductive), switches when the programmable switch point is reached
Failure mode	non-conductive
Electrical connection values	$U = 16 \text{ to } 35 \text{ V}_{DC}$ , $I = 0 \text{ to } 40 \text{ mA}$
Internal resistance	$R_i < 880 \Omega$ The voltage drop at this internal resistance has to be taken into account on planning the configuration. For example, the resulting voltage at a connected relay must be sufficient to switch the relay.
Insulation voltage	floating, Insulation voltage $1350 \text{ V}_{DC}$ to power supply and $500 \text{ V}_{AC}$ to ground
Switch point	freely programmable, separately for switch-on and switch-off point
Switching delay	freely programmable from 0 to 100 s, separately for switch-on and switch-off point
Number of switching cycles	corresponds to the measuring cycle
Signal source device variables	<ul style="list-style-type: none"> <li>▪ Level linearized</li> <li>▪ Distance</li> <li>▪ Terminal voltage</li> <li>▪ Electronic temperature</li> <li>▪ Relative echo amplitude</li> <li>▪ Diagnostic values, Advanced diagnostics</li> </ul>
Number of switching cycles	unlimited

**Signal on alarm**

Depending on the interface, failure information is displayed as follows:

- Current output (for HART devices)
  - Failsafe mode selectable (in accordance with NAMUR Recommendation NE 43):  
Minimum alarm: 3.6 mA  
Maximum alarm (= factory setting): 22 mA
  - Failsafe mode with user-selectable value: 3.59 to 22.5 mA
- Local display
  - Status signal (in accordance with NAMUR Recommendation NE 107)
  - Plain text display
- Operating tool via digital communication or service interface (CDI)
  - Status signal (in accordance with NAMUR Recommendation NE 107)
  - Plain text display

**Linearization**

The linearization function of the device allows the conversion of the measured value into any unit of length or volume. Linearization tables for calculating the volume in cylindrical tanks are pre-programmed. Other tables of up to 32 value pairs can be entered manually or semi-automatically.

**Galvanic isolation**

All circuits for the outputs are galvanically isolated from each other.

## Protocol-specific data

## HART

Manufacturer ID	17 (0x11)
Device type ID	0x1122
HART specification	7.0
Device description files (DTM, DD)	Information and files at: <ul style="list-style-type: none"> <li>▪ <a href="http://www.endress.com">www.endress.com</a></li> <li>▪ <a href="http://www.fieldcommgroup.org">www.fieldcommgroup.org</a></li> </ul>
HART load	Min. 250 $\Omega$
HART device variables	The measured values can be freely assigned to the device variables. <p><b>Measured values for PV (primary variable)</b></p> <ul style="list-style-type: none"> <li>▪ Level linearized</li> <li>▪ Distance</li> <li>▪ Electronic temperature</li> <li>▪ Relative echo amplitude</li> </ul> <p><b>Measured values for SV, TV, FV (second, third and fourth variable)</b></p> <ul style="list-style-type: none"> <li>▪ Level linearized</li> <li>▪ Distance</li> <li>▪ Terminal voltage</li> <li>▪ Electronic temperature</li> <li>▪ Absolute echo amplitude</li> <li>▪ Relative echo amplitude</li> <li>▪ Calculated DC</li> </ul>
Supported functions	<ul style="list-style-type: none"> <li>▪ Burst mode</li> <li>▪ Additional transmitter status</li> </ul>

## Wireless HART data

<b>Minimum start-up voltage</b>	for device version "2-wire; 4-20mA HART" <sup>1)</sup> : 17.5 V
<b>Minimum start-up voltage</b>	for any other device version: 16.0 V
<b>Start-up current</b>	3.6 mA
<b>Start-up time</b>	45 s
<b>Minimum operating voltage</b>	11.4 V
<b>Multidrop current</b>	3.6 mA
<b>Set-up time</b>	1 s

1) Ordering feature 020: "Power supply; output", option A



**PROFIBUS PA**

Manufacturer ID	17 (0x11)
Ident number	0x1558
Profile version	3.02
GSD file	Information and files at:
GSD file version	<ul style="list-style-type: none"> <li>▪ <a href="http://www.endress.com">www.endress.com</a></li> <li>▪ <a href="http://www.profibus.org">www.profibus.org</a></li> </ul>
Output values	<p><b>Analog Input:</b></p> <ul style="list-style-type: none"> <li>▪ Level linearized</li> <li>▪ Distance</li> <li>▪ Terminal voltage</li> <li>▪ Electronic temperature</li> <li>▪ Absolute echo amplitude</li> <li>▪ Relative echo amplitude</li> <li>▪ Calculated DC</li> </ul> <p><b>Digital Input:</b></p> <ul style="list-style-type: none"> <li>▪ Extended diagnostic blocks</li> <li>▪ Status output PFS Block</li> </ul>
Input values	<p><b>Analog Output:</b></p> <ul style="list-style-type: none"> <li>▪ Analog value from PLC (for sensor block external pressure and temperature)</li> <li>▪ Analog value from PLC to be indicated on the display</li> </ul> <p><b>Digital Output:</b></p> <ul style="list-style-type: none"> <li>▪ Extended diagnostic block</li> <li>▪ Level limiter</li> <li>▪ Sensor block measurement on</li> <li>▪ Sensor block save history on</li> <li>▪ Status output</li> </ul>
Supported functions	<ul style="list-style-type: none"> <li>▪ Identification &amp; Maintenance <ul style="list-style-type: none"> <li>Simple device identification via control system and nameplate</li> </ul> </li> <li>▪ Automatic Ident Number Adoption <ul style="list-style-type: none"> <li>GSD compatibility mode with respect to the previous device Levelflex M FMP4x</li> </ul> </li> <li>▪ Physical Layer Diagnostics <ul style="list-style-type: none"> <li>Installation check of the PROFIBUS segment and the Levelflex FMP4x via terminal voltage and telegram monitoring</li> </ul> </li> <li>▪ PROFIBUS Up-/Download <ul style="list-style-type: none"> <li>Up to 10 times faster reading and writing of parameters via PROFIBUS Up-/Download</li> </ul> </li> <li>▪ Condensed Status <ul style="list-style-type: none"> <li>Simple and self-explanatory diagnostic information due to categorization of diagnostic messages</li> </ul> </li> </ul>

**FOUNDATION Fieldbus**

Manufacturer ID	0x452B48
Device type	0x1022
Device Revision	0x01
DD Revision	Information and files at:
CFF Revision	<ul style="list-style-type: none"> <li>▪ <a href="http://www.endress.com">www.endress.com</a></li> <li>▪ <a href="http://www.fieldcommgroup.org">www.fieldcommgroup.org</a></li> </ul>
Device Tester Version (ITK Version)	6.01
ITK Test Campaign Number	IT080500
Link Master (LAS) capable	yes
Link Master / Basic Device selectable	yes; default: Basic Device
Node address	Default: 247 (0xF7)
Features supported	<p>Following methods are supported:</p> <ul style="list-style-type: none"> <li>▪ Restart</li> <li>▪ ENP Restart</li> <li>▪ Setup</li> <li>▪ Linearization</li> <li>▪ Self Check</li> </ul>
<b>Virtual Communication Relationships (VCRs)</b>	
Number of VCRs	44
Number of Link Objects in VFD	50
Permanent entries	1
Client VCRs	0
Server VCRs	10
Source VCRs	43
Sink VCRs	0
Subscriber VCRs	43
Publisher VCRs	43
<b>Device Link Capabilities</b>	
Slot time	4
Min. inter PDU delay	8
Max. response delay	5

*Transducer Blocks*

<b>Block</b>	<b>Content</b>	<b>Output values</b>
Setup Transducer Block	Contains all parameters for a standard commissioning procedure	<ul style="list-style-type: none"> <li>■ Level or volume <sup>1)</sup> (Channel 1)</li> <li>■ Distance (Channel 2)</li> </ul>
Advanced Setup Transducer Block	Contains all parameters for a more detailed configuration of the device	no output values
Display Transducer Block	Contains all parameters for the configuration of the display module	no output values
Diagnostic Transducer Block	Contains diagnostic information	no output values
Expert Configuration Transducer Block	Contains parameters which require detailed knowledge of the functionalities of the device	no output values
Expert Information Transducer Block	Contains information about the state of the device	no output values
Service Sensor Transducer Block	Contains parameters which can only be operated by Endress+Hauser service personnel	no output values
Service Information Transducer Block	Contains information on the state of device which is relevant for service operations	no output values
Data Transfer Transducer Block	Contains parameters which allow to backup the device configuration in the display module and to restore it into the device.	no output values

1) depending on the configuration of the block

## Function Blocks

Block	Content	Number of permanent blocks	Number of instantiable blocks	Execution time	Functionality
Resource Block	The Resource Block contains all the data that uniquely identify the field device. It is an electronic version of a nameplate of the device.	1	0	-	enhanced
Analog Input Block	The AI block takes the manufacturer's input data, selected by channel number, and makes it available to other function blocks at its output.	2	3	25 ms	enhanced
Discrete Input Block	The DI block takes a discrete input value (e.g. indication of an level limit), and makes it available to other function blocks at its output.	1	2	20 ms	standard
PID Block	The PID block serves as proportional-integral-derivative controller and is used almost universally to do closed-loop-control in the field including cascade and feedforward.	1	1	25 ms	standard
Arithmetic Block	This block is designed to permit simple use of popular measurement math functions. The user does not have to know how to write equations. The math algorithm is selected by name, chosen by the user for the function to be done.	1	1	25 ms	standard
Signal Characterizer Block	The signal characterizer block has two sections, each with an output that is a non-linear function of the respective input. The non-linear function is determined by a single look-up table with 21 arbitrary x-y pairs.	1	1	25 ms	standard
Input Selector Block	The input selector block provides selection of up to four inputs and generates an output based on the configured action. This block normally receives its inputs from AI blocks. The block performs maximum, minimum, middle, average and 'first good' signal selection.	1	1	25 ms	standard
Integrator Block	The Integrator Function Block integrates a variable as a function of the time or accumulates the counts from a Pulse Input block. The block may be used as a totalizer that counts up until reset or as a batch totalizer that has a setpoint, where the integrated or accumulated value is compared to pre-trip and trip settings, generating discrete signals when these settings are reached.	1	1	25 ms	standard
Analog Alarm Block		1	1	25 ms	standard

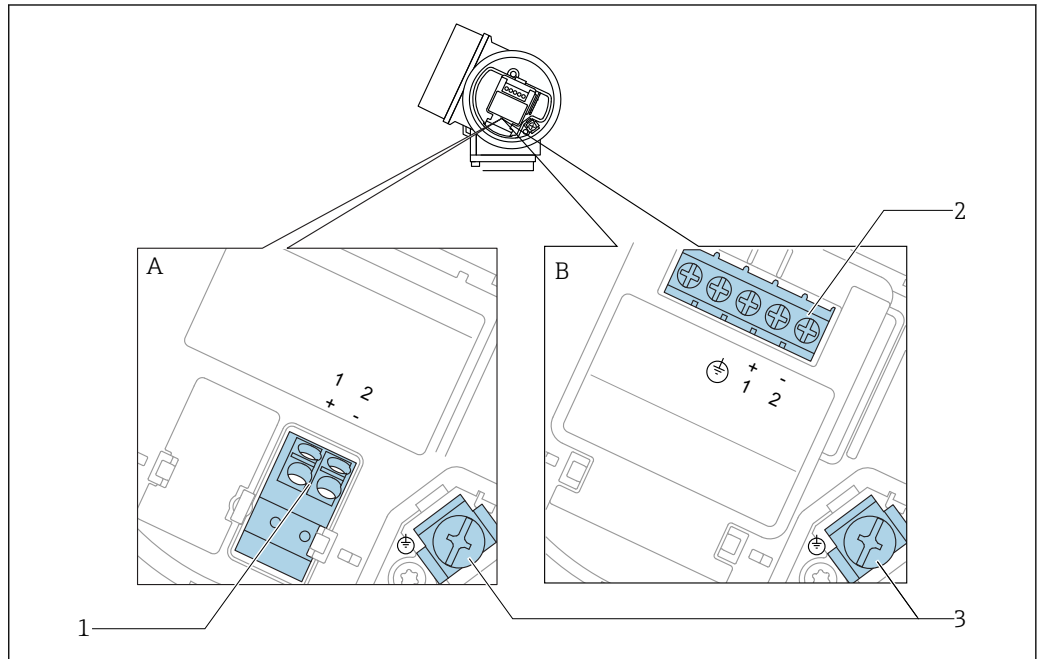


Up to 20 blocks can be instantiated in the device altogether, including the blocks already instantiated on delivery.

# Power supply

## Terminal assignment

### Terminal assignment 2-wire: 4-20 mA HART



A0036498

3 Terminal assignment 2-wire: 4-20 mA HART

A Without integrated overvoltage protection

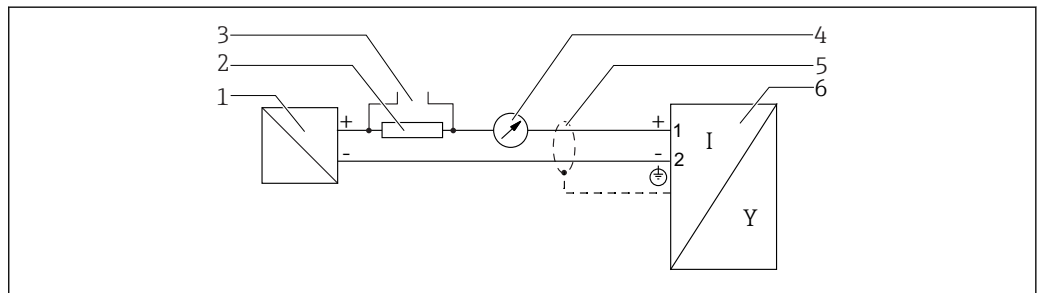
B With integrated overvoltage protection

1 Connection 4-20 mA HART passive: terminals 1 and 2, without integrated overvoltage protection

2 Connection 4-20 mA HART passive: terminals 1 and 2, with integrated overvoltage protection

3 Terminal for cable screen

### Block diagram 2-wire: 4-20 mA HART



A0036499

4 Block diagram 2-wire: 4-20 mA HART

1 Active barrier with power supply (e.g. RN221N); observe terminal voltage

2 HART communication resistor ( $\geq 250 \Omega$ ); observe maximum load

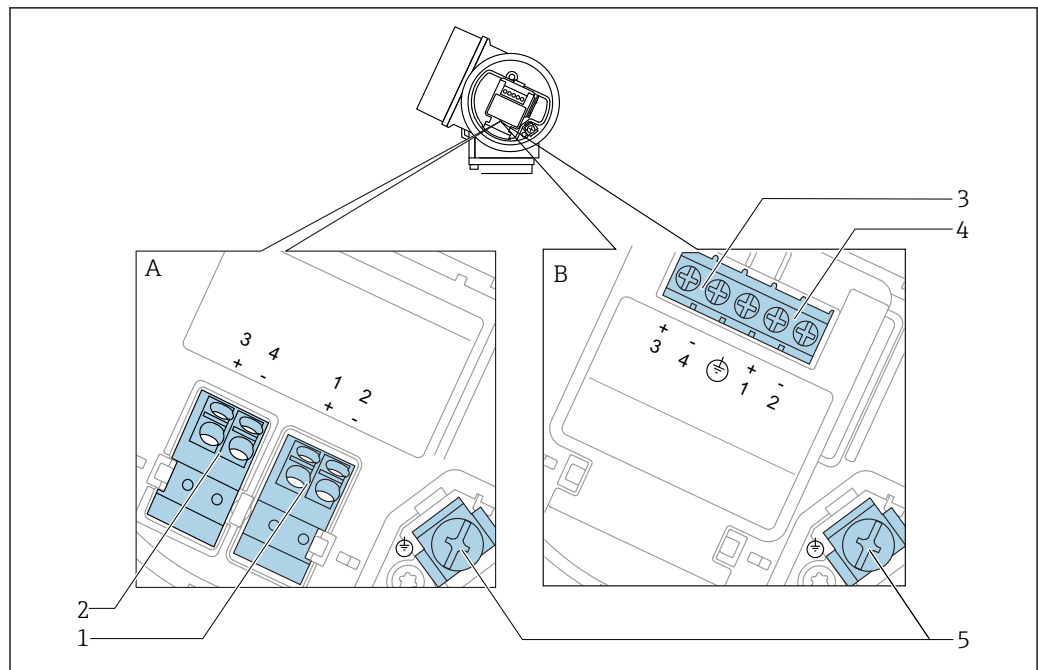
3 Connection for Commubox FXA195 or FieldXpert SFX350/SFX370 (via VIATOR Bluetooth modem)

4 Analog display device; observe maximum load

5 Cable screen; observe cable specification

6 Measuring device

**Terminal assignment 2-wire: 4-20 mA HART, switch output**



A0036500

**5** Terminal assignment 2-wire: 4-20 mA HART, switch output

A Without integrated overvoltage protection

B With integrated overvoltage protection

1 Connection 4-20 mA HART passive: terminals 1 and 2, without integrated overvoltage protection

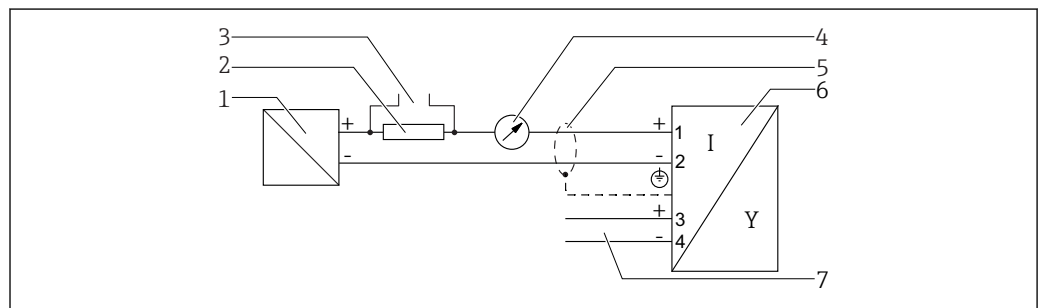
2 Connection switch output (Open Collector): terminals 3 and 4, without integrated overvoltage protection

3 Connection switch output (Open Collector): terminals 3 and 4, with integrated overvoltage protection

4 Connection 4-20 mA HART passive: terminals 1 and 2, with integrated overvoltage protection

5 Terminal for cable screen

**Block diagram 2-wire: 4-20 mA HART, switch output**



A0036501

**6** Block diagram 2-wire: 4-20 mA HART, switch output

1 Active barrier with power supply (e.g. RN221N); observe terminal voltage

2 HART communication resistor ( $\geq 250 \Omega$ ); observe maximum load

3 Connection for Commubox FXA195 or FieldXpert SFX350/SFX370 (via VIATOR Bluetooth modem)

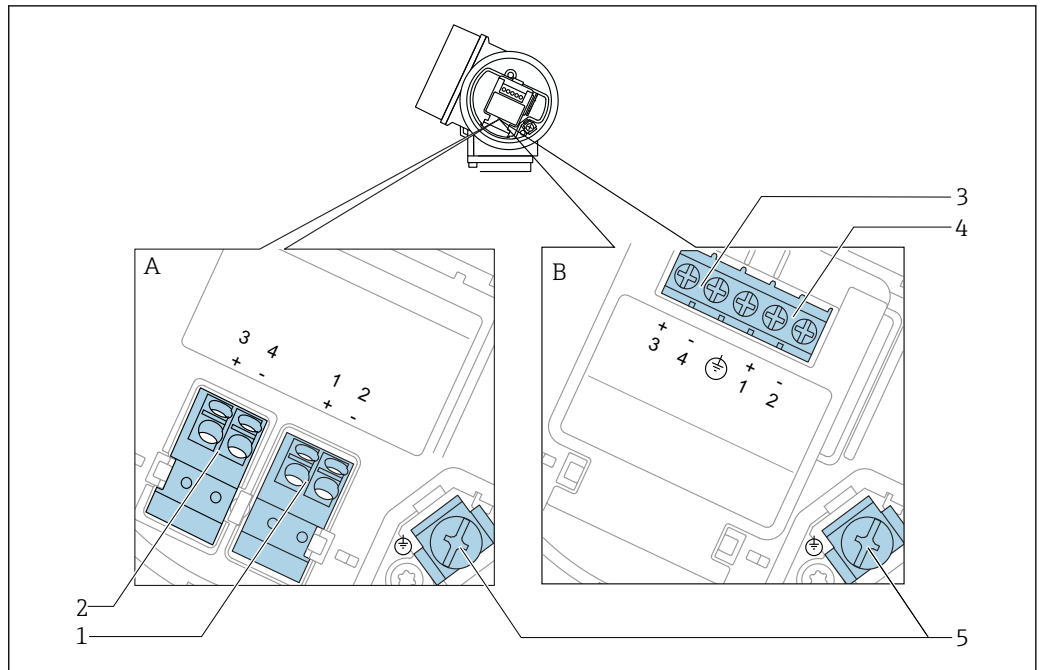
4 Analog display device; observe maximum load

5 Cable screen; observe cable specification

6 Measuring device

7 Switch output (Open Collector)

**Terminal assignment 2-wire: 4-20 mA HART, 4-20 mA**



A0036500

**7** Terminal assignment 2-wire: 4-20 mA HART, 4-20 mA

A Without integrated overvoltage protection

B With integrated overvoltage protection

1 Connection current output 1, 4-20 mA HART passive: terminals 1 and 2, without integrated overvoltage protection

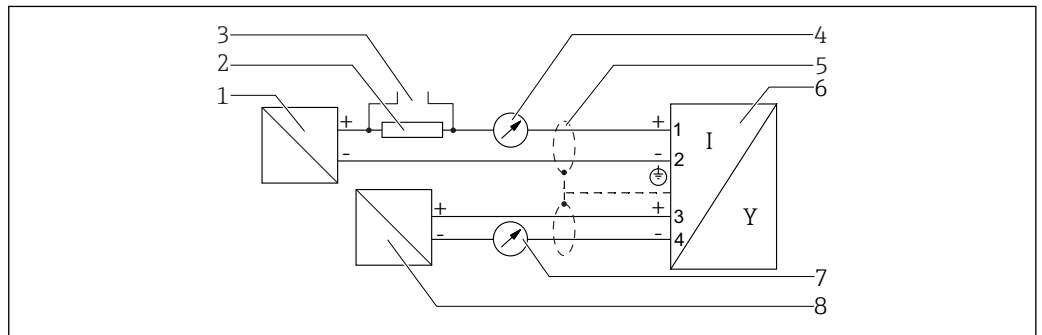
2 Connection current output 2, 4-20 mA: terminals 3 and 4, without integrated overvoltage protection

3 Connection current output 2, 4-20 mA: terminals 3 and 4, with integrated overvoltage protection

4 Connection current output 1, 4-20 mA HART passive: terminals 1 and 2, with integrated overvoltage protection

5 Terminal for cable screen

**Block diagram 2-wire: 4-20 mA HART, 4-20 mA**



A0036502

**8** Block diagram 2-wire: 4-20 mA HART, 4-20 mA

1 Active barrier with power supply (e.g. RN221N); observe terminal voltage

2 HART communication resistor ( $\geq 250 \Omega$ ); observe maximum load

3 Connection for Commubox FXA195 or FieldXpert SFX350/SFX370 (via VIATOR Bluetooth modem)

4 Analog display device; observe maximum load

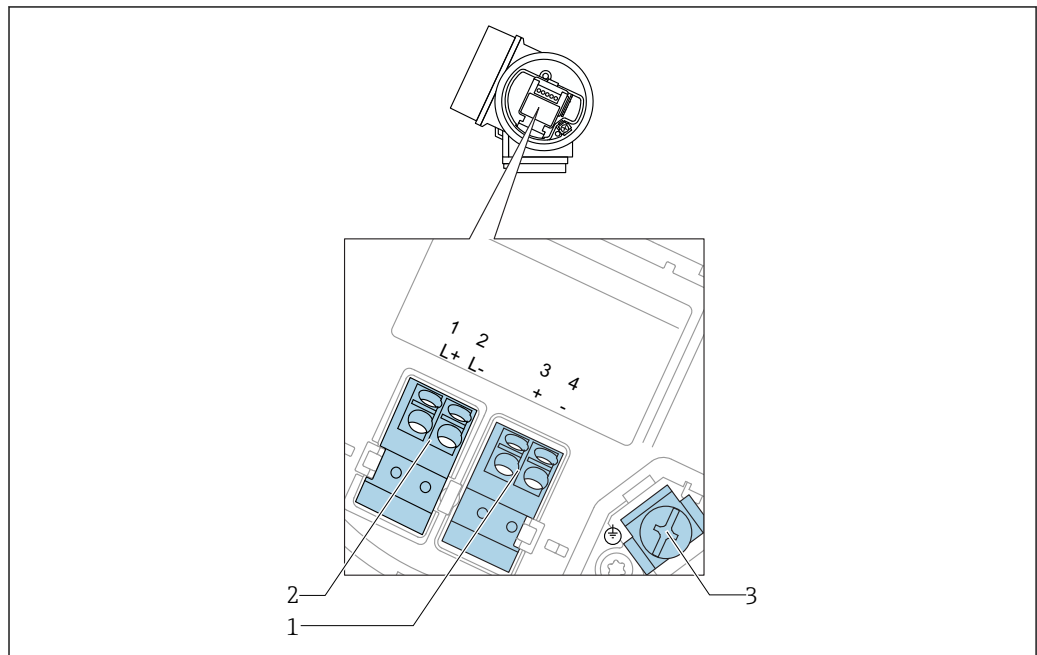
5 Cable screen; observe cable specification

6 Measuring device

7 Analog display device; observe maximum load

8 Active barrier with power supply (e.g. RN221N), current output 2; observe terminal voltage

**Terminal assignment 4-wire: 4-20 mA HART (10.4 to 48 V<sub>DC</sub>)**

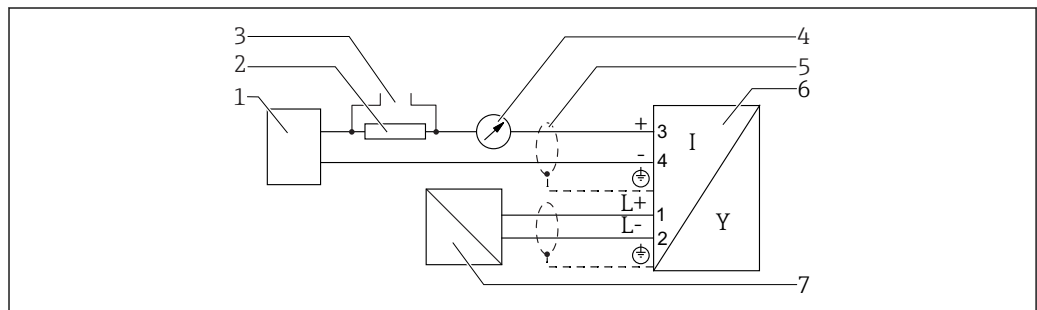


A0036516

▣ 9 Terminal assignment 4-wire: 4-20 mA HART (10.4 to 48 V<sub>DC</sub>)

- 1 Connection 4-20 mA HART (active): terminals 3 and 4
- 2 Connection supply voltage: terminals 1 and 2
- 3 Terminal for cable screen

**Block diagram 4-wire: 4-20 mA HART (10.4 to 48 V<sub>DC</sub>)**



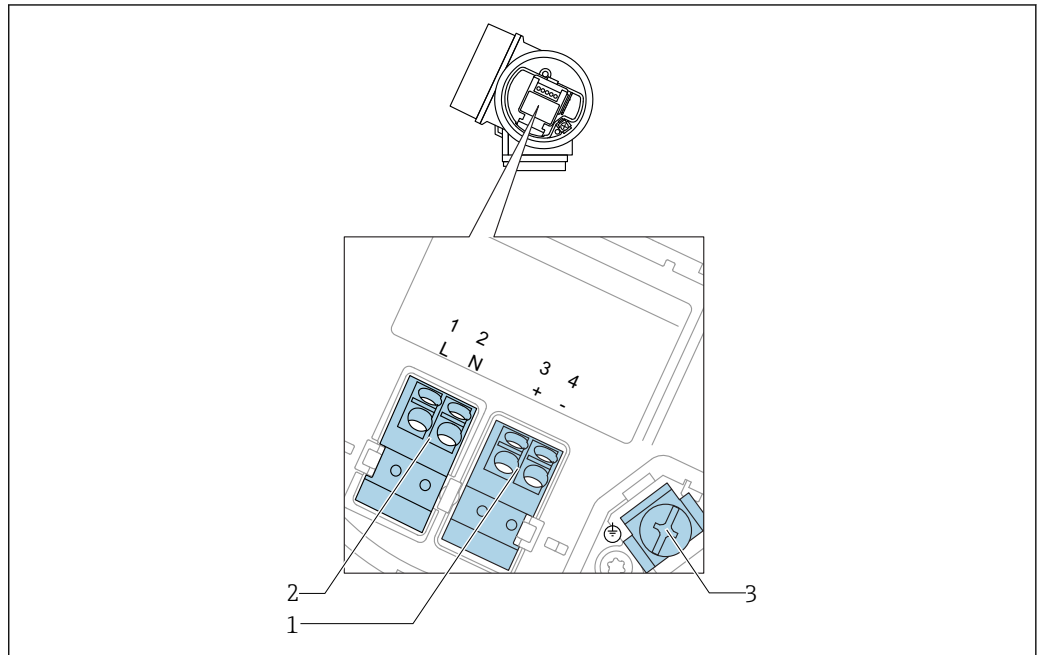
A0036526

▣ 10 Block diagram 4-wire: 4-20 mA HART (10.4 to 48 V<sub>DC</sub>)

- 1 Evaluation unit, e.g. PLC
- 2 HART communication resistor ( $\geq 250 \Omega$ ); observe maximum load
- 3 Connection for Commubox FXA195 or FieldXpert SFX350/SFX370 (via VIATOR Bluetooth modem)
- 4 Analog display device; observe maximum load
- 5 Cable screen; observe cable specification
- 6 Measuring device
- 7 Supply voltage; observe terminal voltage, observe cable specification



**Terminal assignment 4-wire: 4-20 mA HART (90 to 253 V<sub>AC</sub>)**



A0036519

11 Terminal assignment 4-wire: 4-20 mA HART (90 to 253 V<sub>AC</sub>)

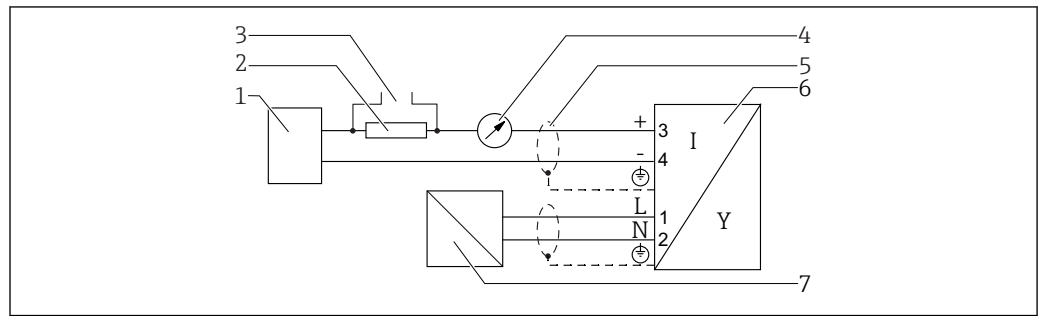
- 1 Connection 4-20 mA HART (active): terminals 3 and 4
- 2 Connection supply voltage: terminals 1 and 2
- 3 Terminal for cable screen

**CAUTION**

**To ensure electrical safety:**

- ▶ Do not disconnect the protective connection.
  - ▶ Disconnect the supply voltage before disconnecting the protective earth.
- i** Connect protective earth to the internal ground terminal (3) before connecting the supply voltage. If necessary, connect the potential matching line to the external ground terminal.
  - i** In order to ensure electromagnetic compatibility (EMC): Do **not** only ground the device via the protective earth conductor of the supply cable. Instead, the functional grounding must also be connected to the process connection (flange or threaded connection) or to the external ground terminal.
  - i** An easily accessible power switch must be installed in the proximity of the device. The power switch must be marked as a disconnecter for the device (IEC/EN61010).

**Block diagram 4-wire: 4-20 mA HART (90 to 253 V<sub>AC</sub>)**

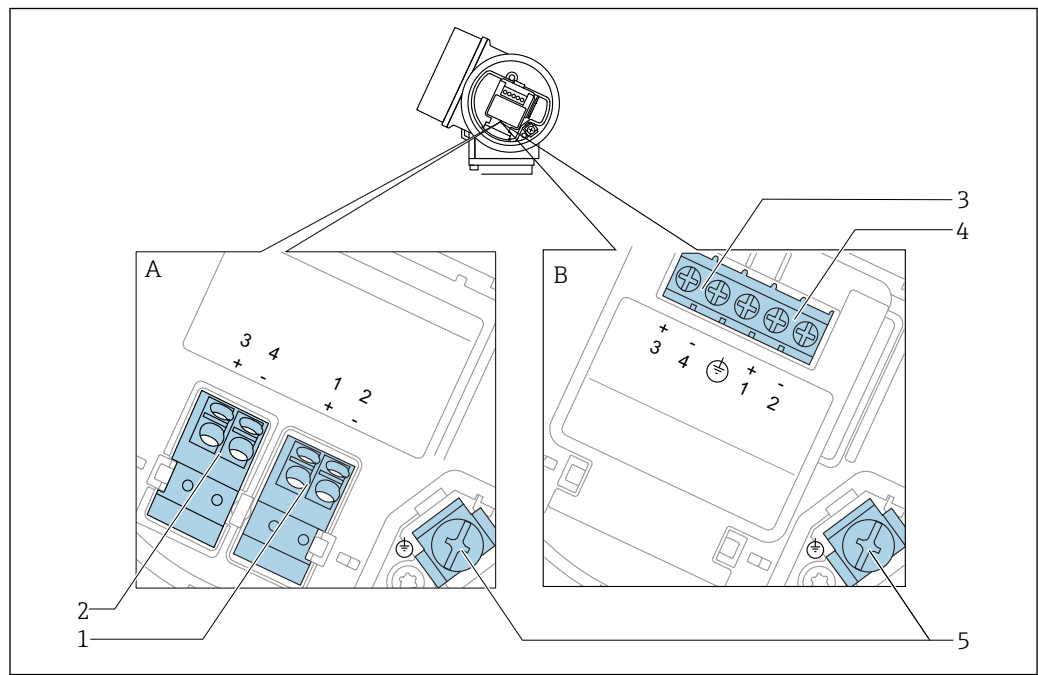


A0036527

12 Block diagram 4-wire: 4-20 mA HART (90 to 253 V<sub>AC</sub>)

- 1 Evaluation unit, e.g. PLC
- 2 HART communication resistor ( $\geq 250 \Omega$ ); observe maximum load
- 3 Connection for Commubox FXA195 or FieldXpert SFX350/SFX370 (via VIATOR Bluetooth modem)
- 4 Analog display device; observe maximum load
- 5 Cable scree; observe cable specification
- 6 Measuring device
- 7 Supply voltage; observe terminal voltage, observe cable specification

**Terminal assignment PROFIBUS PA / FOUNDATION Fieldbus**

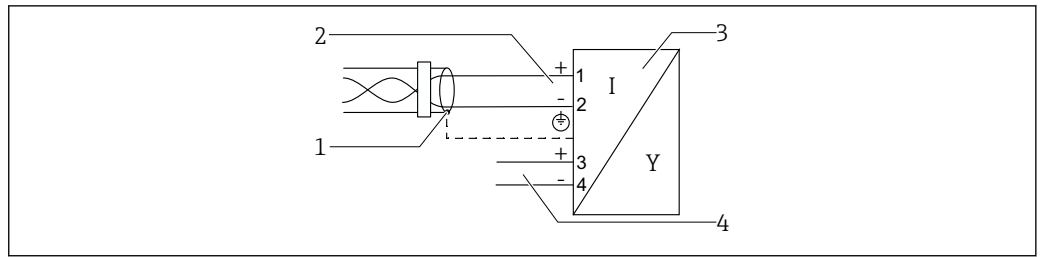


A0036500

13 Terminal assignment PROFIBUS PA / FOUNDATION Fieldbus

- A Without integrated overvoltage protection
- B With integrated overvoltage protection
- 1 Connection PROFIBUS PA / FOUNDATION Fieldbus: terminals 1 and 2, without integrated overvoltage protection
- 2 Connection switch output (Open Collector): terminals 3 and 4, without integrated overvoltage protection
- 3 Connection switch output (Open Collector): terminals 3 and 4, with integrated overvoltage protection
- 4 Connection PROFIBUS PA / FOUNDATION Fieldbus: terminals 1 and 2, with integrated overvoltage protection
- 5 Terminal for cable screen

**Block diagram PROFIBUS PA / FOUNDATION Fieldbus**



A0036530

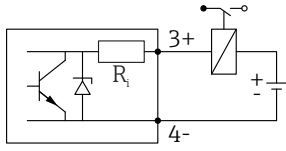
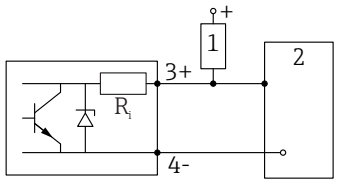
14 Block diagram PROFIBUS PA / FOUNDATION Fieldbus

- 1 Cable screen; observe cable specifications
- 2 Connection PROFIBUS PA / FOUNDATION Fieldbus
- 3 Measuring device
- 4 Switch output (open collector)

**Connection examples for the switch output**

**i** For HART devices, the switch output is available as an option. See product structure, feature 20: "Power Supply, Output", option B: "2-wire; 4-20 mA HART, switch output"

Devices with PROFIBUS PA and FOUNDATION Fieldbus always have a switch output.

 <p><b>15</b> Connection of a relay</p> <p>Suitable relays (examples):</p> <ul style="list-style-type: none"> <li>▪ Solid-state relay: Phoenix Contact OV-24DC/480AC/5 with mounting rail connector UMK-1 OM-R/AMS</li> <li>▪ Electromechanical relay: Phoenix Contact PLC-RSC-12DC/21</li> </ul>	 <p><b>16</b> Connection of a digital input</p> <p>1 Pull-up resistor 2 Digital input</p>
--	--

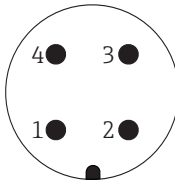
**i** For optimum interference immunity we recommend to connect an external resistor (internal resistance of the relay or Pull-up resistor) of  $< 1\ 000\ \Omega$ .

**Device plug connectors**

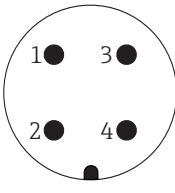


For the versions with fieldbus plug connector (M12 or 7/8"), the signal line can be connected without opening the housing.

*Pin assignment of the M12 plug connector*


 <p style="text-align: right; font-size: small;">A0011175</p>	Pin	Meaning
	1	Signal +
	2	not connected
	3	Signal -
	4	Ground

*Pin assignment of the 7/8" plug connector*

 <p style="text-align: right; font-size: small;">A0011176</p>	Pin	Meaning
	1	Signal -
	2	Signal +
	3	Not connected
	4	Screen

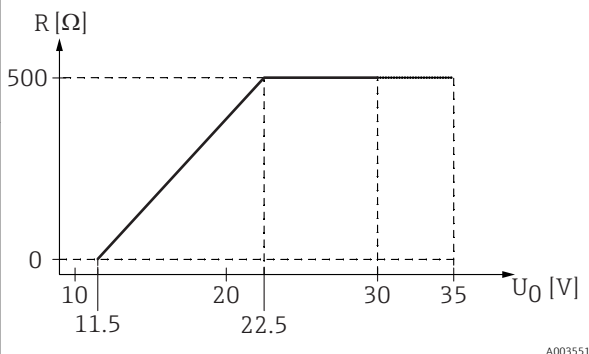
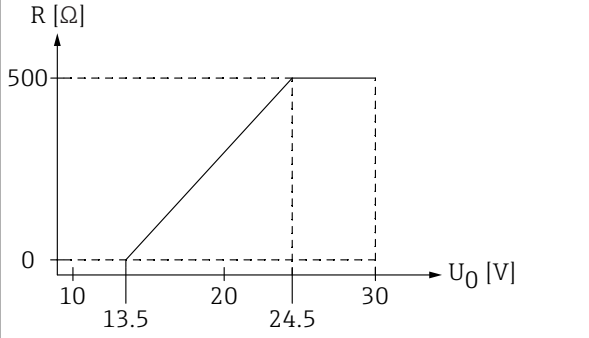
**Power supply**

An external power supply is required.

 Various supply units can be ordered from Endress+Hauser.

**2-wire, 4-20mA HART, passive**

2-wire; 4-20mA HART<sup>1)</sup>

"Approval" <sup>2)</sup>	Terminal voltage U at the device	Maximum load R, depending on the supply voltage U <sub>0</sub> at the supply unit
<ul style="list-style-type: none"> <li>■ Non-Ex</li> <li>■ Ex nA</li> <li>■ Ex ic</li> <li>■ CSA GP</li> </ul>	11.5 to 35 V <sup>3) 4)</sup>	 <p style="text-align: right; font-size: small;">A0035511</p>
Ex ia / IS	11.5 to 30 V <sup>4)</sup>	
<ul style="list-style-type: none"> <li>■ Ex d / XP</li> <li>■ Ex ic[ia]</li> <li>■ Ex tD / DIP</li> </ul>	13.5 to 30 V <sup>4) 5)</sup>	 <p style="text-align: right; font-size: small;">A0034969</p>

- 1) Feature 020 of the product structure: option A
- 2) Feature 010 of the product structure
- 3) For ambient temperatures  $T_a \leq -30\text{ °C}$  (-22 °F) a minimum voltage of 14 V is required for the sartup of the device at the minimum error current (3,6 mA). For ambient temperatures  $T_a \geq 60\text{ °C}$  (140 °F) a minimum voltage of 12V is required for the sartup of the device at the minimum error current (3,6 mA). The sartup current can be parametrized. If the device is operated with a fixed current  $I \geq 4,5\text{ mA}$  (HART multidrop mode), a voltage of  $U \geq 11,5\text{ V}$  is sufficient throughout the entire range of ambient temperatures.
- 4) If the Bluetooth modem is used, the minimum supply voltage increases by 2 V.
- 5) For ambient temperatures  $T_a \leq -20\text{ °C}$  (-4 °F) a minimum voltage of 16 V is required for the sartup of the device at the minimum error current (3.6 mA).

2-wire; 4-20 mA HART, switch output <sup>1)</sup>

"Approval" <sup>2)</sup>	Terminal voltage U at the device	Maximum load R, depending on the supply voltage U <sub>0</sub> at the supply unit
<ul style="list-style-type: none"> <li>▪ Non-Ex</li> <li>▪ Ex nA</li> <li>▪ Ex nA[ia]</li> <li>▪ Ex ic</li> <li>▪ Ex ic[ia]</li> <li>▪ Ex d[ia] / XP</li> <li>▪ Ex ta / DIP</li> <li>▪ CSA GP</li> </ul>	13.5 to 35 V <sup>3) 4)</sup>	<p style="text-align: right; font-size: small;">A0034971</p>
<ul style="list-style-type: none"> <li>▪ Ex ia / IS</li> <li>▪ Ex ia + Ex d[ia] / IS + XP</li> </ul>	13.5 to 30 V <sup>3) 4)</sup>	

- 1) Feature 020 of the product structure: option B
- 2) Feature 010 of the product structure
- 3) For ambient temperatures  $T_a \leq -30\text{ °C}$  ( $-22\text{ °F}$ ) a minimum voltage of 16 V is required for the startup of the device at the minimum error current (3.6 mA).
- 4) If the Bluetooth modem is used, the minimum supply voltage increases by 2 V.

2-wire; 4-20mA HART, 4-20mA <sup>1)</sup>

"Approval" <sup>2)</sup>	Terminal voltage U at the device	Maximum load R, depending on the supply voltage U <sub>0</sub> at the supply unit
any	<b>Channel 1:</b> 13.5 to 30 V <sup>3) 4) 5)</sup>	<p style="text-align: right; font-size: small;">A0034969</p>
	<b>Channel 2:</b> 12 to 30 V	

- 1) Feature 020 of the product structure: option C
- 2) Feature 010 of the product structure
- 3) For ambient temperatures  $T_a \leq -30\text{ °C}$  ( $-22\text{ °F}$ ) a minimum voltage of 16 V is required for the startup of the device at the minimum error current (3.6 mA).
- 4) For ambient temperatures  $T_a \leq -40\text{ °C}$  ( $-40\text{ °F}$ ), the maximum terminal voltage must be restricted to  $U \leq 28\text{ V}$ .
- 5) If the Bluetooth modem is used, the minimum supply voltage increases by 2 V.

---

<b>Polarity reversal protection</b>	Yes
<b>Admissible residual ripple at f = 0 to 100 Hz</b>	$U_{SS} < 1 \text{ V}$
<b>Admissible residual ripple at f = 100 to 10000 Hz</b>	$U_{SS} < 10 \text{ mV}$



**4-wire, 4-20mA HART, active**

"Power supply; Output" <sup>1)</sup>	Terminal voltage	Maximum load R <sub>max</sub>
<b>K:</b> 4-wire 90-253VAC; 4-20mA HART	90 to 253 V <sub>AC</sub> (50 to 60 Hz), overvoltage category II	500 Ω
<b>L:</b> 4-wire 10,4-48VDC; 4-20mA HART	10.4 to 48 V <sub>DC</sub>	

1) Feature 020 of the product structure

**PROFIBUS PA, FOUNDATION Fieldbus**

"Power supply; Output" <sup>1)</sup>	"Approval" <sup>2)</sup>	Terminal voltage
<b>E:</b> 2-wire; FOUNDATION Fieldbus, switch output <b>G:</b> 2-wire; PROFIBUS PA, switch output	<ul style="list-style-type: none"> <li>▪ Non-Ex</li> <li>▪ Ex nA</li> <li>▪ Ex nA[ia]</li> <li>▪ Ex ic</li> <li>▪ Ex ic[ia]</li> <li>▪ Ex d[ia] / XP</li> <li>▪ Ex ta / DIP</li> <li>▪ CSA GP</li> </ul>	9 to 32 V <sup>3)</sup>
	<ul style="list-style-type: none"> <li>▪ Ex ia / IS</li> <li>▪ Ex ia + Ex d[ia] / IS + XP</li> </ul>	9 to 30 V <sup>3)</sup>

- 1) Feature 020 of the product structure
- 2) Feature 010 of the product structure
- 3) Input voltages up to 35 V will not spoil the device.

<b>Polarity sensitive</b>	No
<b>FISCO/FNICO compliant according to IEC 60079-27</b>	Yes

**Power consumption**

"Power supply; Output" <sup>1)</sup>	Power consumption
<b>A:</b> 2-wire; 4-20mA HART	< 0.9 W
<b>B:</b> 2-wire; 4-20mA HART, switch output	< 0.9 W
<b>C:</b> 2-wire; 4-20mA HART, 4-20mA	< 2 x 0.7 W
<b>K:</b> 4-wire 90-253VAC; 4-20mA HART	6 VA
<b>L:</b> 4-wire 10,4-48VDC; 4-20mA HART	1.3 W

1) Feature 020 of the product structure

**Current consumption**

**HART**

<b>Nominal current</b>	3.6 to 22 mA, the start-up current for multidrop mode can be parametrized (is set to 3.6 mA on delivery)
<b>Breakdown signal (NAMUR NE43)</b>	adjustable: 3.59 to 22.5 mA

**PROFIBUS PA**

<b>Nominal current</b>	14 mA
<b>Failure current FDE (Fault Disconnection Electronic)</b>	0 mA

**FOUNDATION Fieldbus**

Device basic current	15 mA
Failure current FDE (Fault Disconnection Electronic)	0 mA

**FISCO**

$U_i$	17.5 V
$I_i$	550 mA
$P_i$	5.5 W
$C_i$	5 nF
$L_i$	10 $\mu$ H

**Power supply failure**

- Configuration is retained in the HistoROM (EEPROM).
- Error messages (incl. value of operated hours counter) are stored.

**Potential equalization**

No special measures for potential equalization are required.



If the device is designed for hazardous areas, observe the information in the documentation "Safety Instructions" (XA).

**Terminals**

- **Without integrated overvoltage protection**  
Plug-in spring terminals for wire cross-sections 0.5 to 2.5 mm<sup>2</sup> (20 to 14 AWG)
- **With integrated overvoltage protection**  
Screw terminals for wire cross-sections 0.2 to 2.5 mm<sup>2</sup> (24 to 14 AWG)

**Cable entries**

**Connection of power supply and signal line**

To be selected in feature 050 "Electrical connection"

- Gland M20; Material dependent on the approval:
  - For Non-Ex, ATEX, IECEx, NEPSI Ex ia/ic:  
Plastics M20x1.5 for cable  $\varnothing$ 5 to 10 mm (0.2 to 0.39 in)
  - For Dust-Ex, FM IS, CSA IS, CSA GP, Ex nA:
  - For Ex d:  
No gland available
- Thread
  - 1/2" NPT
  - G 1/2"
  - M20 x 1.5
- Plug M12 / Plug 7/8"  
Only available for Non-Ex, Ex ic, Ex ia

**Connection of remote display FHX50**

Feature 030 "Display, Operation"	Cable entry for FHX50 connection
L: "Prepared for display FHX50 + M12 connection"	M12 socket
M: "Prepared for display FHX50 + M16 gland, custom connection"	M12 cable gland
N: "Prepared for display FHX50 + NPT1/2 thread, custom connection"	NPT1/2 thread

**Cable specification**


- **Devices without integrated overvoltage protection**  
Pluggable spring-force terminals for wire cross-sections 0.5 to 2.5 mm<sup>2</sup> (20 to 14 AWG)
- **Devices with integrated overvoltage protection**  
Screw terminals for wire cross-sections 0.2 to 2.5 mm<sup>2</sup> (24 to 14 AWG)
- For ambient temperature  $T_U \geq 60$  °C (140 °F): use cable for temperature  $T_U + 20$  K.

**HART**

- A normal device cable suffices if only the analog signal is used.
- A shielded cable is recommended if using the HART protocol. Observe grounding concept of the plant.
- For 4-wire devices: Standard device cable is sufficient for the power line.

**PROFIBUS**

Use a twisted, screened two-wire cable, preferably cable type A.

-  For further information on the cable specifications, see Operating Instructions BA00034S "PROFIBUS DP/PA: Guidelines for planning and commissioning", PNO Guideline 2.092 "PROFIBUS PA User and Installation Guideline" and IEC 61158-2 (MBP).

**FOUNDATION Fieldbus**

Endress+Hauser recommends using twisted, shielded two-wire cables.

-  For further information on the cable specifications, see Operating Instructions BA00013S "FOUNDATION Fieldbus Overview", FOUNDATION Fieldbus Guideline and IEC 61158-2 (MBP).

**Overvoltage protection**

If the measuring device is used for level measurement in flammable liquids which requires the use of overvoltage protection according to DIN EN 60079-14, standard for test procedures 60060-1 (10 kA, pulse 8/20 µs), an overvoltage protection module has to be installed.

**Integrated overvoltage protection module**


An integrated overvoltage protection module is available for 2-wire HART as well as PROFIBUS PA and FOUNDATION Fieldbus devices.

Product structure: Feature 610 "Accessory mounted", option NA "Overvoltage protection".

Technical data	
Resistance per channel	2 × 0.5 Ω max.
Threshold DC voltage	400 to 700 V
Threshold impulse voltage	< 800 V
Capacitance at 1 MHz	< 1.5 pF
Nominal arrest impulse voltage (8/20 µs)	10 kA

**External overvoltage protection module**

HAW562 or HAW569 from Endress+Hauser are suited as external overvoltage protection.

-  For detailed information please refer to the following documents:
  - HAW562: TI01012K
  - HAW569: TI01013K

## Performance characteristics

### Reference operating conditions

- Temperature = +24 °C (+75 °F) ±5 °C (±9 °F)
- Pressure = 960 mbar abs. (14 psia) ±100 mbar (±1.45 psi)
- Humidity = 60 % ±15 %
- Reflection factor ≥ 0,8 (metal plate for rod and rope probe with min. 1 m (40 in) diameter)
- Flange for rod or rope probe ≥ 300 mm (12 in) diameter
- Distance to obstacles ≥ 1 m (40 in)

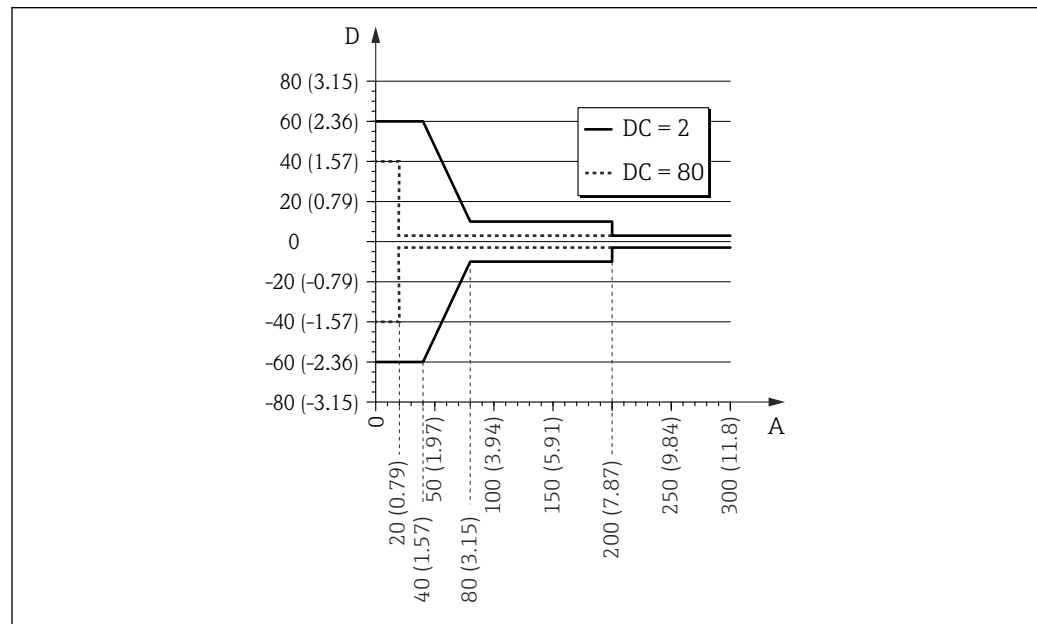
### Reference accuracy

Typical data under reference operating conditions: DIN EN IEC 61298-2 / DIN EN IEC 60770-1, percentage values in relation to the span.

Output:	digital	analog <sup>1)</sup>
Accuracy (Sum of non-linearity, nonrepeatability and hysteresis) <sup>2)</sup>	±2 mm (±0.08 in)	±0.02 %
Non-repeatability <sup>3)</sup>	≤ 1 mm (0.04 in)	

- 1) Add error of the analogous value to the digital value.
- 2) If the reference conditions are not met, the offset/zero point arising from the mounting conditions may be up to ±16 mm (±0.63 in). This additional offset/zero point can be compensated for by entering a correction (parameter "level correction") during commissioning.
- 3) The non-repeatability is already considered in the accuracy.

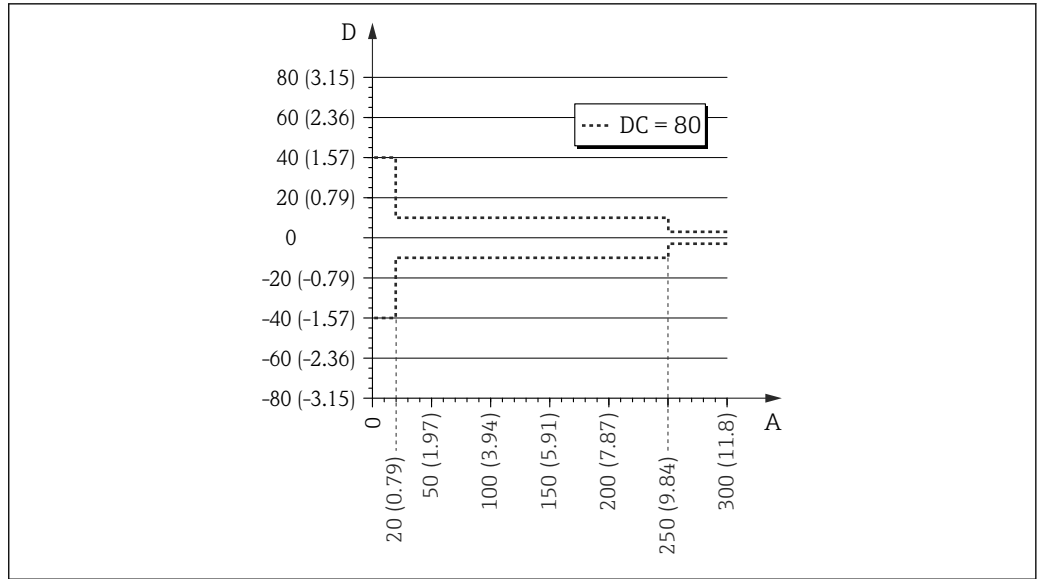
Differing from this, the following measuring error is present in the vicinity of the lower probe end:



17 Measuring error at the end-of-probe for rod and coax probes

A Distance from probe end [mm(in)]

D Measuring error: Sum of non-linearity, non-repeatability and hysteresis



A0021482

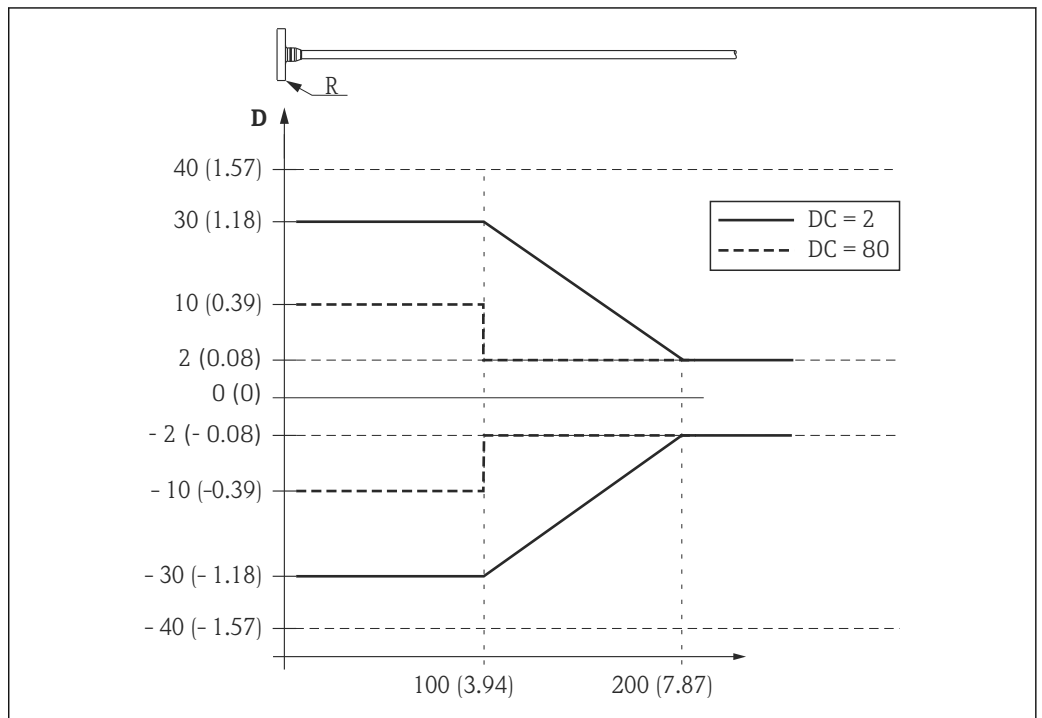
18 Measuring error at the end-of-probe for rope probes

A Distance from probe end

D Measuring error: Sum of non-linearity, non-repeatability and hysteresis

**i** If for rope probes the DC value is less than 7, then measurement is not possible in the area of the straining weight (0 to 250 mm from end of probe; lower blocking distance).

**In the area of the upper probe end, the measuring error is as follows (rod/rope only):**



A0015091

19 Measuring error at the upper end of the probe; dimensions: mm (in)

D Sum of non-linearity, non-repeatability and hysteresis

R Reference point of measurement

DC Dielectric constant

**Resolution**

- digital: 1 mm
- analog: 1  $\mu$ A

**Reaction time**

The reaction time can be parametrized. The following step response times (as per DIN EN IEC 61298-2 / DIN EN IEC 60770-1)<sup>2)</sup> are valid if the damping is switched off:

Level measurement		
Probe length	Sampling rate	Step response time
< 12 m (39 ft)	3.6 measurements/second	< 0.8 s

**Influence of ambient temperature**

The measurements are carried out in accordance with DIN EN IEC 61298-3 / DIN EN IEC 60770-1

- digital (HART, PROFIBUS PA, FOUNDATION Fieldbus): average  $T_K = 0.6 \text{ mm}/10 \text{ K}$   
For devices with remote sensor<sup>3)</sup> there is an additional offset of  $\pm 0.3 \text{ mm}/10\text{K}$  ( $\pm 0.01 \text{ in}/10\text{K}$ ) per 1 m (3.3 ft) of the remote cable.
- analog (current output):
  - zero point (4 mA): average  $T_K = 0.02 \text{ \%}/10 \text{ K}$
  - span (20 mA): average  $T_K = 0.05 \text{ \%}/10 \text{ K}$

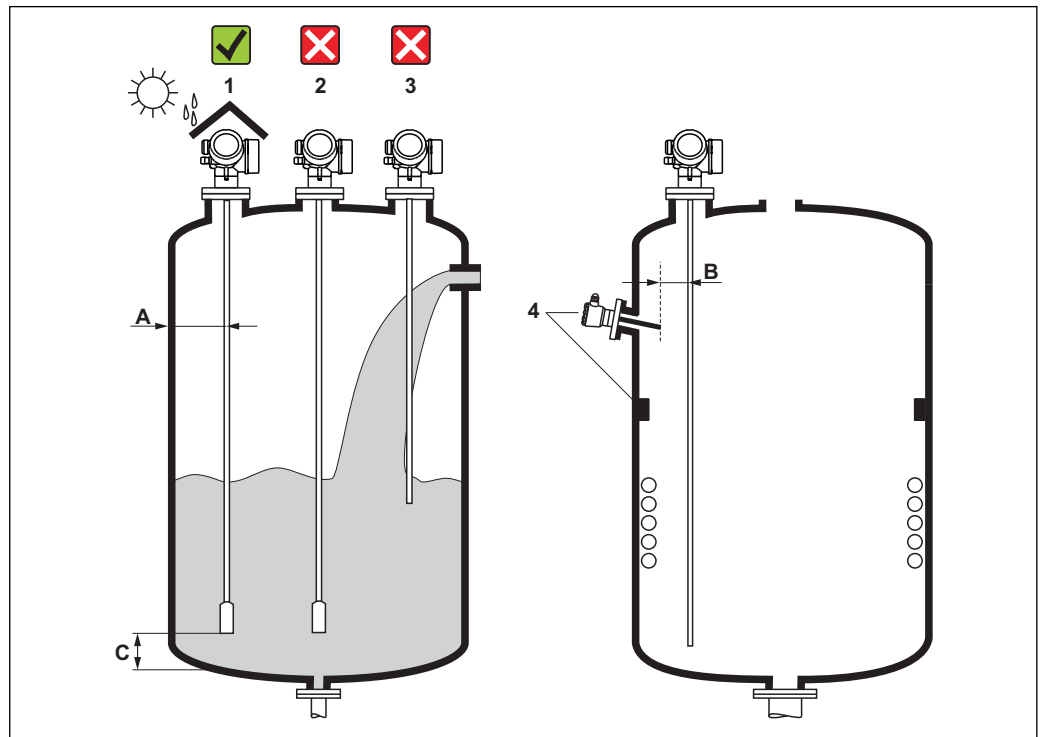
2) According to DIN EN IEC 61298-2 / DIN EN IEC 60770-1 the response time is the time which passes after a sudden change of the input signal until the output signal for the first time assumes 90% of the steady-state value.

3) Product structure: Feature 600, options MB, MC or MD)

## Mounting

### Mounting requirements

### Suitable mounting position



20 Mounting requirements for Levelflex

A0012606

### Mounting distances


- Distance (A) between wall and rod or rope probe:
  - for smooth metallic walls: > 50 mm (2 in)
  - for plastic walls: > 300 mm (12 in) to metallic parts outside the vessel
  - for concrete walls: > 500 mm (20 in), otherwise the available measuring range may be reduced.
- Distance (B) between rod or rope probe and internal fittings in the vessel: > 300 mm (12 in)
- When using more than one Levelflex:
  - Minimum distance between the sensor axes: 100 mm (3.94 in)
- Distance (C) from end of probe to bottom of the vessel:
  - Rope probe: > 150 mm (6 in)
  - Rod probe: > 10 mm (0.4 in)


*Additional conditions*

- When mounting in the open, a weather protection cover (1) may be installed to protect the device against extreme weather conditions.
- In metallic vessels: Preferably do not mount the probe in the center of the vessel (2), as this would lead to increased interference echoes.

If a central mounting position can not be avoided, it is crucial to perform an interference echo suppression(mapping) after the commissioning of the device.

- Do not mount the probe in the filling curtain (3).
- Avoid buckling the rope probe during installation or operation (e.g. through product movement against silo wall) by selecting a suitable mounting location.

 With suspended rope probes (probe end not fixed at the bottom) the distance between the probe rope and internal fittings in the tank must not fall below 300 mm (12") during the entire process. A sporadic contact between the probe weight and the cone of the vessel, however, does not influence the measurement as long as the dielectric constant of the medium is at least  $DC = 1.8$ .

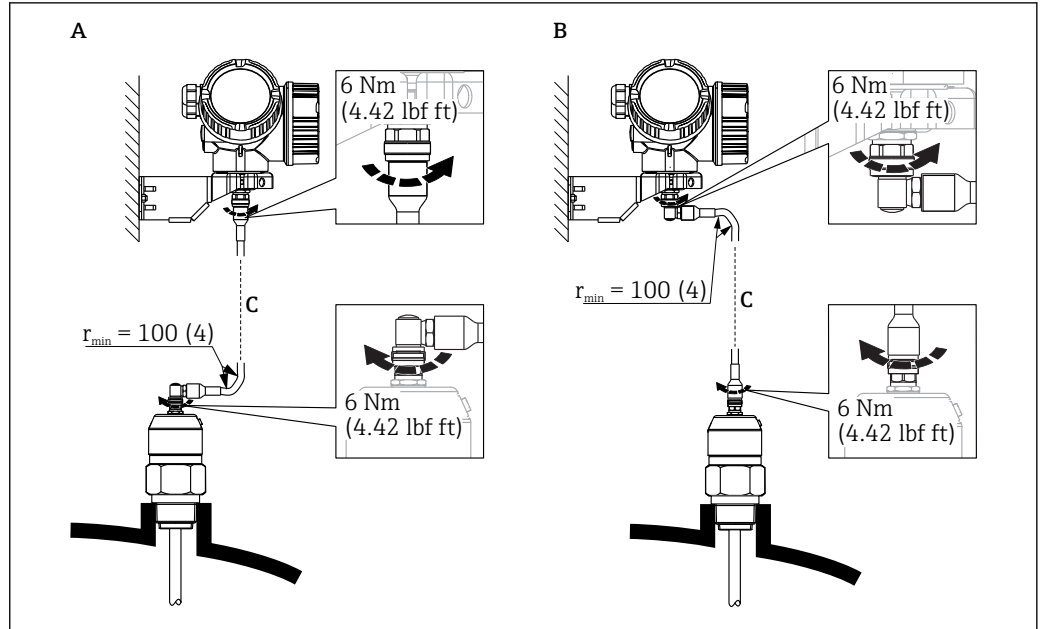
 When mounting the electronics housing into a recess (e.g. in a concrete ceiling), observe a minimum distance of 100 mm (4 inch) between the cover of the terminal compartment / electronics compartment and the wall. Otherwise the connection compartment / electronics compartment is not accessible after installation.



**Applications with restricted mounting space**

*Mounting with remote sensor*

The device version with a remote sensor is suited for applications with restricted mounting space. In this case the electronics housing is mounted at a separate position from which it is easier accessible.



- A Angled plug at the probe
- B Angled plug at the electronics housing
- C Length of the remote cable as ordered

- Product structure, feature 600 "Probe Design":
  - Option MB "Sensor remote, 3m/9ft cable"
  - Option MC "Sensor remote, 6m/18ft cable"
  - Option MB "Sensor remote, 9m/27ft cable"
- The remote cable is supplied with these device versions  
Minimum bending radius: 100 mm (4 inch)
- A mounting bracket for the electronics housing is supplied with these device versions. Mounting options:
  - Wall mounting
  - Pipe mounting; diameter: 42 to 60 mm (1-1/4 to 2 inch)
- The connection cable has got one straight and one angled plug (90°). Depending on the local conditions the angled plug can be connected at the probe or at the electronics housing.
- i** Probe, electronics and connection cable are adjusted to match each other. They are marked by a common serial number. Only components with the same serial number shall be connected to each other.

**Notes on the mechanical load of the probe**

*Tensile load limit of rope probes*

Sensor	Feature 060	Probe	Tensile load limit [kN]
FMP50	LA, LB	Rope 4mm (1/6") 316	2

*Bending strength of rod probes*

Sensor	Feature 060	Probe	Bending strength [Nm]
FMP50	AA, AB	Rod 8mm (1/3") 316L	10

*Bending load (torque) through fluid flow*

The formula for calculating the bending torque M impacting on the probe:

$$M = c_w \cdot \rho / 2 \cdot v^2 \cdot d \cdot L \cdot (L_N - 0.5 \cdot L)$$

with:

$c_w$ : Friction factor

$\rho$  [kg/m<sup>3</sup>]: Density of the medium

$v$  [m/s]: Velocity of the medium perpendicular to the probe rod

$d$  [m]: Diameter of the probe rod

$L$  [m]: Level

$L_N$  [m]: Probe length

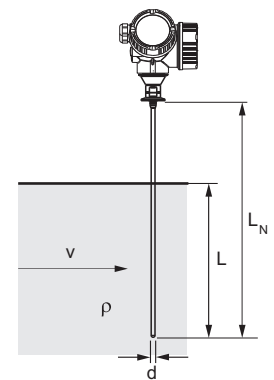
**Calculation example**

Friction factor  $c_w$  0,9 (on the assumption of a turbulent current - high Reynolds number)

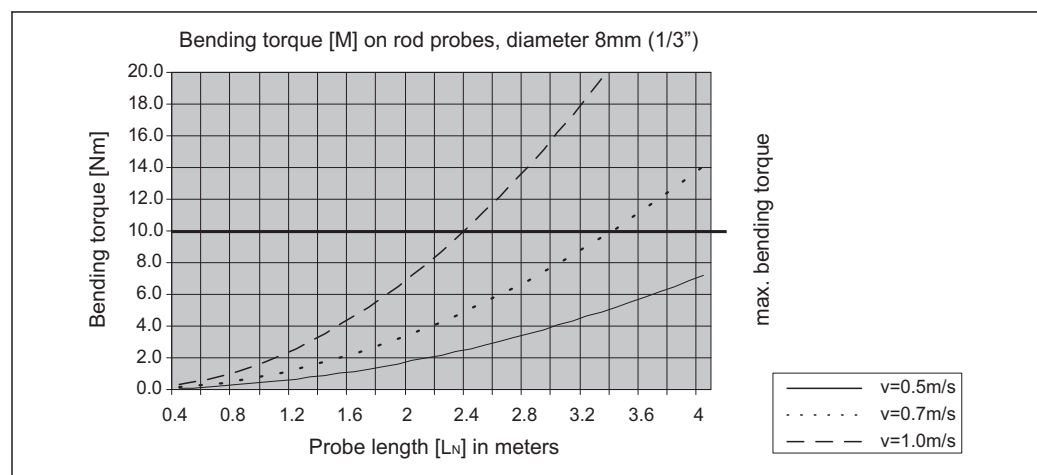
Density  $\rho$  [kg/m<sup>3</sup>] 1000 (e.g. water)

Probe diameter  $d$  [m] 0,008

$L = L_N$  (worst case)



A0014175

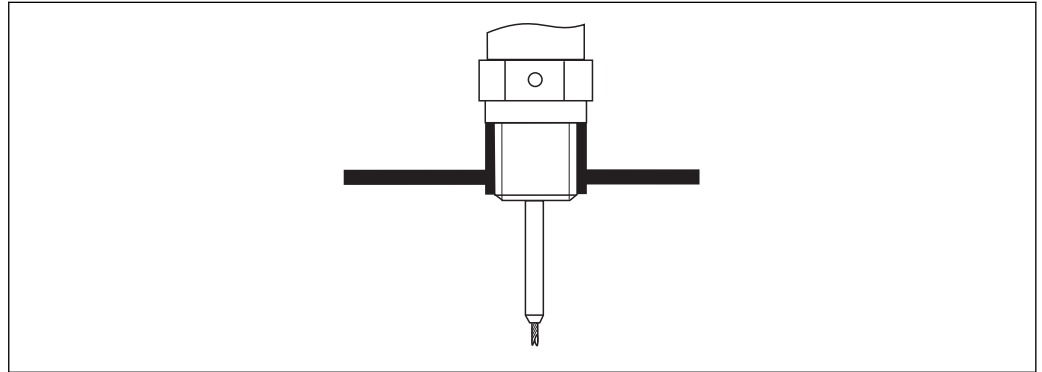


A0014182-EN

**Notes on the process connection**

Probes are mounted to the process connection with threaded connections or flanges. If during this installation there is the danger that the probe end moves so much that it touches the tank floor or cone at times, the probe must, if necessary, be shortened and fixed down → 46.

*Threaded connection*



21 *Mounting with threaded connection; flush with the container ceiling*

A0015121

*Seal*

The thread as well as the type of seal comply to DIN 3852 Part 1, screwed plug form A.

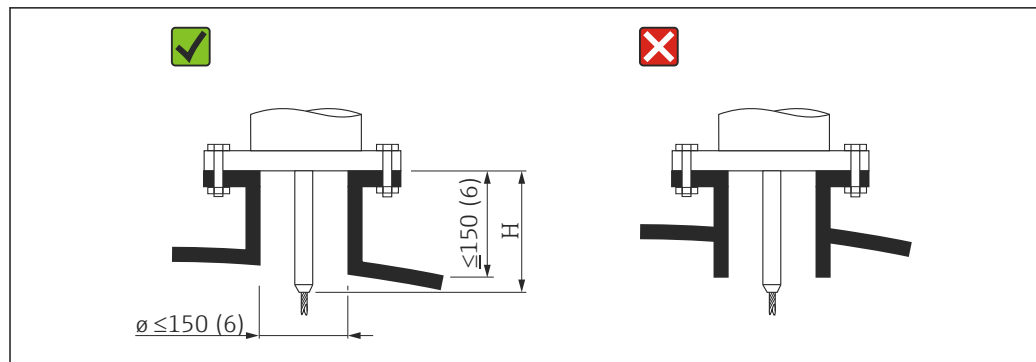
They can be sealed with the following types of sealing rings:

Thread G3/4": According to DIN 7603 with the dimensions 27 x 32 mm

Please use a sealing ring according to this standard in the form A, C or D and of a material that is resistant to the application.

**i** **For the length of the screwed plug refer to the dimensional drawing:**  
 FMP50: → 60

## Nozzle mounting



A0015122

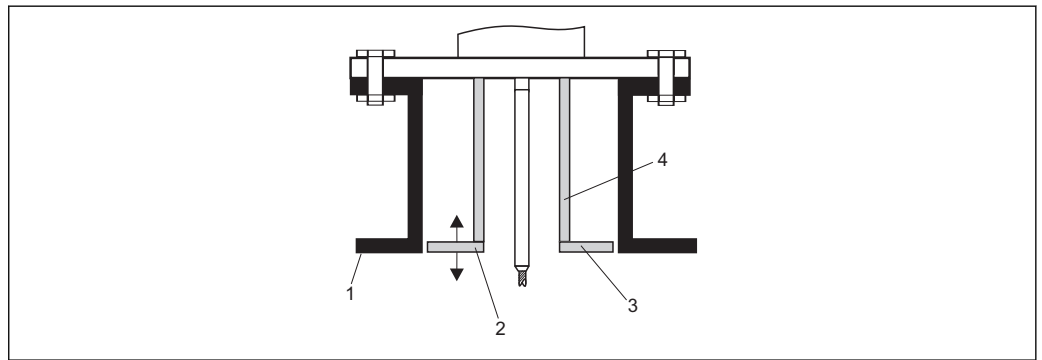
$H$  Length of the center rod or the rigid part of the rope probe

- Permissible nozzle diameter:  $\leq 150$  mm (6 in).  
For larger diameters the near range measuring capability may be reduced.  
For nozzles  $\geq \text{DN}300$ : → 45.
  - Permissible nozzle height<sup>4)</sup>:  $\leq 150$  mm (6 in).  
For a larger height the near range measuring capability may be reduced.
  - The end of the nozzle should be flush with the tank ceiling in order to avoid ringing effects.
- i** With thermally insulated vessels the nozzle should also be insulated in order to prevent condensate formation.

4) Larger nozzle heights on request

*Installation in nozzles  $\geq DN300$*

If installation in  $\geq 300\text{mm}/12''$  nozzles is unavoidable, installation must be carried out in accordance with the following sketch.



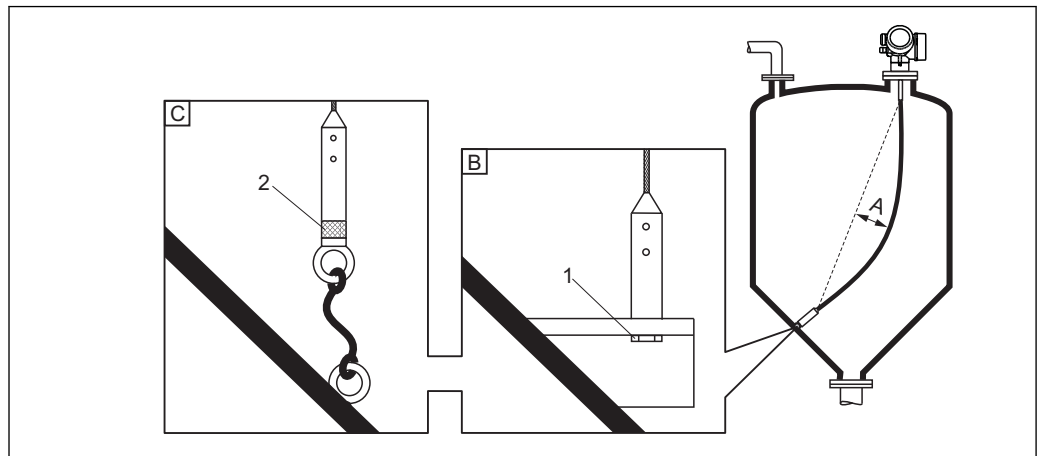
A0014199

- 1 Lower edge of the nozzle
- 2 Approx. flush with the lower edge of the nozzle ( $\pm 50\text{ mm}/2''$ )
- 3 Plate
- 4 Pipe  $\phi$  150 to 180 mm (6 to 7 inch)

Nozzle diameter	Plate diameter
300 mm (12'')	280 mm (11'')
$\geq 400\text{ mm}$ (16'')	$\geq 350\text{ mm}$ (14'')

## Securing the probe

### Securing rope probes



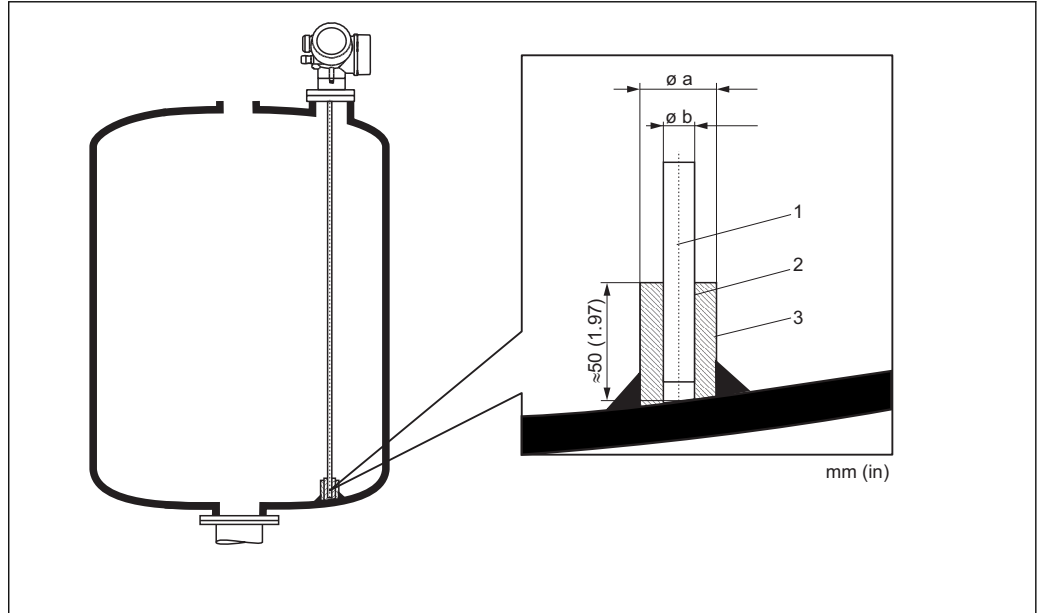
A0012609

- A Sag of the rope:  $\geq 1$  cm per 1m of the probe length (0.12 inch per 1 ft of the probe length)
- B Reliably grounded end of probe
- C Reliably isolated end of probe
- 1: Mounting and contact with a bolt
- 2 Mounting kit isolated

- The end of the probe needs to be secured under the following conditions:  
if otherwise the probe sporadically comes into contact with the wall of the vessel, the outlet cone, internal fittings or other parts of the installation.
- The end of probe can be secured at its internal thread  
rope 4 mm (1/6"), 316: M 14
- The fixing must be either reliably grounded or reliably insulated. If it is not possible to mount the probe weight with a reliably insulated connection, it can be secured using an isolated eyelet, which is available as an accessory.

*Securing rod probes*

- For WHG approvals: For probe lengths  $\geq 3$  m (10 ft) a support is required.
- In general, rod probes must be supported if there is a horizontal flow (e.g. from an agitator) or in the case of strong vibrations.
- Rod probes may only be supported at the end of the probe.



A0014127

- 1 Probe rod
- 2 Sleeve bored tight to ensure electrical contact between the rod and sleeve!
- 3 Short metal pipe, e.g. welded in place

$\phi$ probe	$\phi$ a [mm (inch)]	$\phi$ b [mm (inch)]
8 mm (1/3")	< 14 (0.55)	8.5 (0.34)

**NOTICE**

Poor grounding of the end of probe may cause measuring errors.

- ▶ Apply a narrow sleeve which has good electrical contact to the probe.

**NOTICE**

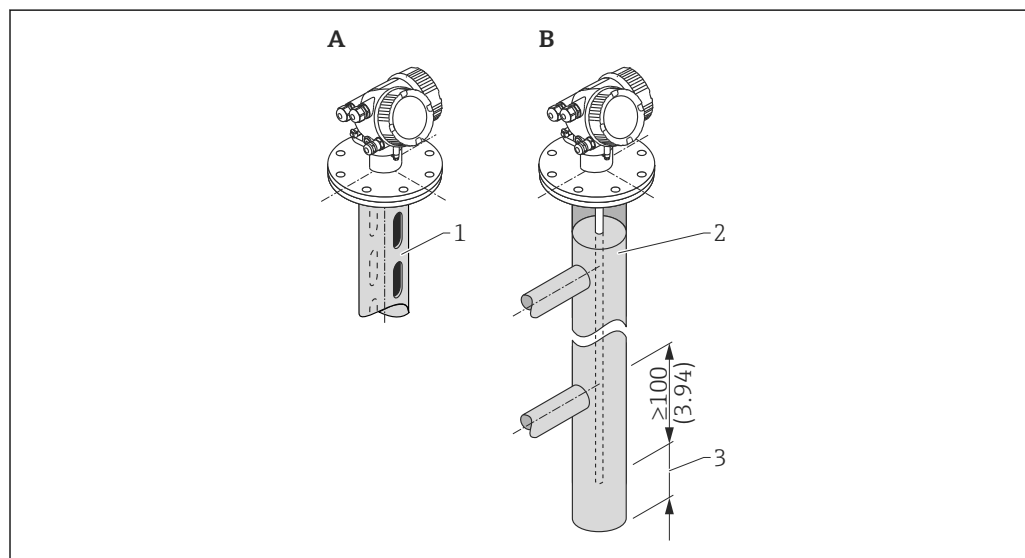
Welding may damage the main electronics module.

- ▶ Before welding: Ground the probe and dismount electronics.

**Special mounting conditions**

*Bypasses and stilling wells*

**i** In bypass and stilling well applications it is recommended to use a centering disks or stars.



A0014129

- 1 Mounting in a stilling well
- 2 Mounting in a bypass
- 3 Minimum distance between end of probe and lower edge of the bypass; see table below

*Minimum distance between end of probe and lower edge of the bypass*

Type of probe	Minimum distance
Rope	10 mm (0.4 in)
Rod	10 mm (0.4 in)
Coax	10 mm (0.4 in)

- Pipe diameter: > 40 mm (1.6") for rod probes
- Rod probe installation can take place up to a diameter size of 150 mm (6 in). In the event of larger diameters, FMP51 with a coax probe is recommended.
- Side disposals, holes or slits and welded joints that protrude up to approx. 5 mm (0.2") inwards do not influence the measurement.
- The pipe may not exhibit any steps in diameter.
- The probe must be 100 mm longer than the lower disposal.
- Within the measuring range, the probe must not get into contact with the pipe wall. If necessary, secure the probe by retaining or tensioning. All rope probes are prepared for tensioning in containers (tensioning weight with anchor hole).

**i** For bypasses with condensate formation (water) and a medium with low dielectric constant (e.g. hydrocarbons):

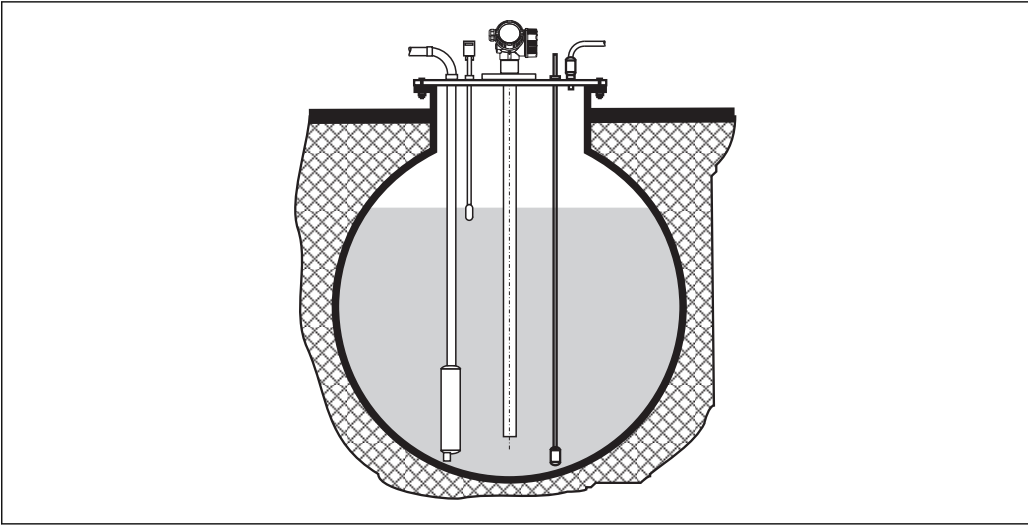
In the course of time the bypass is filled with condensate up to the lower disposal and for low levels the the level echo is superimposed by the condensate echo. Thus in this range the condensate level is measured instead of the correct level. Only higher levels are measured correctly. To prevent this, position the lower disposal 100 mm (4 in) below the lowest level to be measured and apply a metallic centering disk at the height of the lower edge of the lower disposal.

**i** With heat insulated tanks the bypass should also be insulated in order to prevent condensate formation.

**i** For information on bypass solutions from Endress+Hauser please contact your Endress+Hauser sales representative.

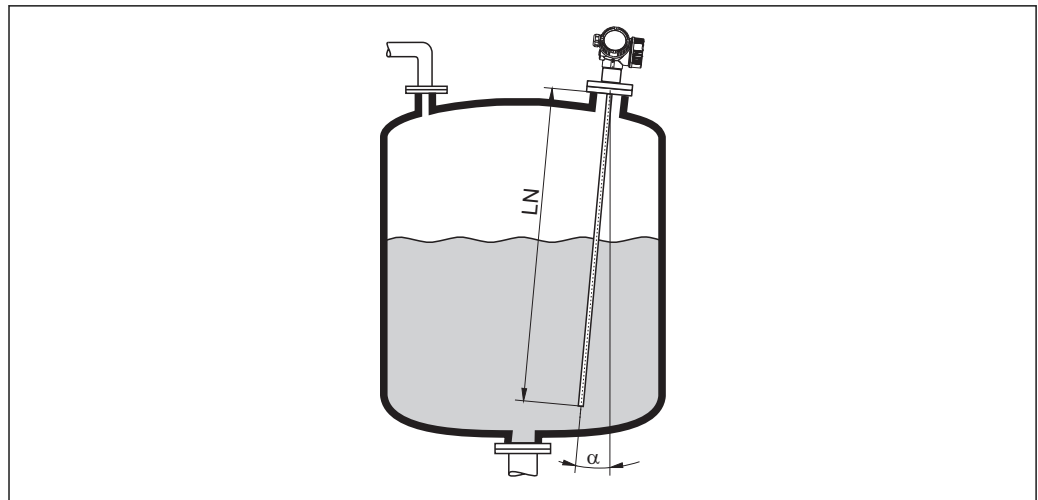


*Underground tanks*



A0014142

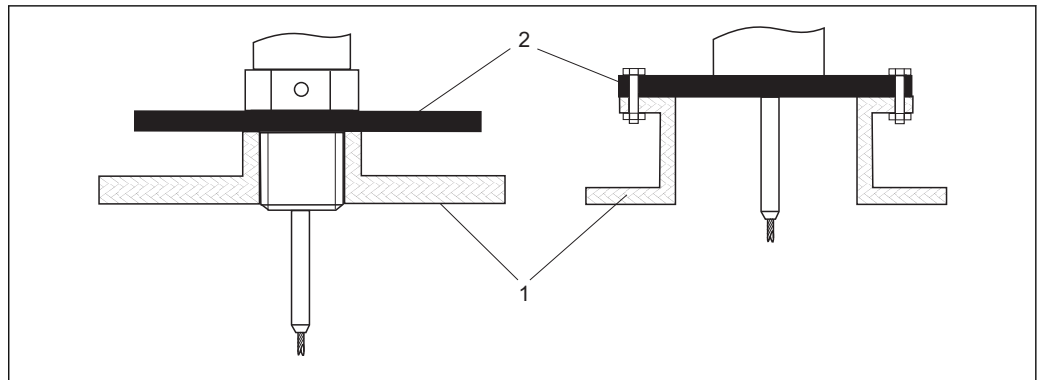
Use FMP51 with a coax probe for nozzles with large diameters in order to avoid reflections at the nozzle wall.

*Installation at an angle*

A0014145

- For mechanical reasons, the probe should be installed as vertically as possible.
- With inclined installations the probe length has to be adjusted in dependence to the installation angle.
  - Up to LN = 1 m (3.3 ft):  $\alpha = 30^\circ$
  - Up to LN = 2 m (6.6 ft):  $\alpha = 10^\circ$
  - Up to LN = 4 m (13.1 ft):  $\alpha = 5^\circ$

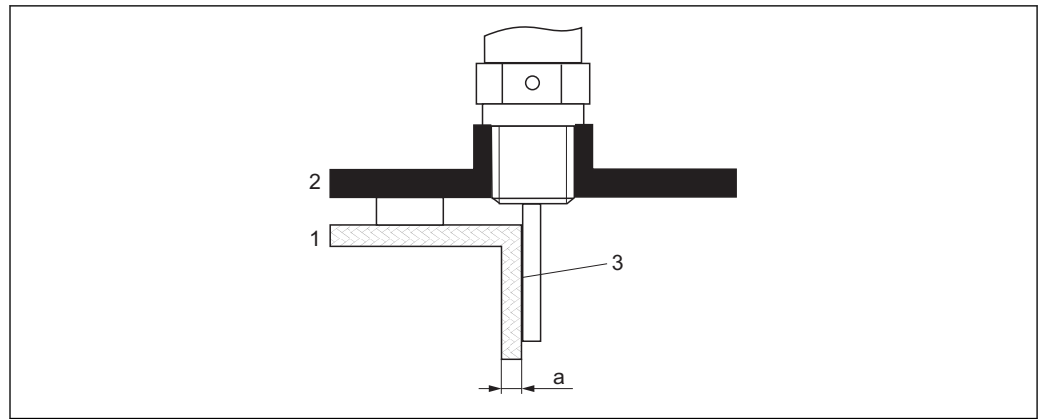
*Non-metallic vessels*



- 1 *Non-metallic vessel*
- 2 *Metal sheet or metal flange*

To ensure reliable measurements in non-metallic vessels mount a metal sheet with a diameter of at least 200 mm (8 in) to the probe at the process connection. Its orientation must be perpendicular to the probe.

*Plastic or glass tanks: Mounting the probe externally at the wall*



A0014150

- 1 Plastic or glass tank
- 2 Metall sheet with threaded sleeve
- 3 No free space between tank wall and probe!

#### **Requirements**

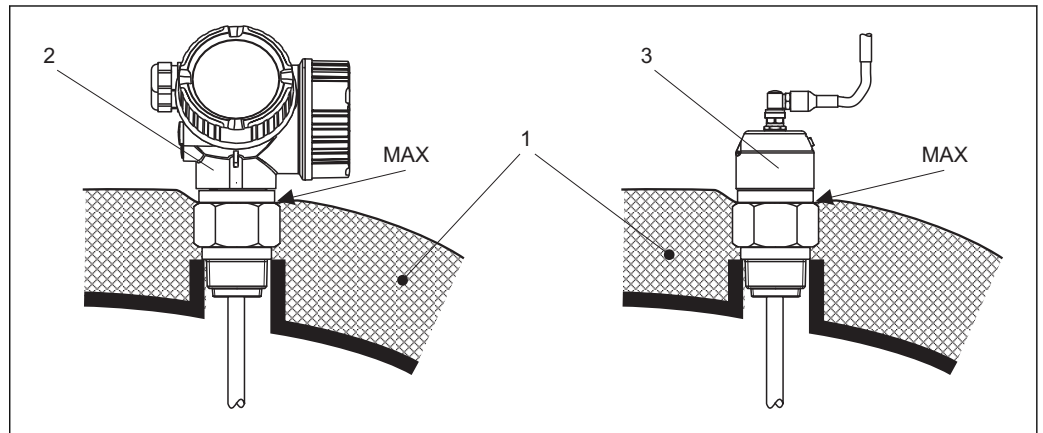
- The dielectric constant of the medium must be at least  $DC > 7$ .
- The tank wall must be non-conductive.
- Maximum wall thickness (a):
  - Plastic: < 15 mm (0.6")
  - Glass: < 10 mm (0.4")
- There may be no metallic reinforcements fixed to the tank.

#### **Mounting conditions:**

- The probe must be mounted directly to the tank wall (no open space)
- A plastic half pipe with a diameter of approx. 200 mm (8"), or some other protective unit, must be affixed externally to the probe to prevent any influences on the measurement.
- If the tank diameter is less than 300 mm (12"):
  - A metallic grounding sheet must be installed at the opposite side of the tank. The sheet must be conductively connected to the process connection and cover about the half of the vessel's circumference.
- If the tank diameter exceeds 300 mm (12"):
  - A metal sheet with a diameter of at least 200 mm (8") must be mounted to the probe at the process connection. Its orientation must be perpendicular to the probe (see above).

*Vessels with heat insulation*

**i** If process temperatures are high, the device must be included in normal tank insulation to prevent the electronics heating up as a result of heat radiation or convection. The insulation may not exceed beyond the points labeled "MAX" in the drawings.



A0014653

**22** Process connection with thread - FMP50

- 1 Tank insulation
- 2 Compact device
- 3 Sensor remote (feature 600)

## Operating conditions: Environment

<b>Ambient temperature range</b>	<b>Measuring device</b>	-20 to +80 °C (-4 to +176 °F)
	<b>Local display</b>	-20 to +70 °C (-4 to +158 °F), the readability of the display may be impaired at temperatures outside the temperature range.
	<b>Connection cable (for "Probe Design" = "Sensor remote")</b>	max. 100 °C (212 °F)
	<b>Remote display FHX50</b>	-40 to 80 °C (-40 to 176 °F)
	<b>Remote display FHX50 (option)</b>	-50 to 80 °C (-58 to 176 °F) <sup>1)</sup>

- 1) This range is valid if option JN "Ambient temperature transmitter -50 °C (-58 °F)" has been selected in ordering feature 580 "Test, Certificate". If the temperature is permanently below -40 °C (-40 °F), failure rates may be increased.

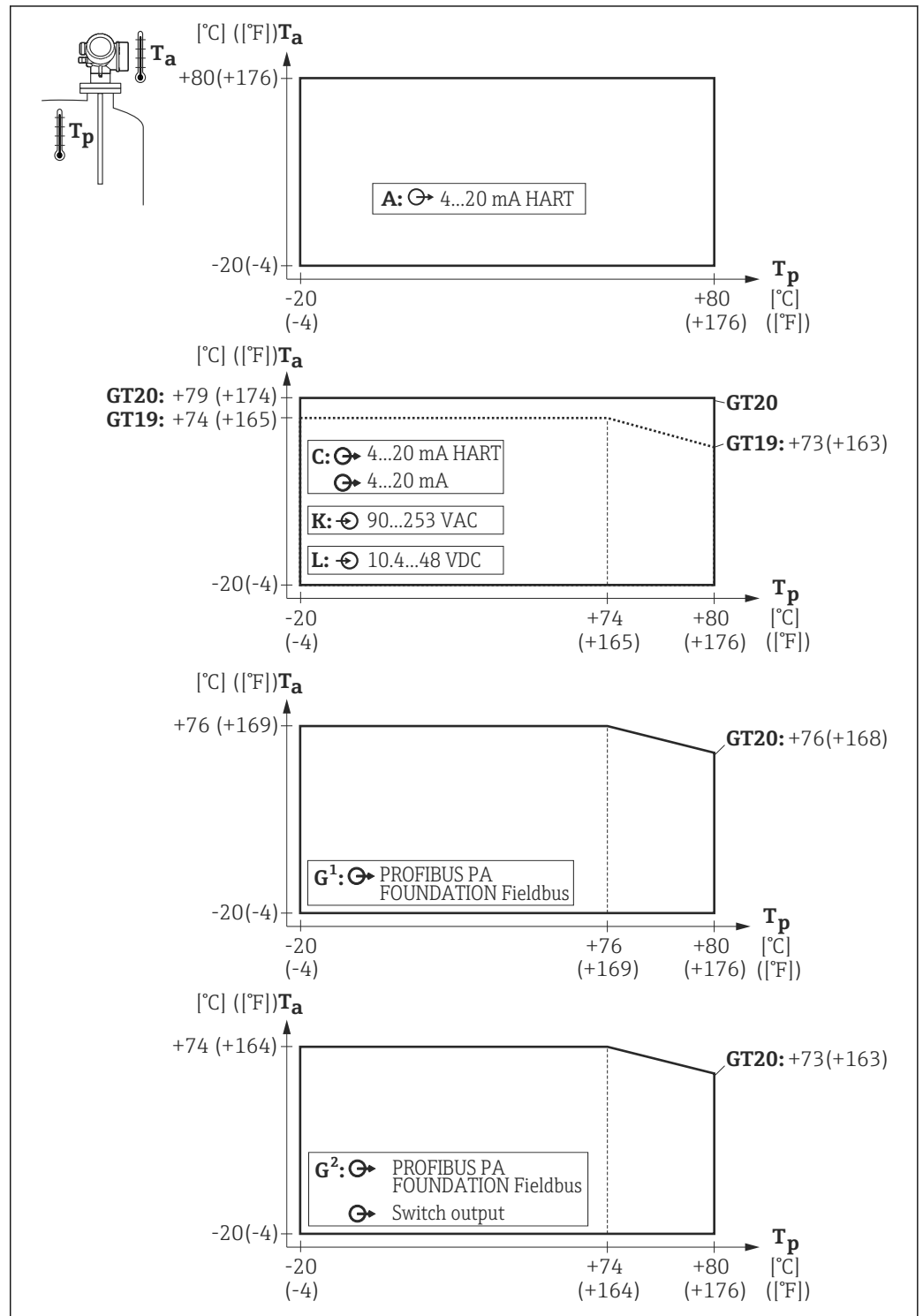
When operating the device in the open with strong sunlight:

- Mount the device in a shady position.
- Avoid direct sunlight, especially in warmer regions.
- Use a weather protection cover (see accessories).

**Ambient temperature limits** The following diagrams take into account only function requirements. There may be further restrictions for certified device versions. Please refer to the separate Safety Instructions.

With a temperature ( $T_p$ ) at the process connection the admissible ambient temperature ( $T_a$ ) is reduced according to the following diagram (temperature derating):

Temperature derating for FMP50 with threaded connection  $G\frac{3}{4}$  or  $NPT\frac{3}{4}$




GT19 = plastic housing  
GT20 = aluminum housing

A = 1 current output  
C = 2 current outputs  
G<sup>1</sup>, G<sup>2</sup> = PROFIBUS PA<sup>1)</sup>  
K, L = 4-wire

$T_a$  = ambient temperature  
 $T_p$  = temperature at the process connection

1) For PROFIBUS PA and FOUNDATION Fieldbus the temperature derating depends on the usage of the switch output. (G<sup>1</sup>: switch output not connected; G<sup>2</sup>: switch output connected).

<b>Storage temperature</b>	-40 to +80 °C (-40 to +176 °F)
<b>Climate class</b>	DIN EN 60068-2-38 (test Z/AD)
<b>Altitude according to IEC61010-1 Ed.3</b>	<ul style="list-style-type: none"> <li>■ Generally up to 2 000 m (6 600 ft) above MSL.</li> <li>■ Above 2 000 m (6 600 ft) if the following conditions are met: <ul style="list-style-type: none"> <li>- Ordering feature 020 "Power supply; Output" = A, B, C, E or G (2-wire versions)</li> <li>- Supply voltage <math>U &lt; 35</math> V</li> <li>- Supply voltage of overvoltage category 1</li> </ul> </li> </ul>
<b>Degree of protection</b>	<ul style="list-style-type: none"> <li>■ With closed housing tested according to: <ul style="list-style-type: none"> <li>- IP68, NEMA6P (24 h at 1.83 m under water surface) <sup>5)</sup></li> <li>- For plastic housing with transparent cover (display module): IP68 (24 h at 1.00 m under water surface) <sup>6)</sup></li> <li>- IP66, NEMA4X</li> </ul> </li> <li>■ With open housing: IP20, NEMA1</li> <li>■ Display module: IP22, NEMA2</li> </ul> <p> Degree of protection IP68 NEMA6P applies for M12 PROFIBUS PA plugs only when the PROFIBUS cable is plugged in and is also rated IP68 NEMA6P.</p>
<b>Vibration resistance</b>	DIN EN 60068-2-64 / IEC 60068-2-64: 20 to 2 000 Hz, 1 (m/s <sup>2</sup> )/Hz
<b>Cleaning the probe</b>	Depending on the application, contamination or buildup can accumulate on the probe. A thin, even layer only influences measurement slightly. Thick layers can dampen the signal and then reduce the measuring range. Severe, uneven buildup, adhesion e.g. through crystallization, can lead to incorrect measurement. In this case, we recommend that you use a non-contact measuring principle, or check the probe regularly for soiling.
<b>Electromagnetic compatibility (EMC)</b>	<p>Electromagnetic compatibility to all relevant requirements of the EN 61326- series and NAMUR recommendation EMC (NE21). For details see declaration of conformity <sup>7)</sup>. If only the analogue signal is used, unshielded interconnection lines are sufficient for the installation. In case of using the digital signal (HART/ PA/ FF) use shielded interconnection lines.</p> <p>Use a shielded cable when working with a digital communications signal.</p> <p>Max. fluctuations during EMC- tests: &lt; 0.5 % of the span.</p> <p>When installing the probes in metal and concrete tanks and when using a coax probe:</p> <ul style="list-style-type: none"> <li>■ Interference emission to EN 61326 - x series, electrical equipment Class B.</li> <li>■ Interference immunity to EN 61326 - x series, requirements for industrial areas and NAMUR Recommendation NE 21 (EMC)</li> </ul> <p>The measured value can be affected by strong electromagnetic fields when installing rod and rope probes without a shielding/metallic wall, e.g. in plastic and wooden silos.</p> <ul style="list-style-type: none"> <li>■ Interference emission to EN 61326 - x series, electrical equipment Class A.</li> <li>■ Interference immunity: the measured value can be affected by strong electromagnetic fields.</li> </ul>

5) also valid for the "Sensor remote" version

6) This restriction is valid if the following options of the product structure have been selected at the same time: 030 ("Display, Operation") = C ("SD02") or E ("SD03"); 040 ("Housing") = A ("GT19").

7) Can be downloaded from [www.endress.com](http://www.endress.com).



## Process

**Process temperature range** The maximum permitted temperature at the process connection is determined by the O-ring version ordered:

Device	O-ring material	Process temperature
FMP50	FKM (Viton GLT)	-20 to +80 °C (-4 to 176 °F)

**Process pressure range**

Device	Process pressure
FMP50	-1 to 6 bar (-14.5 to 87 psi)

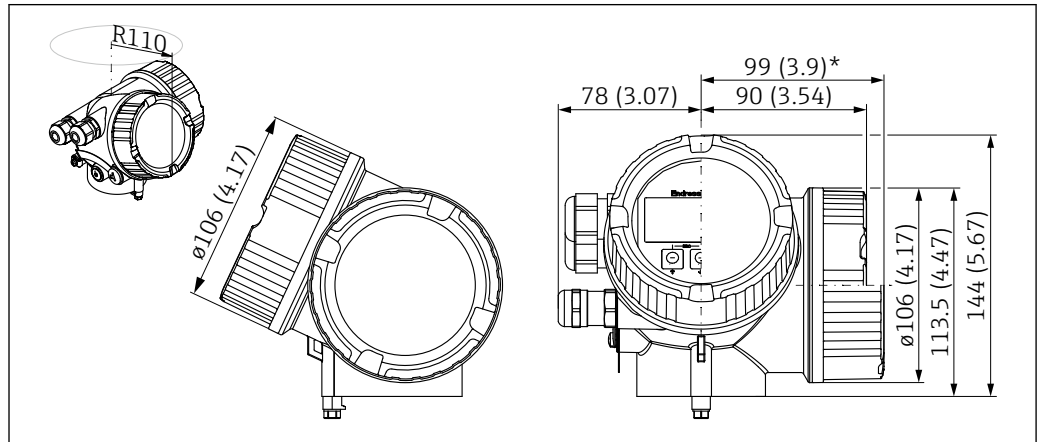
**Dielectric constant (DC)** Rod and rope probe: DC ( $\epsilon_r$ )  $\geq$  1.6

**Expansion of the rope probes through temperature** Elongation through temperature increase from 30 °C (86 °F) to 80 °C (176 °F): 1 mm / m rope length

## Mechanical construction

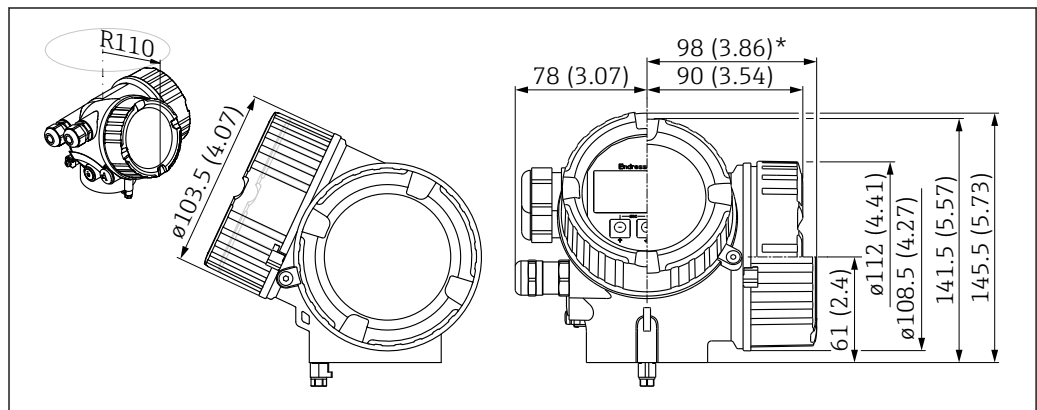
### Dimensions

### Dimensions of the electronics housing



23 Housing GT19 (Plastics PBT); Dimensions in mm (in)

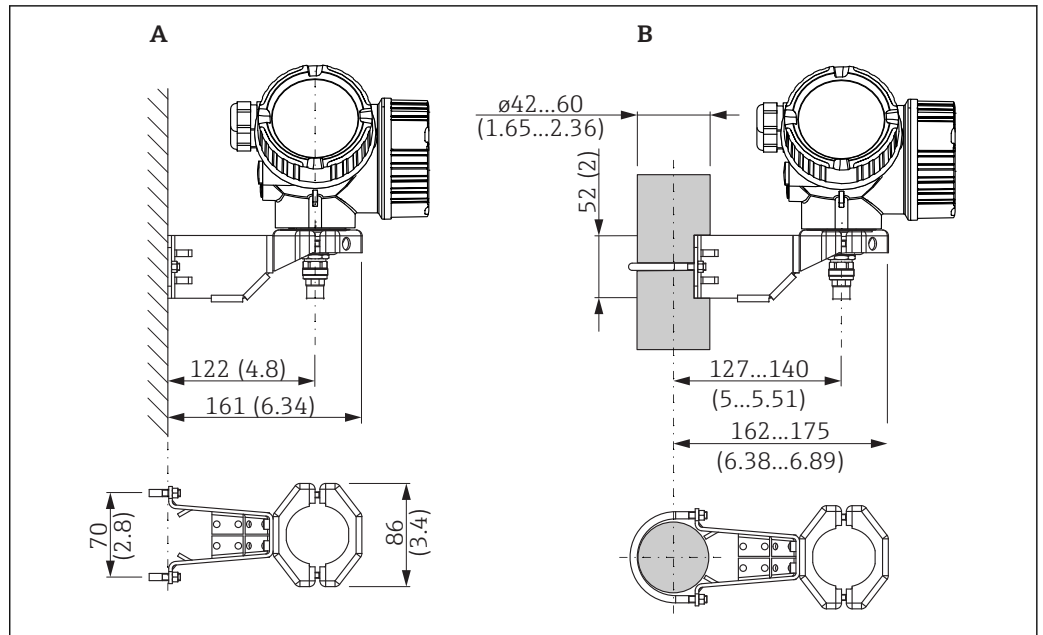
\*for devices with integrated overvoltage protection.



24 Housing GT20 (Alu coated); Dimensions in mm (in)

\*for devices with integrated overvoltage protection.

Dimensions of the mounting bracket

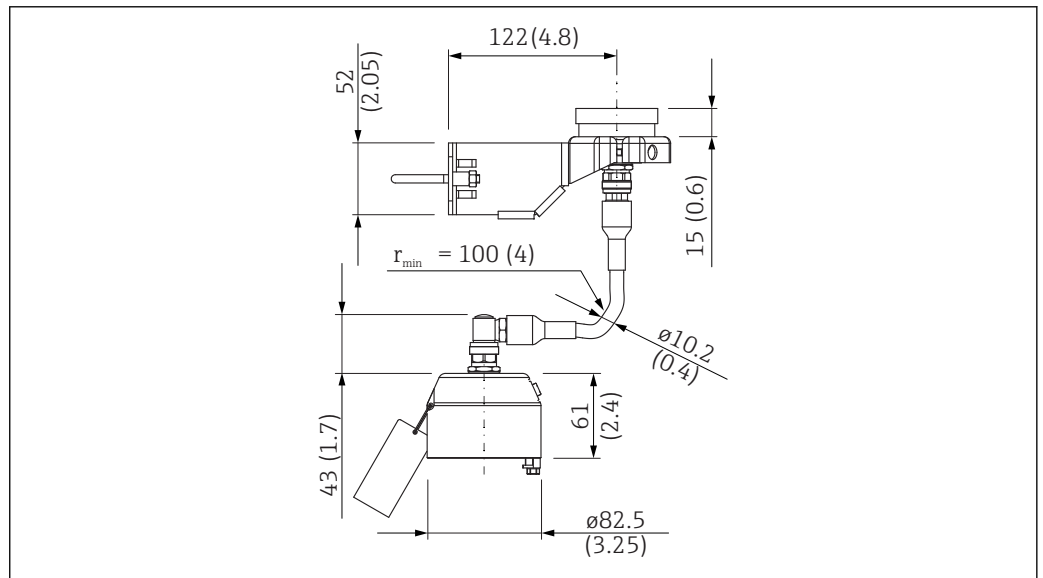


25 Mounting bracket for the electronics housing. Unit of measurement mm (in)

- A Wall mounting
- B Pipe mounting

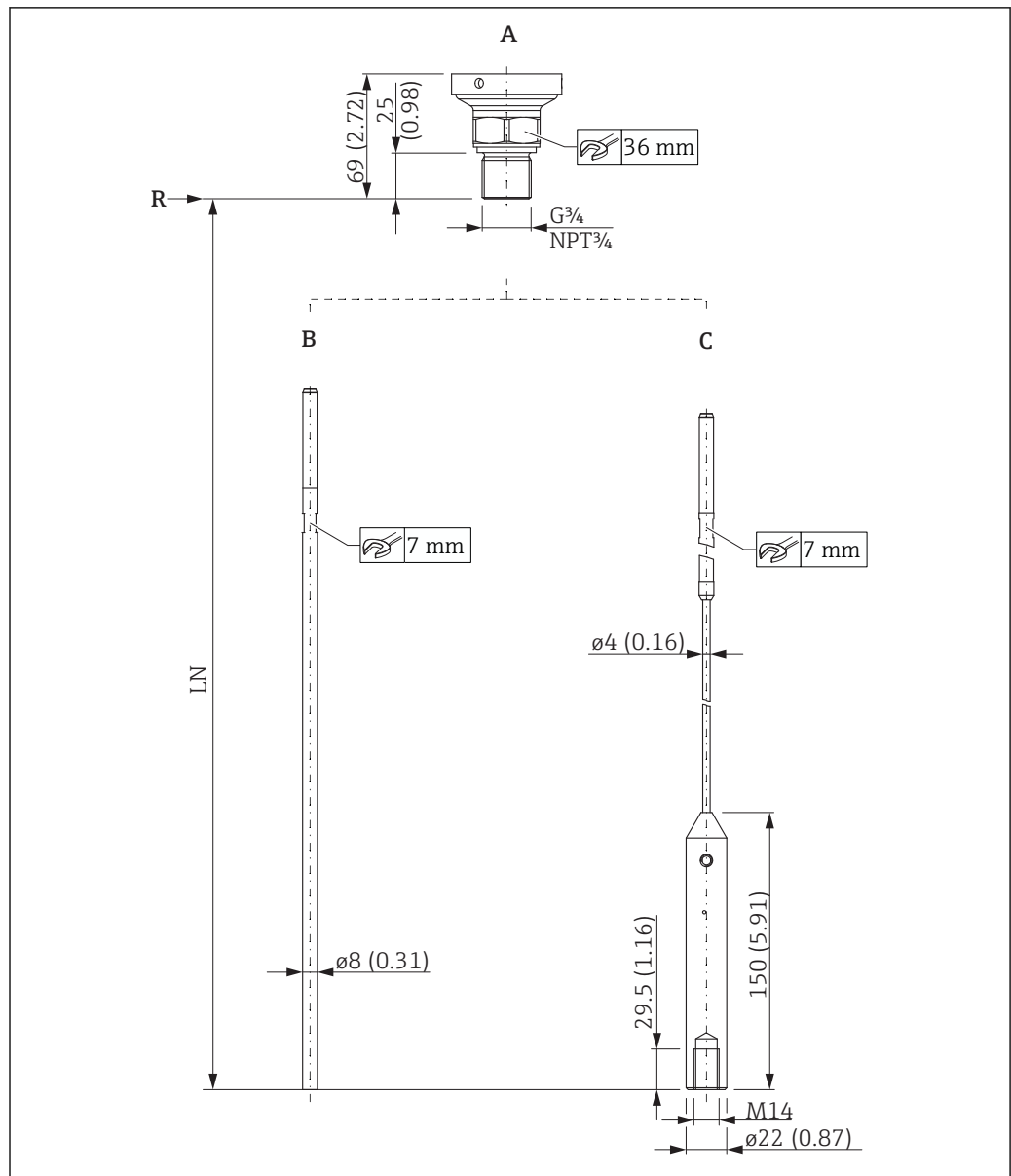
**i** For the "Sensor remote" device version (see feature 060 of the product structure), the mounting bracket is part of the delivery. If required, it can also be ordered as an accessory (order code 71102216).

Dimensions of the connection piece for the remote probe



26 Connection piece for the remote probe; Length of the connecting cable: as ordered. Unit of measurement mm (in)

FMP50 : Dimensions of process connection and probe



A0012644

27 FMP50: Process connection / probe. Unit of measurement mm (in)

A Thread ISO228 G3/4 or ANSI MNPT3/4 (Feature 100)

B Rod probe 8mm or 1/3" (Feature 060)

C Rope probe 4mm or 1/6" (Feature 060)

LN Length of probe

R Reference point of the measurement

**Tolerance of probe length**

Rod probes				
Over [m (ft)]	–	1 (3,3)	3 (9,8)	6 (20)
Up to [m (ft)]	1 (3,3)	3 (9,8)	6 (20)	–
Admissible tolerance [mm (in)]	-5 (-0,2)	-10 (-0,39)	-20 (-0,79)	-30 (-1,18)

Rope probes				
Over [m (ft)]	–	1 (3,3)	3 (9,8)	6 (20)
Up to [m (ft)]	1 (3,3)	3 (9,8)	6 (20)	–
Admissible tolerance [mm (in)]	-10 (-0,39)	-20 (-0,79)	-30 (-1,18)	-40 (-1,57)

**Shortening probes**

If necessary, probes can be shortened. When doing so, the following must be observed:

**Shortening rod probes**

Rod probes must be shortened if the distance to the container floor or outlet cone is less than 10 mm (0.4 in). The rods of a rod probe are shortened by sawing at the bottom end.



Rod probes of FMP52 can **not** be shortened as they are coated.

**Shortening rope probes**

Rope probes must be shortened if the distance to the container floor or outlet cone is less than 150 mm (6 in).

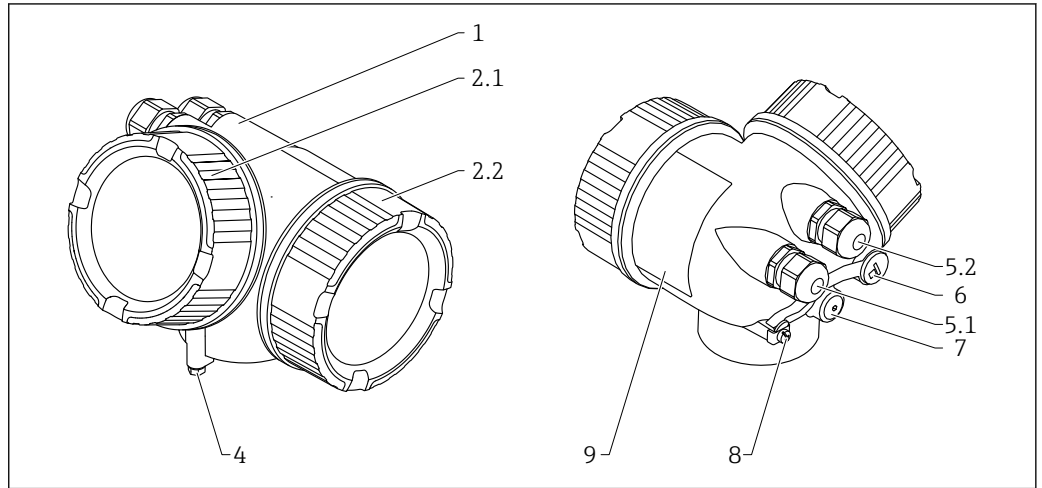
**Weight***Housing*

<b>Part</b>	<b>Weight</b>
Housing GT19 - plastic	approx. 1.2 kg
Housing GT20 - aluminium	approx. 1.9 kg

*FMP50*

<b>Part</b>	<b>Weight</b>	<b>Part</b>	<b>Weight</b>
Sensor	approx. 0.25 kg	Rope probe 4 mm	approx. 0.1 kg/m probe length
		Rod probe 8 mm	approx. 0.4 kg/m probe length

**Materials: GT19 housing (plastic)**

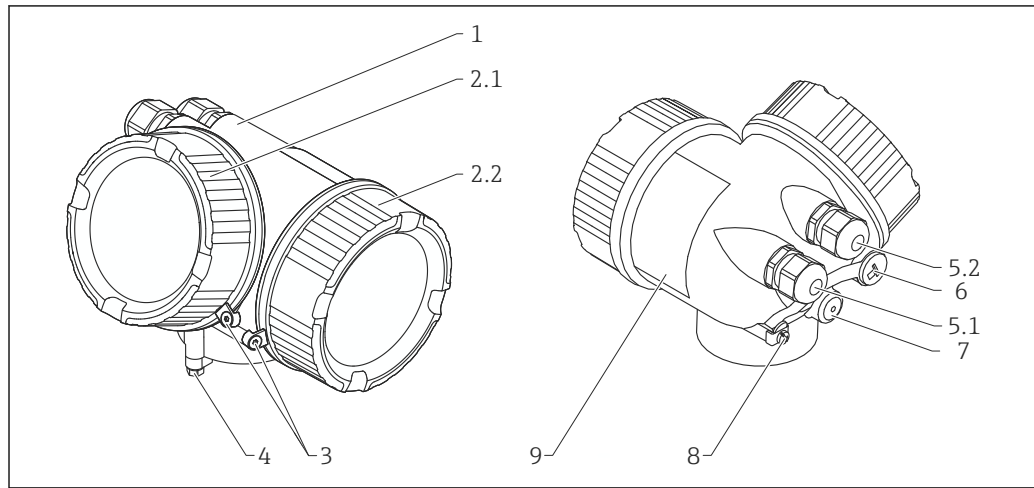


A0013788

No.	Part	Material
1	Housing	PBT
2.1	Cover of the electronics compartment	<ul style="list-style-type: none"> <li>▪ Cover glass: PC</li> <li>▪ Cover frame: PBT-PC</li> <li>▪ Cover seal: EPDM</li> <li>▪ Thread-coating: Graphite-based lubricant varnish</li> </ul>
2.2	Cover of the terminal compartment	<ul style="list-style-type: none"> <li>▪ Cover: PBT</li> <li>▪ Cover seal: EPDM</li> <li>▪ Thread-coating: Graphite-based lubricant varnish</li> </ul>
4	Lock at the housing neck	<ul style="list-style-type: none"> <li>▪ Screw: A4-70</li> <li>▪ Clamp: 316L (1.4404)</li> </ul>
5.1	Dummy plug, cable gland, adapter or plug (depending on the device version)	<ul style="list-style-type: none"> <li>▪ Dummy plug, depending on the device version:                             <ul style="list-style-type: none"> <li>- PE</li> <li>- PBT-GF</li> </ul> </li> <li>▪ Cable gland, depending on the device version:                             <ul style="list-style-type: none"> <li>- Nickel-plated brass (CuZn)</li> <li>- PA</li> </ul> </li> <li>▪ Adapter: 316L (1.4404/1.4435)</li> <li>▪ Seal: EPDM</li> <li>▪ M12 plug: Nickel-plated brass <sup>1)</sup></li> <li>▪ 7/8" plug: 316 (1.4401) <sup>2)</sup></li> </ul>
5.2	Dummy plug, cable gland or adapter (depending on the device version)	<ul style="list-style-type: none"> <li>▪ Dummy plug, depending on the device version:                             <ul style="list-style-type: none"> <li>- PE</li> <li>- PBT-GF</li> <li>- Nickel-plated steel</li> </ul> </li> <li>▪ Cable gland, depending on the device version:                             <ul style="list-style-type: none"> <li>- Nickel-plated brass (CuZn)</li> <li>- PA</li> </ul> </li> <li>▪ Adapter: 316L (1.4404/1.4435)</li> <li>▪ Seal: EPDM</li> </ul>
6	Dummy plug or M12 socket (depending on the device version)	<ul style="list-style-type: none"> <li>▪ Dummy plug: Nickel-plated brass (CuZn)</li> <li>▪ M12 socket: Nickel-plated GD-Zn</li> </ul>
7	Pressure relief stopper	Nickel-plated brass (CuZn)
8	Ground terminal	<ul style="list-style-type: none"> <li>▪ Screw: A2</li> <li>▪ Spring washer: A4</li> <li>▪ Clamp: 304 (1.4301)</li> <li>▪ Holder: 304 (1.4301)</li> </ul>
9	Adhesive nameplate	Plastic

1) For the version with M12 plug the sealing material is Viton.  
 2) For the version with 7/8" plug, the sealing material is NBR.

**Materials: GT20 housing  
(die-cast aluminum, powder-coated)**



A0036037

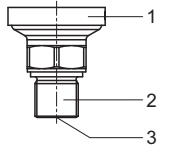
Nr.	Part	Material
1	Housing, RAL 5012 (blue)	<ul style="list-style-type: none"> <li>■ Housing: AlSi10Mg(&lt;0,1% Cu)</li> <li>■ Coating: Polyester</li> </ul>
2.1	Cover of the electronics compartment; RAL 7035 (gray)	<ul style="list-style-type: none"> <li>■ Cover: AlSi10Mg(&lt;0,1% Cu)</li> <li>■ Window: Glass</li> <li>■ Cover seal: NBR</li> <li>■ Seal of the window: NBR</li> <li>■ Thread-coating: Graphite-based lubricant varnish</li> </ul>
2.2	Cover of the terminal compartment; RAL 7035 (gray)	<ul style="list-style-type: none"> <li>■ Cover: AlSi10Mg(&lt;0,1% Cu)</li> <li>■ Cover seal: NBR</li> <li>■ Thread-coating: Graphite-based lubricant varnish</li> </ul>
3	Cover lock	<ul style="list-style-type: none"> <li>■ Screw: A4</li> <li>■ Clamp: 316L (1.4404)</li> </ul>
4	Lock at the housing neck	<ul style="list-style-type: none"> <li>■ Screw: A4-70</li> <li>■ Clamp: 316L (1.4404)</li> </ul>
5.1	Dummy plug, cable gland, adapter or plug (depending on the device version)	<ul style="list-style-type: none"> <li>■ Dummy plug, depending on the device version:                             <ul style="list-style-type: none"> <li>- PE</li> <li>- PBT-GF</li> </ul> </li> <li>■ Cable gland, depending on the device version:                             <ul style="list-style-type: none"> <li>- Nickel-plated brass (CuZn)</li> <li>- PA</li> </ul> </li> <li>■ Adapter: 316L (1.4404/1.4435)</li> <li>■ Seal: EPDM</li> <li>■ M12 plug: Nickel-plated brass <sup>1)</sup></li> <li>■ 7/8" plug: 316 (1.4401) <sup>2)</sup></li> </ul>
5.2	Dummy plug, cable gland or adapter (depending on the device version)	<ul style="list-style-type: none"> <li>■ Dummy plug, depending on the device version:                             <ul style="list-style-type: none"> <li>- PE</li> <li>- PBT-GF</li> <li>- Nickel-plated steel</li> </ul> </li> <li>■ Cable gland, depending on the device version:                             <ul style="list-style-type: none"> <li>- Nickel-plated brass (CuZn)</li> <li>- PA</li> </ul> </li> <li>■ Adapter: 316L (1.4404/1.4435)</li> <li>■ Seal: EPDM</li> </ul>
6	Dummy plug or M12 socket (depending on the device version)	<ul style="list-style-type: none"> <li>■ Dummy plug : Nickel-plated brass (CuZn)</li> <li>■ M12 socket: Nickel-plated GD-Zn</li> </ul>
7	Pressure relief stopper	Nickel-plated brass (CuZn)


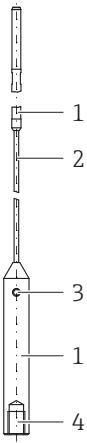


Nr.	Part	Material
8	Ground terminal	<ul style="list-style-type: none"> <li>▪ Screw: A2</li> <li>▪ Spring washer: A2</li> <li>▪ Clamp: 304 (1.4301)</li> <li>▪ Holder: 304 (1.4301)</li> </ul>
9	Adhesive nameplate	Plastic

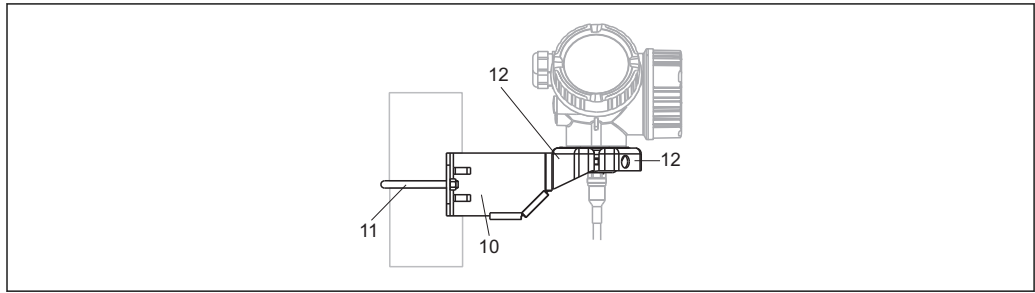
- 1) For the version with M12 plug the sealing material is Viton.
- 2) For the version with 7/8" plug, the sealing material is NBR.

**Materials: Process connection**

Levelflex FMP50		
Threaded connection	No.	Material
 <p style="text-align: center; font-size: small;">A0013834</p>	1	PPS-GF40
	2	316L (1.4404)
	3	PPS-GF40

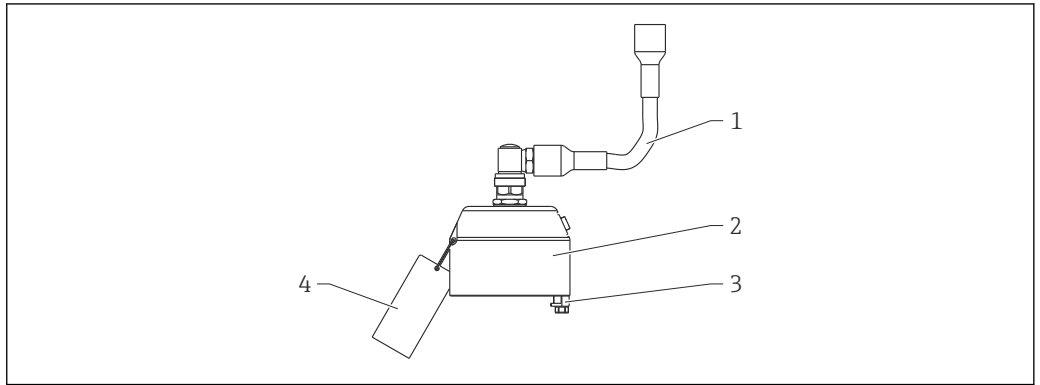
Levelflex FMP50			
Feature 060 "Probe"		Pos.	Material
<ul style="list-style-type: none"> <li>■ AA: rod 8mm</li> <li>■ AB: rod 1/3"</li> </ul>	<ul style="list-style-type: none"> <li>■ LA: rope 4mm</li> <li>■ LB: rope 1/6"</li> </ul>		
 <p style="text-align: right; font-size: small;">A0036583</p>	 <p style="text-align: right; font-size: small;">A0036584</p>	1	316L (1.4404)
		2	316 (1.4401)
		3	Set screw: A4-70
		4	Screw for tightening: A2-70

Materials: Mounting bracket



Mounting bracket for version "Sensor remote"		
Position	Part	Material
10	Bracket	316L (1.4404)
11	Bracket	316Ti (1.4571)
	Screw/nuts	A4-70
	Distance sleeves	316Ti (1.4571) or 316L (1.4404)
12	Half-shells	316L (1.4404)

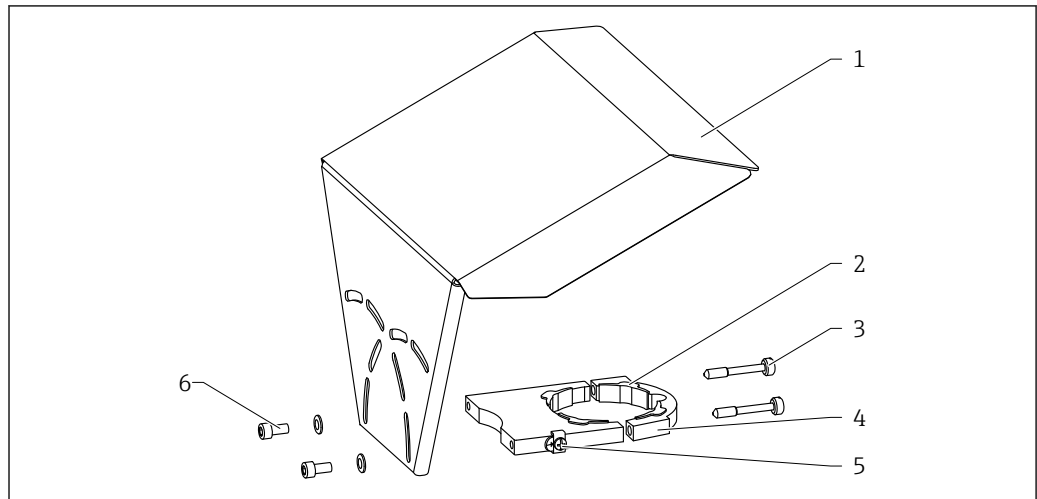
**Materials: Adapter and cable for remote sensor**



A0021722

Adapter and cable for version "Sensor remote"		
Position	Part	Material
1	Cable	FRNC
2	Sensor adapter	304 (1.4301)
3	Clamp	316L (1.4404)
	Screw	A4-70
4	Loop	316 (1.4401)
	Crimp sleeve	Aluminum
	Nameplate	304 (1.4301)

**Materials: Weather protection cover**



A0015473

No	Part: Material
1	Protection cover: 316L (1.4404)
2	Molded rubber part (4x): EPDM
3	Clamping screw: 316L (1.4404) + carbon fibre
4	Bracket: 316L (1.4404)
5	Ground terminal <ul style="list-style-type: none"> <li>▪ Screw: A4</li> <li>▪ Spring washer: A4</li> <li>▪ Clamp: 316L (1.4404)</li> <li>▪ Holder: 316L (1.4404)</li> </ul>
6	<ul style="list-style-type: none"> <li>▪ Washer: A4</li> <li>▪ Cheese head screw: A4-70</li> </ul>

## Operability

### Operating concept

#### Operator-oriented menu structure for user-specific tasks

- Commissioning
- Operation
- Diagnostics
- Expert level

#### Operating languages

- English
- Deutsch
- Français
- Español
- Italiano
- Nederlands
- Portuguesa
- Polski
- русский язык (Russian)
- Svenska
- Türkçe
- 中文 (Chinese)
- 日本語 (Japanese)
- 한국어 (Korean)
- Bahasa Indonesia
- tiếng Việt (Vietnamese)
- čeština (Czech)



Feature 500 of the product structure determines which of these languages is preset on delivery.

#### Quick and save commissioning

- Interactive wizard with graphical interface for easy commissioning via FieldCare/DeviceCare
- Menu guidance with brief explanations of the individual parameter functions
- Standardized operation at the device and in the operating tools

#### Integrated data storage device (HistoROM)

- Enables transfer of configuration when changing electronic modules
- Records up to 100 event messages in the device
- Records up to 1000 measured values in the device
- Saves the signal curve on commissioning which can later be used as a reference.

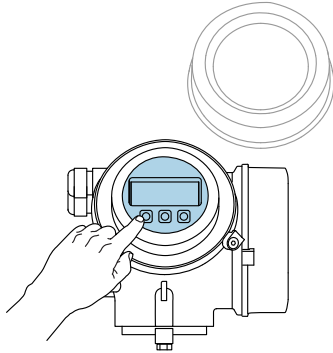
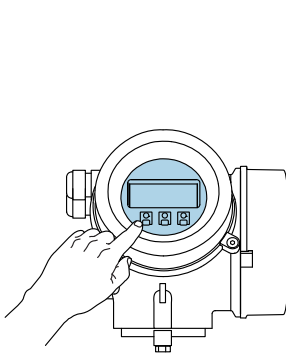
#### Efficient diagnostics increase measurement reliability

- Remedy information is integrated in plain text
- Diverse simulation options and line recorder functions

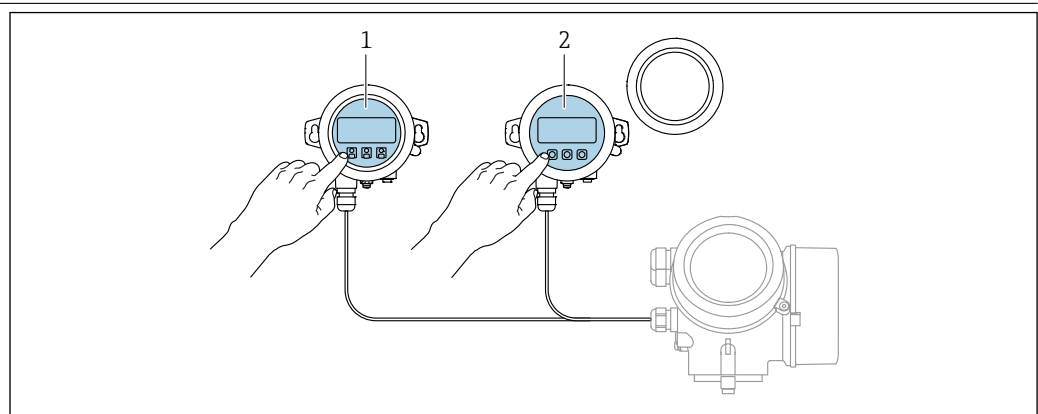
#### Integrated Bluetooth module (option for HART devices)

- Easy and fast setup via SmartBlue (app)
- No additional tools or adapters required
- Signal curve via SmartBlue (app)
- Encrypted single point-to-point data transmission (Fraunhofer-Institut, third party, tested) and password-protected communication via Bluetooth® wireless technology

Local operation

<b>Operation with</b>	<i>Pushbuttons</i>	<i>Touch Control</i>
<b>Order code for "Display; Operation"</b>	Option <b>C</b> "SD02"	Option <b>E</b> "SD03"
		
<b>Display elements</b>	4-line display	4-line display white background lighting; switches to red in event of device error
	Format for displaying measured variables and status variables can be individually configured	
	Permitted ambient temperature for the display: -20 to +70 °C (-4 to +158 °F) The readability of the display may be impaired at temperatures outside the temperature range.	
<b>Operating elements</b>	local operation with 3 push buttons (⊕, ⊖, ⏏)	external operation via touch control; 3 optical keys: ⊕, ⊖, ⏏
	Operating elements also accessible in various hazardous areas	
<b>Additional functionality</b>	Data backup function The device configuration can be saved in the display module.	
	Data comparison function The device configuration saved in the display module can be compared to the current device configuration.	
	Data transfer function The transmitter configuration can be transmitted to another device using the display module.	

Operation with remote display and operating module FHX50



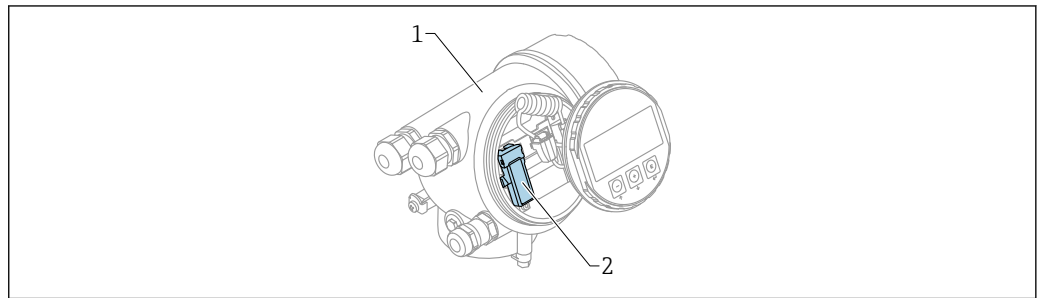
28 FHX50 operating options

- 1 Display and operating module SD03, optical keys; can be operated through the glass of the cover
- 2 Display and operating module SD02, push buttons; cover must be removed



**Operation via Bluetooth® wireless technology**

**Requirements**



A0036790

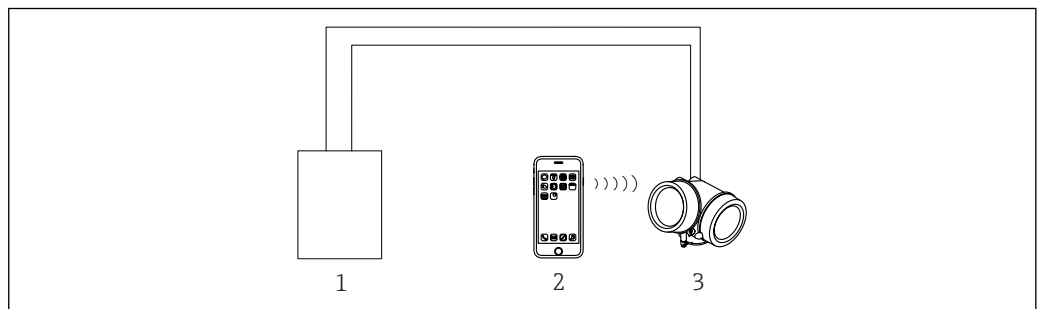
☐ 29 Device with Bluetooth module

- 1 Electronics housing of the device
- 2 Bluetooth module

This operation option is only available for devices with Bluetooth module. There are the following options:

- The device has been ordered with a Bluetooth module: Feature 610 "Accessory Mounted", option NF "Bluetooth"
- The Bluetooth module has been ordered as an accessory (ordering number: 71377355) and has been mounted. See Special Documentation SD02252F.

**Operation via SmartBlue (app)**



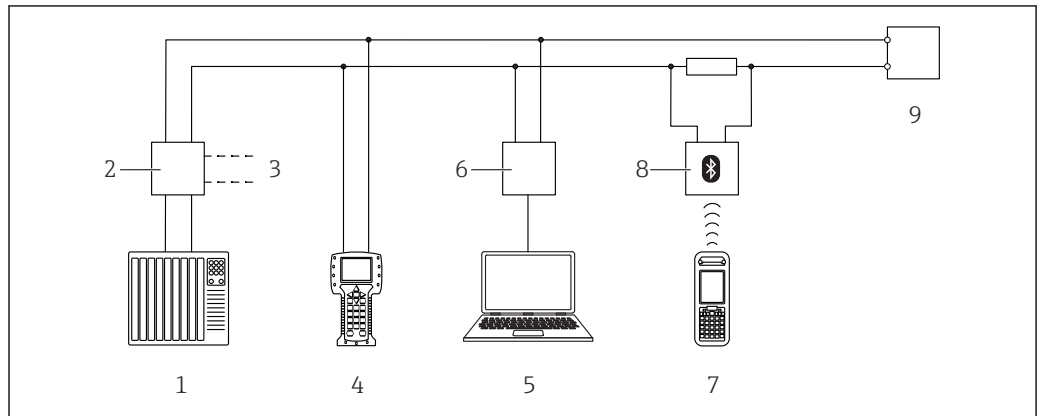
A0034939

☐ 30 Operation via SmartBlue (app)

- 1 Transmitter power supply unit
- 2 Smartphone / tablet with SmartBlue (app)
- 3 Transmitter with Bluetooth module

Remote operation

Via HART protocol

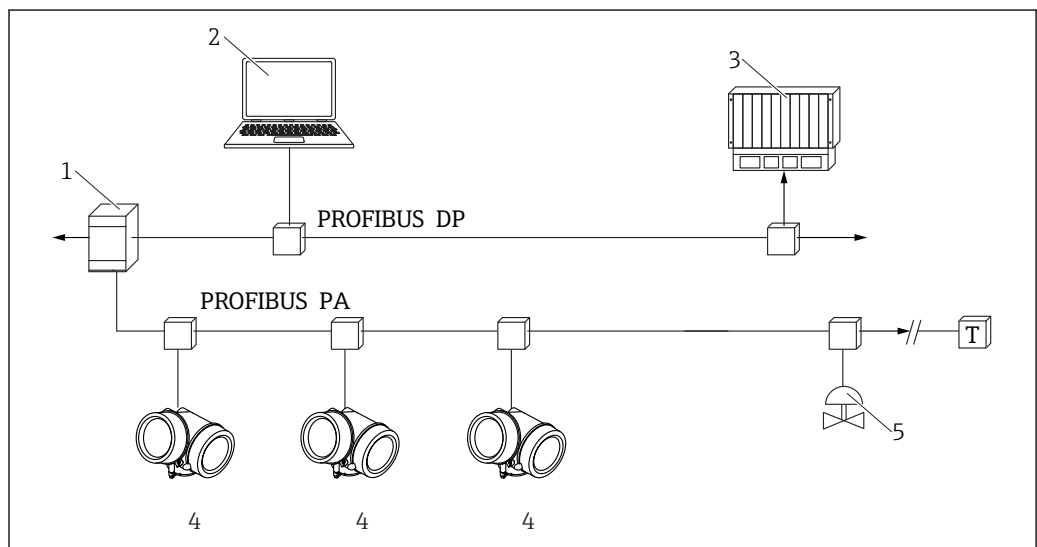


A0036169

31 Options for remote operation via HART protocol

- 1 PLC (Programmable Logic Controller)
- 2 Transmitter power supply unit, e.g. RN221N (with communication resistor)
- 3 Connection for Commubox FXA191, FXA195 and Field Communicator 375, 475
- 4 Field Communicator 475
- 5 Computer with operating tool (e.g. DeviceCare/FieldCare, AMS Device Manager, SIMATIC PDM)
- 6 Commubox FXA191 (RS232) or FXA195 (USB)
- 7 Field Xpert SFX350/SFX370
- 8 VIATOR Bluetooth modem with connecting cable
- 9 Transmitter

Via PROFIBUS PA protocol

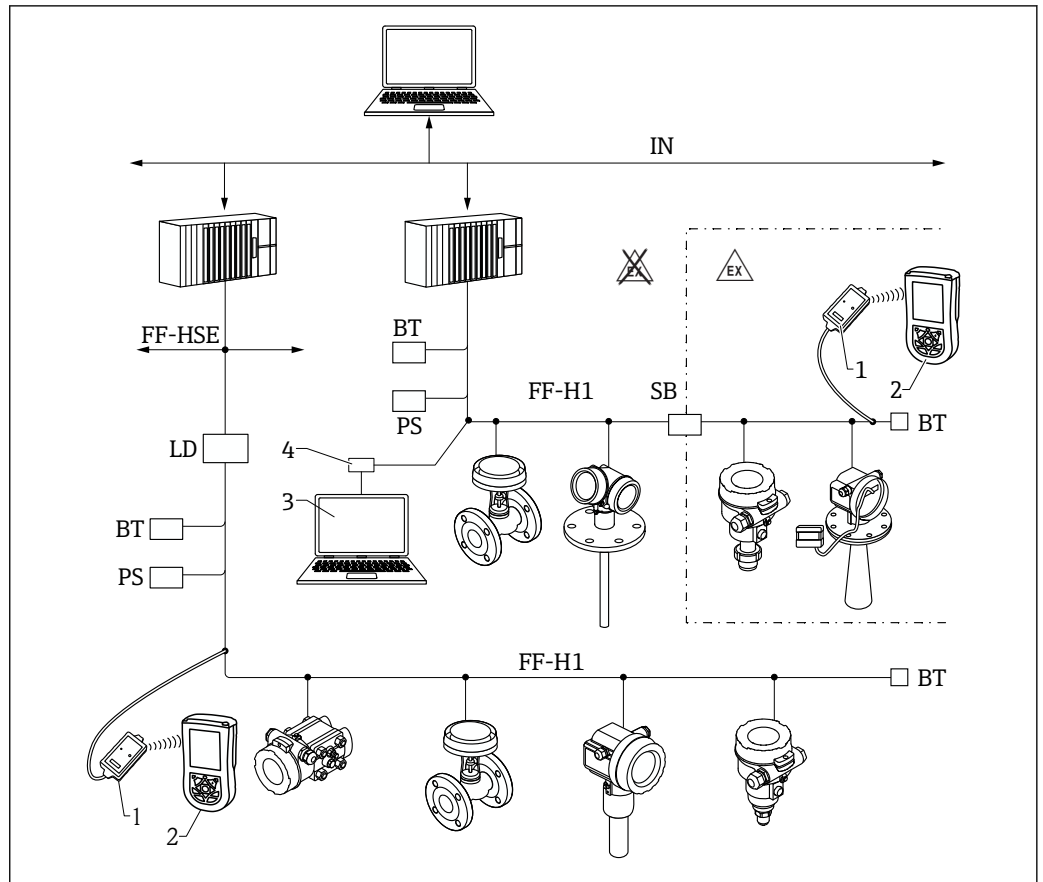


A0036301

32 Options for remote operation via PROFIBUS PA protocol

- 1 Segment coupler
- 2 Computer with Profiboard/Proficard and operating tool (e.g. DeviceCare/FieldCare)
- 3 PLC (Programmable Logic Controller)
- 4 Transmitter
- 5 Additional functions (valves etc.)

Via FOUNDATION Fieldbus



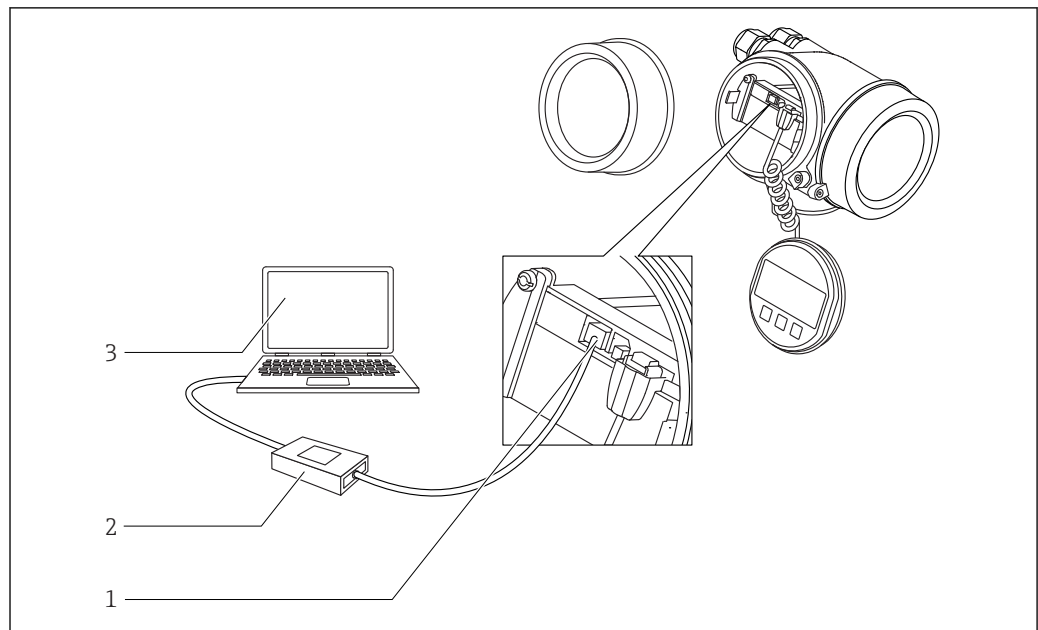
A0017188

33 FOUNDATION Fieldbus system architecture with associated components

- 1 FFblue Bluetooth modem
- 2 Field Xpert SFX350/SFX370
- 3 DeviceCare/FieldCare
- 4 NI-FF interface card

IN	Industrial network
FF-HSE	High Speed Ethernet
FF-H1	FOUNDATION Fieldbus-H1
LD	Linking Device FF-HSE/FF-H1
PS	Bus Power Supply
SB	Safety Barrier
BT	Bus Terminator

DeviceCare/FieldCare via service interface (CDI)



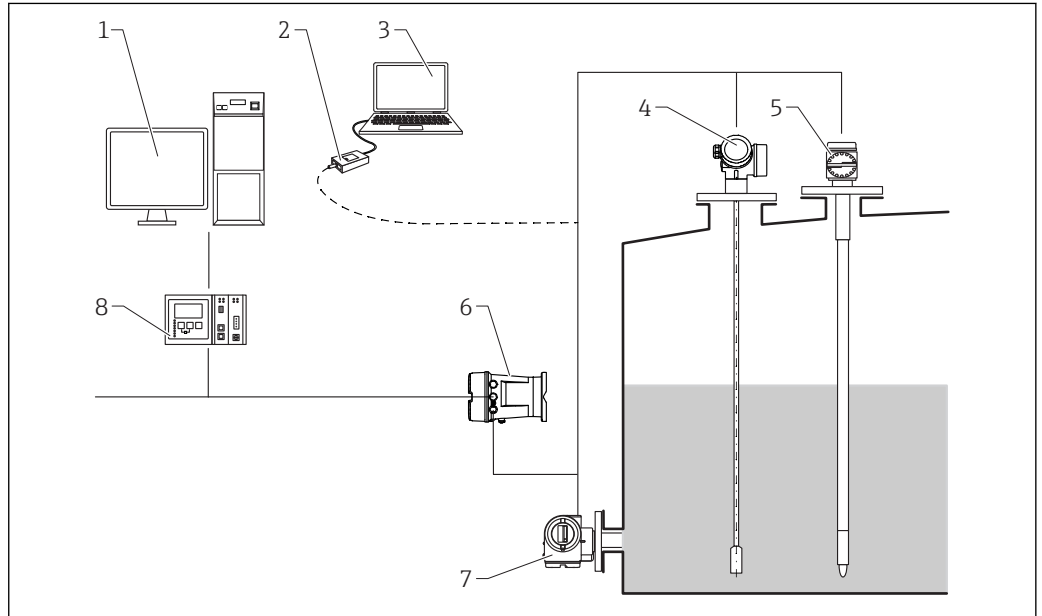
A0032466

34 DeviceCare/FieldCare via service interface (CDI)

- 1 Service interface (CDI) of the instrument (= Endress+Hauser Common Data Interface)
- 2 Commubox FXA291
- 3 Computer with DeviceCare/FieldCare operating tool

**Integration in tank gauging system**

The Endress+Hauser Tank Side Monitor NRF81 provides integrated communications for sites with multiple tanks, each with one or more sensors on the tank, such as radar, spot or average temperature, capacitive probe for water detection and/or pressure sensors. Multiple protocols out of the Tank Side Monitor guarantee connectivity to nearly any of the existing industry standard tank gauging protocols. Optional connectivity of analog 4...20 mA sensors, digital I/O and analog output simplify full tank sensor integration. Use of the proven concept of the intrinsically safe HART bus for all on-tank sensors yields extremely low wiring costs, while at the same time providing maximum safety, reliability and data availability.



A0016590

35 The complete measuring system consists of:

- 1 Tankvision workstation
- 2 Commubox FXA195 (USB) - optional
- 3 Computer with operating tool (ControlCare) - optional
- 4 Level measuring device
- 5 Temperature measuring device
- 6 Tank Side Monitor NRF81
- 7 Pressure measuring device
- 8 Tankvision Tank Scanner NXA820

---

**SupplyCare inventory management software**

SupplyCare is a web-based operating program for coordinating the flow of material and information along the supply chain. SupplyCare provides a comprehensive overview of the levels of geographically distributed tanks and silos, for instance, providing complete transparency over the current inventory situation, regardless of time and location.

Based on the measuring and transmission technology installed onsite, the current inventory data are collected and sent to SupplyCare. Critical levels are clearly indicated and calculated forecasts provide additional security for material requirements planning.

The main functions of SupplyCare:

**Inventory visualization**

SupplyCare determines the inventory levels in tanks and silos at regular intervals. It displays current and historical inventory data and calculated forecasts of future demand. The overview page can be configured to suit the user's preferences.

**Master data management**

With SupplyCare you can create and manage the master data for locations, companies, tanks, products and users, as well as user authorization.

**Report Configurator**

The Report Configurator can be used to create personalized reports quickly and easily. The reports can be saved in a variety of formats, such as Excel, PDF, CSV and XML. The reports can be transmitted in many ways, such as by http, ftp or e-mail.

**Event management**

Events, such as when levels drop below the safety stock level or plan points, are indicated by the software. In addition, SupplyCare can also notify pre-defined users by e-mail.

**Alarms**

If technical problems occur, e.g. connection issues, alarms are triggered and alarm e-mails are sent to the System Administrator and the Local System Administrator.

**Delivery planning**

The integrated delivery planning function automatically generates an order proposal if a pre-set minimum inventory level is undershot. Scheduled deliveries and disposals are monitored continuously by SupplyCare. SupplyCare notifies the user if scheduled deliveries and disposals are not going to be met as planned.

**Analysis**

In the Analysis module, the most important indicators for the inflow and outflow of the individual tanks are calculated and displayed as data and charts. Key indicators of material management are automatically calculated and form the basis for optimizing the delivery and storage process.

**Geographical visualization**

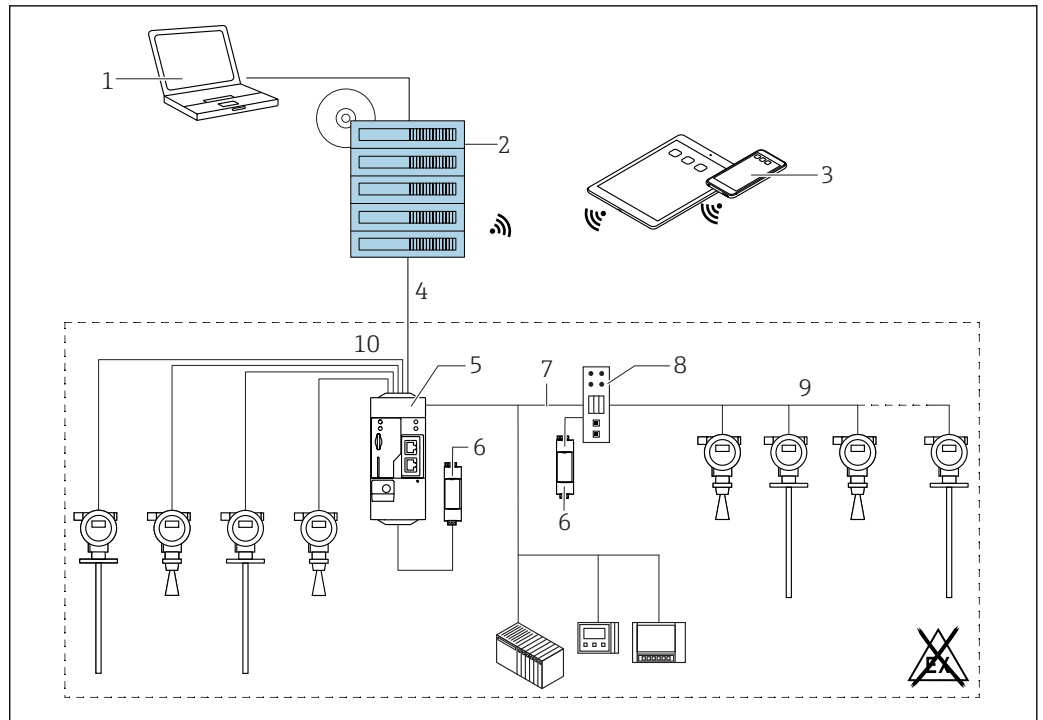
All the tanks and the tank inventories are represented graphically on a map (based on Google Maps). The tanks and inventory situations can be filtered by tank group, product, supplier or location.

**Multi-language support**

The multi-language user interface supports 9 languages, thereby enabling global collaboration on a single platform. The language and settings are recognized automatically using the browser settings.

**SupplyCare Enterprise**

SupplyCare Enterprise runs by default as a service under Microsoft Windows on an application server in an Apache Tomcat environment. The operators and administrators operate the application via a Web browser from their workstations.



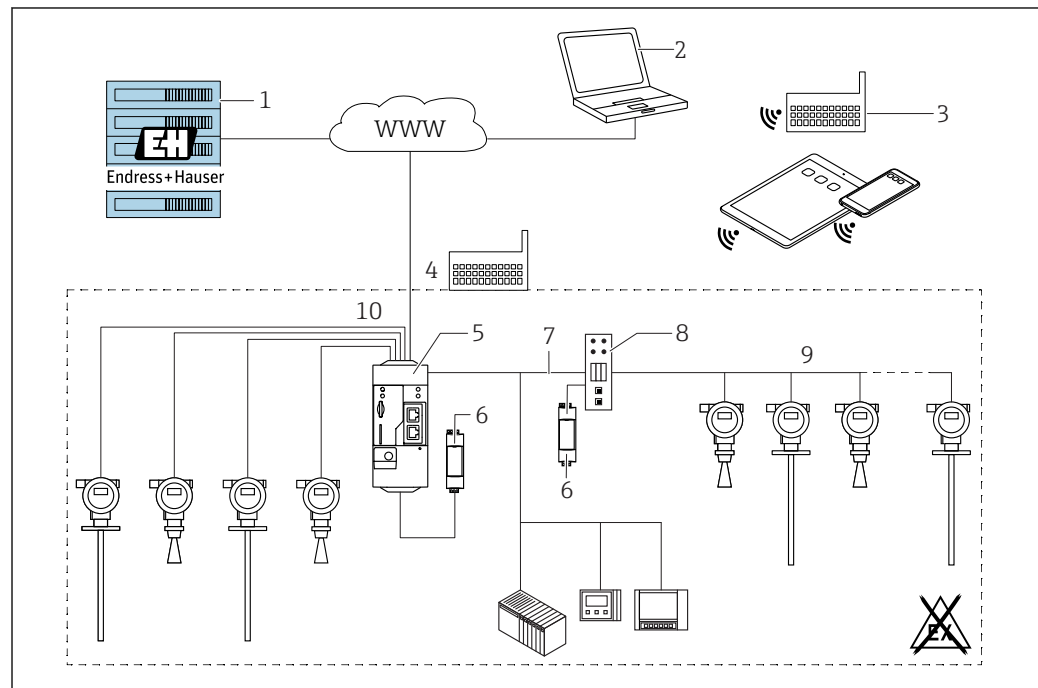
A0034288

36 Example of inventory management platform with SupplyCare Enterprise SCE30B

- 1 SupplyCare Enterprise (via Web browser)
- 2 SupplyCare Enterprise installation
- 3 SupplyCare Enterprise on mobile devices (via Web browser)
- 4 Ethernet/WLAN/UMTS
- 5 Fieldgate FXA42
- 6 Power supply 24 V DC
- 7 Modbus TCP via Ethernet as server/client
- 8 Converter from Modbus to HART Multidrop
- 9 HART Multidrop
- 10 4 x 4 to 20 mA analog input (2-wire/4-wire)

### Cloud-based application: SupplyCare Hosting

SupplyCare Hosting is offered as a hosting service (software as a service). Here, the software is installed within the Endress+Hauser IT infrastructure and made available to the user in the Endress+Hauser portal.



A0034289

37 Example of inventory management platform with SupplyCare Hosting SCH30




- 1 SupplyCare Hosting installation in Endress+Hauser data center
- 2 PC workstation with Internet connection
- 3 Warehouse locations with Internet connection via 2G/3G with FXA42 or FXA30
- 4 Warehouse locations with Internet connection with FXA42
- 5 Fieldgate FXA42
- 6 Power supply 24 V DC
- 7 Modbus TCP via Ethernet as server/client
- 8 Converter from Modbus to HART Multidrop
- 9 HART Multidrop
- 10 4 x 4 to 20 mA analog input (2-wire/4-wire)

With SupplyCare Hosting, users do not need to make the initial software purchase or install and run the IT infrastructure needed. Endress+Hauser constantly update SupplyCare Hosting and enhance the capability of the software in conjunction with the customer. The hosted version of SupplyCare is thus always up-to-date and can be customized to meet different customer requirements. Other services are also offered in addition to the IT infrastructure and the software that is installed in a secure, redundant Endress+Hauser data center. These services include defined availability of the global Endress+Hauser Service and Support Organization and defined response times in a service event.



## Certificates and approvals


 Currently available certificates and approvals can be called up via the product configurator.

<b>CE mark</b>	<p>The measuring system meets the legal requirements of the applicable EC guidelines. These are listed in the corresponding EC Declaration of Conformity together with the standards applied.</p> <p>Endress+Hauser confirms successful testing of the device by affixing to it the CE mark.</p>
<b>RoHS</b>	<p>The measuring system complies with the substance restrictions of the Restriction on Hazardous Substances Directive 2011/65/EU (RoHS 2).</p>
<b>RCM-Tick marking</b>	<p>The supplied product or measuring system meets the ACMA (Australian Communications and Media Authority) requirements for network integrity, interoperability, performance characteristics as well as health and safety regulations. Here, especially the regulatory arrangements for electromagnetic compatibility are met. The products are labelled with the RCM- Tick marking on the name plate.</p> <div data-bbox="499 734 1533 869" style="text-align: center;">  </div> <p style="text-align: right; font-size: small;">A0029561</p>
<b>Ex approval</b>	<p>The devices are certified for use in hazardous areas and the relevant safety instructions are provided in the separate "Safety Instructions" (XA) document. Reference is made to this document on the nameplate.</p> <p> The separate documentation "Safety Instructions" (XA) containing all the relevant explosion protection data is available from your Endress+Hauser Sales Center. Correlation of documentations to the device →  101.</p>
<b>Dual seal according to ANSI/ISA 12.27.01</b>	<p>The devices have been designed according to ANSI/ISA 12.27.01 as dual seal devices, allowing the user to waive the use and save the cost of installing external secondary process seals in the conduit as required by the process sealing sections of ANSI/NFPA 70 (NEC) and CSA 22.1 (CEC) These instruments comply with the North-American installation practice and provide a very safe and cost-saving installation for pressurized applications with hazardous fluids.</p> <p>Further information can be found in the Safety Instructions (XA) of the relevant devices.</p>
<b>Functional Safety</b>	<p>Used for level monitoring (MIN, MAX, range) up to SIL 3 (homogeneous redundancy), independently assessed by TÜV Rhineland as per IEC 61508. Other information see documentation SD00326F: "Functional Safety Manual".</p>
<b>Overfill prevention</b>	<p><b>WHG</b></p> <p>DIBt Z-65.16-501</p>
<b>Pressure equipment with allowable pressure ≤ 200 bar (2 900 psi)</b>	<p>Pressure instruments with a flange and threaded boss that do not have a pressurized housing do not fall within the scope of the Pressure Equipment Directive, irrespective of the maximum allowable pressure.</p> <p><b>Reasons:</b></p> <p>According to Article 2, point 5 of EU Directive 2014/68/EU, pressure accessories are defined as "devices with an operational function and having pressure-bearing housings".</p> <p>If a pressure instrument does not have a pressure-bearing housing (no identifiable pressure chamber of its own), there is no pressure accessory present within the meaning of the Directive.</p>
<b>Telecommunications</b>	<p>Complies with part 15 of the FCC rules for an unintentional radiator. All probes meet the requirements for a Class A digital device.</p> <p>In addition, all probes in metallic tanks as well as the coax probe meet the requirements for a Class B digital device.</p>

---

**Test, Certificate**

Feature 580 "Test, Certificate"	Designation	Available for
JA	3.1 Material certificate, wetted metallic parts, EN10204-3.1 inspection certificate	FMP50

-  Test reports, declarations and material test certificates can be obtained electronically from the *W@M Device Viewer* :  
Enter the serial number from the nameplate ([www.endress.com/deviceviewer](http://www.endress.com/deviceviewer))  
This applies to the options of the following ordering features:
- 550 "Calibration"
  - 580 "Test, Certificate"

---

**Product documentation on paper**

Test reports, declarations and material certificates can be ordered as hardcopies via ordering feature 570 "Service", option I7 „Product documentation on paper“. The printouts will be enclosed in the product delivery.

**Other standards and guidelines**

- EN 60529  
Degrees of protection by housing (IP code)
- EN 61010-1  
Protection Measures for Electrical Equipment for Measurement, Control, Regulation and Laboratory Procedures.
- IEC/EN 61326  
"Emission in accordance with Class A requirements". Electromagnetic compatibility (EMC requirements)
- NAMUR NE 21  
Electromagnetic compatibility (EMC) of industrial process and laboratory control equipment.
- NAMUR NE 43  
Standardization of the signal level for the breakdown information of digital transmitters with analog output signal.
- NAMUR NE 53  
Software of field devices and signal-processing devices with digital electronics
- NAMUR NE 107  
Status classification as per NE107
- NAMUR NE 131  
Requirements for field devices for standard applications
- IEC61508  
Functional safety of electrical/electronic/programmable electronic safety-related systems

---

## Ordering information

---

### Ordering information

Detailed ordering information is available from the following sources:

- In the Product Configurator on the Endress+Hauser website: [www.endress.com](http://www.endress.com) -> Click "Corporate" -> Select your country -> Click "Products" -> Select the product using the filters and search field -> Open product page -> The "Configure" button to the right of the product image opens the Product Configurator.
- From your Endress+Hauser Sales Center: [www.addresses.endress.com](http://www.addresses.endress.com)



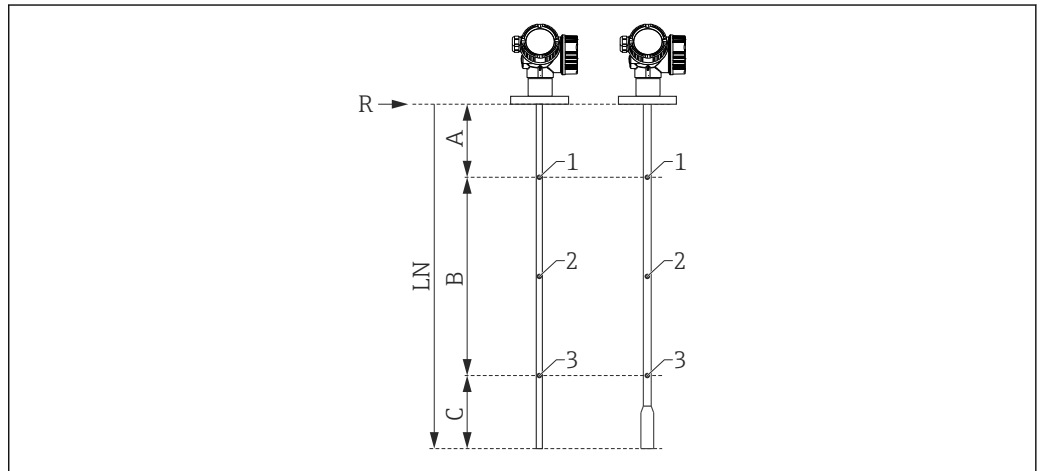
#### **Product Configurator - the tool for individual product configuration**

- Up-to-the-minute configuration data
- Depending on the device: Direct input of measuring point-specific information such as measuring range or operating language
- Automatic verification of exclusion criteria
- Automatic creation of the order code and its breakdown in PDF or Excel output format
- Ability to order directly in the Endress+Hauser Online Shop

**3-point linearity protocol**

**i** The following notes must be taken into account if option F3 ("3 point linearity protocol") has been selected in feature 550 ("Calibration").

Depending on the probe the 3 points of the linearity protocol are defined as follows:



- A Distance from reference point R to first measuring point
- B Measuring range
- C Distance from end of probe to third measuring point
- LN Length of probe
- R Reference point of the measurement
- 1 First measuring point
- 2 Second measuring point (centrally between first and third measuring point)
- 3 Third measuring point

	Rod probe	Rope probe LN ≤ 6 m (20 ft)	Rope probe LN > 6 m (20 ft)
Position of 1st measuring point	A = 350 mm (13.8 in)	A = 350 mm (13.8 in)	A = 350 mm (13.8 in)
Position of 2nd measuring point	centrally between 1st and 3rd measuring point	centrally between 1st and 3rd measuring point	centrally between 1st and 3rd measuring point
Position of 3rd measuring point	C = 250 mm (9.84 in)	C = 500 mm (19.7 in)	A+B = 5 500 mm (217 in)
Minimum measuring range	B ≥ 400 mm (15.7 in)	B ≥ 400 mm (15.7 in)	B ≥ 400 mm (15.7 in)
Minimum length of probe	LN ≥ 1 000 mm (39.4 in)	LN ≥ 1 250 mm (49.2 in)	LN ≥ 1 250 mm (49.2 in)

**i** The position of the measuring points may vary by ±1 cm (±0.04 in).

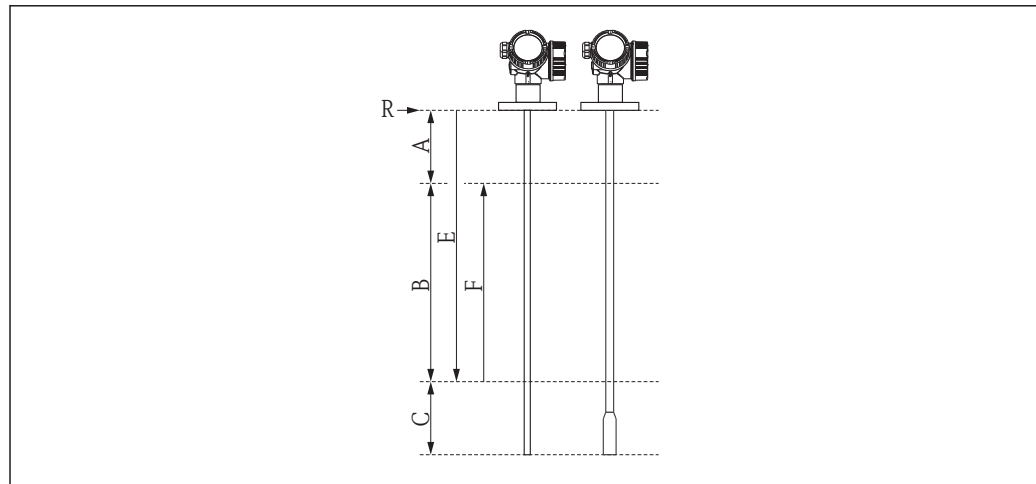
- i**
  - For rod and rope probes the linearity check is performed with the complete device.
  - The linearity is checked under reference conditions.

5-point linearity protocol

**i** The following notes must be taken into account if option F4 ("5 point linearity protocol") has been selected in feature 550 ("Calibration").

The five points of the linearity protocol are evenly distributed across the measuring range (0% to 100%). In order to define the measuring range, **Empty calibration** (E) and **Full calibration** (F) have to be specified<sup>8)</sup>.

The following restrictions have to be taken into account when defining E and F:



A0014673

- A Distance from reference point (R) to 100% level
- B Measuring range
- C Distance from end of probe to 0% level
- E Empty calibration
- F Full calibration
- R Reference point of the measurement

Sensor	Minimum distance between reference point (R) and 100% level	Minimum measuring range
FMP50	A ≥ 250 mm (10 in)	B ≥ 400 mm (16 in)

Type of probe	Minimum distance from end of probe to 0% level	Maximum value for "empty calibration"
Rod	C ≥ 100 mm (4 in)	E ≤ 3.9 m (12.8 ft)
Rope	C ≥ 1000 mm (40 in)	E ≤ 11 m (36 ft)

- i** For rod and rope probes the linearity check is performed with the complete device.
- i** The linearity is checked under reference conditions.

**i** The selected values of **Empty calibration** and **Full calibration** are only used to record the linearity protocol and are reset to their probe specific default values thereafter. If values different from the default are required, they must be ordered as a customized parametrization → 87.

8) If E and F are not specified, probe dependent default values will be used instead.

**Customized parametrization** If the option IJ "Customized parametrization HART", IK "Customized parametrization PA" or IL "Customized parametrization FF" has been selected in feature 570 "Service", customer specific presettings can be selected for the following parameters:

Parameter	Communication	Selection list / range of values
Setup → Distance unit	<ul style="list-style-type: none"> <li>■ HART</li> <li>■ PA</li> <li>■ FF</li> </ul>	<ul style="list-style-type: none"> <li>■ in</li> <li>■ ft</li> <li>■ mm</li> <li>■ m</li> </ul>
Setup → Empty calibration	<ul style="list-style-type: none"> <li>■ HART</li> <li>■ PA</li> <li>■ FF</li> </ul>	0 to 12 m (0 to 36 ft)
Setup → Full calibration	<ul style="list-style-type: none"> <li>■ HART</li> <li>■ PA</li> <li>■ FF</li> </ul>	0 to 12 m (0 to 36 ft)
Setup → Adv. Setup → Current output 1/2 → Damping	HART	0 to 999.9 s
Setup → Adv. Setup → Current output 1/2 → Failure mode	HART	<ul style="list-style-type: none"> <li>■ Min</li> <li>■ Max</li> <li>■ Last valid value</li> </ul>
Setup → Adv. Setup → Current output 1/2 → Burst mode	HART	<ul style="list-style-type: none"> <li>■ Off</li> <li>■ On</li> </ul>

**Tagging (TAG)**

<b>Ordering feature</b>	895: Marking
<b>Option</b>	Z1: Tagging (TAG), see additional spec.
<b>Position of the measuring point marking</b>	To be selected in the additional specifications: <ul style="list-style-type: none"> <li>■ Tag plate Stainless Steel</li> <li>■ Self-adhesive paper label</li> <li>■ Supplied label/plate</li> <li>■ RFID TAG</li> <li>■ RFID TAG + Tag plate Stainless Steel</li> <li>■ RFID TAG + Self-adhesive paper label</li> <li>■ RFID TAG + Supplied label/plate</li> </ul>
<b>Definition of the measuring point designation</b>	To be defined in the additional specifications: 3 lines containing up to 18 characters each  The measuring point designation appears on the selected label and/or the RFID TAG.
<b>Designation in the Electronic Name Plate (ENP)</b>	The first 32 characters of the measuring point designation
<b>Designation on the display module</b>	The first 12 characters of the measuring point designation

---

## Application Packages

---

### Heartbeat Diagnostics

#### Availability

Available in all device versions.

#### Function

- Continuous self-monitoring of the device.
- Diagnostic messages output to
  - the local display.
  - an asset management system (e.g. FieldCare/DeviceCare).
  - an automation system (e.g. PLC).

#### Advantages

- Device condition information is available immediately and processed in time.
- The status signals are classified in accordance with VDI/VDE 2650 and NAMUR recommendation NE 107 and contain information about the cause of the error and remedial action.

#### Detailed description

See Operating Instructions of the device (→  100); chapter "Diagnostics and trouble shooting"



## Heartbeat Verification

### Availability

Available for the following options of feature 540 "Application Package":

- EH: Heartbeat Verification + Monitoring
- EJ: Heartbeat Verification

### Device functionality checked on demand

- Verification of the correct functioning of the measuring device within specifications.
- The verification result provides information about the condition of the device: **Passed** or **Failed**.
- The results are documented in a verification report.
- The automatically generated report supports the obligation to demonstrate compliance with internal and external regulations, laws and standards.
- Verification is possible without interrupting the process.

### Advantages

- No onsite presence is required to use the function.
- The DTM<sup>9)</sup> triggers verification in the device and interprets the results. No specific knowledge is required on the part of the user.
- The verification report can be used to prove quality measures to a third party.
- **Heartbeat Verification** can replace other maintenance tasks (e.g. periodic check) or extend the test intervals.

### SIL/WHG-locked devices<sup>10)</sup>

- The **Heartbeat Verification** module contains a wizard for the proof test which must be performed at appropriate intervals for the following applications:
  - SIL (IEC61508/IEC61511)
  - WHG (German Water Resources Act)
- To perform a proof test, the device must be locked (SIL/WHG locking).
- The wizard can be used via FieldCare, DeviceCare or a DTM-based process control system.



In the case of SIL-locked and WHG-locked devices, it is **not** possible to perform verification without additional measures (e.g. by-passing of the output current) because the output current must be simulated (Increased safety mode) or the level must be approached manually (Expert mode) during subsequent re-locking (SIL/WHG locking).

### Detailed description



SD01872F

---

9) DTM: Device Type Manager; controls device operation via DeviceCare, FieldCare or a DTM-based process control system.

10) Only relevant for devices with SIL or WHG approval: order code 590 ("Additional approval"), option LA ("SIL") or LC ("WHG").

---

## Heartbeat Monitoring

### Availability

Available for the following options of feature 540 "Application Package":  
EH: Heartbeat Verification + Monitoring

### Function

- In addition to the verification parameters, the corresponding parameter values are also logged.
- Existing measured variables, such as the echo amplitude, are used in the **Foam detection** and **Build-up detection** wizards.



For Levelflex FMP5x, the **Foam detection** and **Build-up detection** wizards cannot be used together.

### "Foam detection" wizard

- The Heartbeat Monitoring module contains the **Foam detection** wizard.
- This wizard is used to configure automatic foam detection, which detects foam on the product surface on the basis of the reduced signal amplitude. Foam detection can be linked to a switch output in order to control a sprinkler system, for example, which dissolves the foam.
- This wizard can be used via FieldCare, DeviceCare or a DTM-based process control system.

### "Build-up detection" wizard

- The Heartbeat Monitoring module contains the **Build-up detection** wizard.
- The wizard is used to configure automatic buildup detection, which detects the buildup of deposits on the probe on the basis of the reduced signal amplitude.
- This wizard can be used via FieldCare, DeviceCare or a DTM-based process control system.

### Advantages

- Early detection of changes (trends) to ensure plant availability and product quality.
- Use of information for the proactive planning of measures (e.g. cleaning/maintenance).
- Identification of undesirable process conditions as the basis to optimizing the facility and the processes.
- Automated control of measures to remove foam or buildup.

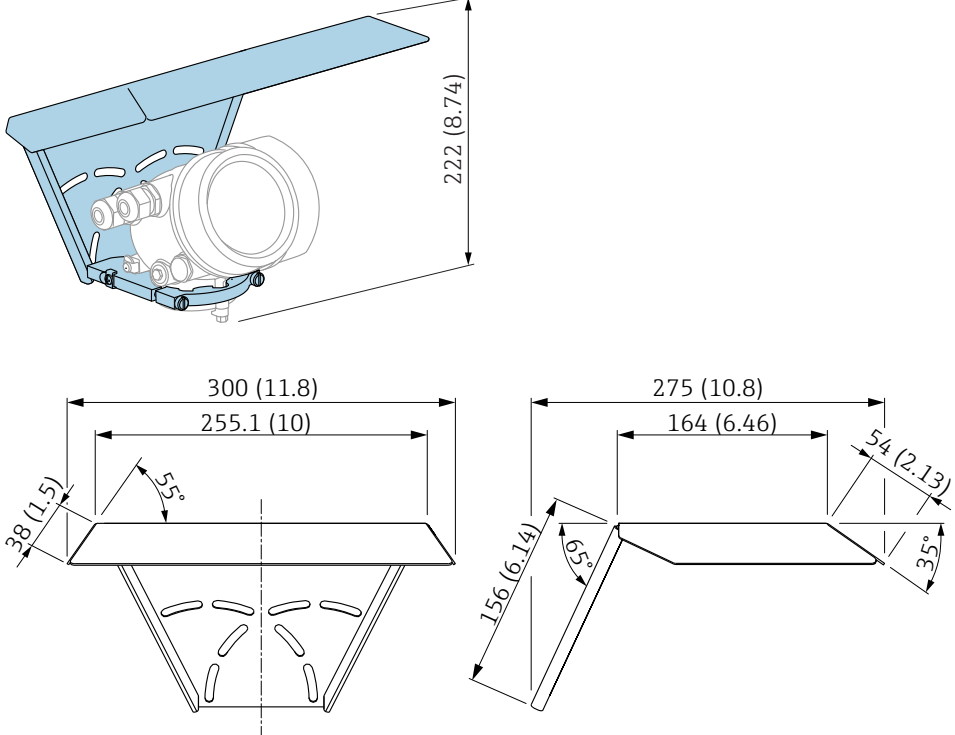

### Detailed description



SD01872F

## Accessories

Device-specific accessories Weather protection cover

Accessory	Description
Weather protection cover	 <p data-bbox="1474 734 1528 748">A0015466</p> <p data-bbox="1474 1146 1528 1160">A0015472</p> <p data-bbox="416 1171 925 1200">☑ 38 Weather protection cover; Dimensions: mm (in)</p> <p data-bbox="416 1227 1493 1305">  The weather protection cover can be ordered together with the device (product structure, feature 620 "Accessory Enclosed", option PB "Weather Protection Cover"). Alternatively, it can be separately ordered as an accessory; order code 71162242.         </p>

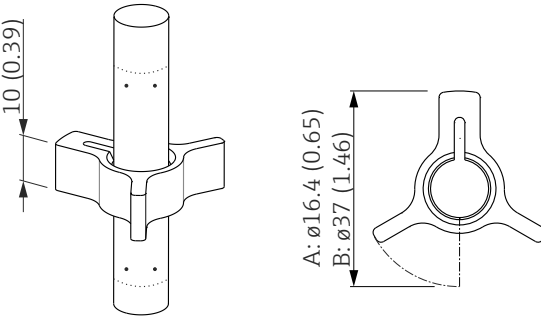
Mounting bracket for the electronics housing

Accessory	Description
<p>Mounting bracket for the electronics housing</p>	<div style="display: flex; justify-content: space-around;"> <div style="text-align: center;"> <p><b>A</b></p> </div> <div style="text-align: center;"> <p><b>B</b></p> </div> </div> <p> 39 Mounting bracket for the electronics housing; Dimensions: mm (in)</p> <p>A Wall mounting B Pipe mounting</p> <p> For the "Sensor remote" device version (see feature 060 of the product structure), the mounting bracket is part of the delivery. If required, it can also be ordered as an accessory (order code 71102216).</p> <p style="text-align: right; font-size: small;">A0014793</p>

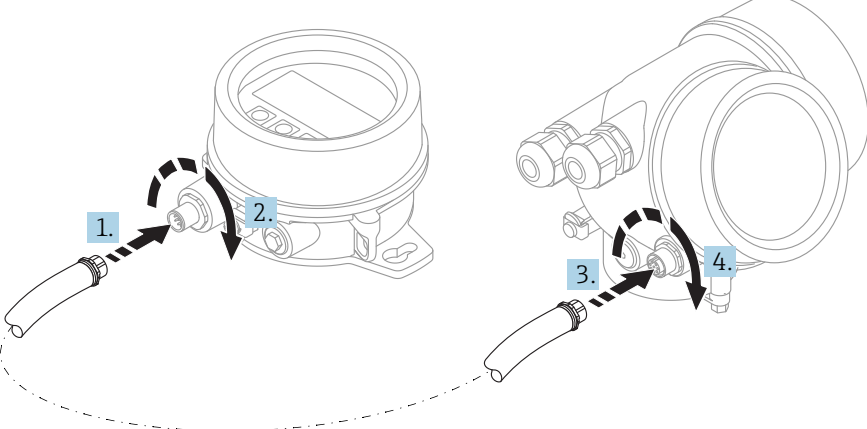
**Mounting kit, isolated**

Accessory	Description
<p>Mounting kit, isolated can be used for FMP50</p>	<div data-bbox="762 315 1034 869" style="text-align: center;"> </div> <div data-bbox="1476 880 1528 896" style="text-align: right; font-size: small;"> <p>A0013586</p> </div> <p data-bbox="762 902 1171 931"> <span style="border: 1px solid black; padding: 2px;">40</span> <i>Scope of supply of the mounting kit:</i> </p> <p data-bbox="762 943 967 972"> <i>1 Insulating sleeve</i> </p> <p data-bbox="762 972 895 1001"> <i>2 Eye-bolt</i> </p> <p data-bbox="762 1023 1201 1077">                     For reliably insulated fixing of the probe.                      Maximum process temperature: 150 °C (300 °F)                 </p> <p data-bbox="762 1086 1334 1115">                     For rope probes 4 mm (1/6 in) or 6 mm (1/4 in) with PA&gt;steel:                 </p> <ul style="list-style-type: none"> <li data-bbox="762 1115 1054 1144">■ Diameter D = 20 mm (0.8 in)</li> <li data-bbox="762 1144 991 1173">■ Order-No.: 52014249</li> </ul> <p data-bbox="762 1182 1334 1211">                     For rope probes 6 mm (1/4 in) or 8 mm (1/3 in) with PA&gt;steel:                 </p> <ul style="list-style-type: none"> <li data-bbox="762 1211 1038 1240">■ Diameter D = 25 mm (1 in)</li> <li data-bbox="762 1240 991 1270">■ Order-No.: 52014250</li> </ul> <p data-bbox="762 1279 1506 1332">                     Due to the risk of electrostatic charge, the insulating sleeve is not suitable for use in hazardous areas. In these cases the fixing must be reliably grounded.                 </p> <p data-bbox="762 1341 1474 1415"> <span style="border: 1px solid black; padding: 2px;">i</span> The mounting kit can also be ordered directly with the device (see the Levelflex product structure, feature 620 "Accessory Enclosed", option PG "Mounting kit, isolated, rope").                 </p>

Centering star

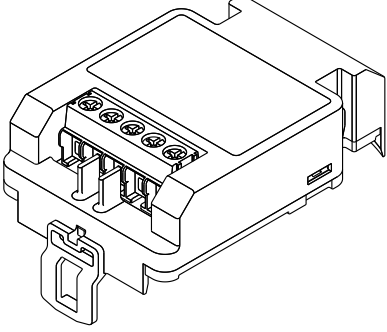
Accessory	Description
<p>Centering star PFA</p> <ul style="list-style-type: none"> <li>■ <math>\phi</math> 16.4 mm (0.65 in)</li> <li>■ <math>\phi</math> 37 mm (1.46 in)</li> </ul> <p>can be used for FMP50</p>	<div style="display: flex; justify-content: space-around; align-items: center;">  </div> <p style="text-align: right; font-size: small;">A0014577</p> <p>A For 8 mm (0.3 in) probes            B: For 12 mm (0.47 in) and 16 mm (0.63 in) probes</p> <p>The centering star is suitable for probes with a rod diameter of 8 mm (0.3 in), 12 mm (0.47 in) and 16 mm (0.63 in) (also coated rod probes) and can be used in pipes from DN40 (1½") up to DN50 (2"). See also Operating Instructions BA00378F/00/A2.</p> <ul style="list-style-type: none"> <li>■ Material: PFA</li> <li>■ Admissible process temperature: -200 to +250 °C (-382 to +482 °F)</li> <li>■ Order code               <ul style="list-style-type: none"> <li>- Probe 8 mm (0.3 in): 71162453</li> <li>- Probe 12 mm (0.47 in): 71157270</li> <li>- Probe 16 mm (0.63 in): 71069065</li> </ul> </li> </ul>

Remote display FHX50

Accessories	Description
Remote display FHX50	<div style="text-align: center;">  </div> <p style="text-align: right; font-size: small;">A0019128</p> <ul style="list-style-type: none"> <li>■ Material:             <ul style="list-style-type: none"> <li>- Plastic PBT</li> <li>- 316L/1.4404</li> <li>- Aluminum</li> </ul> </li> <li>■ Degree of protection: IP68 / NEMA 6P and IP66 / NEMA 4x</li> <li>■ Suitable for display modules:             <ul style="list-style-type: none"> <li>- SD02 (push buttons)</li> <li>- SD03 (touch control)</li> </ul> </li> <li>■ Connecting cable:             <ul style="list-style-type: none"> <li>- Cable supplied with device up to 30 m (98 ft)</li> <li>- Standard cable supplied by customer up to 60 m (196 ft)</li> </ul> </li> <li>■ Ambient temperature range: -40 to 80 °C (-40 to 176 °F)</li> <li>■ Ambient temperature range (option): -50 to 80 °C (-58 to 176 °F) <sup>1)</sup></li> </ul> <p> <span style="font-size: small;">i</span> ■ If the remote display should be used, order the device version "Prepared for display FHX50" (feature 030, version L, M or N). For the FHX50, you must select option A: "Prepared for display FHX50" under feature 050 "Measuring device version".         </p> <p> <span style="font-size: small;">i</span> ■ If the device version "Prepared for display FHX50" was not originally ordered and a FHX50 display is to be retrofitted, you must select version B "Not prepared for display FHX50" under feature 050: "Measuring device version" when ordering the FHX50. In this case, a retrofit kit for the device is supplied with the FHX50. The kit can be used to prepare the device so that the FHX50 can be used.         </p> <p> <span style="font-size: small;">i</span> Use of the FHX50 may be restricted for transmitters with an approval. A device can only be retrofitted with the FHX50 if the option L, M or N ("Prepared for FHX50") is listed under <i>Basic specifications</i>, item 4 "Display, operation" in the Safety Instructions (XA) for the device.              Also pay attention to the Safety Instructions (XA) of the FHX50.         </p> <p> <span style="font-size: small;">i</span> Retrofitting is not possible on transmitters with:             <ul style="list-style-type: none"> <li>■ An approval for use in areas with flammable dust (dust ignition-proof approval)</li> <li>■ Ex nA type of protection</li> </ul> </p> <p> <span style="font-size: small;">i</span> For details, see document SD01007F.         </p>

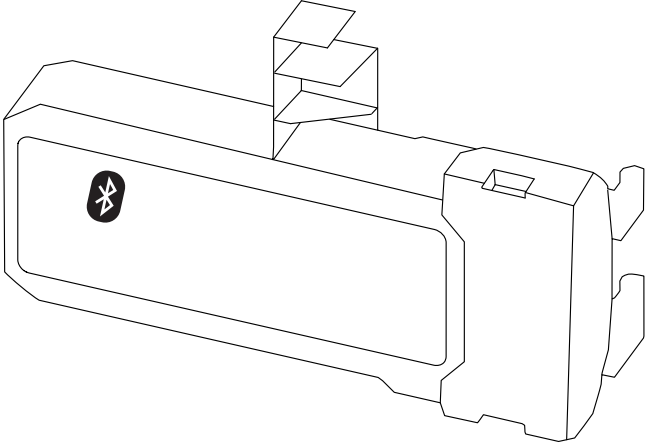





1) This range is valid if option JN "Ambient temperature transmitter -50 °C (-58 °F)" has been selected in ordering feature 580 "Test, Certificate". If the temperature is permanently below -40 °C (-40 °F), failure rates may be increased.

**Overvoltage protection**


Accessory	Description
Overvoltage protection for 2-wire-devices OVP10 (1 channel) OVP20 (2 channel)	<div style="text-align: right; margin-bottom: 10px;">A0021734</div>  <p><b>Technical data</b></p> <ul style="list-style-type: none"> <li>▪ Resistance per channel: <math>2 * 0.5 \Omega_{max}</math></li> <li>▪ Threshold DC voltage: 400 to 700 V</li> <li>▪ Threshold impulse voltage: &lt; 800 V</li> <li>▪ Capacitance at 1 MHz: &lt; 1.5 pF</li> <li>▪ Nominal arrest impulse voltage (8/20 <math>\mu</math>s): 10 kA</li> <li>▪ Suited for wire cross-sections: 0.2 to 2.5 mm<sup>2</sup> (24 to 14 AWG)</li> </ul> <p><b>i Ordering with device</b>                      The overvoltage protection module is preferably ordered with the device. See product structure, feature 610 "Accessory mounted", option NA "Overvoltage protection". Separate ordering of the module is only necessary if a device is to be retrofitted with the overvoltage protection.</p> <p><b>i Order code for retrofitting</b></p> <ul style="list-style-type: none"> <li>▪ For 1-channel devices (feature 020, option A)                          OVP10: 71128617</li> <li>▪ For 2-channel devices (feature 020, option B, C, E or G)                          OVP20 : 71128619</li> </ul> <p><b>Housing lid for retrofitting</b>                      In order to keep the necessary safety distances, the housing lid needs to be replaced if the device is retrofitted with the overvoltage protection. Depending on the housing type, the order code of the suitable lid is as follows:</p> <ul style="list-style-type: none"> <li>▪ GT18 housing: Lid 71185516</li> <li>▪ GT19 housing: Lid 71185518</li> <li>▪ GT20 housing: Lid 71185516</li> </ul> <p><b>i Restrictions for retrofitting</b>                      Depending on the approval of the transmitter the usage of the OVP module may be restricted. A device may only be retrofitted with an OVP module if the option NA (overvoltage protection) is quoted under <i>Optional Specifications</i> in the Safety Instructions (XA) pertaining to the device.</p> <p><b>i</b> For details refer to SD01090F.</p>





Bluetooth module for HART devices


Accessory	Description
Bluetooth module	 <p style="text-align: right; font-size: small;">A0036493</p> <ul style="list-style-type: none"> <li>▪ Quick and easy commissioning via SmartBlue (app)</li> <li>▪ No additional tools or adapters required</li> <li>▪ Signal curve via SmartBlue (app)</li> <li>▪ Encrypted single point-to-point data transmission (tested by Fraunhofer institute) and password protected communication via Bluetooth® wireless technology</li> <li>▪ Range under reference conditions:  <ul style="list-style-type: none"> <li>&gt; 10 m (33 ft)</li> </ul> </li> </ul> <p>  When using the Bluetooth module the minimum supply voltage increases by up to 3 V.         </p> <p>  <b>Ordering with device</b>              The Bluetooth module is preferably ordered with the device. See product structure, feature 610 "Accessory Mounted", option NF "Bluetooth". A separate order is only necessary in case of retrofitting.         </p> <p>  <b>Order code for retrofitting</b>              Bluetooth module (BT10): 71377355         </p> <p>  <b>Restrictions in case of retrofitting</b>              Depending on the approval of the transmitter, application of the Bluetooth module may be restricted. A device may only be retrofitted with a Bluetooth module if the option <i>NF</i> (Bluetooth) is listed in the associated Safety Instructions (XA) under <i>Optional specifications</i>.         </p> <p>  For details refer to SD02252F.         </p>


**Communication-specific accessories**


Accessory	Description
Commubox FXA195 HART	For intrinsically safe HART communication with FieldCare via the USB interface.  For details refer to Technical Information TI00404F


Accessory	Description
Commubox FXA291	Connects Endress+Hauser field devices with CDI interface (= Endress+Hauser Common Data Interface) to the USB interface of a computer. Order code: 51516983  For details refer to Technical Information TI00405C


Accessory	Description
HART Loop Converter HMX50	Evaluates the dynamic HART variables and converts them to analog current signals or limit values. Order code: 71063562  For details refer to Technical Information TI00429F and Operating Instructions BA00371F


Accessory	Description
WirelessHART Adapter SWA70	Connects field devices to a WirelessHART network. The WirelessHART adapter can be mounted directly at a HART device and is easily integrated into an existing HART network. It ensures safe data transmission and can be operated in parallel with other wireless networks.  For details refer to Operating Instructions BA00061S


Accessories	Description
Connect Sensor FXA30/FXA30B	Fully integrated, battery-powered gateway for simple applications with SupplyCare Hosting. Up to 4 field devices with 4 to 20 mA communication (FXA30/FXA30B), serial Modbus (FXA30B) or HART (FXA30B) can be connected. With its robust design and ability to run for years on the battery, it is ideal for remote monitoring in isolated locations. Version with LTE (USA, Canada and Mexico only) or 3G mobile transmission for worldwide communication.  For details, see "Technical Information" TI01356S and Operating Instructions BA01710S.

Accessories	Description
Fieldgate FXA42	Fieldgates enable communication between connected 4 to 20 mA, Modbus RS485 and Modbus TCP devices and SupplyCare Hosting or SupplyCare Enterprise. The signals are transmitted either via Ethernet TCP/IP, WLAN or mobile communications (UMTS). Advanced automation capabilities are available, such as an integrated Web-PLC, OpenVPN and other functions.  For details, see "Technical Information" TI01297S and Operating Instructions BA01778S.




Accessories	Description
SupplyCare Enterprise SCE30B	Inventory management software that visualizes levels, volumes, masses, temperatures, pressures, densities or other tank parameters. The parameters are recorded and transmitted by means of gateways of the type Fieldgate FXA42. This Web-based software is installed on a local server and can also be visualized and operated with mobile terminals such as a smartphone or tablet.  For details, see "Technical Information" TI01228S and Operating Instructions BA00055S

Accessories	Description
SupplyCare Hosting SCH30	Inventory management software that visualizes levels, volumes, masses, temperatures, pressures, densities or other tank parameters. The parameters are recorded and transmitted by means of gateways of the type Fieldgate FXA42, FXA30 and FXA30B. SupplyCare Hosting is offered as a hosting service (Software as a Service, SaaS). In the Endress+Hauser portal, the user is provided with the data over the Internet.  For details, see "Technical Information" TI01229S and Operating Instructions BA00050S.




Accessory	Description
Field Xpert SFX350	Field Xpert SFX350 is a mobile computer for commissioning and maintenance. It enables efficient device configuration and diagnostics for HART and FOUNDATION fieldbus devices in the <b>non-Ex area</b> .  For details, see Operating Instructions BA01202S

Accessory	Description
Field Xpert SFX370	Field Xpert SFX370 is a mobile computer for commissioning and maintenance. It enables efficient device configuration and diagnostics for HART and FOUNDATION fieldbus devices in the <b>non-Ex area</b> and the <b>Ex area</b> .  For details, see Operating Instructions BA01202S


Service-specific accessories

Accessory	Description
DeviceCare SFE100	Configuration tool for HART, PROFIBUS and FOUNDATION Fieldbus devices  Technical Information TI01134S  <ul style="list-style-type: none"> <li>DeviceCare is available for download at <a href="http://www.software-products.endress.com">www.software-products.endress.com</a>. The download requires a registration in the Endress+Hauser software portal.</li> <li>Alternatively, a DeviceCare DVD can be ordered with the device. Product structure: Feature 570 "Service", Option IV "Tooling DVD (DeviceCare Setup)".</li> </ul>
FieldCare SFE500	FDT-based Plant Asset Management tool. Helps to configure and maintain all field devices of your plant. By supplying status information it also supports the diagnosis of the devices.  Technical Information TI00028S

System components

Accessory	Description
Graphic Data Manager Memograph M	The graphic data manager Memograph M provides information on all the relevant process variables. Measured values are recorded correctly, limit values are monitored and measuring points analyzed. The data are stored in the 256 MB internal memory and also on an SD card or USB stick.  For details refer to Technical Information TI00133R and Operating Instructions BA00247R
RN221N	Active barrier with power supply for safe separation of 4 to 20 mA current circuits. Provides bi-directional HART transmission.  For details refer to Technical Information TI00073R and Operating Instructions BA00202R
RNS221	Transmitter supply for 2-wire sensors or transmitters exclusively for non-Ex areas. Provides bi-directional communication using the HART communication sockets.  For details refer to Technical Information TI00081R and Operating Instructions KA00110R

## Documentation

-  For an overview of the scope of the associated Technical Documentation, refer to the following:
- The *W@M Device Viewer* : Enter the serial number from the nameplate ([www.endress.com/deviceviewer](http://www.endress.com/deviceviewer))
  - The *Endress+Hauser Operations App*: Enter the serial number from the nameplate or scan the 2-D matrix code (QR code) on the nameplate.

### Standard documentation

#### Levelflex FMP50

*Correlation of documentations to the device:*

Device	Power supply, output	Communication	Document type	Document code
FMP50	A, B, C, K, L	HART	Technical Information	TI01000F
			Operating Instructions	BA01000F
			Brief Operating Instructions	KA01053F
			Description of Device Parameters	GP01000F
	G	PROFIBUS PA	Technical Information	TI01000F
			Operating Instructions	BA01005F
			Brief Operating Instructions	KA01071F
			Description of Device Parameters	GP01001F
	E	FOUNDATION Fieldbus	Technical Information	TI01000F
			Operating Instructions	BA01051F
			Brief Operating Instructions	KA01106F
			Description of Device Parameters	GP01015F

### Supplementary documentation

Application Package <sup>1)</sup>	Document type	Document code
<ul style="list-style-type: none"> <li>▪ EH: Heartbeat Verification + Monitoring</li> <li>▪ EJ: Heartbeat Verification</li> </ul>	Special documentation	SD01872F

1) Feature 540 of the product structure

Device	Document type	Document code
Fieldgate FXA520	Technical Information	TI00369F
Tank Side Monitor NRF81	Technical Information	TI01251G
	Operating Instructions	BA01465G
	Description of Device Parameters	GP01083G

Description	Document type	Document code
<b>Continuous level measurement in liquids and bulk solids</b> Selection and engineering guide for the process industry	Competence brochure	CP00023F

**Safety Instructions (XA)**

Depending on the approval, the following Safety Instructions (XA) are supplied with the device. They are an integral part of the Operating Instructions.

Feature 010	Approval	Available for	Feature 020: "Power Supply; Output"				
			A <sup>1)</sup>	B <sup>2)</sup>	C <sup>3)</sup>	E <sup>4)</sup> /G <sup>5)</sup>	K <sup>6)</sup> /L <sup>7)</sup>
BA	ATEX II 1G Ex ia IIC T6 Ga	FMP50	XA00496F	XA01125F	XA01126F	XA00516F	-
BB	ATEX II 1/2G Ex ia IIC T6 Ga/Gb	FMP50	XA00496F	XA01125F	XA01126F	XA00516F	-
BC	ATEX II 1/2G Ex d[ia] IIC T6 Ga/Gb	FMP50	XA00499F	XA00499F	XA00499F	XA00519F	XA01133F
BG	ATEX II 3G Ex nA IIC T6 Gc	FMP50	XA00498F	XA01130F	XA01131F	XA00518F	XA01132F
BH	ATEX II 3G Ex ic IIC T6 Gc	FMP50	XA00498F	XA01130F	XA01131F	XA00518F	-
B2	ATEX II 1/2G Ex ia IIC T6 Ga/Gb, 1/2D Ex ia IIIC Da/Db	FMP50	XA00502F	XA00502F	XA00502F	XA00522F	-
B3	ATEX II 1/2G Ex d[ia] IIC T6 Ga/Gb, 1/2 D Ex t IIIC Da/Db	FMP50	XA00503F	XA00503F	XA00503F	XA00523F	XA01136F
B4	ATEX II 1/2G Ex ia IIC T6 Ga/Gb, Ex d[ia] IIC T6 Ga/Gb	FMP50	XA00500F	XA01134F	XA01135F	XA00520F	-
CB	CSA C/US IS Cl.I Div.1 Gr.A-D	FMP50	XA00530F	XA00530F	XA00530F	XA00571F	XA00530F
CC	CSA C/US XP Cl.I Div.1 Gr.A-D	FMP50	XA00529F	XA00529F	XA00529F	XA00570F	XA00529F
C2	CSA C/US IS Cl.I,II,III Div.1 Gr.A-G, NI Cl.1 Div.2, Ex ia	FMP50	XA00530F	XA00530F	XA00530F	XA00571F	XA00530F
C3	CSA C/US XP Cl.I,II,III Div.1 Gr.A-G, NI Cl.1 Div.2, Ex d	FMP50	XA00529F	XA00529F	XA00529F	XA00570F	XA00529F
FA	FM IS Cl.I Div.1 Gr.A-D	FMP50	XA00531F	XA00531F	XA00531F	XA00573F	XA00531F
FB	FM IS Cl.I,II,III Div.1 Gr.A-G, AEx ia, NI Cl.1 Div.2	FMP50	XA00531F	XA00531F	XA00531F	XA00573F	XA00531F
FC	FM XP Cl.I Div.1 Gr.A-D	FMP50	XA00532F	XA00532F	XA00532F	XA00572F	XA00532F
FD	FM XP Cl.I,II,III Div.1 Gr.A-G, AEx d, NI Cl.1 Div.2	FMP50	XA00532F	XA00532F	XA00532F	XA00572F	XA00532F
GA	EAC Ex ia IIC T6 Ga	FMP50	XA01380F	XA01380F	XA01380F	XA01381F	XA01380F
GB	EAC Ex ia IIC T6 Ga/Gb	FMP50	XA01380F	XA01380F	XA01380F	XA01381F	XA01380F
GC	EAC Ex d[ia] IIC T6 Ga/Gb	FMP50	XA01382F	XA01382F	XA01382F	XA01383F	XA01382F
IA	IEC Ex ia IIC T6 Ga	FMP50	XA00496F	XA01125F	XA01126F	XA00516F	-
IB	IEC Ex ia IIC T6 Ga/Gb	FMP50	XA00496F	XA01125F	XA01126F	XA00516F	-
IC	IEC Ex d[ia] IIC T6 Ga/Gb	FMP50	XA00499F	XA00499F	XA00499F	XA00519F	XA01133F
IG	IEC Ex nA IIC T6 Gc	FMP50	XA00498F	XA01130F	XA01131F	XA00518F	XA01132F
IH	IEC Ex ic IIC T6 Gc	FMP50	XA00498F	XA01130F	XA01131F	XA00518F	-
I2	IEC Ex ia IIC T6 Ga/Gb, Ex ia IIIC Da/Db	FMP50	XA00502F	XA00502F	XA00502F	XA00522F	-
I3	IEC Ex d [ia] IIC T6 Ga/Gb, Ex t IIIC Da/Db	FMP50	XA00503F	XA00503F	XA00503F	XA00523F	XA01136F
I4	IEC Ex II 1/2G Ex ia IIC T6 Ga/Gb, Ex d[ia] IIC T6 Ga/Gb	FMP50	XA00500F	XA01134F	XA01135F	XA00520F	-
KA	KC Ex ia IIC T6 Ga	FMP50	XA01169F	-	XA01169F	-	-
KB	KC Ex ia IIC T6 Ga/Gb	FMP50	XA01169F	-	XA01169F	-	-
KC	KC Ex d[ia] IIC T6	FMP50	-	-	XA01170F	-	-
MA	INMETRO Ex ia IIC T6 Ga	FMP50	XA01038F	XA01038F	XA01038F	-	XA01038F
MC	INMETRO Ex d[ia] IIC T6 Ga/Gb	FMP50	XA01041F	XA01041F	XA01041F	-	XA01041F
MH	INMETRO Ex ic IIC T6 Gc	FMP50	XA01040F	XA01040F	XA01040F	-	XA01040F
NA	NEPSI Ex ia IIC T6 Ga	FMP50	XA00634F	XA00634F	XA00634F	XA00640F	XA00634F
NB	NEPSI Ex ia IIC T6 Ga/Gb	FMP50	XA00634F	XA00634F	XA00634F	XA00640F	XA00634F
NC	NEPSI Ex d[ia] IIC T6 Ga/Gb	FMP50	XA00636F	XA00636F	XA00636F	XA00642F	XA00636F
NG	NEPSI Ex nA II T6 Gc	FMP50	XA00635F	XA00635F	XA00635F	XA00641F	XA00635F
NH	NEPSI Ex ic IIC T6 Gc	FMP50	XA00635F	XA00635F	XA00635F	XA00641F	XA00635F
N2	NEPSI Ex ia IIC T6 Ga/Gb, Ex iaD 20/21 T85...90°C	FMP50	XA00638F	XA00638F	XA00638F	XA00644F	XA00638F

Feature 010	Approval	Available for	Feature 020: "Power Supply; Output"				
			A <sup>1)</sup>	B <sup>2)</sup>	C <sup>3)</sup>	E <sup>4)</sup> /G <sup>5)</sup>	K <sup>6)</sup> /L <sup>7)</sup>
N3	NEPSI Ex d[ia] IIC T6 Ga/Gb, DIP A20/21 T85...90°C IP66	FMP50	XA00639F	XA00639F	XA00639F	XA00645F	XA00639F
8A	FM/CSA IS+XP Cl.I,II,III Div.1 Gr.A-G	FMP50	XA00531F	XA00531F	XA00531F	XA00572F	XA00531F
			XA00532F	XA00532F	XA00532F	XA00573F	XA00532F

- 1) A: 2-wire; 4-20mA HART
- 2) B: 2-wire; 4-20mA HART, switch output
- 3) C: 2-wire; 4-20mA HART, 4-20mA
- 4) E: 2-wire; FOUNDATION Fieldbus, switch output
- 5) G: 2-wire; PROFIBUS PA, switch output
- 6) K: 4-wire 90-253VAC; 4-20mA HART
- 7) L: 4-wire 10,4-48VDC; 4-20mA HART

 For certified devices the relevant Safety Instructions (XA) are indicated on the nameplate.

**Ex-marking in case of connected FHX50 remote display**

If the device is prepared for the remote display FHX50 (product structure: feature 030: Display, Operation", option L or M), the Ex marking of some certificates changes according to the following table <sup>11)</sup>:

Feature 010 ("Approval")	Feature 030 ("Display, Operation")	Ex-marking
BG	L, M or N	ATEX II 3G Ex nA [ia Ga] IIC T6 Gc
BH	L, M or N	ATEX II 3G Ex ic [ia Ga] IIC T6 Gc
B3	L, M or N	ATEX II 1/2G Ex d [ia] IIC T6 Ga/Gb, ATEX II 1/2D Ex ta [ia Db] IIIC Txx°C Da/Db
IG	L, M or N	IECEX Ex nA [ia Ga] IIC T6 Gc
IH	L, M or N	IECEX Ex ic [ia Ga] IIC T6 Gc
I3	L, M or N	IECEX Ex d [ia] IIC T6 Ga/Gb, IECEX Ex ta [ia Db] IIIC Txx°C Da/Db

---

11) The marking of certificates not mentioned in this table are not affected by the FHX50.



[www.addresses.endress.com](http://www.addresses.endress.com)

---