

# Technical Information

## Dipfit CPA140

Immersion assembly with flange connection for very demanding processes for the installation of 12 mm sensors



### Sensor holder with bayonet lock

#### Application

- Chemical industry, e.g. in
  - production of synthetic materials and dyes
  - production of pesticides and fertilizers
  - oil or wastewater separation
  - condensate treatment
- Power stations and incinerator plants, e.g. in
  - cooling water monitoring
  - flue gas cleaning
- Metal extraction and metal processing

#### Your benefits

- Simple installation and removal of the sensor holder thanks to bayonet lock technology
- Reliable sealing even in media containing solid particles
- Suitable for use at high pressures and temperatures
- Immersion depth from 500 to 2500 mm
- Integrated potential matching pin made of Alloy C4 or tantalum
- Reduced condensation thanks to breathable GORE-TEX® filter
- 3 slots for 12 mm sensors and cleaning head
- Chemical and ultrasonic cleaning can be easily retrofitted
- Variety of flange connections (DIN, ANSI, JIS) for flexible connection to the process

## Function and system design

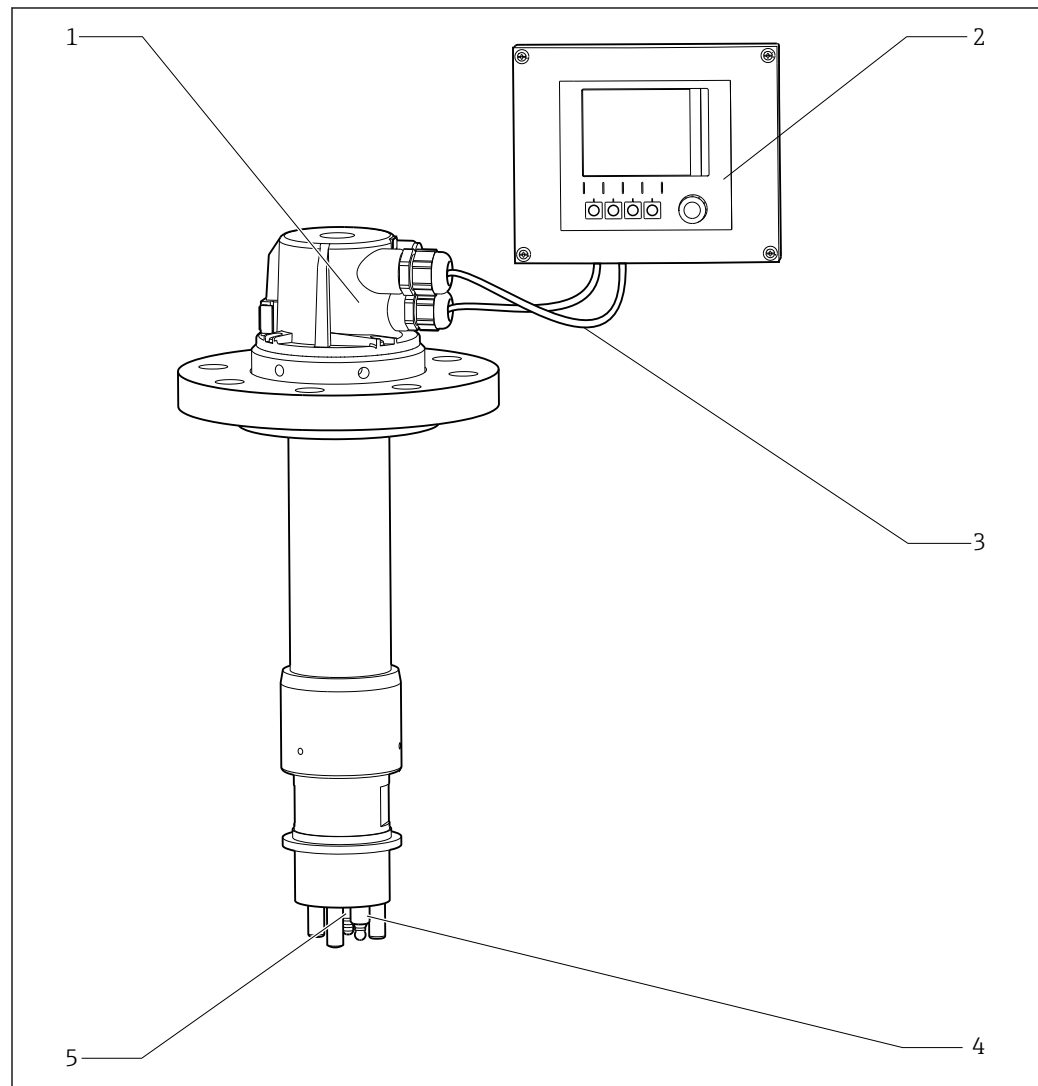
### Measuring system

A complete measuring system comprises:

- Immersion assembly Dipfit CPA140
- 1-3 pH, ORP, pH/ORP combined sensors or temperature sensors (12 mm), e.g. CPS11D, CPS12D
- 1-3 measuring cables, e.g. CYK10 or CPK9
- Transmitter, e.g. Liquiline CM442

Optional:

Extension cable, e.g. CYK11



A0037542

1 Example of a measuring system (process and process connections are not illustrated)

- 1 Immersion assembly Dipfit CPA140, here as PVDF version
- 2 Transmitter CM442
- 3 Sensor cable CYK10
- 4 pH sensor CPS11D
- 5 ORP sensor CPS12D

## Environment

**Ambient temperature range** -10 to +70 °C (+10 to +160 °F)

**Storage temperature** -10 to +70 °C (+10 to +160 °F)

**Degree of protection** IP65

## Process

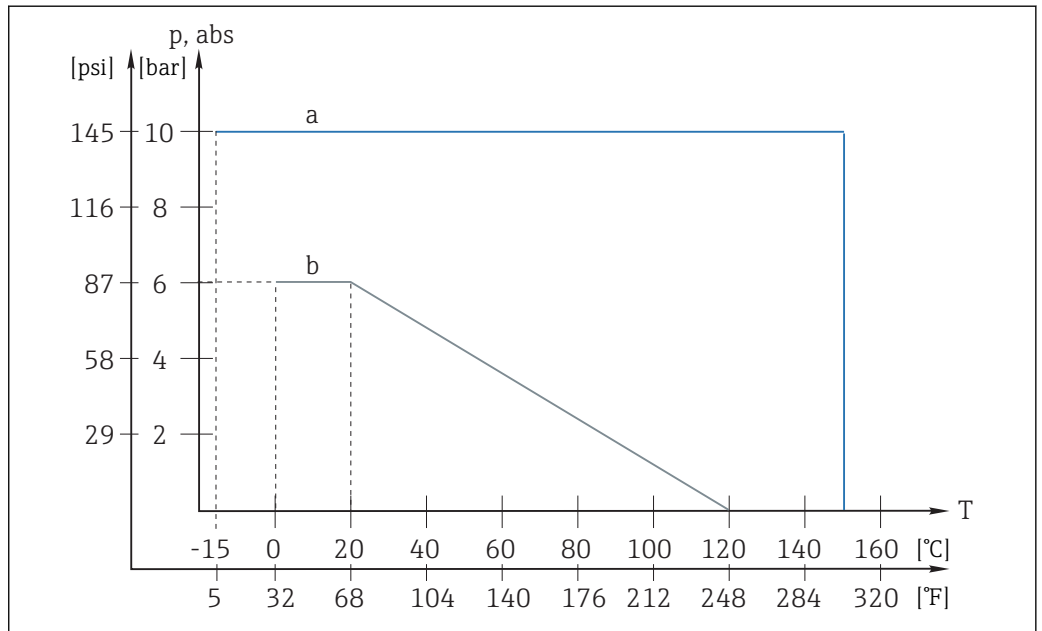
**Process temperature**

PVDF version	0 to 120 °C (32 to 250 °F)
Stainless steel version	-15 to 150 °C (5 to 300 °F), for all seals except EPDM -15 to 140 °C (5 to 280 °F), for EPDM seal

**Process pressure**

PVDF version	Max. 6 bar (87 psi), absolute
Stainless steel version	Max. 10 bar (145 psi), absolute

### Pressure-temperature ratings



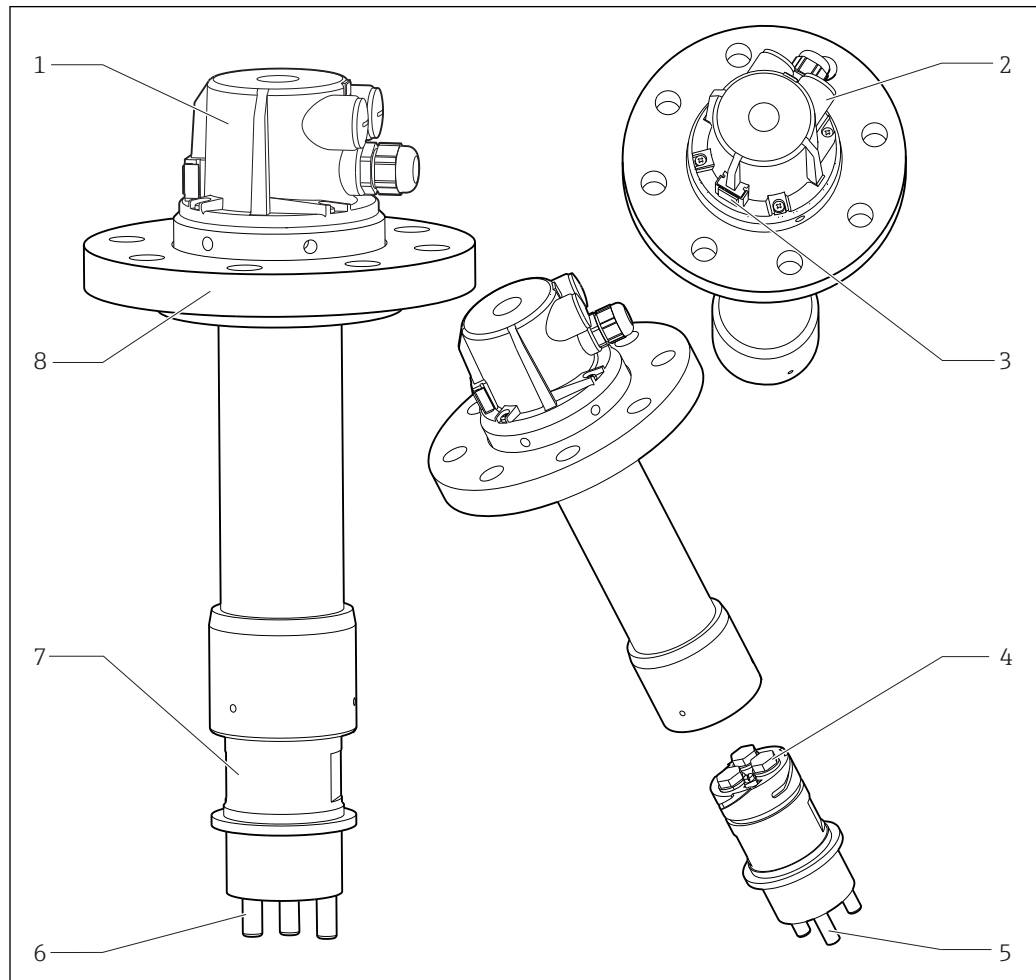
2 Pressure-temperature ratings

- a Stainless steel version
- a PVDF version

## Mechanical construction

Design

PVDF version

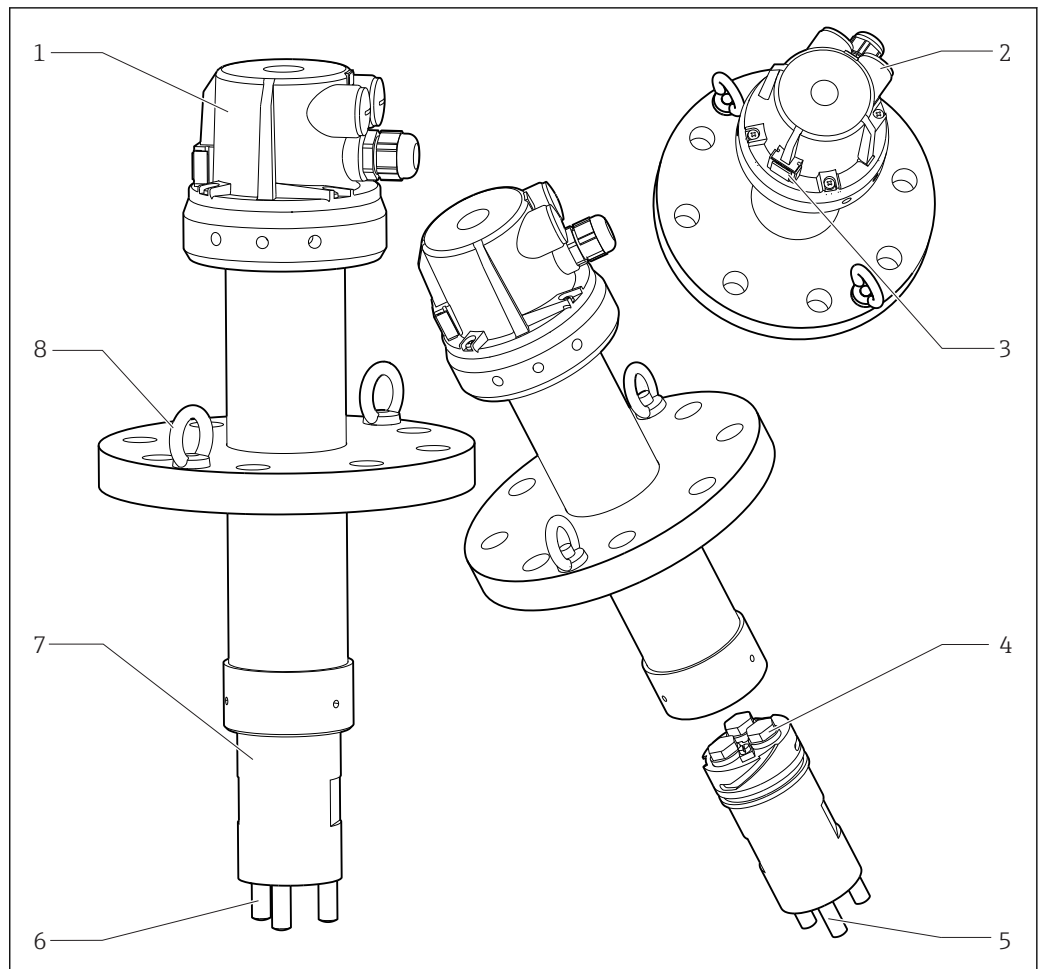


A0037531

### 3 PVDF version

- 1 Assembly head
- 2 Cable gland Pg 13.5 and 2x dummy plug Pg 16
- 3 GORE-TEX® filter
- 4 3 sensor slots for 120 mm sensors
- 5 Potential matching pin
- 6 Shock-protection stud
- 7 Sensor holder with bayonet lock
- 8 Lap joint flange, depending on version

Stainless steel version

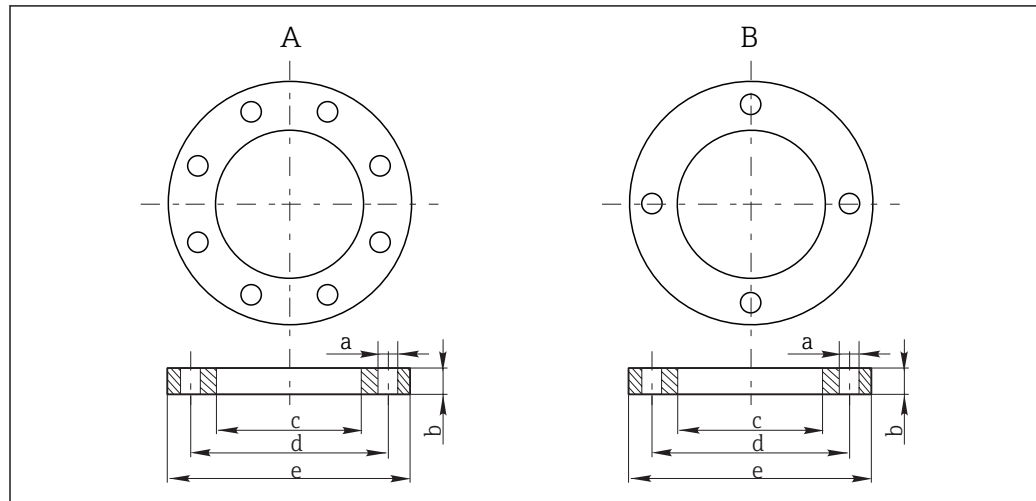


A0037532

4 Stainless steel version

- 1 Assembly head
- 2 Cable gland Pg 13.5 and 2x dummy plug Pg 16
- 3 GORE-TEX® filter
- 4 3 sensor slots for 120 mm sensors
- 5 Potential matching pin
- 6 Shock-protection stud
- 7 Sensor holder with bayonet lock
- 8 Installation aids (screw-in lifting eyes) and fixed flange, depending on the version

## Dimensions

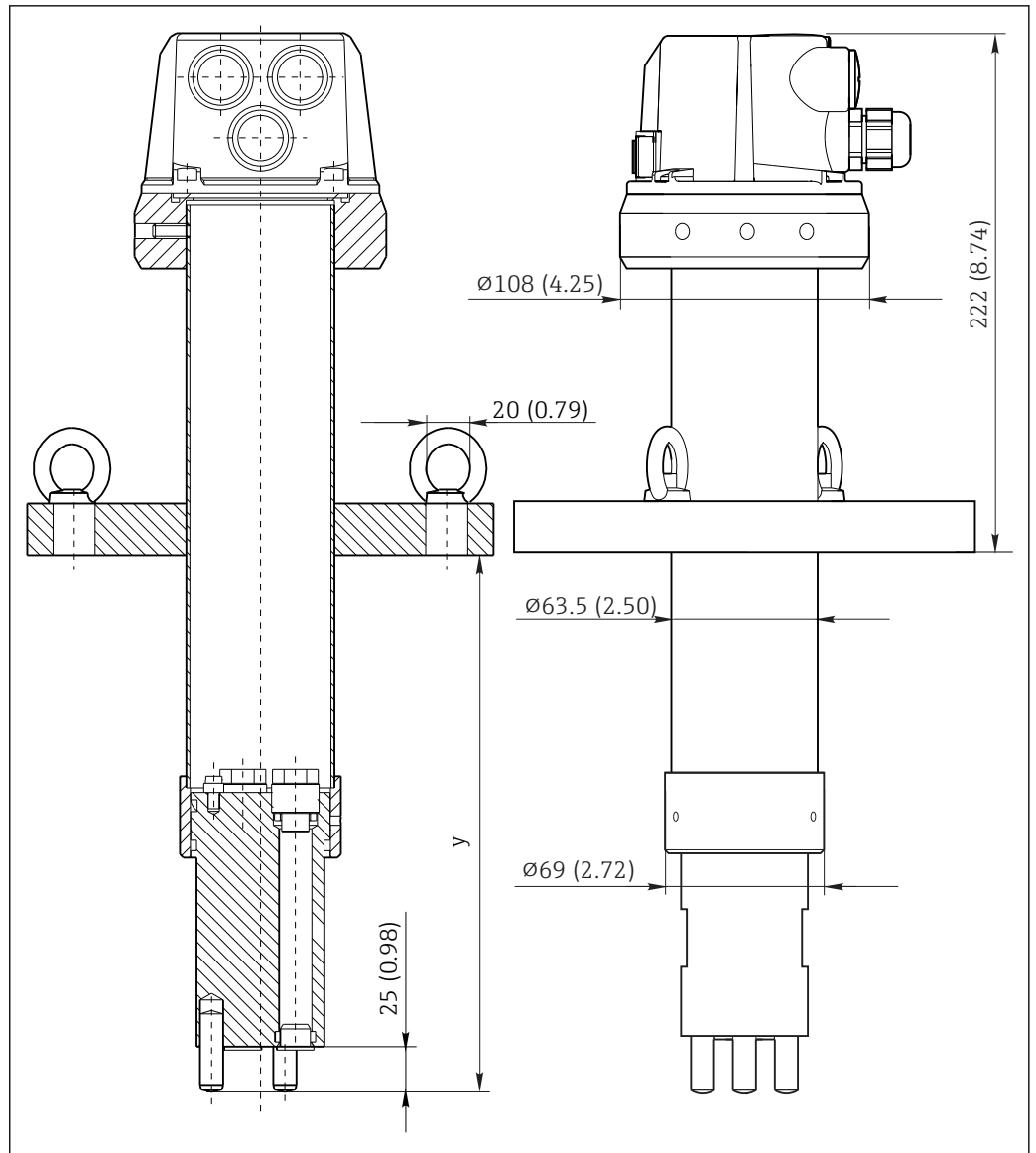


A0037380

5 Flange dimensions, → Table

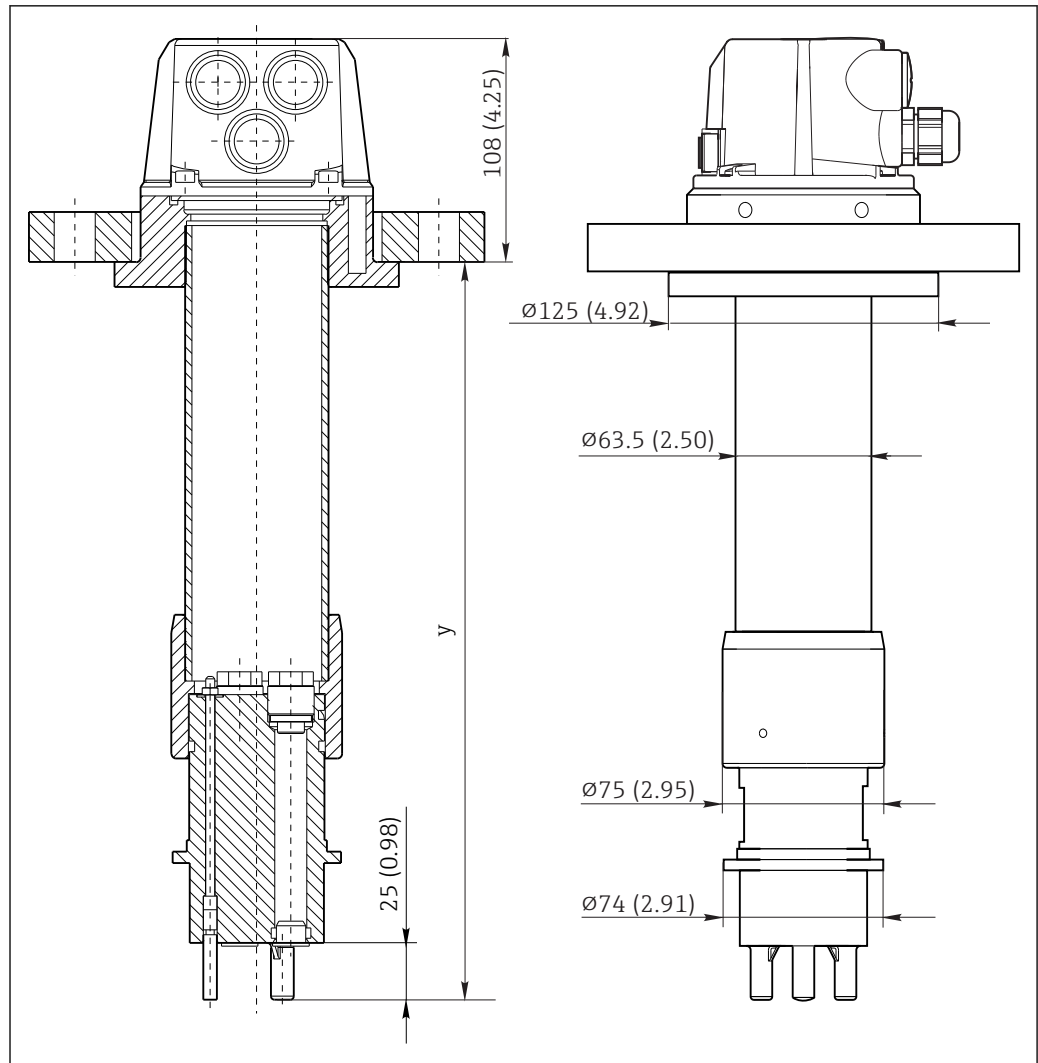
A Stainless steel version  
B PVDF version

	Stainless steel assembly version			PVDF assembly version		
	DN80 PN16	ANSI 3" 150 lbs	JIS 10K 80A	DN80 PN16	ANSI 3" 150 lbs	JIS 10K 80A
a [mm (in)]	18 (0.71)	19 (0.75)	19 (0.75)	18 (0.71)	19 (0.75)	19 (0.75)
b [mm (in)]	20 (0.79)	23.8 (0.94)	18 (0.71)	22 (0.87)	22 (0.87)	18 (0.71)
c [mm (in)]	63.5 (2.50)	63.5 (2.50)	63.5 (2.50)	110 (4.33)	110 (4.33)	110 (4.33)
d [mm (in)]	160 (6.30)	152.4 (6.00)	150 (5.91)	160 (6.30)	152 (5.98)	150 (5.91)
e [mm (in)]	200 (7.87)	190.5 (7.50)	185 (7.28)	200 (7.87)	200 (7.87)	185 (7.28)
Screws	M16	M16	M16	M16	M16	M16
Bore holes	8	4	4	8	4	4



A0037561

6 Stainless steel version, dimensions in mm (in)  
 y Immersion depth, → Configurator on product page



A0037563

7 PVDF version, dimensions in mm (in)

y Immersion depth, → Configurator on product page

**Weight**

Depends on version (material, immersion depth):

PVDF 2.5 to 3.0 kg (5.5 to 6.6 lbs)

Stainless steel 8.0 to 12.0 kg (17.6 to 26.5 lbs)

**Materials**

*In contact with medium, depending on version*

Immersion tube	PVDF / stainless steel 1.4404 (AISI 316L)
O-rings	EPDM / VITON / Chemraz / Fluoraz
Sensor holder	PVDF / stainless steel 1.4404 (AISI 316L)
Potential matching pin	Alloy C4 / tantalum / stainless steel 1.4401 (AISI 316)
Shock-protection stud	PVDF / stainless steel 1.4401 (AISI 316)
Dummy plug	PEEK



*Not in contact with medium, depending on version*

Assembly head	PP-GF 20
Lap joint flange	UP-GF / stainless steel 1.4404 (AISI 316L)
Installation aids <sup>1)</sup>	Stainless steel 1.4301 (AISI 304)

1) Only for stainless steel version

<b>Process connections</b>	Depending on version: <ul style="list-style-type: none"> <li>■ None</li> <li>■ Flange DN 80 / PN 16</li> <li>■ Flange ANSI 3" / 150 lbs</li> <li>■ Flange JIS 10K 80A</li> </ul>
----------------------------	--

<b>Cable glands</b>	1 x Pg 13.5 and 2 x dummy plug Pg 16
---------------------	--------------------------------------

<b>Sensor mounting slots</b>	3 x Pg 13.5
------------------------------	-------------

<b>Immersion depth</b>	Depending on version: <ul style="list-style-type: none"> <li>■ 500 mm (19.7 in)</li> <li>■ 1000 mm (39.4 in)</li> <li>■ 1500 mm (59.1 in)</li> <li>■ 2000 mm (78.7 in)</li> <li>■ 2500 mm (98.4 in)</li> </ul>
------------------------	--


## Certificates and approvals

<b>Pressure Equipment Directive 2014/68/EU</b>	The assembly has been manufactured according to good engineering practice as per Article 4, Paragraph 3 of the Pressure Equipment Directive 2014/68/EU and is therefore not required to bear the CE label.
--	--

<b>Inspection certificate</b>	A test certificate 3.1 in accordance with EN 10204 is supplied depending on the version (→ Product Configurator on the product page).
-------------------------------	---

## Ordering information

<b>Product page</b>	<a href="http://www.endress.com/cpa140">www.endress.com/cpa140</a>
---------------------	--

<b>Product Configurator</b>	<p>On the product page there is a <b>Configure</b> button to the right of the product image.</p> <ol style="list-style-type: none"> <li>1. Click this button. <ul style="list-style-type: none"> <li>↳ The Configurator opens in a separate window.</li> </ul> </li> <li>2. Select all the options to configure the device in line with your requirements. <ul style="list-style-type: none"> <li>↳ In this way, you receive a valid and complete order code for the device.</li> </ul> </li> <li>3. Export the order code as a PDF or Excel file. To do so, click the appropriate button on the right above the selection window.</li> </ol> <p> For many products you also have the option of downloading CAD or 2D drawings of the selected product version. Click the <b>CAD</b> tab for this and select the desired file type using picklists.</p>
-----------------------------	--

<b>Scope of delivery</b>	The scope of delivery comprises: <ul style="list-style-type: none"> <li>■ Ordered version of assembly</li> <li>■ Operating Instructions</li> </ul>
--------------------------	--

- ▶ If you have any queries:  
Please contact your supplier or local sales center.

## Accessories

The following are the most important accessories available at the time this documentation was issued.

- ▶ For accessories not listed here, please contact your Service or Sales Center.

---

### Sensors (selection)

#### Orbisint CPS11D / CPS11

- pH sensor for process technology
- Optional SIL version for connecting to SIL transmitter
- With dirt-repellent PTFE diaphragm
- Product Configurator on the product page: [www.endress.com/cps11d](http://www.endress.com/cps11d) or [www.endress.com/cps11](http://www.endress.com/cps11)

 Technical Information TI00028C


#### Ceraliquid CPS41D / CPS41

- pH electrode with ceramic junction and KCl liquid electrolyte
- Product Configurator on the product page: [www.endress.com/cps41d](http://www.endress.com/cps41d) or [www.endress.com/cps41](http://www.endress.com/cps41)

 Technical Information TI00079C


#### Orbipore CPS91D

pH electrode with open aperture for media with high dirt load

 Technical Information TI00375C

#### Orbisint CPS12D / CPS12

- ORP sensor for process technology
- Product Configurator on the product page: [www.endress.com/cps12d](http://www.endress.com/cps12d) or [www.endress.com/cps12](http://www.endress.com/cps12)

 Technical Information TI00367C


#### Ceraliquid CPS42D / CPS42

- ORP electrode with ceramic junction and KCl liquid electrolyte
- Product Configurator on the product page: [www.endress.com/cps42d](http://www.endress.com/cps42d) or [www.endress.com/cps42](http://www.endress.com/cps42)

 Technical Information TI00373C

#### Memosens CPS16D

- Combined pH/ORP sensor for process technology
- With dirt-repellent PTFE diaphragm
- With Memosens technology
- Product Configurator on the product page: [www.endress.com/cps16D](http://www.endress.com/cps16D)

 Technical Information TI00503C

#### Memosens CPS96D

- Combined pH/ORP sensor for chemical processes
- With poison-resistant reference with ion trap
- With Memosens technology
- Product Configurator on the product page: [www.endress.com/cps96d](http://www.endress.com/cps96d)

 Technical Information TI00507C

#### Oxymax COS22D / COS22

- Sterilizable sensor for dissolved oxygen
- With Memosens technology or as an analog sensor
- Product Configurator on the product page: [www.endress.com/cos22d](http://www.endress.com/cos22d) or [www.endress.com/cos22](http://www.endress.com/cos22)

 Technical Information TI00446C

**Memosens COS81D**

- Sterilizable, optical sensor for dissolved oxygen
- With Memosens technology
- Product Configurator on the product page: [www.endress.com/cos81d](http://www.endress.com/cos81d)



Technical Information TI01201C

**Measuring cable****Memosens data cable CYK10**

- For digital sensors with Memosens technology
- Product Configurator on the product page: [www.endress.com/cyk10](http://www.endress.com/cyk10)



Technical Information TI00118C

**Memosens data cable CYK11**

- Extension cable for digital sensors with Memosens protocol
- Product Configurator on the product page: [www.endress.com/cyk11](http://www.endress.com/cyk11)



Technical Information TI00118C

**Measuring cable CPK9**

- Terminated measuring cable for connecting analog sensors with TOP68 plug-in head
- Selection in accordance with product structure
- Ordering information: Endress+Hauser sales office or [www.endress.com](http://www.endress.com).

**Measuring cable CPK12**

- Terminated measuring cable for connecting analog ISFET sensors with TOP68 plug-in head
- Selection in accordance with product structure
- Ordering information: Endress+Hauser sales office or [www.endress.com](http://www.endress.com)

**KCl supply vessel**

## Electrolyte vessel CPY7B

- Storage container for KCl electrolyte, 200 ml
- Product Configurator on the product page: [www.endress.com/cpy7b](http://www.endress.com/cpy7b)



Operating Instructions BA00128C

**Cleaning****Chemoclean CPR31**

- Spray system to clean pH, ORP and temperature sensors
- Spray head and PVDF check valve, EPDM or VITON O-rings, EPDM hose, reinforced
- Cleaner up to 6 bar (87 psi) absolute, maximum 30 °C (86 °F)
- Order according to product order structure



Operating Instructions BA00201C

[www.addresses.endress.com](http://www.addresses.endress.com)

---