

Technical Information

Proline Promass 80H, 83H

Coriolis flowmeter



The chemically resistant single-tube with a compact or remote transmitter

Application

- Measuring principle operates independently of physical fluid properties such as viscosity or density
- Measuring highly accurately liquids and gases in applications requiring highest corrosion resistance

Device properties

- Measuring tube made of Tantalum, Zirconium
- Nominal diameter: DN 8 to 50 ($\frac{3}{8}$ to 2")
- Medium temperature up to +200 °C (+392 °F)
- 4-line backlit display with touch control (Promass 83)
- Device in compact or remote version
- HART, PROFIBUS PA/DP, Modbus RS485, FF, EtherNet/IP (Promass 83)

Your benefits

- Maximum safety for chemically aggressive fluids – corrosion-resistant wetted parts
- Fewer process measuring points – multivariable measurement (flow, density, temperature)
- Space-saving installation – no in/outlet run needs
- Safe operation – display provides easy readable process information
- Quality – software for filling & dosing, density & concentration, advanced diagnostics (Promass 83)
- Automatic recovery of data for servicing
- Fully industry compliant – IEC/EN/NAMUR

Table of contents

Function and system design	3	Medium density	19
Measuring principle	3	Medium pressure range (nominal pressure)	19
Measuring system	4	Pressure-temperature ratings	19
Input	4	Limiting flow	20
Measured variable	4	Pressure loss	20
Measuring range	4	System pressure	20
Operable flow range	5	Heating	21
Input signal	5	Mechanical construction	22
Output	6	Design/dimensions	22
Output signal	6	Weight	31
Signal on alarm	7	Materials	32
Load	8	Process connections	32
Low flow cut off	8	Operability	32
Galvanic isolation	8	Local operation	32
Switching output	8	Language groups	33
Power supply	8	Remote operation	33
Terminal assignment	8	Certificates and approvals	33
Supply voltage	9	CE mark	33
Power consumption	9	C-Tick symbol	33
Power supply failure	10	Ex approval	33
Electrical connection	11	Functional safety	33
Electrical connection Remote version	12	FOUNDATION Fieldbus certification	33
Potential equalization	12	PROFIBUS DP/PA certification	33
Cable entries	12	Modbus certification	33
Cable specification	12	Pressure Equipment Directive	34
Performance characteristics	12	Other standards and guidelines	34
Reference operating conditions	12	Ordering Information	34
Maximum measured error	13	Accessories	35
Repeatability	14	Device-specific accessories	35
Response time	14	Communication-specific accessories	35
Influence of medium temperature	14	Service-specific accessories	35
Influence of medium pressure	15	System components	36
Design fundamentals	15	Documentation	36
Installation	16	Registered trademarks	36
Mounting location	16		
Orientation	17		
Installation instructions	18		
Inlet and outlet runs	18		
Length of connecting cable	18		
Special installation instructions	18		
Environment	18		
Ambient temperature range	18		
Storage temperature	18		
Degree of protection	18		
Shock resistance	18		
Vibration resistance	18		
Electromagnetic compatibility (EMC)	18		
Process	18		
Medium temperature range	18		

Function and system design

Measuring principle

The measuring principle is based on the controlled generation of Coriolis forces. These forces are always present when both translational and rotational movements are superimposed.

$$F_C = 2 \cdot \Delta m (v \cdot \omega)$$

F_C = Coriolis force

Δm = moving mass

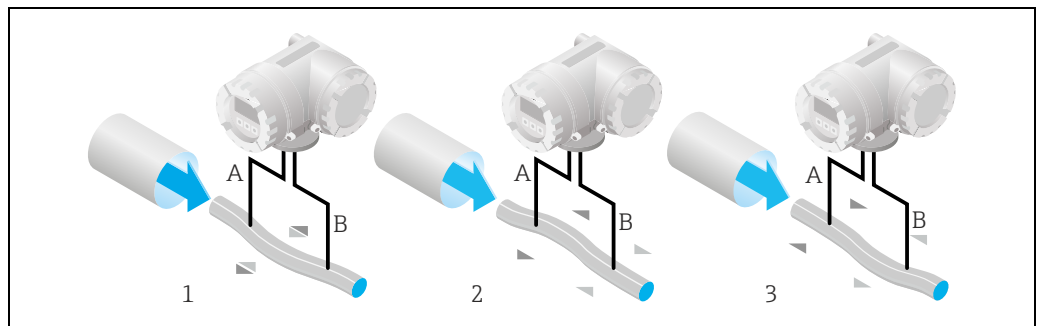
ω = rotational velocity

v = velocity of the moving mass in a rotating or oscillating system

The amplitude of the Coriolis force depends on the moving mass Δm , its velocity v in the system, and thus on the mass flow. Instead of a constant angular velocity ω , the Promass sensor uses oscillation.

This causes the tube through which the fluid is flowing to oscillate. The Coriolis forces produced at the measuring tubes cause a phase shift in the tube oscillations (see illustration):

- If there is zero flow, i.e. when the fluid stands still, the oscillation measured at points A and B has the same phase, and thus there is no phase difference (1).
- Mass flow causes deceleration of the oscillation at the inlet of the tubes (2) and acceleration at the outlet (3).



a000383

The phase difference (A-B) increases with increasing mass flow. Electrodynamic sensors register the tube oscillations at the inlet and outlet.

For the Promass H, the system balance is created by a counterweight that runs parallel to the measuring tube. This counterweight oscillates in antiphase to the measuring tubes and thus creates a balanced system. The patented ITB™ (Intrinsic Tube Balance) system ensures balance and stability, thus providing accurate measurements over a wide range of process and environmental conditions. Therefore, the Promass H is just as easy to install as the familiar two-tube systems! Consequently, no special measures for attachment are required in front of or behind the sensor.

The measuring principle operates independently of temperature, pressure, viscosity, conductivity and flow profile.

Density measurement

The measuring tube is continuously excited at its resonance frequency. A change in the mass and thus the density of the oscillating system (comprising the measuring tube and fluid) results in a corresponding, automatic adjustment in the oscillation frequency. Resonance frequency is thus a function of fluid density. The microprocessor utilizes this relationship to obtain a density signal.

Temperature measurement

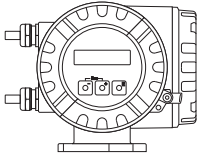
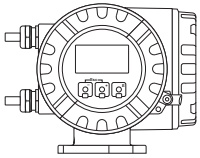
The temperature of the measuring tube is determined in order to calculate the compensation factor due to temperature effects. This signal corresponds to the process temperature and is also available as an output.

Measuring system

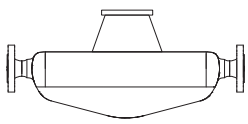
The measuring system consists of a transmitter and a sensor. Two versions are available:

- Compact version: transmitter and sensor form a mechanical unit.
- Remote version: transmitter and sensor are mounted physically separate from one another.

Transmitter

<p>Promass 80</p>  <p style="text-align: right; font-size: small;">a0003671</p>	<ul style="list-style-type: none"> ▪ Two-line liquid-crystal display ▪ Operation with push buttons
<p>Promass 83</p>  <p style="text-align: right; font-size: small;">a0003672</p>	<ul style="list-style-type: none"> ▪ Four-line liquid-crystal display ▪ Operation with "Touch control" ▪ Application-specific Quick Setup ▪ Mass flow, volume flow, density and temperature measurement as well as calculated variables (e.g. fluid concentrations)

Sensor

<p>H</p>  <p style="text-align: right; font-size: small;">a0003677</p>	<ul style="list-style-type: none"> ▪ Single bent tube. Low pressure loss and chemically resistant material ▪ Nominal diameters DN 8 to 50 (3/8" to 2") ▪ Material: <ul style="list-style-type: none"> - Sensor: Stainless Steel 1.4301 (304L) - Measuring tube: Zirconium 702 (UNS R60702); Tantal 2.5W - Process connections: Stainless Steel: 1.4301 (F304); fluid wetted parts: Zirconium 702 (UNS R60702); Tantal
--	--

Input

Measured variable

- Mass flow (proportional to the phase difference between two sensors mounted on the measuring tube to register a phase shift in the oscillation)
- Fluid density (proportional to resonance frequency of the measuring tube)
- Fluid temperature (measured with temperature sensors)

Measuring range

Measuring ranges for liquids

DN		Range for full scale values (liquids) $\dot{m}_{\min(F)}$ to $\dot{m}_{\max(F)}$	
[mm]	[in]	[kg/h]	[lb/min]
8	3/8	0 to 2000	0 to 73.50
15	1/2	0 to 6500	0 to 238.9
25	1	0 to 18000	0 to 661.5
40	1 1/2	0 to 45000	0 to 1654
50	2	0 to 70000	0 to 2573

Measuring ranges for gases

The full scale values depend on the density of the gas. Use the formula below to calculate the full scale values:

$$\dot{m}_{\max(G)} = \dot{m}_{\max(F)} \cdot \rho_{(G)} / x \text{ [kg/m}^3\text{]}$$

$$\dot{m}_{\max(G)} = \text{max. full scale value for gas [kg/h]}$$

$$\dot{m}_{\max(F)} = \text{max. full scale value for liquid [kg/h]}$$

$$\rho_{(G)} = \text{Gas density in [kg/m}^3\text{] at operating conditions}$$

DN		x
[mm]	[in]	
8	3/8	60
15	1/2	80
25	1	90

Here, $\dot{m}_{\max(G)}$ can never be greater than $\dot{m}_{\max(F)}$

Calculation example for gas:

- Sensor type: Promass H, DN 15
- Gas: air with a density of 60.3 kg/m³ (at 20 °C and 50 bar)
- Measuring range (liquid): 6 500 kg/h
- x = 80

Max. possible full scale value:

$$\dot{m}_{\max(G)} = \dot{m}_{\max(F)} \cdot \rho_{(G)} \div x \text{ [kg/m}^3\text{]} = 6\,500 \text{ kg/h} \cdot 60.3 \text{ kg/m}^3 \div 80 \text{ kg/m}^3 = 4\,900 \text{ kg/h}$$

Recommended full scale values

See information in the "Limiting flow" section → 20 ff.

Operable flow range

Greater than 1000: 1. Flow rates above the preset full scale value do not overload the amplifier, i.e. the totalizer values are registered correctly.

Input signal

Status input (auxiliary input)

U = 3 to 30 V DC, R_i = 5 kΩ, galvanically isolated.

Configurable for: totalizer reset, positive zero return, error message reset, zero point adjustment start, batching start/stop (optional), totalizer reset for batching (optional).

Status input (auxiliary input) with PROFIBUS DP

U = 3 to 30 V DC, R_i = 3 kΩ, galvanically isolated.

Switch level: ±3 to ±30 V DC, independent of polarity.

Configurable for: positive zero return, error message reset, zero point adjustment start, batching start/stop (optional), totalizer reset for batching (optional).

Status input (auxiliary input) with Modbus RS485

U = 3 to 30 V DC, R_i = 3 kΩ, galvanically isolated.

Switch level: ±3 to ±30 V DC, independent of polarity.

Configurable for: totalizer reset, positive zero return, error message reset, zero point adjustment start.

Current input (only Promass 83)

Active/passive selectable, galvanically isolated, resolution: 2 µA

- Active: 4 to 20 mA, R_L < 700 Ω, U_{out} = 24 V DC, short-circuit proof
- Passive: 0/4 to 20 mA, R_i = 150 Ω, U_{max} = 30 V DC

Output

Output signal

Promass 80

Current output

Active/passive selectable, galvanically isolated, time constant selectable (0.05 to 100 s), full scale value selectable, temperature coefficient: typically 0.005% o.f.s./°C, resolution: 0.5 µA

- Active: 0/4 to 20 mA, $R_L < 700 \Omega$ (for HART: $R_L \geq 250 \Omega$)
- Passive: 4 to 20 mA; supply voltage U_S 18 to 30 V DC; $R_i \geq 150 \Omega$

Pulse/frequency output

Passive, open collector, 30 V DC, 250 mA, galvanically isolated.

- Frequency output: full scale frequency 2 to 1000 Hz ($f_{\max} = 1250$ Hz), on/off ratio 1:1, pulse width max. 2 s
- Pulse output: pulse value and pulse polarity selectable, pulse width configurable (0.5 to 2000 ms)

PROFIBUS PA interface

- PROFIBUS PA in accordance with EN 50170 Volume 2, IEC 61158-2 (MBP), galvanically isolated
- Profile Version 3.0
- Current consumption: 11 mA
- Permitted supply voltage: 9 to 32 V
- Bus connection with integrated reverse polarity protection
- Error current FDE (Fault Disconnection Electronic): 0 mA
- Data transmission rate: 31.25 kBit/s
- Signal encoding: Manchester II
- Function blocks: 4 x Analog Input, 2 x Totalizer
- Output data: Mass flow, Volume flow, Density, Temperature, Totalizer
- Input data: Positive zero return (ON/OFF), Zero point adjustment, Measuring mode, Totalizer control
- Bus address can be configured via miniature switches or via the local display (optional)

Promass 83

Current output

Active/passive selectable, galvanically isolated, time constant selectable (0.05 to 100 s), full scale value selectable, temperature coefficient: typically 0.005% o.f.s./°C, resolution: 0.5 µA


- Active: 0/4 to 20 mA, $R_L < 700 \Omega$ (for HART: $R_L \geq 250 \Omega$)
- Passive: 4 to 20 mA; supply voltage U_S 18 to 30 V DC; $R_i \geq 150 \Omega$

Pulse/frequency output


Active/passive selectable, galvanically isolated

- Active: 24 V DC, 25 mA (max. 250 mA during 20 ms), $R_L > 100 \Omega$
- Passive: open collector, 30 V DC, 250 mA
- Frequency output: full scale frequency 2 to 10000 Hz ($f_{\max} = 12500$ Hz), on/off ratio 1:1, pulse width max. 2 s
- Pulse output: pulse value and pulse polarity selectable, pulse width configurable (0.05 to 2000 ms)


PROFIBUS DP interface

- PROFIBUS DP in accordance with EN 50170 Volume 2
- Profile Version 3.0
- Data transmission rate: 9.6 kBaud to 12 MBaud
- Automatic data transmission rate recognition
- Signal encoding: NRZ Code
- Function blocks: 6 x Analog Input, 3 x Totalizer
- Output data: Mass flow, Volume flow, Corrected volume flow, Density, Reference density, Temperature, Totalizers 1 to 3
- Input data: Positive zero return (ON/OFF), Zero point adjustment, Measuring mode, Totalizer control
- Bus address can be configured via miniature switches or via the local display (optional)
- Available output combination →  4

PROFIBUS PA interface

- PROFIBUS PA in accordance with EN 50170 Volume 2, IEC 61158-2 (MBP), galvanically isolated
- Data transmission rate: 31.25 kBit/s
- Current consumption: 11 mA
- Permitted supply voltage: 9 to 32 V
- Bus connection with integrated reverse polarity protection
- Error current FDE (Fault Disconnection Electronic): 0 mA
- Signal encoding: Manchester II
- Function blocks: 6 x Analog Input, 3 x Totalizer
- Output data: Mass flow, Volume flow, Corrected volume flow, Density, Reference density, Temperature, Totalizers 1 to 3
- Input data: Positive zero return (ON/OFF), Zero point adjustment, Measuring mode, Totalizer control
- Bus address can be configured via miniature switches or via the local display (optional)
- Available output combination →  4

Modbus interface

- Modbus device type: slave
- Address range: 1 to 247
- Supported function codes: 03, 04, 06, 08, 16, 23
- Broadcast: supported with the function codes 06, 16, 23
- Physical interface: RS485 in accordance with EIA/TIA-485 standard
- Supported baud rate: 1 200, 2 400, 4 800, 9 600, 19 200, 38 400, 57 600, 115 200 Baud
- Transmission mode: RTU or ASCII
- Response times:
 - Direct data access = typically 25 to 50 ms
 - Auto-scan buffer (data range) = typically 3 to 5 ms
- Possible output combinations →  4

FOUNDATION Fieldbus interface

- FOUNDATION Fieldbus H1, IEC 61158-2, galvanically isolated
- Data transmission rate: 31.25 kBit/s
- Current consumption: 12 mA
- Permitted supply voltage: 9 to 32 V
- Error current FDE (Fault Disconnection Electronic): 0 mA
- Bus connection with integrated reverse polarity protection
- Signal encoding: Manchester II
- ITK Version 5.01
- Function blocks:
 - 8 × Analog Input (Execution time: each 18 ms)
 - 1 × Digital Output (18 ms)
 - 1 × PID (25 ms)
 - 1 × Arithmetic (20 ms)
 - 1 × Input Selector (20 ms)
 - 1 × Signal Characterizer (20 ms)
 - 1 × Integrator (18 ms)
- Number of VCRs: 38
- Number of link objects in VFD: 40
- Output data: Mass flow, Volume flow, Corrected volume flow, Density, Reference density, Temperature, Totalizers 1 to 3
- Input data: Positive zero return (ON/OFF), Zero point adjustment, Measuring mode, Reset totalizer
- Link Master (LM) function is supported

Signal on alarm

Current output

Failsafe mode selectable (e.g. in accordance with NAMUR Recommendation NE 43)

Pulse/frequency output

Failsafe mode selectable

Status output (Promass 80)

Nonconductive in the event of a fault or if the power supply fails

Relay output (Promass 83)

Dead in the event of a fault or if the power supply fails

Load	see "Output signal"
Low flow cut off	Switch points for low flow cut off are selectable.
Galvanic isolation	All circuits for inputs, outputs, and power supply are galvanically isolated from each other.
Switching output	<p>Status output (Promass 80)</p> <ul style="list-style-type: none"> ▪ Open collector ▪ max. 30 V DC / 250 mA ▪ galvanically isolated ▪ Configurable for: error messages, Empty Pipe Detection (EPD), flow direction, limit values <p>Relay output (Promass 83)</p> <ul style="list-style-type: none"> ▪ max. 30 V / 0.5 A AC; 60 V / 0.1 A DC ▪ galvanically isolated ▪ Normally closed (NC or break) or normally open (NO or make) contacts available (factory setting: relay 1 = NO, relay 2 = NC)

Power supply

Terminal assignment

Promass 80

Order characteristic for "inputs/outputs"	Terminal No. (inputs/outputs)			
	20 (+) / 21 (-)	22 (+) / 23 (-)	24 (+) / 25 (-)	26 (+) / 27 (-)
A	-	-	Frequency output	Current output, HART
D	Status input	Status output	Frequency output	Current output, HART
H	-	-	-	PROFIBUS PA
S	-	-	Frequency output Ex i, passive	Current output Ex i active, HART
T	-	-	Frequency output Ex i, passive	Current output Ex i passive, HART
8	Status input	Frequency output	Current output 2	Current output 1, HART

Promass 83

The inputs and outputs on the communication board can be either permanently assigned (fixed) or variable (flexible), depending on the version ordered (see table). Replacements for modules which are defective or which have to be replaced can be ordered as accessories.

Order characteristic for "inputs/outputs"	Terminal No. (inputs/outputs)			
	20 (+) / 21 (-)	22 (+) / 23 (-)	24 (+) / 25 (-)	26 (+) / 27 (-)
<i>Fixed communication boards (permanent assignment)</i>				
A	-	-	Frequency output	Current output, HART
B	Relay output	Relay output	Frequency output	Current output, HART
F	-	-	-	PROFIBUS PA, Ex i
G	-	-	-	FOUNDATION Fieldbus Ex i
H	-	-	-	PROFIBUS PA
J	-	-	+5V (ext. termination)	PROFIBUS DP
K	-	-	-	FOUNDATION Fieldbus
Q	-	-	Status input	Modbus RS485
R	-	-	Current output 2 Ex i, active	Current output 1 Ex i active, HART
S	-	-	Frequency output Ex i, passive	Current output Ex i Active, HART
T	-	-	Frequency output Ex i, passive	Current output Ex i Passive, HART
U	-	-	Current output 2 Ex i, passive	Current output 1 Ex i passive, HART
<i>Flexible communication boards</i>				
C	Relay output 2	Relay output 1	Frequency output	Current output, HART
D	Status input	Relay output	Frequency output	Current output, HART
E	Status input	Relay output	Current output 2	Current output 1, HART
L	Status input	Relay output 2	Relay output 1	Current output, HART
M	Status input	Freq. output 2	Frequency output 1	Current output, HART
N	Current output	Frequency output	Status input	Modbus RS485

Order characteristic for "inputs/outputs"	Terminal No. (inputs/outputs)			
	20 (+) / 21 (-)	22 (+) / 23 (-)	24 (+) / 25 (-)	26 (+) / 27 (-)
P	Current output	Frequency output	Status input	PROFIBUS DP
V	Relay output 2	Relay output 1	Status input	PROFIBUS DP
W	Relay output	Current output 3	Current output 2	Current output 1, HART
0	Status input	Current output 3	Current output 2	Current output 1, HART
2	Relay output	Current output 2	Frequency output	Current output 1, HART
3	Current input	Relay output	Current output 2	Current output 1, HART
4	Current input	Relay output	Frequency output	Current output, HART
5	Status input	Current input	Frequency output	Current output, HART
6	Status input	Current input	Current output 2	Current output 1, HART
7	Relay output 2	Relay output 1	Status input	Modbus RS485

Supply voltage 85 to 260 V AC, 45 to 65 Hz
20 to 55 V AC, 45 to 65 Hz
16 to 62 V DC

Power consumption AC: <15 VA (including sensor)
DC: <15 W (including sensor)

Switch-on current:

- Max. 13.5 A (<50 ms) at 24 V DC
- Max. 3 A (<5 ms) at 260 V AC

Power supply failure **Promass 80**

Lasting min. 1 power cycle:

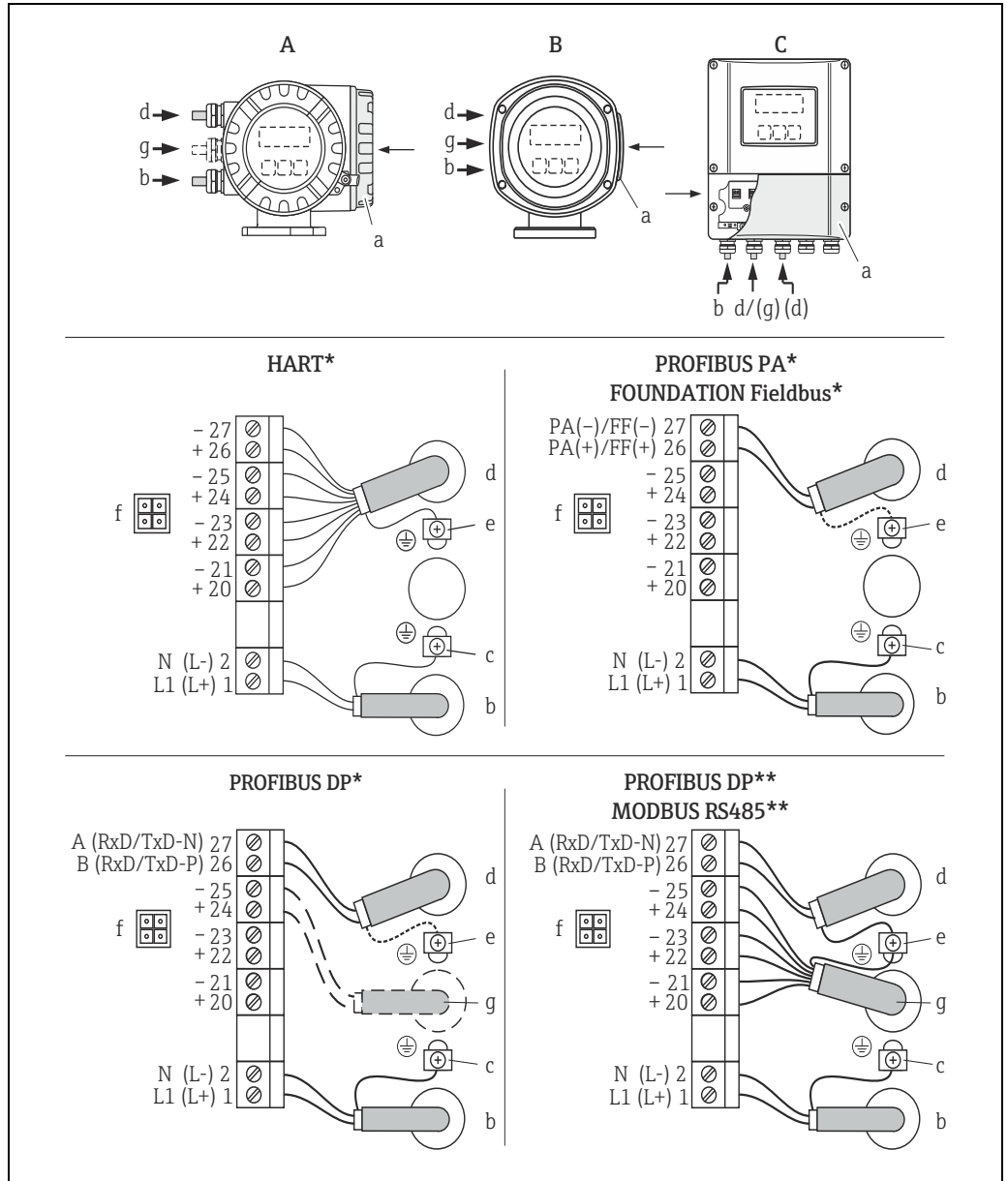
- EEPROM saves measuring system data if the power supply fails.
- HistoROM/S-DAT: exchangeable data storage chip with sensor specific data (nominal diameter, serial number, calibration factor, zero point, etc.).

Promass 83

Lasting min. 1 power cycle:

- EEPROM and T-DAT save the measuring system data if the power supply fails.
- HistoROM/S-DAT: exchangeable data storage chip with sensor specific data (nominal diameter, serial number, calibration factor, zero point, etc.).

Electrical connection



Connecting the transmitter, cable cross-section: max. 2.5 mm²

- A View A (field housing)
- B View B (stainless steel field housing)
- C View C (wall-mount housing)

*) fixed communication board

**) flexible communication board

a Connection compartment cover

b Cable for power supply: 85 to 260 V AC, 20 to 55 V AC, 16 to 62 V DC

Terminal No. 1: L1 for AC, L+ for DC

Terminal No. 2: N for AC, L- for DC

c Ground terminal for protective ground

d Signal cable: see Terminal assignment → 4

Fieldbus cable:

Terminal No. 26: DP / PA (+) / FF (+) / Modbus RS485 / (PA, FF: with reverse polarity protection)

Terminal No. 27: DP / PA (-) / FF (-) / Modbus RS485 / (PA, FF: with reverse polarity protection)

e Ground terminal for signal cable shield / fieldbus cable / RS485 line

f Service adapter for connecting service interface FXA 193 (FieldCare)

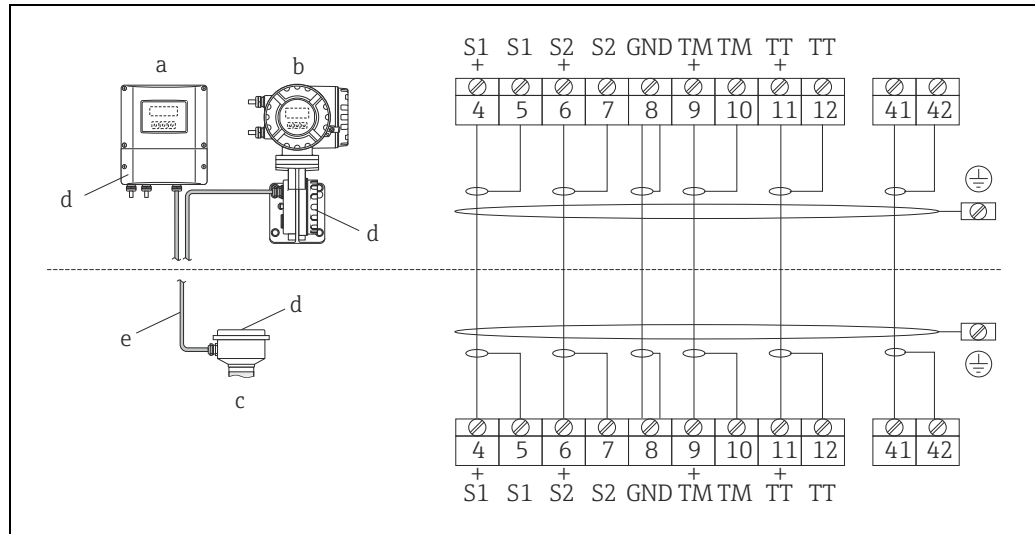
g Signal cable: see Terminal assignment → 4

g Cable for external termination (only for PROFIBUS DP with permanent assignment communication board):

Terminal No. 24: +5 V

Terminal No. 25: DGND

Electrical connection Remote version



Connecting the remote version

- a Wall-mount housing transmitter: non-hazardous area and ATEX II3G / zone 2 → see separate "Ex documentation"
- b Wall-mount housing transmitter: ATEX II2G / Zone 1 / FM/CSA → see separate "Ex documentation"
- c Connection housing sensor
- d Cover for connection compartment or connection housing
- e Connecting cable

Terminal No.: 4/5 = gray; 6/7 = green; 8 = yellow; 9/10 = pink; 1^{1/2} = white; 41/42 = brown

Potential equalization

No special measures for potential equalization are required. For instruments for use in hazardous areas, observe the corresponding guidelines in the specific Ex documentation.

Cable entries

Power-supply and signal cables (inputs/outputs):

- Cable entry M20 x 1.5 (8 to 12 mm / 0.31" to 0.47")
- Thread for cable entries, 1/2" NPT, G 1/2"

Connecting cable for remote version:

- Cable entry M20 x 1.5 (8 to 12 mm / 0.31" to 0.47")
- Thread for cable entries, 1/2" NPT, G 1/2"

Cable specification

- $6 \times 0.38 \text{ mm}^2$ (PVC cable with common shield and individually shielded cores)
- Conductor resistance: $\leq 50 \text{ } \Omega/\text{km}$ ($\leq 0.015 \text{ } \Omega/\text{ft}$)
- Capacitance: core/shield: $\leq 420 \text{ pF/m}$ ($\leq 128 \text{ pF/ft}$)
- Cable length: max. 20 m (65 ft)
- Permanent operating temperature: max. $+105 \text{ } ^\circ\text{C}$ ($+221 \text{ } ^\circ\text{F}$)

Operation in zones of severe electrical interference:

The measuring device complies with the general safety requirements in accordance with EN 61010, the EMC requirements of IEC/EN 61326, and NAMUR recommendation NE 21/43.

Performance characteristics

Reference operating conditions

- Error limits following ISO/DIN 11631
- Water with 15 to $45 \text{ } ^\circ\text{C}$ (59 to $113 \text{ } ^\circ\text{F}$); 2 to 6 bar (29 to 87 psi)
- Data according to calibration protocol
- Accuracy based on accredited calibration rigs according to ISO 17025

To obtain measured errors, use the Applicator sizing tool *Applicator*. → 35.

Maximum measured error o.r. = of reading; $1 \text{ g/cm}^3 = 1 \text{ kg/l}$; T = fluid temperature

Base accuracy

Mass and volume flow (liquids)

Zirconium 702 (UNS R60702) and Tantalum 2.5W

- Promass 83H: $\pm 0.10\%$ o.r.
- Promass 80H: $\pm 0.15\%$ o.r.

Mass flow (gases)

Tantalum 2.5W

Promass 83H, 80H: $\pm 0.50\%$ o.r.

Density (liquids)

Zirconium 702 (UNS R60702) and Tantalum 2.5W

- Reference conditions: $\pm 0.0005 \text{ g/cm}^3$
- Field density calibration: $\pm 0.0005 \text{ g/cm}^3$
(valid after a field density calibration under process conditions)
- Standard density calibration: $\pm 0.02 \text{ g/cm}^3$
(valid over the entire measuring range and density range → 18)
- Special density calibration: $\pm 0.002 \text{ g/cm}^3$
(optional, valid range: $+10$ to $+80 \text{ }^\circ\text{C}$ ($+50$ to $+176 \text{ }^\circ\text{F}$) and 0 to 2.0 g/cm^3)

Temperature

$\pm 0.5 \text{ }^\circ\text{C} \pm 0.005 \cdot T \text{ }^\circ\text{C}$ ($\pm 1 \text{ }^\circ\text{F} \pm 0.003 \cdot (T - 32) \text{ }^\circ\text{F}$)

Zero point stability

DN		Zero point stability	
[mm]	[in]	[kg/h]	[lb/min]
8	$\frac{3}{8}$	0.40	0.015
15	$\frac{1}{2}$	0.65	0.024
25	1	1.80	0.066
40	$1\frac{1}{2}$	9.00	0.331
50	2	14.00	0.514

Flow values

Flow values as turndown parameter depending on nominal diameter.

SI units

DN	1:1	1:10	1:20	1:50	1:100	1:500
[mm]	[kg/h]	[kg/h]	[kg/h]	[kg/h]	[kg/h]	[kg/h]
8	2000	200.0	100.0	40.00	20.00	4.000
15	6500	650.0	625.0	130.0	65.00	13.00
25	18000	1800	900.0	360.0	180.0	36.00
40	45000	4500	2250	900.0	450.0	90.00
50	70000	7000	3500	1400	700.0	140.0

US units

DN [in]	1:1 [lb/min]	1:10 [lb/min]	1:20 [lb/min]	1:50 [lb/min]	1:100 [lb/min]	1:500 [lb/min]
3/8"	73.50	7.350	3.675	1.470	0.735	0.147
1/2"	238.9	23.89	11.95	4.778	2.389	0.478
1"	661.5	66.15	33.08	13.23	6.615	1.323
1 1/2"	1654	165.4	82.70	33.08	16.54	3.308
2"	2573	257.3	128.7	51.46	25.73	5.146

Accuracy of outputs

o.r. = of reading; o.f.s. = of full scale value

The output accuracy must be factored into the measured error if analog outputs are used, but can be ignored for fieldbus outputs (e.g. Modbus RS485, EtherNet/IP).

*Current output*Accuracy: Max. $\pm 0.05\%$ o.f.s. or $\pm 5\ \mu\text{A}$ *Pulse/frequency output*Genauigkeit: Max. $\pm 50\%$ ppm o.r.**Repeatability**

Design fundamentals → 15.

o.r. = of reading; $1\ \text{g/cm}^3 = 1\ \text{kg/l}$; T = fluid temperature**Base repeatability****Mass flow and volume flow (liquids)***Zirconium 702 (UNS R60702) and Tantalum 2.5W*Promass 80H, 83H: $\pm 0.05\%$ o.r.**Mass flow (gases)***Tantalum 2.5W*Promass 80H, 83H: $\pm 0.25\%$ o.r.**Density (liquids)***Zirconium 702 (UNS R60702) and Tantalum 2.5W* $\pm 0.00025\ \text{g/cm}^3$ **Temperature** $\pm 0.25\ ^\circ\text{C} \pm 0,0025 \cdot T\ ^\circ\text{C} (\pm 0.45\ ^\circ\text{F} \pm 0.0015 \cdot (T-32)\ ^\circ\text{F})$ **Response time**

- The response time depends on the configuration (damping).
- Response time in the event of erratic changes in the measured variable (only mass flow): after 100 ms 95 % of the full scale value.

Influence of medium temperature

When there is a difference between the temperature for zero point adjustment and the process temperature, the typical measured error of the Promass sensor is $\pm 0.0002\%$ of the full scale value / $^\circ\text{C}$ ($\pm 0.0001\%$ of the full scale value / $^\circ\text{F}$).

Influence of medium pressure The table below shows the effect on accuracy of mass flow due to a difference between calibration pressure and process pressure.

DN		Promass H Zirconium 702 (UNS R60702)	Promass H Tantalum 2.5W
[mm]	[in]	[% o.r./bar]	[% o.r./bar]
8	$\frac{3}{8}$	-0.017	-0.007
15	$\frac{1}{2}$	-0.021	-0.005
25	1	-0.013	-0.015
40	$1\frac{1}{2}$	-0.018	-0.014
50	2	-0.015	-0.011

Design fundamentals

o.r. = of reading

BaseAccu = base accuracy in % o.r.

BaseRepeat = base repeatability in % o.r.

MeasValue = measured value (in flow units consistent with the zero point stability value → 13)

ZeroPoint = zero point stability

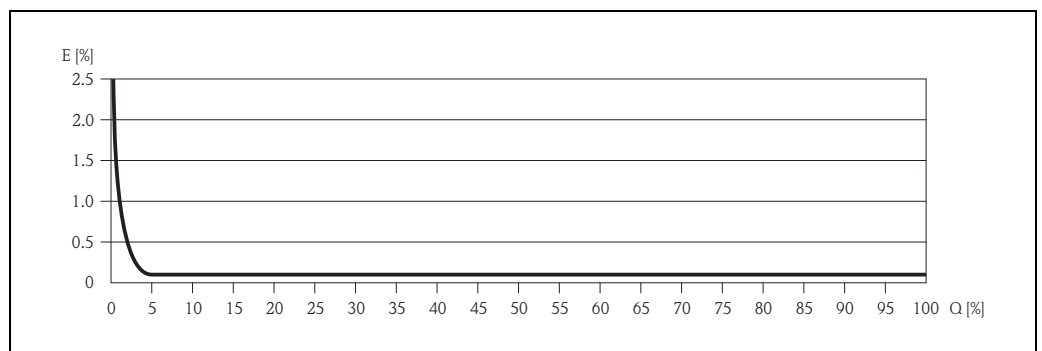
Calculation of the maximum measured error depending on flowrate

Flowrate (in flow units consistent with the zero point stability value → 13)	Maximum measured error in % o.r.
$\geq \frac{\text{ZeroPoint}}{\text{BaseAccu}} \cdot 100$ <small>A0021332</small>	$\pm \text{BaseAccu}$ <small>A0021339</small>
$< \frac{\text{ZeroPoint}}{\text{BaseAccu}} \cdot 100$ <small>A0021333</small>	$\pm \frac{\text{ZeroPoint}}{\text{MeasValue}} \cdot 100$ <small>A0021334</small>

Calculation of the repeatability depending on flowrate

Flowrate (in flow units consistent with the zero point stability value → 13)	Repeatability in % o.r.
$\geq \frac{\frac{1}{2} \cdot \text{ZeroPoint}}{\text{BaseRepeat}} \cdot 100$ <small>A0021335</small>	$\pm \text{BaseRepeat}$ <small>A0021340</small>
$< \frac{\frac{1}{2} \cdot \text{ZeroPoint}}{\text{BaseRepeat}} \cdot 100$ <small>A0021336</small>	$\pm \frac{1}{2} \cdot \frac{\text{ZeroPoint}}{\text{MeasValue}} \cdot 100$ <small>A0021337</small>

Example for maximum measured error



E = Error: Maximum measured error as % o.r. (example Promass 83H)

Q = Flow rate as %

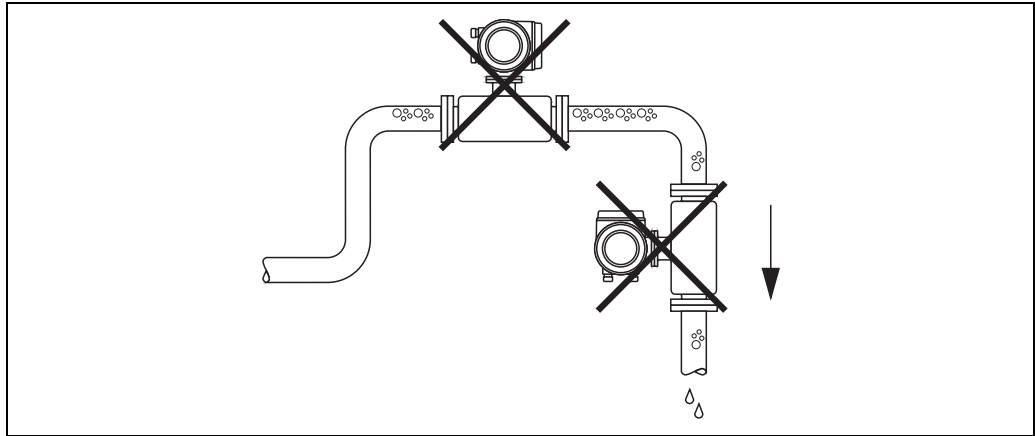
Installation

Mounting location

Entrained air or gas bubbles in the measuring tube can result in an increase in measuring errors.

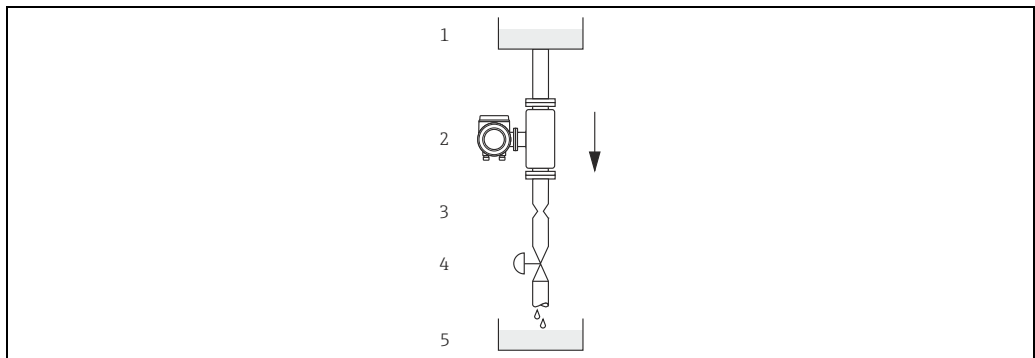
Therefore, avoid the following mounting locations in the pipe installation:

- Highest point of a pipeline. Risk of air accumulating.
- Directly upstream of a free pipe outlet in a vertical pipeline.



Mounting location

Notwithstanding the above, the installation proposal below permits installation in an open vertical pipeline. Pipe restrictions or the use of an orifice with a smaller cross-section than the nominal diameter prevent the sensor running empty while measurement is in progress.



Installation in a down pipe (e.g. for batching applications)

- 1 Supply tank
- 2 Sensor
- 3 Orifice plate, pipe restriction (see Table following page)
- 4 Valve
- 5 Batching tank

DN		Ø Orifice plate, pipe restriction	
[mm]	[in]	[mm]	[in]
8	$\frac{3}{8}$	6	0.24
15	$\frac{1}{2}$	10	0.39
25	1	14	0.55
40	$1\frac{1}{2}$	22	0.87
50	2	28	1.10

Orientation

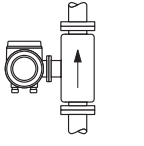
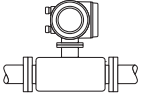
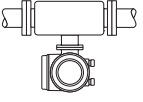
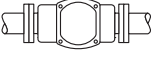
Make sure that the direction of the arrow on the nameplate of the sensor matches the direction of flow (direction of fluid flow through the pipe).

Vertical (Fig. V)

Recommended orientation with upward direction of flow. When fluid is not flowing, entrained solids will sink down and gases will rise away from the measuring tube. The measuring tubes can be completely drained and protected against solids buildup.

Horizontal (Fig. H1, H2, H3)

The transmitter can be installed in any orientation in a horizontal pipe run.

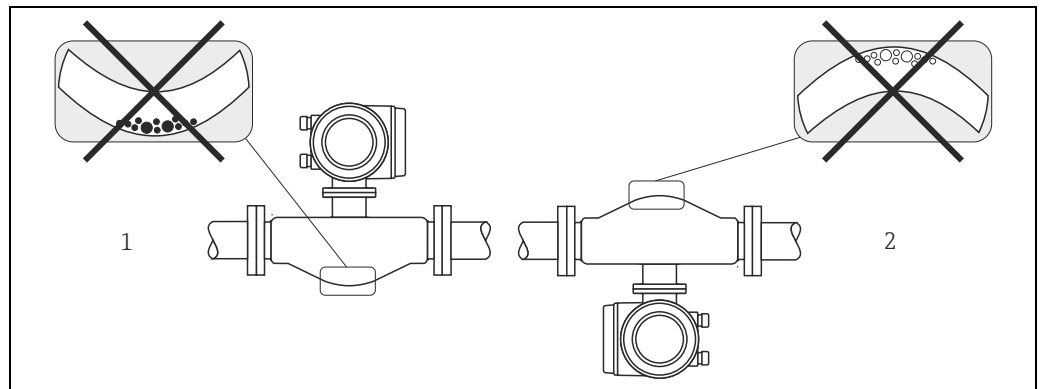
Orientation:	Vertikal	Horizontal, Transmitter head up	Horizontal, Transmitter head down	Horizontal, Transmitter head to the side
	 <p><i>Fig. V</i> a0004572</p>	 <p><i>Fig. H1</i> a0004576</p>	 <p><i>Fig. H2</i> a0004580</p>	 <p><i>Fig. H3</i> a0007558</p>
Standard, Compact version	✓✓	✓✓	✓✓	✓✓
Standard, Remote version	✓✓	✓✓	✓✓	✓✓

✓✓ = Recommended orientation
 ✓ = Orientation recommended in certain situations;
 ✗ = Impermissible orientation

In order to ensure that the permissible ambient temperature range for the transmitter (→ 18) is not exceeded, we recommend the following orientations:


- For fluids with very high temperatures we recommend the horizontal orientation with the transmitter head pointing downwards (Fig. H2) or the vertical orientation (Fig. V).
- For fluids with very low temperatures, we recommend the horizontal orientation with the transmitter head pointing upwards (Fig. H1) or the vertical orientation (Fig. V).

When using a bent measuring tube and horizontal installation, the position of the sensor has to be matched to the fluid properties!




Horizontal installation for sensors with a bent measuring tube

- Not suitable for fluids with entrained solids. Risk of solids accumulating.
- Not suitable for outgassing fluids. Risk of air accumulating.

Installation instructions	<p>Note the following points:</p> <ul style="list-style-type: none"> ■ No special measures such as supports are necessary. External forces are absorbed by the construction of the instrument, for example the secondary containment. ■ The high oscillation frequency of the measuring tubes ensures that the correct operation of the measuring system is not influenced by pipe vibrations. ■ No special precautions need to be taken for fittings which create turbulence (valves, elbows, T-pieces etc.), as long as no cavitation occurs. ■ For mechanical reasons and to protect the pipe, support is recommended for heavy sensors.
Inlet and outlet runs	There are no installation requirements regarding inlet and outlet runs.
Length of connecting cable	Max. 20 meters (65 ft), remote version
Special installation instructions	<p>Zero point adjustment</p> <p>All measuring devices are calibrated to state-of-the-art technology. Calibration takes place under reference operating conditions →  12. Consequently, the zero point adjustment is generally not necessary.</p> <p>Experience shows that the zero point adjustment is advisable only in special cases:</p> <ul style="list-style-type: none"> ■ To achieve highest measuring accuracy also with small flow rates ■ Under extreme process or operating conditions (e.g. very high process temperatures or very high-viscosity fluids).

Environment

Ambient temperature range	<p>Sensor, transmitter:</p> <ul style="list-style-type: none"> ■ Standard: -20 to +60 °C (-4 to +140 °F) ■ Optional: -40 to +60 °C (-40 to +140 °F) <p> Note!</p> <ul style="list-style-type: none"> ■ Install the device at a shady location. Avoid direct sunlight, particularly in warm climatic regions. ■ At ambient temperatures below -20 °C (-4 °F) the readability of the display may be impaired.
Storage temperature	-40 to +80 °C (-40 to +176 °F), preferably +20 °C (+68 °F)
Degree of protection	Standard: IP 67 (NEMA 4X) for transmitter and sensor
Shock resistance	According to IEC 68-2-31
Vibration resistance	Acceleration up to 1 g, 10 to 150 Hz, following IEC 68-2-6
Electromagnetic compatibility (EMC)	As per IEC/EN 61326 and NAMUR recommendation NE 21

Process

Medium temperature range	<p>Sensor</p> <p><i>Zirconium 702 (UNS R60702)</i></p> <p>-50 to +200 °C (-58 to +392 °F)</p> <p><i>Tantalum 2.5W</i></p> <p>-50 to +150 °C (-58 to +302 °F)</p>
---------------------------------	---

Medium density 0 to 5000 kg/m³ (0 to 312 lb/ft³)

Medium pressure range (nominal pressure)

Flanges

- according to DIN PN 40
- according to ASME B16.5 CI 150, CI 300
- JIS 10K, 20K

Pressure ranges of secondary containment

The sensor housing is filled with dry nitrogen and protects the electronics and mechanics inside.

DN		Secondary containment rating (designed with a safety factor ≥ 4)		Burst pressure of secondary containment	
[mm]	[in]	[bar]	[psi]	[bar]	[psi]
8	3/8	25	362	170	2465
15	1/2	25	362	160	2320
25	1	25	362	130	1885
40	1 1/2	16	232	85	1200
50	2	16	232	85	1200



Note!

In case a danger of measuring tube failure exists due to process characteristics, e.g. with corrosive process fluids, we recommend the use of sensors whose secondary containment is equipped with special pressure monitoring connections (ordering option). With the help of these connections, fluid collected in the secondary containment in the event of tube failure can be bled off. This is especially important in high pressure gas applications. These connections can also be used for gas circulation and/or gas detection (dimensions → 31).

Do not open the purge connections unless the containment can be filled immediately with a dry inert gas. Use only low gauge pressure to purge. Maximum pressure: 5 bar (72.5 psi).

If a device equipped with purge connections is connected to the purge system, the maximum pressure rating is defined by the purge system itself or the device, whichever is lower.

Pressure-temperature ratings

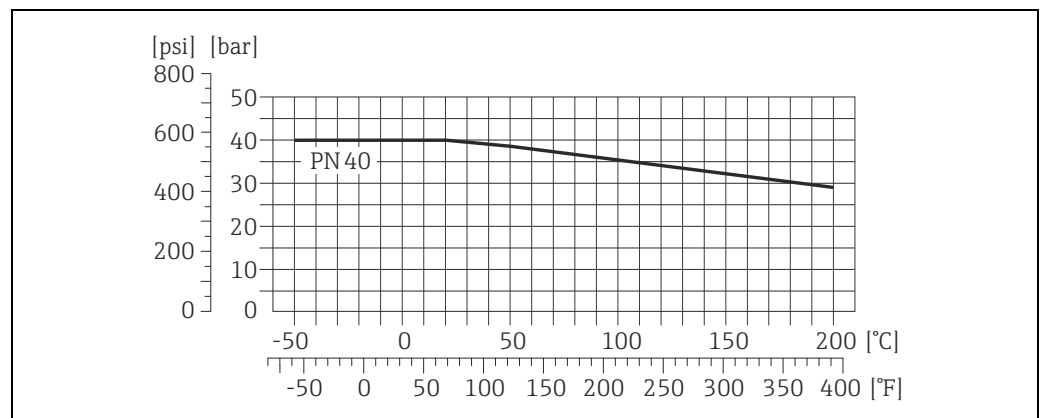


Warning!

The following pressure-temperature ratings refer to the entire sensor and not just the process connection.

Flange according to connection to EN 1092-1 (DIN 2501)

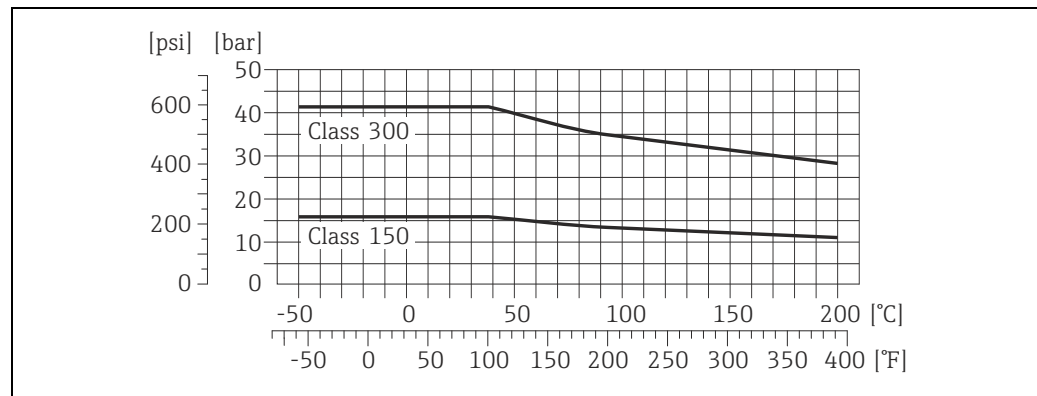
Flange material: 1.4301 (304); fluid wetted parts: Zirconium 702, Tantalum



A0020836-EN

Flange connection according to ASME B16.5

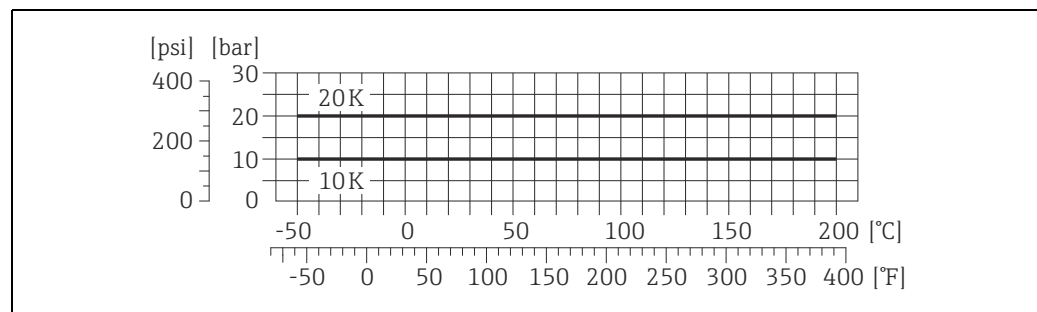
Flange material: 1.4301 (304); fluid wetted parts: Zirconium 702, Tantalum



A0020920-EN

Flange connection to JIS B2220

Flange material: 1.4301 (304); fluid wetted parts: Zirconium 702, Tantalum



A0020922-EN

Limiting flowSee information in the "Measuring range" section → [4](#)

Select nominal diameter by optimizing between required flow range and permissible pressure loss. See the "Measuring range" section for a list of maximum possible full scale values.

- The minimum recommended full scale value is approx. 1/20 of the max. full scale value.
- In most applications, 20 to 50% of the maximum full scale value can be considered ideal
- Select a lower full scale value for abrasive substances such as fluids with entrained solids (flow velocity <math>< 1 \text{ m/s}</math> (<math>< 3 \text{ ft/s}</math>)).

Pressure lossTo calculate the pressure loss, use the *Applicator* sizing tool (→ [35](#)).**System pressure**

It is important to ensure that cavitation does not occur, because it would influence the oscillation of the measuring tube. No special measures need to be taken for fluids which have properties similar to water under normal conditions.

In the case of liquids with a low boiling point (hydrocarbons, solvents, liquefied gases) or in suction lines, it is important to ensure that pressure does not drop below the vapor pressure and that the liquid does not start to boil. It is also important to ensure that the gases that occur naturally in many liquids do not outgas. Such effects can be prevented when system pressure is sufficiently high.

Therefore, the following locations should be preferred for installation:

- Downstream from pumps (no danger of vacuum)
- At the lowest point in a vertical pipe

Heating



Some fluids require suitable measures to avoid heat transfer at the sensor. Heating can be electric, e.g. with heated elements, or by means of hot water or steam pipes made of copper or heating jackets.

Caution!

- Risk of electronics overheating! Make sure that the maximum permissible ambient temperature for the transmitter is not exceeded. Consequently, make sure that the adapter between the sensor and transmitter and the connection housing of the remote version always remain free of insulating material. Note that a certain orientation might be required, depending on the fluid temperature → 17.
- If using an electric trace heating system whose heating is regulated via phase angle control or pulse packages, influence on the measured values cannot be ruled out due to magnetic fields (i.e. for values that are greater than the values approved by the EN standard (sine 30 A/m)). In such cases, the sensor must be magnetically shielded.
The secondary containment can be shielded with tin plates or electric sheets without preferential direction (e.g. V330-35A) with the following properties:
 - Relative magnetic permeability $\mu_r \geq 300$
 - Plate thickness $d \geq 0.35 \text{ mm (0.014")}$
- Information on permitted temperature ranges → 18

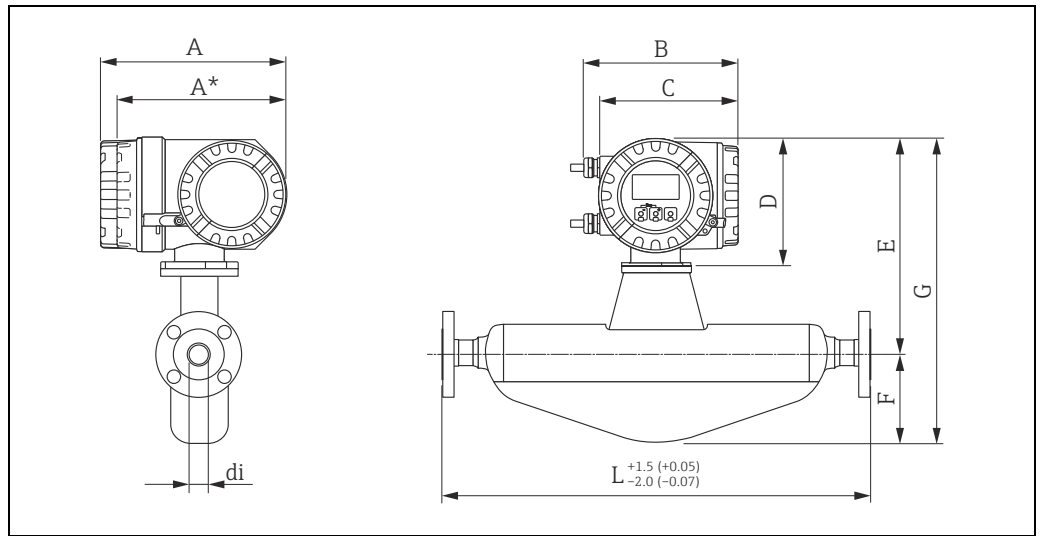
Special heating jackets, which can be ordered separately from Endress+Hauser as an accessory, are available for the sensors.

Mechanical construction

Design/dimensions

Dimensions:	
Field housing compact version, powder-coated die-cast aluminum	→ 23
Field housing compact version, powder-coated die-cast aluminum (II2G/zone 1)	→ 24
Transmitter compact version, stainless steel	→ 25
Transmitter connection housing remote version (II2G/zone 1)	→ 25
Transmitter remote version, wall-mount housing (non hazardous area and II3G/zone 2)	→ 26
Transmitter remote version, connection housing	→ 27
Process connections in SI units	
Flange connections EN (DIN)	→ 28
Flange connections ASME B16.5	→ 28
Flange connections JIS	→ 29
Process connections in US units	
Flange connections ASME B16.5	→ 30
Purge connections / secondary containment monitoring	→ 31

Field housing compact version, powder-coated die-cast aluminum



A0022144

Dimension unit in mm (in)

Dimensions in SI units

DN	A	A*	B	C	D	E	F	G	L	di
8	227	207	187	168	160	280	108	388	1) ¹⁾	1) ¹⁾
15	227	207	187	168	160	280	108	388	1) ¹⁾	1) ¹⁾
25	227	207	187	168	160	280	121	401	1) ¹⁾	1) ¹⁾
40	227	207	187	168	160	304	173	477	1) ¹⁾	1) ¹⁾
50	227	207	187	168	160	315	241	556	1) ¹⁾	1) ¹⁾

* Blind version (without local display)

¹⁾ dependent on respective process connection

All dimensions in [mm]

Dimensions in US units

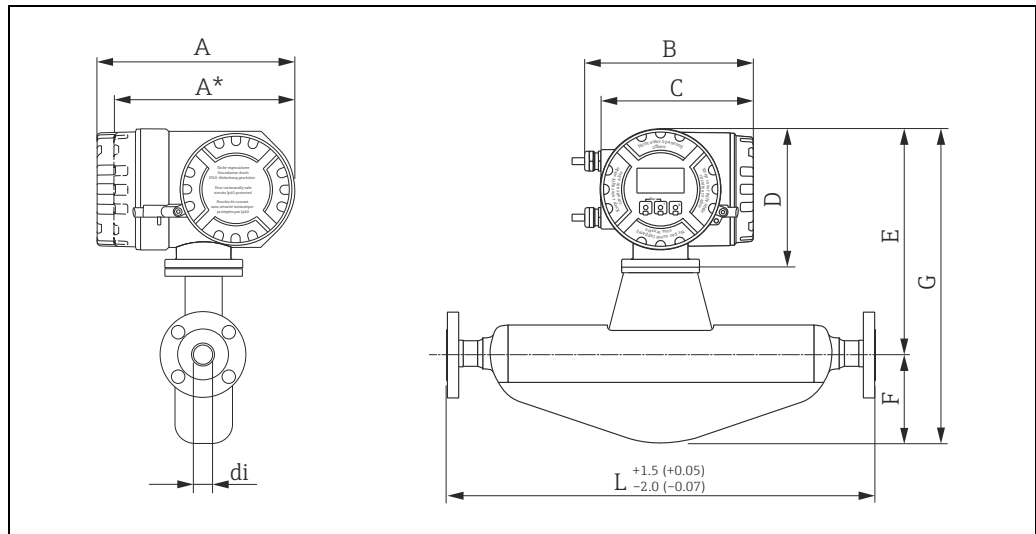
DN	A	A*	B	C	D	E	F	G	L	di
3/8"	8.94	8.15	7.36	6.61	6.30	11.02	4.25	15.27	1) ¹⁾	1) ¹⁾
1/2"	8.94	8.15	7.36	6.61	6.30	11.02	4.25	15.27	1) ¹⁾	1) ¹⁾
1"	8.94	8.15	7.36	6.61	6.30	11.02	4.76	15.78	1) ¹⁾	1) ¹⁾
1 1/2"	8.94	8.15	7.36	6.61	6.30	11.97	6.81	18.78	1) ¹⁾	1) ¹⁾
2"	8.94	8.15	7.36	6.61	6.30	12.40	9.49	21.89	1) ¹⁾	1) ¹⁾

* Blind version (without local display)

¹⁾ dependent on respective process connection

All dimensions in [in]

Field housing compact version, powder-coated die-cast aluminum (II2G/zone 1)



A0013832

Dimension unit in mm (in)

Dimensions in SI units

DN	A	A*	B	C	D	E	F	G	L	di
8	240	217	206	186	178	298	108	406	1) ¹⁾	1) ¹⁾
15	240	217	206	186	178	298	105	403	1) ¹⁾	1) ¹⁾
25	240	217	206	186	178	298	122	420	1) ¹⁾	1) ¹⁾
40	240	217	206	186	178	322	171	493	1) ¹⁾	1) ¹⁾
50	240	217	206	186	178	333	240	573	1) ¹⁾	1) ¹⁾

* Blind version (without local display)

¹⁾ dependent on respective process connection

All dimensions in [mm]

Dimensions in US units

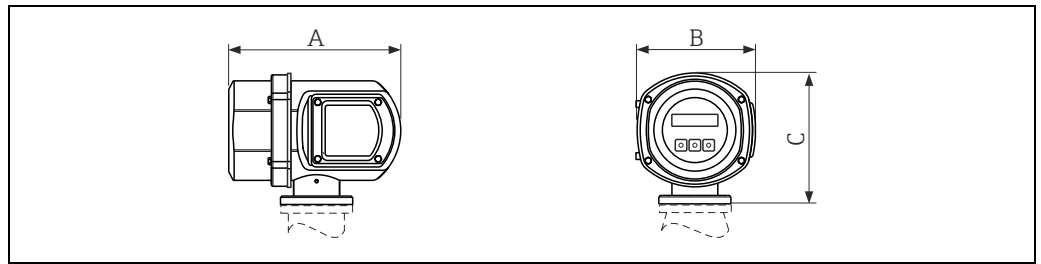
DN	A	A*	B	C	D	E	F	G	L	di
3/8"	9.45	8.54	8.11	7.32	7.01	11.73	4.25	15.98	1) ¹⁾	1) ¹⁾
1/2"	9.45	8.54	8.11	7.32	7.01	11.73	4.13	15.97	1) ¹⁾	1) ¹⁾
1"	9.45	8.54	8.11	7.32	7.01	11.73	4.80	16.54	1) ¹⁾	1) ¹⁾
1 1/2"	9.45	8.54	8.11	7.32	7.01	12.68	6.73	19.41	1) ¹⁾	1) ¹⁾
2"	9.45	8.54	8.11	7.32	7.01	13.11	9.45	22.56	1) ¹⁾	1) ¹⁾

* Blind version (without local display)

¹⁾ dependent on respective process connection

All dimensions in [in]

Transmitter compact version, stainless steel

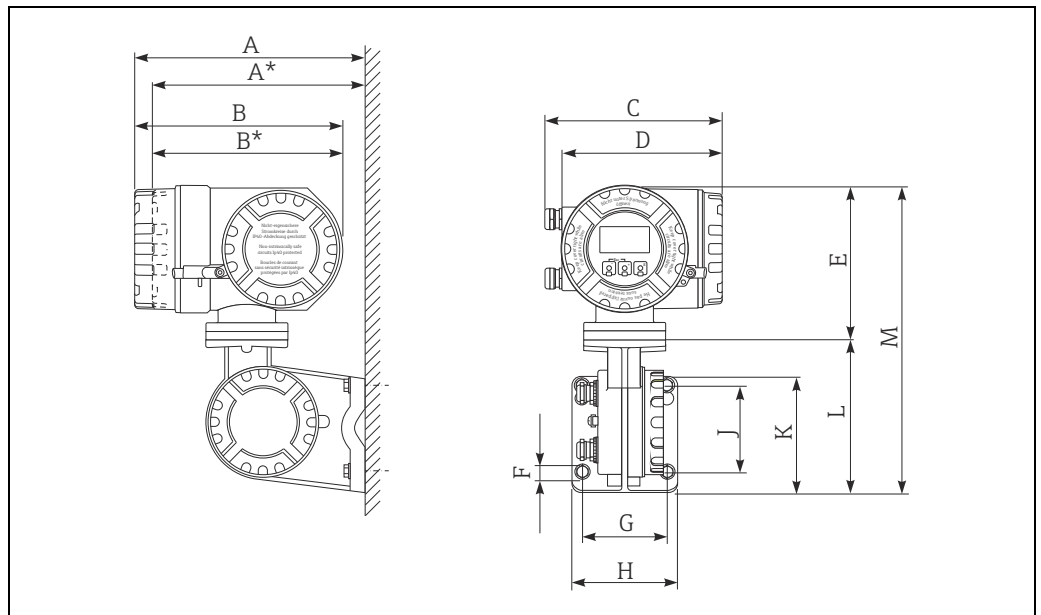


a0002245

Dimensions in SI and US units

A		B		C	
[mm]	[in]	[mm]	[in]	[mm]	[in]
225	8.86	153	6.02	168	6.61

Transmitter connection housing remote version (II2G/zone 1)



a0002128

Dimensions in SI units

A	A*	B	B*	C	D	E	F Ø	G	H	J	K	L	M
265	242	240	217	206	186	178	8.6 (M8)	100	130	100	144	170	348

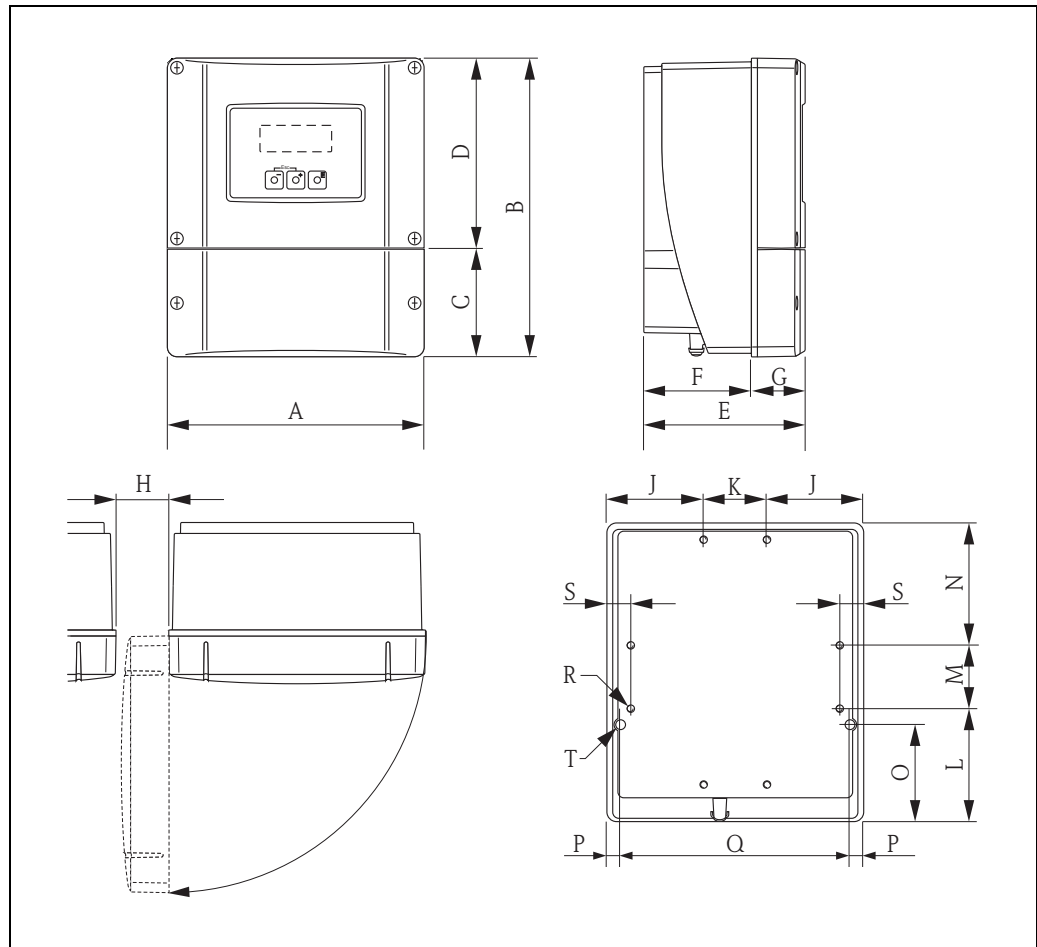
* Blind version (without local display)
All dimensions in [mm]

Dimensions in US units

A	A*	B	B*	C	D	E	F Ø	G	H	J	K	L	M
10.4	9.53	9.45	8.54	8.11	7.32	7.01	0,34 (M8)	3.94	5.12	3.94	5.67	6.69	13.7

* Blind version (without local display)
All dimensions in [in]

Transmitter remote version, wall-mount housing (non hazardous area and II3G/zone 2)



a0001150

Dimensions (SI units)

A	B	C	D	E	F	G	H	J	K
215	250	90.5	159.5	135	90	45	> 50	81	53
L	M	N	O	P	Q	R	S	T ¹⁾	
95	53	102	81.5	11.5	192	8 × M5	20	2 × Ø6.5	

¹⁾ Securing screw for wall mounting: M6 (screw head max. 10.5 mm)

All dimensions in [mm]

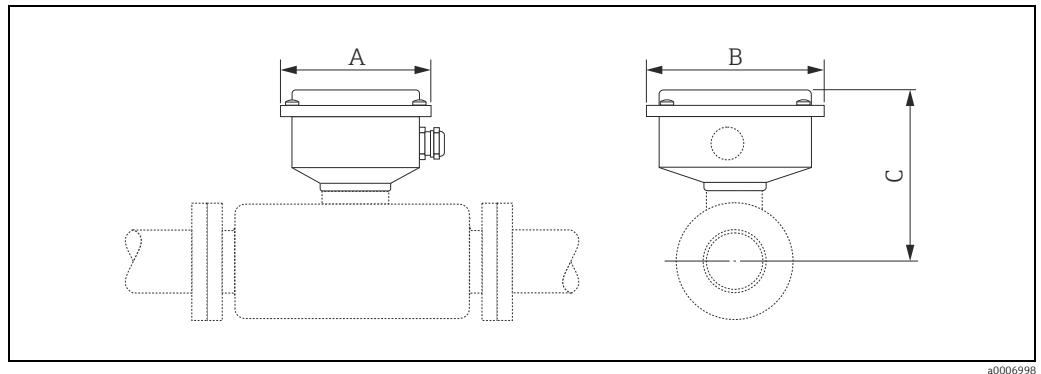
Dimensions (US units)

A	B	C	D	E	F	G	H	J	K
8.46	9.84	3.56	6.27	5.31	3.54	1.77	> 1.97	3.18	2.08
L	M	N	O	P	Q	R	S	T ¹⁾	
3.74	2.08	4.01	3.20	0.45	7.55	8 × M5	0.79	2 × Ø0.26	

¹⁾ Securing screw for wall mounting: M6 (screw head max. 0.41")

All dimensions in [in]

Transmitter remote version, connection housing



Dimensions in SI units

DN	A	B	C
8	118.5	137.5	127
15	118.5	137.5	127
25	118.5	137.5	127
40	118.5	137.5	151
50	118.5	137.5	162

All dimensions in [mm]

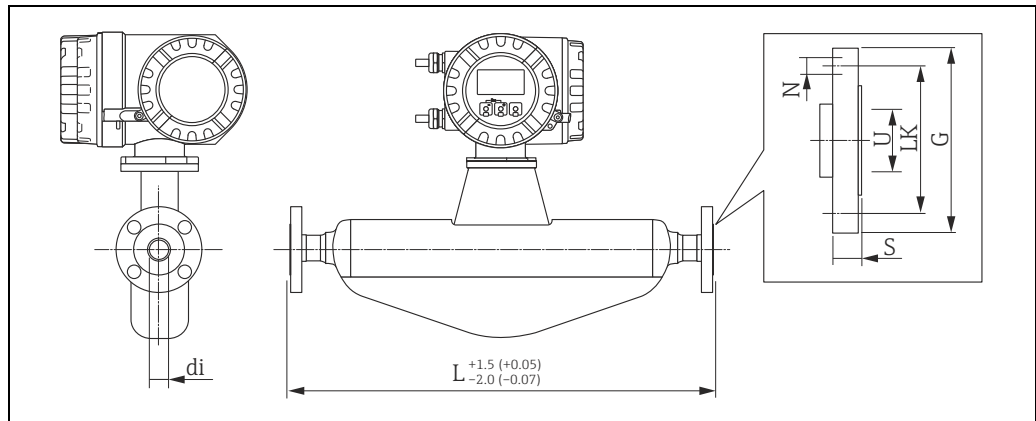
Dimensions in US units

DN	A	B	C
3/8"	4.67	5.41	5.00
1/2"	4.67	5.41	5.00
1"	4.67	5.41	5.00
1 1/2"	4.67	5.41	5.94
2"	4.67	5.41	6.38

All dimensions in [in]

Process connections in SI units

Flange connections EN (DIN), ASME B16.5, JIS



A0022146

Dimension unit in mm (in)

Flange connections EN (DIN)

Flange according to EN 1092-1 (DIN 2501 / DIN 2512N) / PN 40: 1.4301 (304); fluid wetted parts: Zirconium 702, Tantalum
Surface roughness (flange): EN 1092-1 Form B1 (DIN 2526 Form C), Ra 3.2 to 12.5 µm

DN	G	L	N	S	LK	U	di
8 ¹⁾	95	336	4 x Ø14	20	65	17.30	8.51
15	95	440	4 x Ø14	20	65	17.30	12.00
25	115	580	4 x Ø14	19	85	28.50	17.60
40	150	794	4 x Ø18	21.5	110	43.10	25.50
50	165	1071	4 x Ø18	23.5	125	54.50	40.50

¹⁾ DN 8 with DN 15 flange as standard
 All dimensions in [mm]

Flange connections ASME B16.5

Flange according to ASME B16.5 / Cl 150: 1.4301 (304); fluid wetted parts: Zirconium 702, Tantalum
Surface roughness (flange): Ra 3.2 to 6.3 µm

DN	G	L	N	S	LK	U	di
8 ¹⁾	88.9	336	4 x Ø15.7	12.8	60.5	15.70	8.51
15	88.9	440	4 x Ø15.7	12.8	60.5	15.70	12.00
25	108.0	580	4 x Ø15.7	15.1	79.2	26.70	17.60
40	127.0	794	4 x Ø15.7	17.5	98.6	40.90	25.50
50	152.4	1071	4 x Ø19.1	23.6	120.7	52.60	40.50

¹⁾ DN 8 with DN 15 flange as standard
 All dimensions in [mm]

Flange according to ASME B16.5 / CI 300: 1.4301 (304); fluid wetted parts: Zirconium 702, Tantalum							
Surface roughness (flange): Ra 3.2 to 6.3 µm							
DN	G	L	N	S	LK	U	di
8 ¹⁾	95.2	336	4 x Ø15.7	14.2	66.5	15.70	8.51
15	95.2	440	4 x Ø15.7	14.2	66.5	15.70	12.00
25	124.0	580	4 x Ø19.1	17.5	88.9	26.70	17.60
40	155.4	794	4 x Ø22.3	20.6	114.3	40.90	25.50
50	165.1	1071	4 x Ø19.1	23.6	127.0	52.60	40.50

¹⁾ DN 8 with DN 15 flange as standard
All dimensions in [mm]

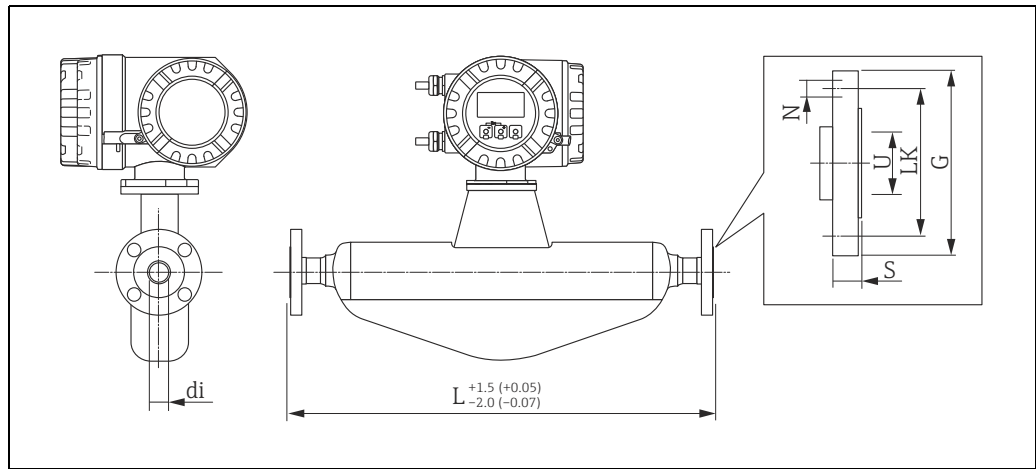
Flange connections JIS

Flange JIS B2220 / 20K: 1.4301 (304); fluid wetted parts: Zirconium 702, Tantalum							
Surface roughness (flange): Ra 3.2 to 6.3 µm							
DN	G	L	N	S	LK	U	di
8 ¹⁾	95	336	4 x Ø15	14	70	15.00	8.51
15	95	440	4 x Ø15	14	70	15.00	12.00
25	125	580	4 x Ø19	16	90	25.00	17.60
40	140	794	4 x Ø19	18	105	40.00	25.50
50	155	1071	8 x Ø19	22	120	50.00	40.50

¹⁾ DN 8 with DN 15 flange as standard
All dimensions in [mm]

Process connections in US units

Flange connections ASME B16.5



Dimension unit in mm (in)

A0022146

Flange connections ASME B16.5

Flange according to ASME B16.5 / Cl 150: 1.4301 (304); fluid wetted parts: Zirconium 702, Tantalum							
Surface roughness (flange): Ra 3.2 to 6.3 μm							
DN	G	L	N	S	LK	U	di
$\frac{3}{8}^{*1)}$	3.50	13.23	4 x $\varnothing 0.62$	0.50	2.38	0.62	0.34
$\frac{1}{2}$ "	3.50	17.32	4 x $\varnothing 0.62$	0.50	2.38	0.62	0.47
1"	4.25	22.83	4 x $\varnothing 0.62$	0.59	3.12	1.05	0.69
1 $\frac{1}{2}$ "	5.00	31.26	4 x $\varnothing 0.62$	0.69	3.88	1.61	1.00
2"	6.00	42.17	4 x $\varnothing 0.75$	0.93	4.75	2.07	1.59

¹⁾ DN $\frac{3}{8}$ " with DN $\frac{1}{2}$ " flange as standard
All dimensions in [in]

Flange according to ASME B16.5 / Cl 300: 1.4301 (304); fluid wetted parts: Zirconium 702, Tantalum							
Surface roughness (flange): Ra 3.2 to 6.3 μm							
DN	G	L	N	S	LK	U	di
$\frac{3}{8}^{*1)}$	3.75	13.23	4 x $\varnothing 0.62$	0.56	2.62	0.62	0.34
$\frac{1}{2}$ "	3.75	17.32	4 x $\varnothing 0.62$	0.56	2.62	0.62	0.47
1"	4.88	22.83	4 x $\varnothing 0.75$	0.69	3.50	1.05	0.69
1 $\frac{1}{2}$ "	6.12	31.26	4 x $\varnothing 0.88$	0.81	4.50	1.61	1.00
2"	6.50	42.17	4 x $\varnothing 0.75$	0.93	5.00	2.07	1.59

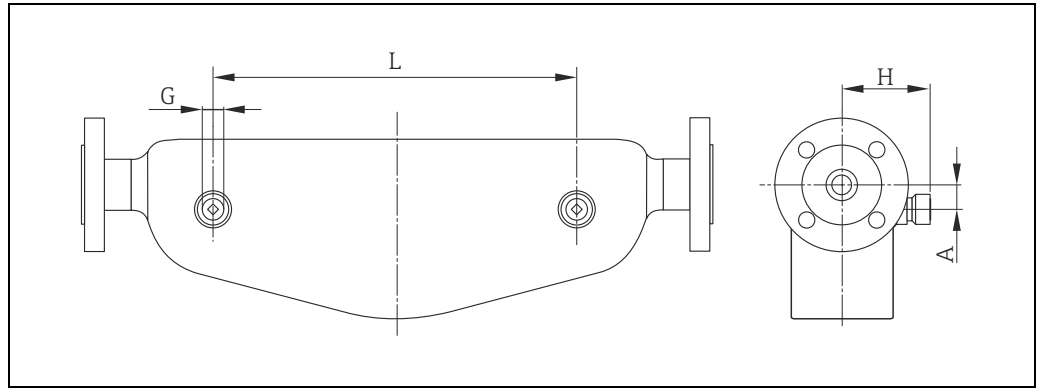
¹⁾ DN $\frac{3}{8}$ " with DN $\frac{1}{2}$ " flange as standard
All dimensions in [in]

Purge connections / secondary containment monitoring



Caution!

Purge connections or secondary containment monitoring can not be combined with separately available heating jacket.



a0003288

DN		G	A		H		L		
[mm]	[in]		[mm]	[in]	[mm]	[in]	[in]	[mm]	[in]
8	3/8	1/2"-NPT	25	0.98	82.0	3.23	3.57	110.0	4.33
15	1/2	1/2"-NPT	25	0.98	82.0	3.23	3.57	204.0	8.03
25	1	1/2"-NPT	25	0.98	82.0	3.23	3.57	344.0	13.54
40	1 1/2	1/2"-NPT	45	1.77	102.0	4.02	4.07	526.0	20.71
50	2	1/2"-NPT	58	2.28	119.5	4.70	4.64	763.0	30.04

Weight

- Compact version: see table below
- Remote version
 - Sensor: see table below
 - Wall-mount housing: 5 kg (11 lb)

Weight in SI units

DN [mm]	8	15	25	40	50
Compact version	12	13	19	36	69
Remote version	10	11	17	34	67

All values (weight) refer to devices with EN/DIN PN 40 flanges.
Weight information in [kg]

Weight in US units

DN [in]	3/8	1/2	1	1 1/2	2
Compact version	26	29	42	79	152
Remote version	22	24	37	75	148

All values (weight) refer to devices with EN/DIN PN 40 flanges.
Weight information in [lb]

Materials**Transmitter housing**

Compact version

- Powder coated die-cast aluminum
- Stainless steel housing: stainless steel 1.4301/ASTM 304
- Window material: glass or polycarbonate

Remote version

- Remote field housing: powder-coated die-cast aluminum
- Wall-mount housing: powder coated die-cast aluminum
- Window material: glass

Sensor housing / containment

- Acid and alkali-resistant outer surface
- Stainless steel 1.4301 (304)

Connection housing, sensor (remote version)

Stainless steel 1.4301 (304)

Process connections

Stainless steel 1.4301 (304); fluid wetted parts: Zirconium 702, Tantalum

Measuring tubes:

- Zirconium 702 (UNS R60702)
- Tantalum 2.5W

Seals

Welded process connections without internal seals

Process connections**Welded process connections**

Flanges according to:

- EN 1092-1 (DIN 2501)
- ASME B16.5
- JIS B2220

Operability**Local operation****Display elements**

- Liquid-crystal display: backlit, two lines (Promass 80) or four lines (Promass 83) with 16 characters per line
- Selectable display of different measured values and status variables
- At ambient temperatures below -20 °C (-4 °F) the readability of the display may be impaired.

Operating elements*Promass 80*

- Local operation with three keys (□ ⊕ ⊞)
- Quick Setup menus for straightforward commissioning


Promass 83

- Local operation with three optical keys (□ ⊕ ⊞)
- Application-specific Quick Setup menus for straightforward commissioning

Language groups	<p>Language groups available for operation in different countries:</p> <ul style="list-style-type: none"> ■ Western Europe and America (WEA): English, German, Spanish, Italian, French, Dutch and Portuguese ■ Eastern Europe/Scandinavia (EES): English, Russian, Polish, Norwegian, Finnish, Swedish and Czech ■ South and Eastern Asia (SEA): English, Japanese, Indonesian <p>Only Promass 83</p> <ul style="list-style-type: none"> ■ China (CN): English, Chinese <p>The language group is changed using the "FieldCare" operating program.</p>
------------------------	---

Remote operation	<p>Promass 80</p> <p>Remote operation via HART, PROFIBUS PA</p> <p>Promass 83</p> <p>Remote operation via HART, PROFIBUS DP/PA, FOUNDATION fieldbus, Modbus RS485, EtherNet/IP</p>
-------------------------	--

Certificates and approvals

CE mark	The measuring system is in conformity with the statutory requirements of the EC Directives. Endress+Hauser confirms successful testing of the device by affixing to it the CE mark.
C-Tick symbol	The measuring system complies with the EMC requirements of the "Australian Communications and Media Authority (ACMA)"
Ex approval	Information about currently available Ex versions (ATEX, FM, CSA, IECEx, NEPSI etc.) can be supplied by your Endress+Hauser Sales Center on request. All information relevant to explosion protection is available in separate Ex documents that you can order as necessary.
Functional safety	<p>SIL -2: accordance IEC 61508/IEC 61511-1 (FDIS)</p> <p>"4 to 20 mA" output according to the following order code: A, B, C, D, E, L, M, R, S, T, U, W, 0, 2, 3, 4, 5, 6, 8 See also "Measuring range" →  4</p>
FOUNDATION Fieldbus certification	<p>The flow device has successfully passed all the test procedures carried out and is certified and registered by the Fieldbus Foundations. The device thus meets all the requirements of the following specifications:</p> <ul style="list-style-type: none"> ■ Certified to FOUNDATION Fieldbus Specification ■ The device meets all the specifications of the FOUNDATION Fieldbus H1. ■ Interoperability Test Kit (ITK), revision status 5.01 (device certification number: on request) ■ The device can also be operated with certified devices of other manufacturers ■ Physical Layer Conformance Test of the Fieldbus Foundation
PROFIBUS DP/PA certification	<p>The flow device has successfully passed all the test procedures carried out and is certified and registered by the PNO (PROFIBUS User Organization). The device thus meets all the requirements of the following specifications:</p> <ul style="list-style-type: none"> ■ Certified in accordance with PROFIBUS Profile Version 3.0 (device certification number: available on request) ■ The device can also be operated with certified devices of other manufacturers (interoperability)
Modbus certification	The measuring device meets all the requirements of the Modbus/TCP conformity test and has the "Modbus/TCP Conformance Test Policy, Version 2.0". The measuring device has successfully passed all the test procedures carried out and is certified by the "Modbus/TCP Conformance Test Laboratory" of the University of Michigan.

Pressure Equipment Directive	<p>The measuring devices can be ordered with or without PED (Pressure Equipment Directive). If a device with PED is required, this must be ordered explicitly. For devices with nominal diameters less than or equal to DN 25 (1"), this is neither possible nor necessary.</p> <ul style="list-style-type: none"> ■ With the identification PED/G1/III on the sensor nameplate, Endress+Hauser confirms conformity with the "Basic safety requirements" of Appendix I of the Pressure Equipment Directive 97/23/EC. ■ Devices with this identification (with PED) are suitable for the following types of fluid: <ul style="list-style-type: none"> – Fluids of Group 1 and 2 with a steam pressure greater than, or smaller and equal to 0.5 bar (7.3 psi) – Unstable gases ■ Devices without this identification (without PED) are designed and manufactured according to good engineering practice. They correspond to the requirements of Art. 3, Section 3 of the Pressure Equipment Directive 97/23/EC. Their application is illustrated in Diagrams 6 to 9 in Appendix II of the Pressure Equipment Directive 97/23/EC.
-------------------------------------	---

Other standards and guidelines

- EN 60529
Degrees of protection by housing (IP code)
- IEC/EN 60068-2-6
Environmental influences: Test procedure - Test Fc: vibrate (sinusoidal)
- IEC/EN 60068-2-31
Environmental influences: Test procedure - Test Ec: shocks due to rough handling, primarily for devices
- EN 61010-1
Protection Measures for Electrical Equipment for Measurement, Control, Regulation and Laboratory Procedures
- EN 61508
Functional safety of electrical/electronic/programmable electronic safety-related systems
- IEC/EN 61326
"Emission in accordance with Class A requirements". Electromagnetic compatibility (EMC requirements)
- NAMUR NE 21
Electromagnetic compatibility (EMC) of industrial process and laboratory control equipment
- NAMUR NE 43
Standardization of the signal level for the breakdown information of digital transmitters with analog output signal
- NAMUR NE 53
Software of field devices and signal-processing devices with digital electronics

Ordering Information

Detailed ordering information is available from the following sources:

- In the Product Configurator on the Endress+Hauser website: www.endress.com → Select country → Instruments → Select device → Product page function: Configure this product
- From your Endress+Hauser Sales Center: www.endress.com/worldwide



Note!

Product Configurator - the tool for individual product configuration

- Up-to-the-minute configuration data
- Depending on the device: Direct input of measuring point-specific information such as measuring range or operating language
- Automatic verification of exclusion criteria
- Automatic creation of the order code and its breakdown in PDF or Excel output format
- Ability to order directly in the Endress+Hauser Online Shop

Accessories

Various accessories, which can be ordered with the device or subsequently from Endress+Hauser, are available for the device. Detailed information on the order code in question is available from your local Endress+Hauser sales center or on the product page of the Endress+Hauser website:

www.endress.com.

Device-specific accessories

For the Transmitter

Accessories	Description
Transmitter	Transmitter for replacement or for stock. Use the order code to define the following specifications: <ul style="list-style-type: none"> - Approvals - Degree of protection / version - Cable entries, - Display / power supply / operation - Software - Outputs / inputs
Inputs/outputs for Proline Promass 83 HART	Conversion kit with appropriate plug-in point modules for converting the input/output configuration in place to date to a new version.
Software packages for Proline Promass 83	Software add-ons on F-Chip, can be ordered individually: <ul style="list-style-type: none"> - Advanced diagnostics - Batching functions - Concentration measurement
Mounting set for transmitter	Mounting set for wall-mount housing (remote version). Suitable for: <ul style="list-style-type: none"> - Wall mounting - Pipe mounting - Installation in control panel Mounting set for aluminum field housing: Suitable for pipe mounting (3/4" to 3")

Communication-specific accessories

Accessories	Description
HART Communicator Field Xpert handheld terminal	Handheld terminal for remote parameterization and for obtaining measured values via the current output HART (4 to 20 mA). Contact your Endress +Hauser representative for more information.
Commubox FXA195 HART	The Commubox FXA195 connects intrinsically safe smart transmitters with the HART protocol with the USB port of a personal computer. This enables remote operation of the transmitter with operating software (e.g. FieldCare). Power is supplied to the Commubox via the USB port.

Service-specific accessories

Accessories	Description
Applicator	Software for selecting and sizing Endress+Hauser measuring devices: <ul style="list-style-type: none"> ■ Calculation of all the necessary data for identifying the optimum flowmeter: e.g. nominal diameter, pressure loss, accuracy or process connections ■ Graphic illustration of the calculation results Administration, documentation and access to all project-related data and parameters over the entire life cycle of a project. Applicator is available: <ul style="list-style-type: none"> ■ Via the Internet: https://wapps.endress.com/applicator ■ On CD-ROM for local PC installation

Accessories	Description
W@M	<p>Life cycle management for your plant. W@M supports you with a wide range of software applications over the entire process: from planning and procurement, to the installation, commissioning and operation of the measuring devices. All the relevant device information, such as the device status, spare parts and device-specific documentation, is available for every device over the entire life cycle. The application already contains the data of your Endress+Hauser device. Endress+Hauser also takes care of maintaining and updating the data records.</p> <p>W@M is available:</p> <ul style="list-style-type: none"> ■ Via the Internet: www.endress.com/lifecyclemanagement ■ On CD-ROM for local PC installation
Fieldcheck	Tester/simulator for testing flowmeters in the field. When used in conjunction with the "FieldCare" software package, test results can be imported into a database, printed and used for official certification. Contact your Endress+Hauser representative for more information.
FieldCare	FieldCare is Endress+Hauser's FDT-based plant asset management tool and allows the configuration and diagnosis of intelligent field devices. By using status information, you also have a simple but effective tool for monitoring devices. The Proline flowmeters are accessed via a service interface or via the service interface FXA193.
FXA193	Service interface from the measuring device to the PC for operation via FieldCare.

System components

Accessories	Description
Memograph M graphic display recorder	The Memograph M graphic display recorder provides information on all the relevant process variables. Measured values are recorded correctly, limit values are monitored and measuring points analyzed. The data are stored in the 256 MB internal memory and also on a DSD card or USB stick. Memograph M boasts a modular design, intuitive operation and a comprehensive security concept. The ReadWin® 2000 PC software is part of the standard package and is used for configuring, visualizing and archiving the data captured. The mathematics channels which are optionally available enable continuous monitoring of specific power consumption, boiler efficiency and other parameters which are important for efficient energy management.

Documentation

- Flow measuring technology (FA005D)
- Operating Instructions/Description of Device Functions
 - Promass 80 HART (BA00057D/BA00058D)
 - Promass 80 PROFIBUS PA (BA00072D/BA00073D)
 - Promass 83 HART (BA00059D/BA00060D)
 - Promass 83 FOUNDATION Fieldbus (BA00065D/BA00066D)
 - Promass 83 PROFIBUS DP/PA (BA00063D/BA00064D)
 - Promass 83 Modbus (BA00107D/BA00108D)
- Supplementary documentation: Data transmission via EtherNet/IP (SD00138D)
- Supplementary documentation on Ex-ratings: ATEX, FM, CSA, IECEx NEPSI
- Functional safety manual Promass 80, 83 (SD00077D)

Registered trademarks

HART®

Registered trademark of HART Communication Foundation, Austin, TX, USA

PROFIBUS®

Registered trademark of the PROFIBUS User Organization, Karlsruhe, Germany

FOUNDATION™ Fieldbus

Registered trademark of the Fieldbus FOUNDATION, Austin, USA

Modbus®

Registered trademark of the SCHNEIDER AUTOMATION, INC.

Applicator®, FieldCare®, Fieldcheck®, HistoROM™, F-CHIP®, S-DAT®, T-DAT™

Registered or registration-pending trademarks of the Endress+Hauser Group

www.addresses.endress.com
