

Operating Instructions

Proline t-mass 65

Thermal mass flowmeter

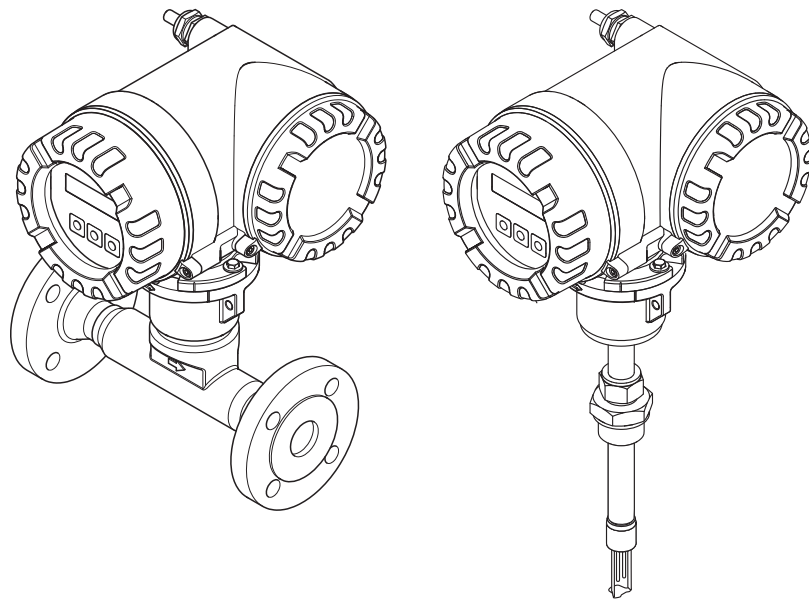





Table of contents

1	Document information	3	9	Accessories	69
1.1	Document conventions	3	9.1	Device-specific accessories	69
2	Safety instructions	5	9.2	Communication-specific accessories	69
2.1	Designated use	5	9.3	Service-specific accessories	70
2.2	Installation, commissioning and operation	5	10	Trouble-shooting	71
2.3	Operational safety	6	10.1	Trouble-shooting instructions	71
2.4	Return	6	10.2	System error messages	72
2.5	Product safety	6	10.3	Process error messages	76
3	Identification	7	10.4	Process errors without messages	76
3.1	Device designation	7	10.5	Response of outputs to errors	78
3.2	Certificates and approvals	10	10.6	Spare parts	79
3.3	Registered trademarks	10	10.7	Return	86
4	Installation	11	10.8	Disposal	86
4.1	Incoming acceptance, transport and storage ...	11	10.9	Software history	87
4.2	Installation conditions	12	11	Technical data	88
4.3	Installation	19	11.1	Applications	88
4.4	Post-installation check	27	11.2	Function and system design	88
5	Electrical connection	28	11.3	Input	88
5.1	Connecting the remote version	28	11.4	Output	89
5.2	Connecting the measuring unit	30	11.5	Power supply	90
5.3	Degree of protection	33	11.6	Performance characteristics	90
5.4	Post-connection check	34	11.7	Installation	92
6	Operation	35	11.8	Environment	92
6.1	Display and operating elements	35	11.9	Process	93
6.2	Brief operating instructions for the function matrix 36		11.10	Mechanical construction	95
6.3	Error messages	38	11.11	Operability	97
6.4	Communication	39	11.12	Certificates and approvals	97
7	Commissioning	50	11.13	Ordering information	99
7.1	Function check	50	11.14	Accessories	99
7.2	Switching on the measuring device	50	11.15	Documentation	99
7.3	Quick Setup	50		Index	100
7.4	Configuration	61			
7.5	Adjustment	65			
7.6	Data storage device (HistoROM)	66			
8	Maintenance	67			
8.1	External cleaning	67			
8.2	Pipe cleaning	67			
8.3	Sensor cleaning	67			
8.4	Replacing seals	68			
8.5	In-situ calibration	68			
8.6	Recalibration	68			






1 Document information

1.1 Document conventions









1.1.1 Safety symbols

Symbol	Device particularities and document content
 Caution!	"Caution" indicates an action or procedure which, if not performed correctly, can result in incorrect operation or destruction of the device. Comply strictly with the instructions.
 Warning!	"Warning" indicates an action or procedure which, if not performed correctly, can result in injury or a safety hazard. Comply strictly with the instructions and proceed with care.
 Note!	"Note" indicates an action or procedure which, if not performed correctly, can have an indirect effect on operation or trigger an unexpected response on the part of the device.




1.1.2 Electrical symbols

Symbol	Meaning
 A0011197	Direct current A terminal at which DC voltage is present or through which direct current flows.
 A0011198	Alternating current A terminal at which alternating voltage (sinusoidal) is present or through which alternating current flows.
 A0011200	Ground connection A grounded terminal which, as far as the operator is concerned, is grounded via a grounding system.
 A0011199	Protective ground connection A terminal which must be connected to ground prior to establishing any other connections.
 A0011201	Equipotential connection A connection that must be connected to the plant grounding system: This may be a potential equalization line or a star grounding system depending on national or company codes of practice.

1.1.3 Symbols for types of information

Symbol	Meaning
 A0011182	Permitted Indicates procedures, processes or actions that are permitted.
 A0011183	Preferred Indicates procedures, processes or actions that are preferred.
 A0011200	Forbidden Indicates procedures, processes or actions that are forbidden.
 A0011193	Tip Indicates additional information.
 A0011194	Reference to documentation Refers to the corresponding device documentation.
 A0011195	Reference to page Refers to the corresponding page number.
1., 2., 3. etc.	Series of steps
	Result of a sequence of actions
 A0013562	Help in the event of a problem

1.1.4 Symbols for graphics

Symbol	Meaning
1, 2, 3 etc.	Item numbers
A, B, C etc.	Views
A-A, B-B, C-C etc.	Item numbers
 A0013441	Flow direction
 A0011187	Hazardous area Indicates the hazardous area.
 A0011187	Safe area (non-hazardous area) Indicates the non-hazardous area.

2 Safety instructions

2.1 Designated use

The measuring device described in these Operating Instructions is to be used only for measuring the mass flow rate of gases (e. g. kg, Nm³ Sft³). At the same time, it also measures gas temperature. The measuring device can be configured to measure a standard range of pure gases or gas mixtures.

Examples:

- Air
- Oxygen
- Nitrogen
- Carbon Dioxide
- Argon, etc.

The use with corrosive, saturated or unclean gases should be treated with caution. In such cases, please contact your Endress+Hauser sales center for clarification. The use with unstable gases or gases not deemed to be suitable by Endress+Hauser must be avoided. The measuring device is not designed to be used with liquids or fluids in the liquid phase.

Resulting from incorrect use or from use other than that designated, the operational safety of the measuring devices can be jeopardized. The manufacturer accepts no liability for damages being produced from this.

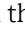
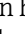
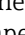
2.2 Installation, commissioning and operation

Note the following points:


- Installation, connection to the electricity supply, commissioning, operation and maintenance of the measuring device must be carried out by trained, qualified specialists authorized to perform such work by the facility's owner operator. The specialist must have read and understood these Operating Instructions and must follow the instructions they contain.
- Endress+Hauser is willing to assist in clarifying the chemical resistance properties of parts wetted by special fluids, including fluids used for cleaning. However small changes in temperature, concentration or the degree of contamination in the process can result in changes of the chemical resistance properties. Therefore, Endress+Hauser can not guarantee or accept liability for the chemical resistance properties of the fluid wetted materials in a specific application. The operator is responsible for the choice of fluid wetted materials in regards to their in-process resistance to corrosion.
- If carrying out welding work on the piping, the welding unit should not be grounded by means of the measuring device.
- The installer must ensure that the measuring device is correctly wired in accordance with the wiring diagrams. The transmitter must be grounded unless special protection measures have been taken e.g. galvanically isolated power supply SELV or PELV! (SELV = Safe Extra Low Voltage; PELV = Protective Extra Low Voltage)
- Invariably, local regulations governing the opening and repair of electrical devices apply.

2.3 Operational safety

Note the following points:

- Measuring devices for use in hazardous environments are accompanied by separate "Ex documentation", which is an integral part of these Operating Instructions. Strict compliance with the installation instructions and ratings as stated in this supplementary documentation is mandatory.
The symbol on the front of this supplementary Ex documentation indicates the approval and the certification body (e.g.  Europe,  USA,  Canada).
- Burn hazard! When hot fluid passes through the measuring tube, the surface temperature of the housing increases. In the case of the sensor, in particular, users should expect temperatures that can be close to the fluid temperature. If the temperature of the fluid is high, implement sufficient measures to prevent burning or scalding.
- The measuring device complies with the general safety requirements in accordance with EN 61010-1, the EMC requirements of IEC/EN 61326, and NAMUR recommendation NE 21, NE 43 and NE 53.
- The separate document on the Pressure Equipment Directive must be observed for measuring devices used in Category II or III installations in accordance with the Pressure Equipment Directive.
- The manufacturer reserves the right to modify technical data without prior notice. Your Endress+Hauser sales center will supply you with current information and updates to these Operating Instructions.

2.4 Return

- Do not return a measuring device if it is not absolutely certain that it has been fully cleaned of all traces of hazardous substances, e.g. substances which have penetrated crevices or diffused through plastic.
- Costs incurred for waste disposal and injury (burns, etc.) due to inadequate cleaning of the measuring device will be charged to the owner-operator.
- Refer to the measures on →  86.

2.5 Product safety

This measuring device is designed in accordance with good engineering practice to meet state-of-the-art safety requirements, has been tested, and left the factory in a condition in which it is safe to operate. It complies with the applicable standards and regulations in accordance with EN 61010-1 "Safety requirements for electrical equipment for measurement, control and laboratory use". It can, however, be a source of danger if used incorrectly or for other than the designated use.

3 Identification

3.1 Device designation

The "t-mass 65" measuring device consists of the following components:

- t-mass 65 transmitter
- t-mass F, t-mass I sensors

Two versions are available:

- Compact version: transmitter and sensor form a single mechanical unit.
- Remote version: transmitter and sensor are installed separately.

3.1.1 Nameplate of the transmitter

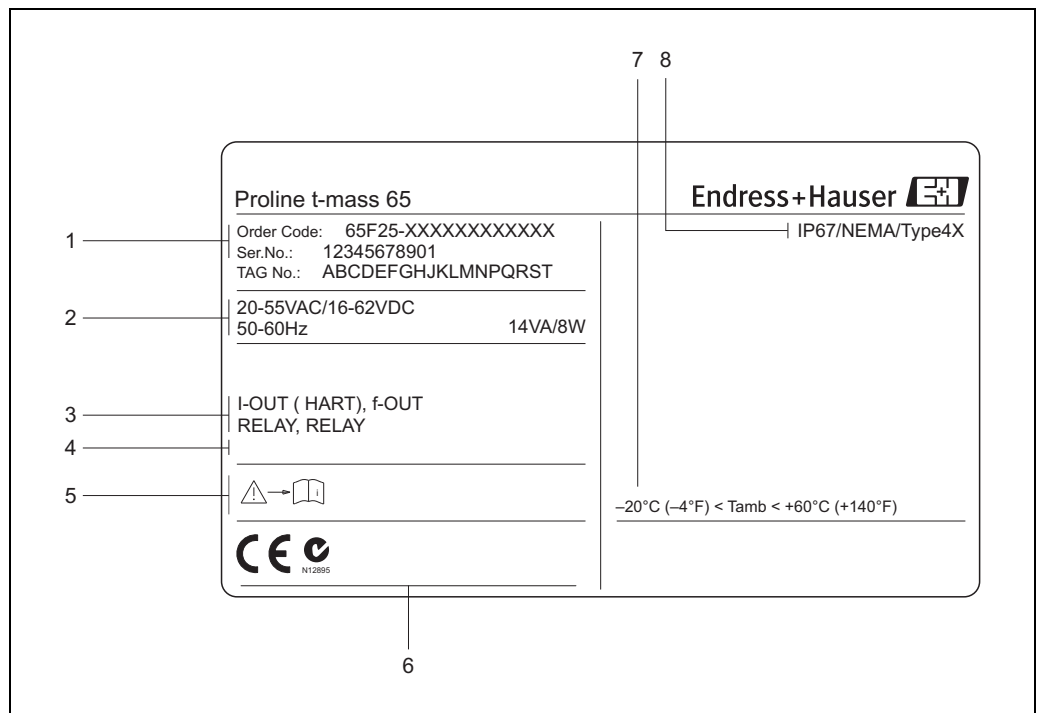
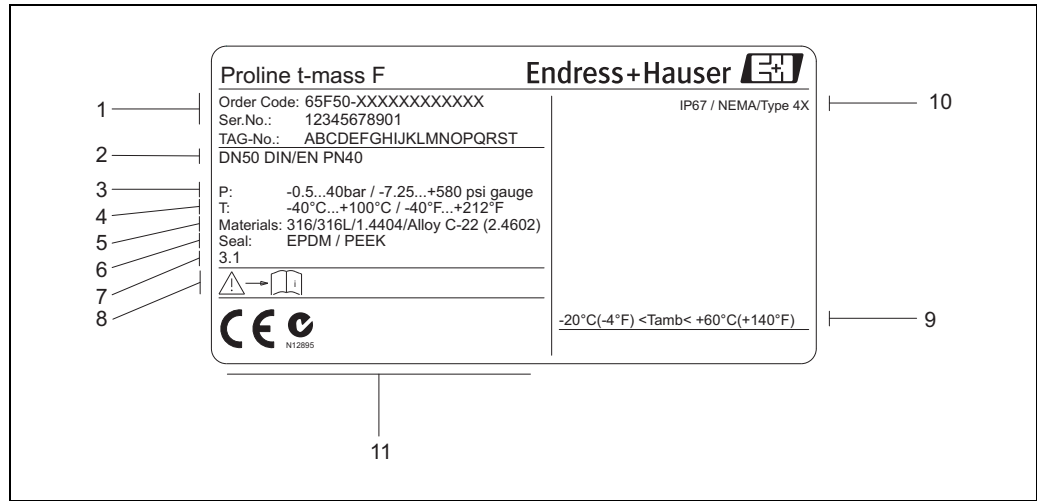


Fig. 1: Nameplate specifications for the "t-mass 65" transmitter (example)

- 1 Order code, serial number: See the specifications on the order confirmation for the meanings of the individual letters and digits.
- 2 Power supply, frequency, power consumption
- 3 Available inputs/outputs:
- 4 Reserved for information on special products
- 5 Please refer to operating instructions / documentation
- 6 Reserved for certificates, approvals and for additional information on device version
- 7 Ambient temperature range
- 8 Degree of protection

3.1.2 Nameplate of the sensor



A0005512

Fig. 2: Nameplate specifications for the "t-mass F" sensor (example)

- 1 Order code, serial number: See the specifications on the order confirmation for the meanings of the individual letters and digits.
- 2 Nominal diameter device
- 3 Pressure range
- 4 Temperature range
- 5 Material of measuring tubes
- 6 Seal material
- 7 Reserved for information on special products
- 8 Please refer to operating instructions / documentation
- 9 Ambient temperature range
- 10 Degree of protection
- 11 Reserved for additional information on device version (approvals, certificates)

3.1.3 Nameplate for connections

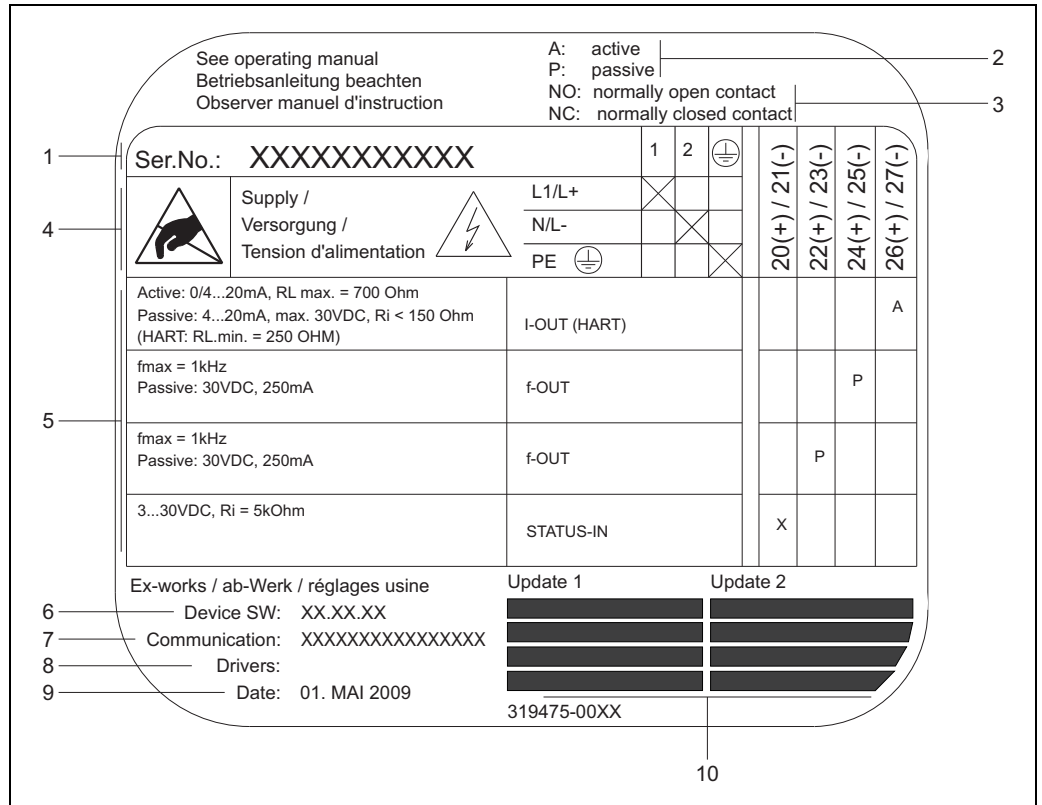


Fig. 3: Nameplate specifications for transmitter connections (example)

- 1 Serial number
- 2 Possible configuration of current output
- 3 Possible configuration of relay contacts
- 4 Terminal assignment, cable for power supply: 85 to 260 V AC, 20 to 55 V AC, 16 to 62 V DC
Terminal No. 1: L1 for AC, L+ for DC
Terminal No. 2: N for AC, L- for DC
- 5 Signals present at inputs and outputs, possible configuration and terminal assignment (20 to 27), see also "Electrical values of inputs/outputs", → 88
- 6 Version of device software currently installed
- 7 Installed communication type, e.g.: HART, PROFIBUS DP, etc.
- 8 Information on current communication software (Device Revision and Device Description), e.g.: Dev. 01 / DD 01 for HART
- 9 Date of manufacture
- 10 Current updates to data specified in points 6 to 9

3.2 Certificates and approvals

This measuring device is designed in accordance with good engineering practice to meet state-of-the-art safety requirements, has been tested, and left the factory in a condition in which it is safe to operate. The measuring device complies with the applicable standards and regulations in accordance with EN 61010-1 "Safety requirements for electrical equipment for measurement, control and laboratory use" and with the EMC requirements of IEC/EN 61326.

The measuring device described in these Operating Instructions thus complies with the statutory requirements of the EC Directives. Endress+Hauser confirms successful testing of the measuring device by affixing to it the CE mark.

The measuring device meets the EMC requirements of the Australian Communications and Media Authority (ACMA).

3.3 Registered trademarks

KALREZ[®] and VITON[®]

Registered trademarks of DuPont Performance Elastomers L.L.C., Wilmington, USA

AMS[™]

Registered trademark of Emerson Process Management, St. Louis, USA

HART[®]

Registered trademark of HART Communication Foundation, Austin, USA

HistoROM[™], S-DAT[®], T-DAT[™], F-CHIP[®], FieldCare[®], Field Xpert[™], FieldCheck[®], Applicator[®], t-mass[®]

Registered or registration-pending trademarks of businesses in the Endress+Hauser Group

4 Installation

4.1 Incoming acceptance, transport and storage


4.1.1 Incoming acceptance

On receipt of the goods, check the following points:

- Is the packaging or content undamaged?
- Is the delivery complete and do the delivered goods match your order?

4.1.2 Transport

Observe the following instructions when unpacking and transporting the device to its final location:

- Transport the measuring device in the container in which it is delivered.
- The covers or caps fitted to the process connections prevent mechanical damage to the sealing surfaces and contamination in the measuring tube when the unit is being transported or in storage. Do not remove these covers or caps until immediately before installation.
- Do not lift measuring devices of nominal diameters $> \text{DN } 40$ ($1\frac{1}{2}$ ") by the transmitter housing or the connection housing in the case of the remote version →  4. For transportation purposes, use webbing slings slung round the two process connections. Do not use chains, as they could damage the housing.



Warning!

Risk of injury if the measuring device slips. The center of gravity of the assembled measuring device might be higher than the points around which the slings are slung. When transporting, make sure that the measuring device does not unexpectedly turn around its axis or slip.

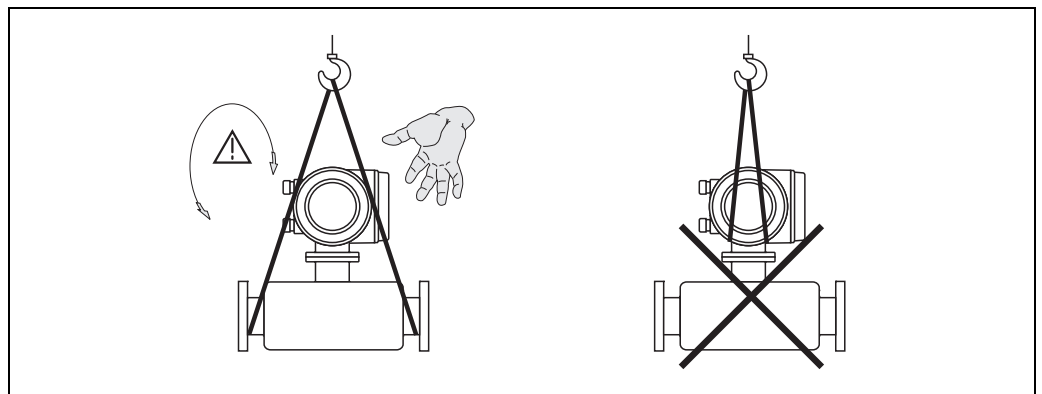


Fig. 4: Instructions for transporting sensors with $> \text{DN } 40$ ($> 1\frac{1}{2}$ ")



4.1.3 Storage

Note the following points:


- Pack the measuring device in such a way as to protect it reliably against impact for storage (and transportation). The original packaging provides optimum protection.
- The permissible storage temperature is: -40 to $+80$ °C (-40 to $+176$ °F), preferably $+20$ °C ($+68$ °F).
- Do not remove the protective covers or caps on the process connections until you are ready to install the device.
- The measuring device must be protected against direct sunlight during storage in order to avoid unacceptably high surface temperatures.
- Devices delivered with special sealing or bagging for oxygen service must remain sealed or bagged until ready for installation.

4.2 Installation conditions

Note the following points:

- The thermal dispersion principle is very sensitive to disturbed flow conditions.
- Observe the recommended inlet and outlet requirements.
- Good engineering practice is necessary for the associated pipe work and installation.
- Ensure correct alignment and orientation of the sensor.
- Take measures to reduce or avoid condensation (e.g. install a condensation trap, thermal insulation, etc.).
- The maximum permitted ambient temperatures →  92 and the medium temperature range →  93 must be observed.
- Install the transmitter in a shaded location or use a protective sun shield.
- For mechanical reasons, and in order to protect the pipe, it is advisable to support heavy sensors.

4.2.1 Dimensions

The dimensions and installation lengths of the sensor and transmitter can be found in the "Technical Information" for the device in question. This document can be downloaded as a PDF file from www.endress.com. A list of the "Technical Information" documents available can be found in the "Documentation" section on →  99.

4.2.2 System pressure and pulsating flow

Reciprocating pumps and some compressor systems can create strong changes in process pressure that can induce spurious internal flow patterns and therefore cause additional measurement error. These pressure pulses must be reduced by the appropriate measures:

- Use of expansion tanks
- Use of inlet expanders
- Relocate the flowmeter further downstream

In compressed air systems, it is recommended to mount the flowmeter after the filter, dryer and buffer devices to avoid pulsations and oil/dirt contamination.

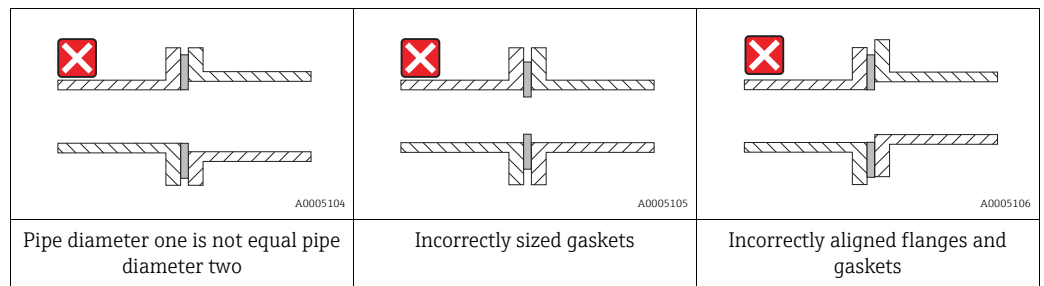
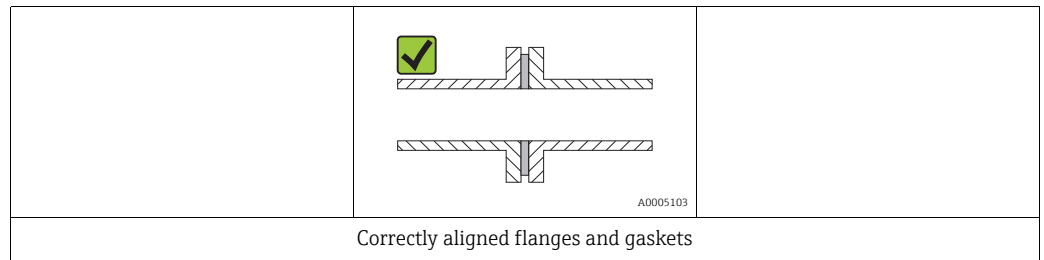
Do not mount the flowmeter directly after the compressor outlet.

4.2.3 Pipework requirements

Good engineering practice should be followed at all times:

- Correct preparation, welding and finishing techniques
- Correctly sized gaskets
- Correctly aligned flanges and gaskets
- Connecting pipe work should match the internal diameter of the flowmeter. Maximum pipe diameter mismatch should not exceed:
 - 1 mm (0.04 in) for diameters < DN 200 (8")
 - 3 mm (0.12 in) for diameters ≥ DN 200 (8")

Further information is provided in ISO Standard 14511.

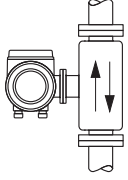
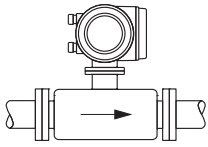
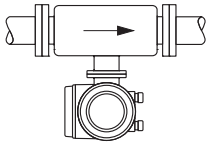
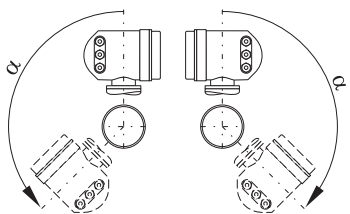


Caution!

New installations should be free of metallic and abrasive particles to prevent damage to the sensing elements on start-up.

4.2.4 Orientation

Make sure that the direction arrow on the sensor matches the direction of flow through the pipe.

	Flanged sensor		Insertion sensor	
Vertical orientation				
 <p>A0013785</p>	compact	remote	compact	remote
	✓✓ ①	✓✓ ①	✓ ①, ②	✓✓ ①
Horizontal orientation, transmitter head up				
 <p>A0013786</p>	compact/remote			
	✓✓ ②			
Horizontal orientation, transmitter head down				
 <p>A0013787</p>	compact/remote			
	✓ ③			
Inclined orientation, transmitter head down				
 <p>A0009897</p>	compact/remote			
	✓ ④			

✓✓ = Recommended orientation

✓ = Orientation recommended in certain situations

① In the case of saturated or unclean gases, upward flow in a vertical pipe section is preferred to minimize condensation/contamination.

② Not recommended if the vibrations are too high or if the installation is unstable.

③ Only suitable for clean/dry gases. Do not mount the sensor from the bottom, on horizontal pipes, if build-up or condensate are likely to be present. Mount the sensor in a position as indicated below

④ If the gas is very wet or saturated with water (e. g. biogas, undried compressed air), mount in inclined orientation ($\alpha = \text{approx. } 135^\circ \pm 10^\circ$).

4.2.5 Inlet and outlet runs

The thermal dispersion principle is sensitive to disturbed flow conditions. As a general rule, the thermal flowmeter should always be installed as far away as possible from any flow disturbances. For further information → ISO Standard 14511.

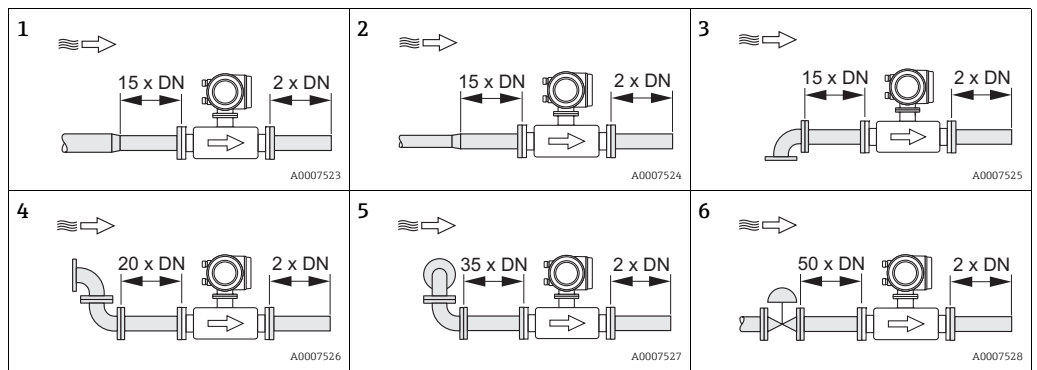


Note!

- Where two or more flow disturbances are located upstream of the meter, the longest indicated inlet length should prevail. For example if a control valve is additionally mounted upstream from the measuring device and an elbow on the inlet side, select the recommended inlet length for control valves: $50 \times \text{DN}$
- For very light gases such as Helium and Hydrogen all upstream distances should be doubled.

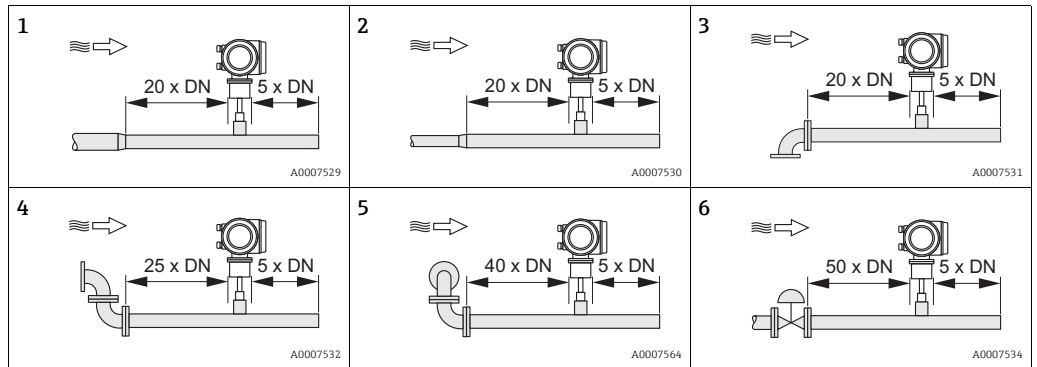
The minimum recommendations for inlet and outlet runs (without flow conditioner) are:

Flanged sensor



1 = Reduction, 2 = Expansion, 3 = 90° elbow or T-piece, 4 = 2 × 90° elbow, 5 = 2 × 90° elbow (3-dimensional), 6 = Control valve

Insertion sensor



1 = Reduction, 2 = Expansion, 3 = 90° elbow or T-piece, 4 = 2 × 90° elbow, 5 = 2 × 90° elbow (3-dimensional), 6 = Control valve or pressure regulator



Note!

A specially designed perforated plate flow conditioner can be installed if it is not possible to observe the inlet runs required (→ 16).

Outlet runs with pressure measuring points

The pressure measuring point should be installed downstream of the measuring device, so that there is no potential influence of the pressure transmitter process connection on the flow entering the measuring point.

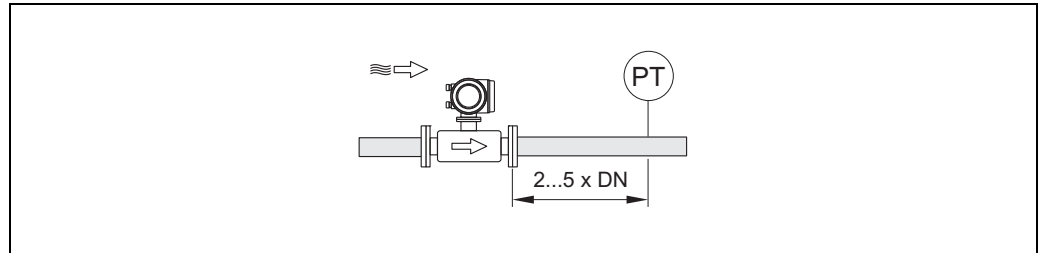


Fig. 5: Installing a pressure measuring point (PT = pressure transmitter)

Perforated plate flow conditioner

It is recommended to install a perforated plate flow conditioner if the recommended inlet runs are not available.

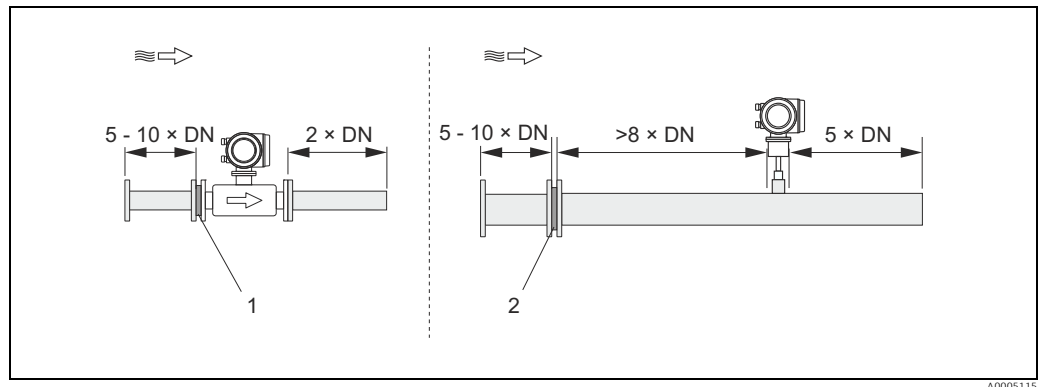


Fig. 6: The figure above illustrates the minimum recommended inlet and outlet runs expressed in multiples of the pipe diameter using a flow conditioner.

1 = Flow conditioner with the flanged sensor, 2 = Flow conditioner with the insertion sensor

Flow conditioner for use with insertion sensors 65I → 69

The well known "Mitsubishi" design is recommended for this application DN 80 mm to DN 300 mm (3" to 12"). The flow conditioner must be installed at a distance of $8 \times DN$ upstream of the sensor. A further 5 pipe diameters minimum inlet run is required upstream of the actual conditioner itself.

Measured errors can occur depending on disturbances in the inlet run. Therefore it is advisable to choose inlet runs that are as long as possible.



Note!

In the case of insertion devices, the inlet run selected downstream of the conditioner should be as long as possible.

Perforated plate flow conditioners (19 hole) for use with flanged sensor 65F → 69

This is a special Endress+Hauser version designed especially for use with the t-mass F sensor (sizes DN 25 to 100 / 1" to 4"). The mounting hole patterns and sizing are of a multi-variant design which means that one plate will fit different flange pressure classes e.g. Cl. 150 and Cl. 300.

The flow conditioner and gaskets are fitted between the pipe flange and the measuring device → 7. Use only standard bolts which match the flange bolt hole to guarantee that the flow conditioner is centered correctly.

The alignment notch must also be pointing in the same plane as the transmitter. Incorrect installation of the flow conditioner will have a small effect on the measurement accuracy.

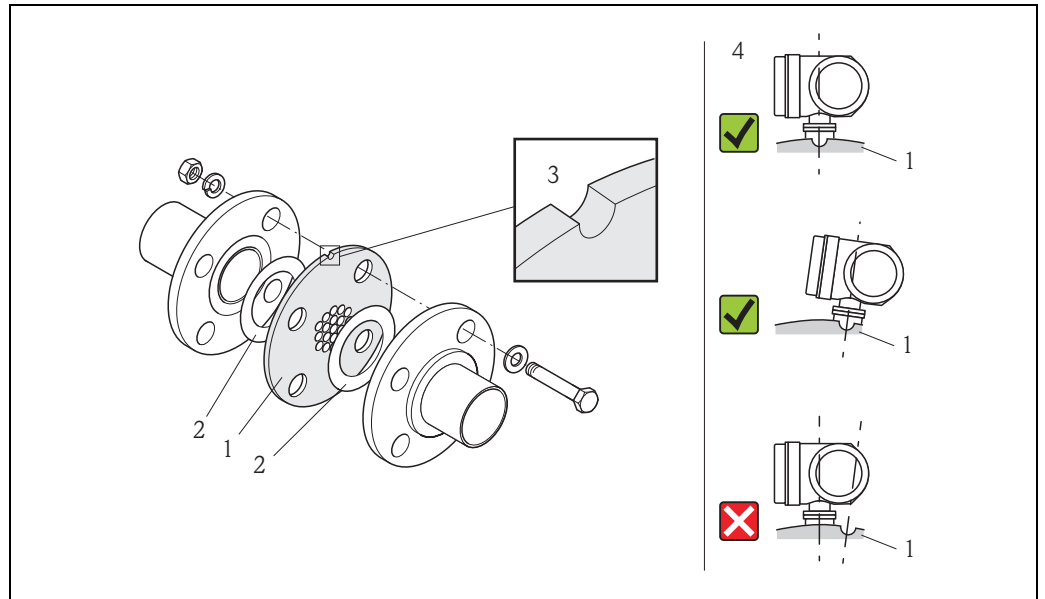


Fig. 7: Flow conditioner mounting arrangement (example)

1 = perforated plate flow conditioner, 2 = seal/gasket, 3 = alignment notch, 4 = alignment in the same plane as the transmitter

Note

- Order the t-mass F sensor and the flow conditioner together to ensure that they are calibrated together. Joint calibration guarantees optimum performance. Ordering the flow conditioner separately and using it with the measuring device will further increase measurement uncertainty.
- The use of conditioners from other suppliers will affect the flow profile and pressure drop and will have an adverse effect on performance.
- Bolts, nuts, seals, etc. are not included in the scope of supply and must be supplied by the customer.

4.2.6 Heating

Some applications require suitable measures to avoid heat loss (condensation). Heating can be electric, e. g. with heated elements, or by means of copper pipes carrying hot water or steam.

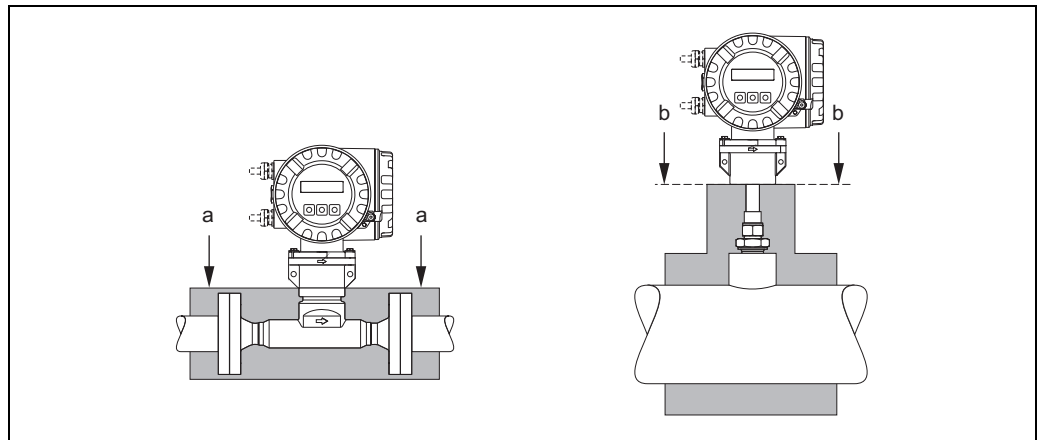


Caution!

Risk of electronics overheating! Consequently, make sure that the adapter between sensor and transmitter and the connection housing of the remote version always remain free of insulating material.

4.2.7 Thermal insulation

If the gas is very wet or saturated with water (e.g. biogas), the piping and sensor housing should be insulated to prevent water droplets from condensing on the transducer.



A0005122

Fig. 8: Maximum thermal insulation for t-mass 65F and 65I

a Maximum insulation height for the flanged sensor

b Maximum insulation height for the insertion sensor

4.2.8 Vibrations



Caution!

Excessive vibration can result in mechanical damage to the measuring device and its mounting.

Observe the vibration specification in the technical data section → 93

4.3 Installation

4.3.1 Mounting the insertion sensor

The sensor can be mounted into a welding boss or a retractable mounting set. If a retractable mounting set is being used, then refer to the supplementary documentation delivered with the mounting set.

Mounting the welding boss

This instruction describes mounting of the Endress+Hauser welding boss. If a welding boss is already available or a customer-specific one is being used, then go to the next section "Insertion depth calculation and adjustment."



Note!

- Take the orientation and inlet and outlet runs into account before mounting the welding socket → 14 ff.
- The welding boss is made of stainless steel 1.4404 (316/316L). Use appropriate welding technique.



Caution!

- When mounting the fitting to a thin wall duct, use a suitable support bracket for the sensor and weld the welding boss to a base plate to spread the load. Otherwise, the mounting may be unstable and the duct wall can be damaged.



Warning!

- These instructions are only applicable to installation in an un-pressurized line, without gas present and at safe temperatures.

1. Drill or a cut hole of $\varnothing 31.0 \text{ mm} \pm 0.5 \text{ mm}$ (1.22 ± 0.019 ") in the pipe.
2. Deburr the hole.
3. Fit the edge of the welding boss into the hole, align it vertically and weld it on → 9.

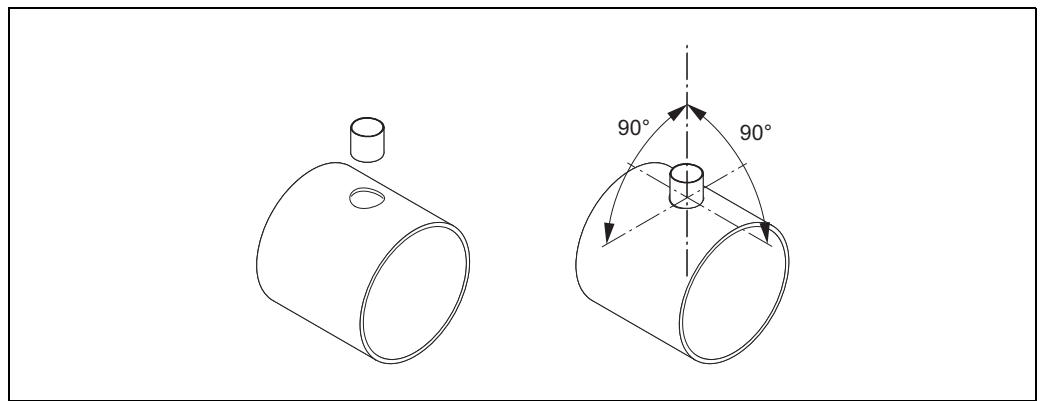


Fig. 9: Positioning the welding socket on the pipe (or duct)

Insertion depth calculation and adjustment

To ensure optimum measurement performance, the insertion sensor must be installed in the correct position in the pipe or duct (30% of the internal diameter).

A millimeter and inch scale is provided along the entire length of the sensor tube. This makes it possible to align the sensor at the right depth.

4. Calculate the insertion depth:
 - with the help of the Quick Setup "Sensor" → 53 or
 - using the following dimensions and formulae

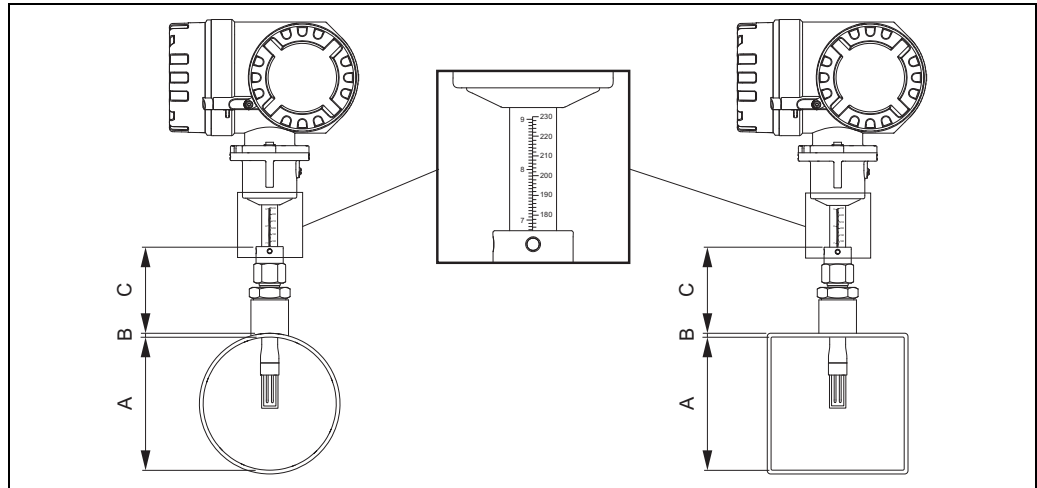


Fig. 10: Dimensions needed to calculate the insertion depth

- A Pipes: internal diameter
Ducts: internal dimension
- B Wall thickness
- C Dimension from pipe/duct to the compression fitting

The following dimensions are required to calculate the insertion depth:

A	<ul style="list-style-type: none"> • For circular pipes: the internal diameter (DN) • For rectangular ducts: <ul style="list-style-type: none"> – The internal duct height if the sensor is installed vertically – The internal duct width if the sensor is installed horizontally <p> Note! Minimum length of dimension A = 80 mm (3.15 in)</p>
B	Pipe / duct wall thickness
C	Height of the welding nozzle at the pipe/duct including the sensor compression fitting or low pressure mounting set (if used).



Note!
For detailed remarks on calculation refer to Technical Information TI00069D.

■ Calculated insertion depth = $(0.3 \times A) + B + C + 2 \text{ mm}$ (0.08 in)

Note down the calculated value.

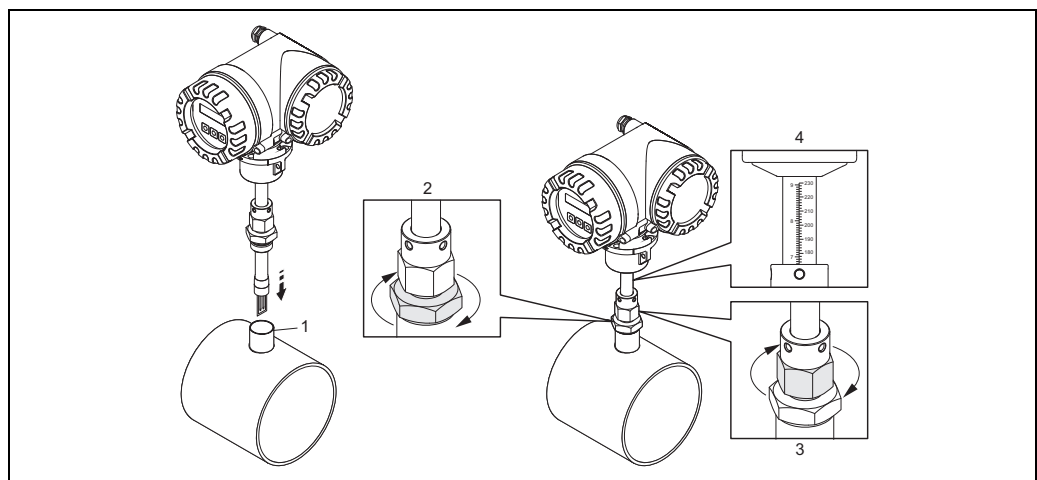


Fig. 11: Aligning the sensor to the calculated insertion depth

5. Insert the sensor in the nozzle (1) and tighten the lower nut of the compression fitting (2) finger-tight.
 - ☞ Caution!
 - NPT thread: use a thread sealing tape or paste
 - G 1 A thread: the sealing ring supplied must be installed
6. Tighten the upper nut of compression fitting (3) such that the sensor can still be adjusted.
7. Read off the calculated insertion depth from the scale and adjust the sensor so that the value aligns with the upper end of the compression fitting (4).
8. Tighten the lower nut of the compression fitting $1\frac{1}{4}$ revolutions using a wrench (42 mm).

Aligning the sensor with the flow direction

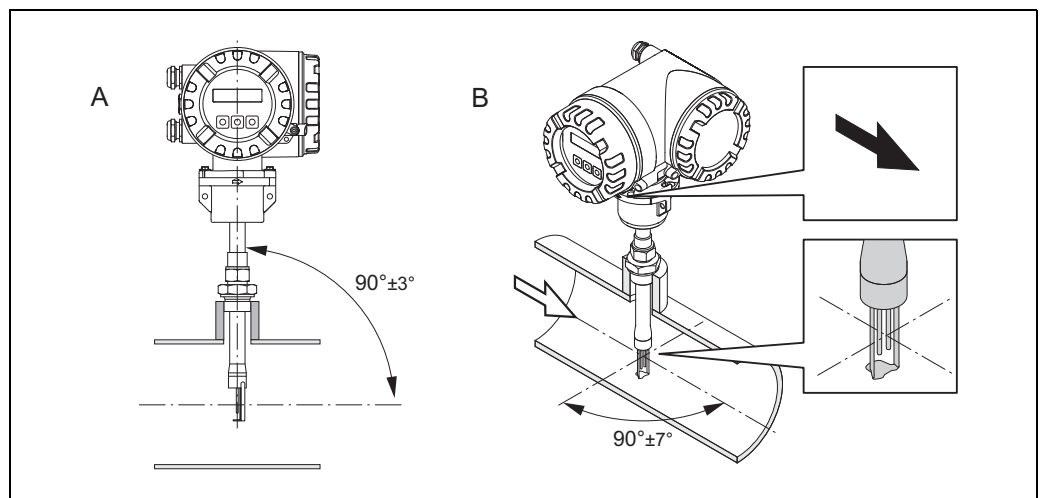


Fig. 12: Aligning the sensor with the flow direction

9. Check and ensure that the sensor is aligned vertically at a 90° angle on the pipe/duct. Turn the sensor so that the arrow marking matches the direction of flow.



Note!

To ensure optimum exposure of the measuring transducer to the flowing gas stream, the sensor must not be rotated more than 7° from this alignment.

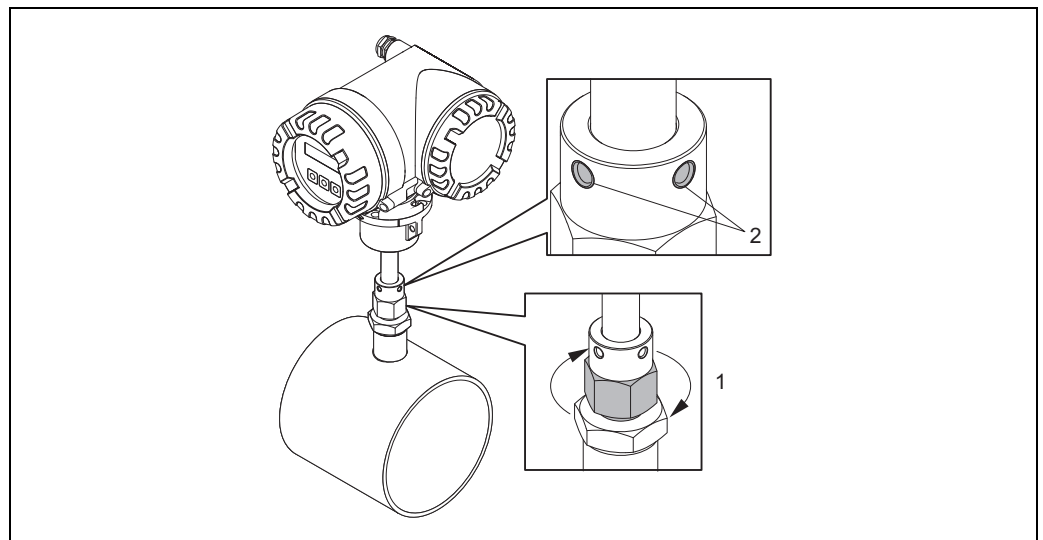



Fig. 13: Securing the position of the sensor

10. Tighten the compression fitting (1) by hand to secure the position of the sensor. Then, using an open-ended wrench, tighten another 1¼ revolutions in a clockwise direction.
11. Fix the two securing screws (2) (Allen key 3 mm; (1/8")).
 Warning!
Observe torque: 4 Nm (2.95 lbf ft)
12. Check that the sensor and transmitter do not turn.
13. Check the measuring point for leaks at the maximum operating pressure.

4.3.2 Removing the insertion sensor



Warning!

- Do not remove the measuring device when it is pressurized! Stop the gas flow and unpressurize the process pipe.
- In the case of toxic, explosive or flammable gases, the pipe in which the measuring device is installed must be purged with an inert gas to remove all traces of the gas used.
- Make sure that the process cannot be resumed while removal work is in progress.
- Allow the system and measuring device to cool to a safe temperature (e.g. $<50\text{ }^{\circ}\text{C}$, ($<120\text{ }^{\circ}\text{F}$)).

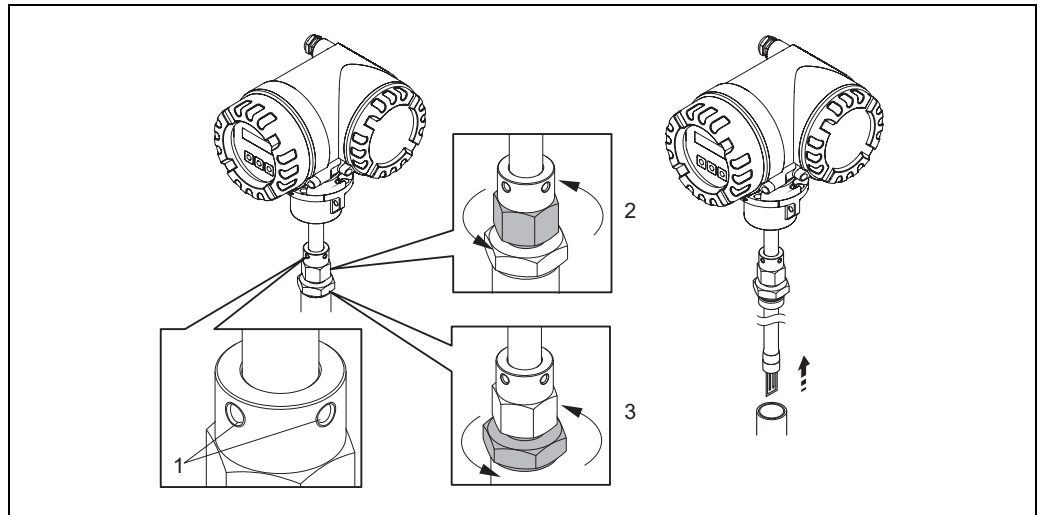


Fig. 14: Removing the insertion sensor

1. Release the securing screws (1).
2. Release the upper nut of compression fitting using a wrench, turning in a counterclockwise direction (2).



Caution!

In the case of vertical installation, do not drop the measuring device into the pipe.

3. Unscrew the lower nut of compression fitting (3) and remove the sensor.

4.3.3 Mounting the flanged sensor

The arrow on the sensor must match with the actual direction of flow through the pipe.

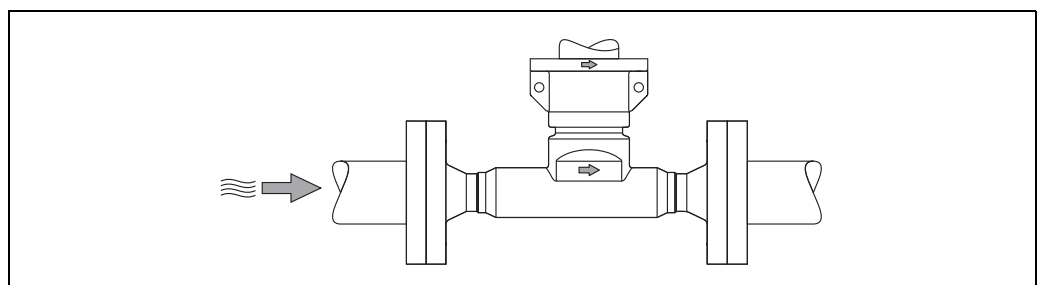


Fig. 15: Mounting in direction of flow

4.3.4 Turning the transmitter housing

Turning the aluminum field housing



Warning!

The rotating mechanism for measuring devices for hazardous areas Zone 1 (ATEX/IEC Ex) or Class I Div. 1 (FM/CSA) is different to that described here. The procedure for turning these housings is described in the Ex-specific documentation → 99.

1. Loosen the two securing screws.



Caution!

Special screw! Do not loosen screw completely or replace with another screw. Use only original Endress+Hauser parts.

1. Turn the bayonet catch as far as it will go.
2. Carefully lift the transmitter housing as far as it will go.
3. Turn the transmitter housing to the desired position (max. $2 \times 90^\circ$ in either direction).
4. Lower the housing into position and re-engage the bayonet catch.
5. Retighten the two securing screws.

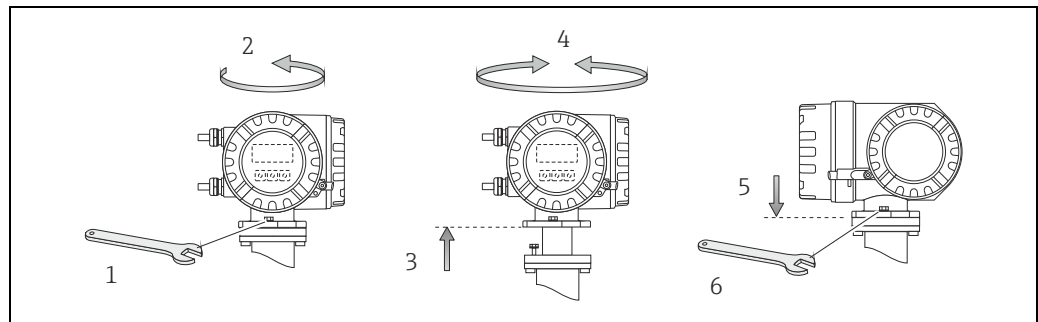


Fig. 16: Turning the transmitter housing (aluminum field housing)

4.3.5 Turning the local display

1. Unscrew cover of the electronics compartment from the transmitter housing.
2. Press the side latches on the display module and remove the module from the electronics compartment cover plate.
3. Rotate the display to the desired position ($4 \times 45^\circ$ in both directions), and reset it onto the electronics compartment cover plate.
4. Screw the cover of the electronics compartment firmly back onto the transmitter housing.

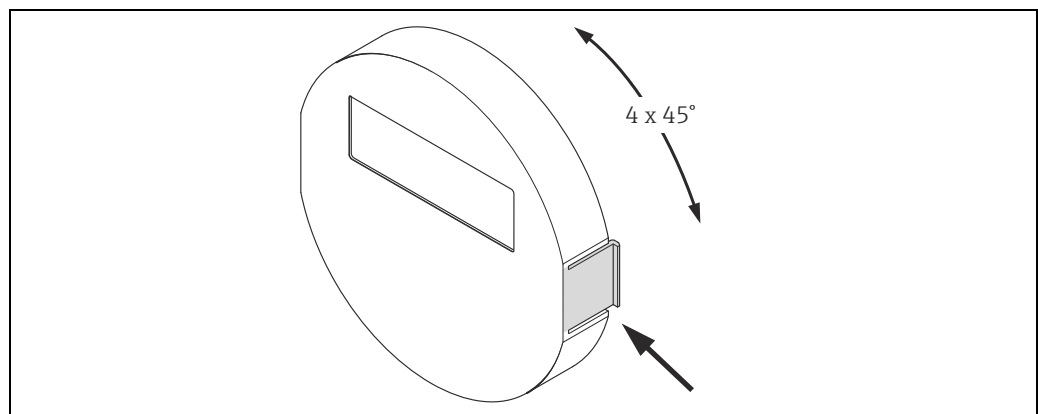


Fig. 17: Turning the local display (field housing)

4.3.6 Installing the wall-mount transmitter housing

There are various ways of installing the wall-mount transmitter housing:

- Mounted directly on the wall
- Installation in control panel → 26 (separate mounting set, accessories) → 69
- Pipe mounting → 26 (separate mounting set, accessories → 69)



Caution!

- The ambient temperature may not exceed the permissible range of -20 to $+60$ °C (-4 to $+140$ °F), optionally -40 to $+60$ °C (-40 to $+140$ °F), at the mounting location.
- Install the device in a shady location. Avoid direct sunlight on the display.
- Always install the wall-mount housing in such a way that the cable entries are pointing down.

Mounted directly on the wall

1. Drill the holes as illustrated in the diagram.
2. Remove the cover of the connection compartment (a).
3. Push the two securing screws (b) through the appropriate bores (c) in the housing.
 - Securing screws (M6): max. \varnothing 6.5 mm (0.26 inch)
 - Screw head: max. \varnothing 10.5 mm (0.41 inch)
4. Secure the transmitter housing to the wall as indicated.
5. Screw the cover of the connection compartment (a) firmly onto the housing.

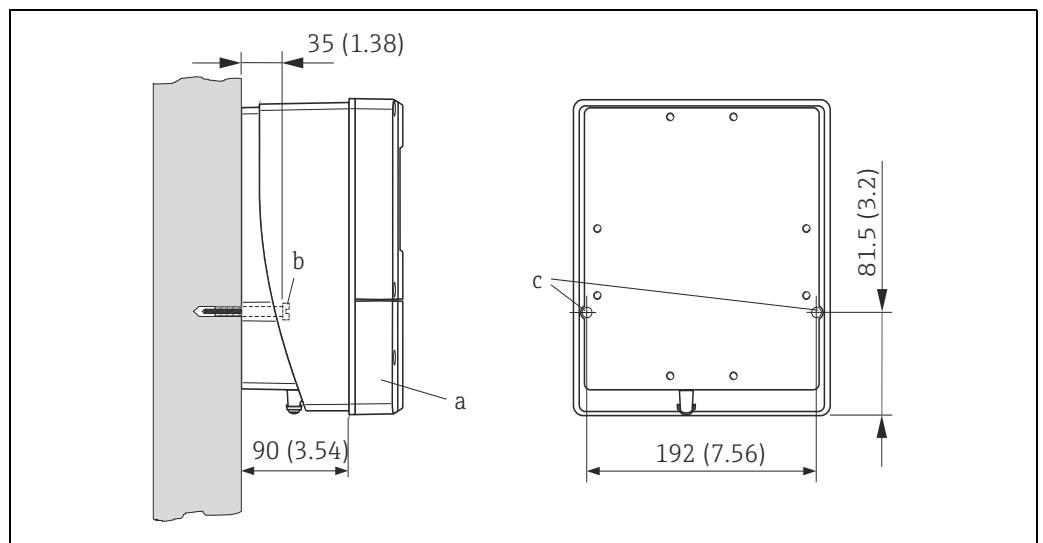


Fig. 18: Engineering unit mm (in)

A0001130

Installation in control panel

1. Prepare the opening in the panel as illustrated in the diagram.
2. Slide the housing into the opening in the panel from the front.
3. Screw the fasteners onto the wall-mount housing.
4. Screw threaded rods into holders and tighten until the housing is solidly seated on the panel wall. Afterwards, tighten the locking nuts.
Additional support is not necessary.

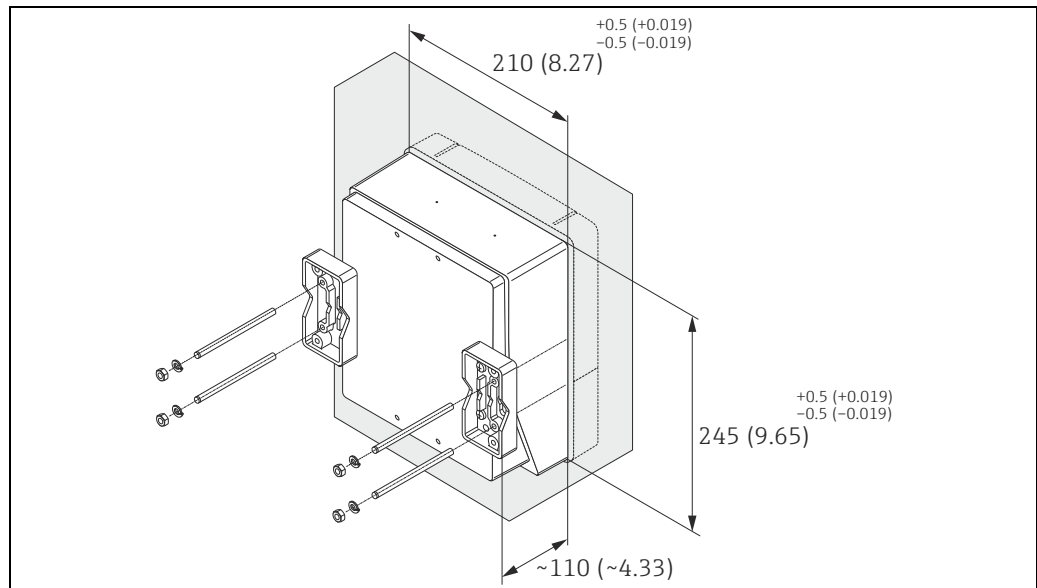


Fig. 19: Engineering unit mm (in)

Pipe mounting

The assembly should be performed by following the instructions in the diagram.



Caution!

If a warm pipe is used for installation, make sure that the housing temperature does not exceed the max. permitted value of +60 °C (+140 °F).

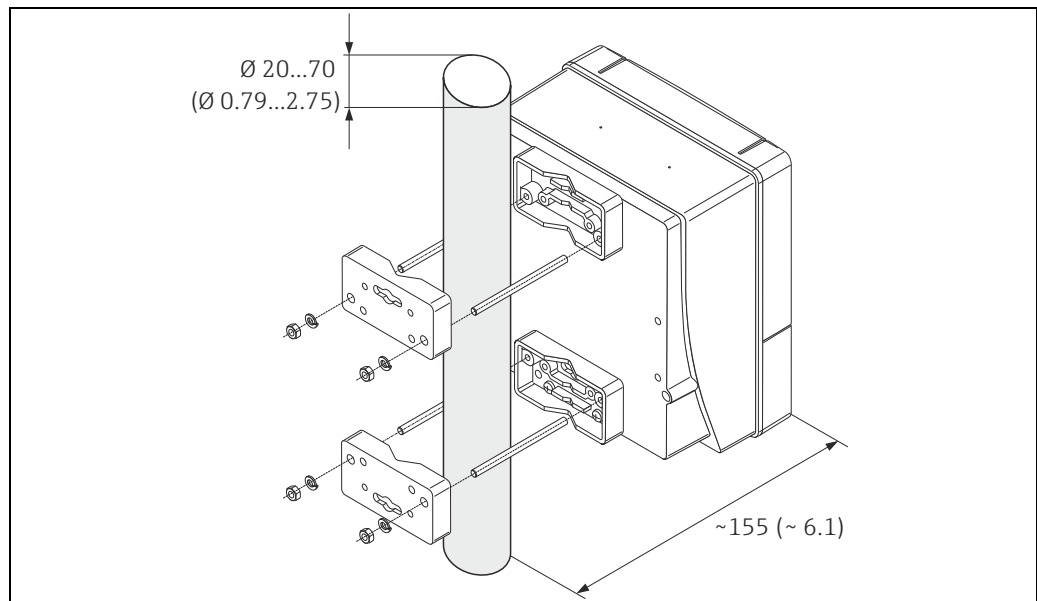














Fig. 20: Engineering unit mm (in)

4.4 Post-installation check

Perform the following checks after installing the measuring device in the pipe:

Device condition and specifications	Notes
Is the measuring device undamaged (visual inspection)?	–
Does the device correspond to specifications at the measurement point, including process temperature and pressure, ambient temperature, measuring range, etc.? Check the name plate.	→  7
Installation	Notes
Correct alignment of pipe/gasket/flowmeter body?	→  13
Professional installation, e.g. correct pipe internal diameter, correctly sized gaskets?	→  13
Is the position chosen for the sensor correct, in other words suitable for sensor type, fluid properties and fluid temperature?	→  14
Is there sufficient upstream and downstream pipe sensor?	→  15
Correct installation of flow conditioner (if fitted)?	→  16
Does the arrow on the sensor match the direction of flow through the pipe?	→  14
Correct sensor depth (insertion sensor only)?	→  19
Process environment/process conditions	Notes
Is the measuring device protected against moisture and direct sunlight?	–
Is the measuring device protected against overheating?	→  18
Is the measuring device protected against excessive vibration?	→  18, →  93
Check gas conditions (e. g. purity, dryness, cleanliness)	Select suitable orientation →  14

5 Electrical connection



Warning!

When connecting Ex-certified measuring devices, see the notes and diagrams in the Ex-specific supplement to these Operating Instructions. Please do not hesitate to contact your Endress+Hauser sales center if you have any questions.



Note!

The measuring device does not have an internal power isolation switch. Therefore provide an isolation switch or circuit breaker which can be used to disconnect the power supply to the measuring device.

5.1 Connecting the remote version



Note!

A cable is not supplied for the remote version.

5.1.1 Connecting the connecting cable for sensor/transmitter



Warning!

- After removing the electronics cover, there is a risk of electric shock as shock protection is removed! Switch off the measuring device before removing internal covers.
- Risk of electric shock. Connect the protective earth to the ground terminal on the housing before the power is supplied.

1. Remove the connection compartment cover by loosening the fixing screws on the transmitter and sensor housing.
2. Feed the connecting cable through the appropriate cable entry.
3. Establish the connections between sensor and transmitter in accordance with the wiring diagram (→ 21 or see wiring diagram in screw cap; wire cross-section: max. 2.5 mm² (14 AWG)).
4. Screw the connection compartment cover back onto the sensor or transmitter housing.

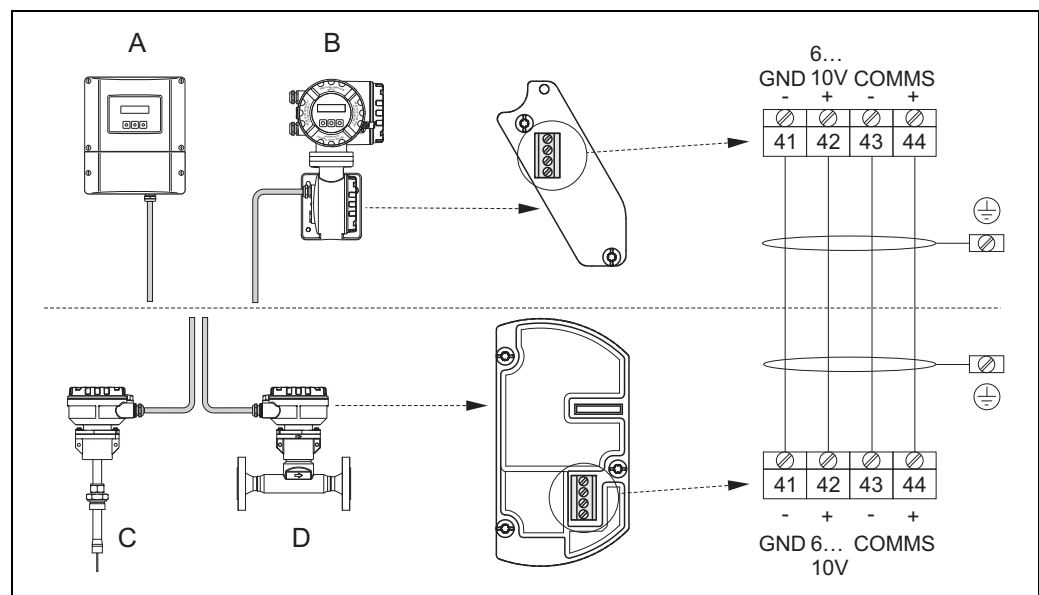


Fig. 21: Connecting the remote version

- A Wallmount housing; Non-hazardous area and zone 2 (ATEX II3G, FM/CSA) → see separate "Ex documentation"
 B Field housing; Zone 1 (ATEX II2GD, IECEx, FM/CSA) → see separate "Ex documentation"
 C Remote sensor insertion
 D Remote sensor flanged

Wire colors (when supplied by Endress+Hauser):
 Terminal no. 41 = white; 42 = brown; 43 = green; 44 = yellow


5.1.2 Cable specification, connecting cable

A cable with the following specifications must be used for the remote version:

- $2 \times 2 \times 0.5 \text{ mm}^2$ (AWG 20) PVC cable with common shield (2 twisted pairs)
- Conductor resistance: $\leq 40 \text{ } \Omega/\text{km}$ ($\leq 131.2 \text{ } \Omega / 1000 \text{ ft}$)
- Operating voltage: $\geq 250 \text{ V}$
- Temperature range: -40 to $+105 \text{ } ^\circ\text{C}$ (-40 to $+221 \text{ } ^\circ\text{F}$)
- Overall nominal diameter: 8.5 mm (0.335')
- Maximum cable length: 100 m (328 feet)



Note!

- The cable must be installed securely to prevent movement
- The cable should be of sufficient diameter to provide adequate sealing of the compression fitting →  90.

5.2 Connecting the measuring unit

5.2.1 Terminal assignment

Electrical values for inputs

→ 88

Electrical values for outputs

→ 89

Order variant	Terminal No. (inputs/outputs)			
	20 (+) / 21 (-)	22 (+) / 23 (-)	24 (+) / 25 (-)	26 (+) / 27 (-)
<i>Fixed communication boards (permanent assignment)</i>				
65F**_*****A 65I_*****A	-	-	Frequency output	Current output HART
65F**_*****B 65I_*****B	Relay output	Relay output	Frequency output	Current output HART
65F**_*****R 65I_*****R	-	-	Current output 2 Ex i, active	Current output 1, Ex i, active, HART
65F**_*****S 65I_*****S	-	-	Frequency output Ex i, passive	Current output, Ex i, active, HART
65F**_*****T 65I_*****T	-	-	Frequency output Ex i, passive	Current output, Ex i, passive, HART
65F**_*****U 65I_*****U	-	-	Current output 2 Ex i, passive	Current output 1, Ex i, passive, HART
<i>Flexible communication boards</i>				
65F**_*****C 65I_*****C	Relay output 2	Relay output 1	Frequency output	Current output, HART
65F**_*****D 65I_*****D	Status input	Relay output	Frequency output	Current output, HART
65F**_*****E 65I_*****E	Status input	Relay output	Current output 2	Current output 1, HART
65F**_*****L 65I_*****L	Status input	Relay output 2	Relay output 1	Current output, HART
65F**_*****2 65I_*****2	Relay output	Current output 2	Frequency output	Current output 1, HART
65F**_*****4 65I_*****4	Current input	Relay output	Frequency output	Current output, HART
65F**_*****5 65I_*****5	Status input	Current input	Frequency output	Current output, HART
65F**_*****6 65I_*****6	Status input	Current input	Current output 2	Current output, HART
65F**_*****8 65I_*****8	Status input	Frequency output	Current output 2	Current output, HART

5.2.2 Transmitter connection



Warning!

- Risk of electric shock. Switch off the power supply before opening the measuring device. Never mount or wire the measuring device while it is connected to the power supply. Failure to comply with this precaution can result in irreparable damage to the electronics.
 - Risk of electric shock. Connect the protective earth to the ground terminal on the housing before the power supply is applied unless special protection measures have been taken (e.g. galvanically isolated power supply SELV or PELV).
 - Compare the specifications on the nameplate with the local supply voltage and frequency. The national regulations governing the installation of electrical equipment also apply.
1. Unscrew the connection compartment cover (f) from the transmitter housing.
 2. Feed the power supply cable (a) and the signal cable (b) through the appropriate cable entries.
 3. Perform wiring:
 - Wiring diagram (aluminum housing) → 22
 - Wiring diagram (wall-mount housing) → 23
 - Terminal assignment → 30
 4. Screw the cover of the connection compartment (f) back onto the transmitter housing.

Connecting the aluminum field housing

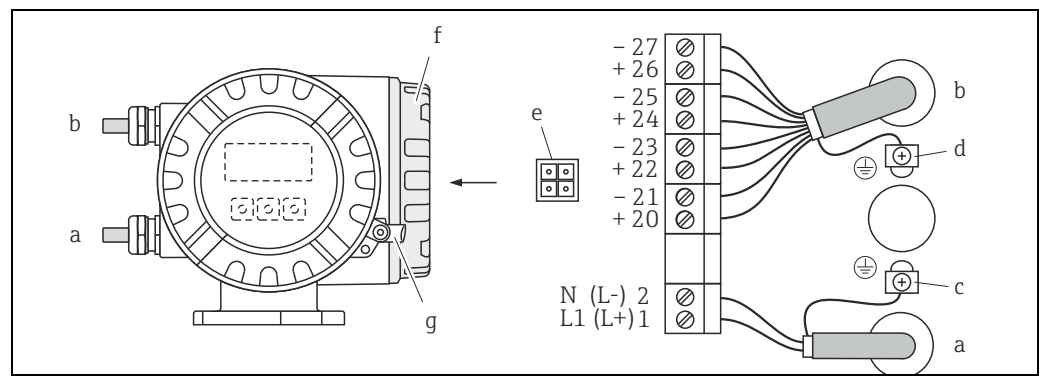


Fig. 22: Connecting the transmitter (aluminum field housing). Wire cross-section: max. 2.5 mm² (14 AWG)

- a Cable for power supply: 85 to 260 V AC, 20 to 55 V AC, 16 to 62 V DC
Terminal No. 1: L1 for AC, L+ for DC
Terminal No. 2: N for AC, L- for DC
- b Signal cable: Terminals Nos. 20-27 → 30
- c Ground terminal for protective earth
- d Ground terminal for signal cable shield
- e Service adapter for connecting service interface FXA193 (FieldCheck, FieldCare)
- f Cover of the connection compartment
- g Securing clamp

Connecting the wall-mount housing

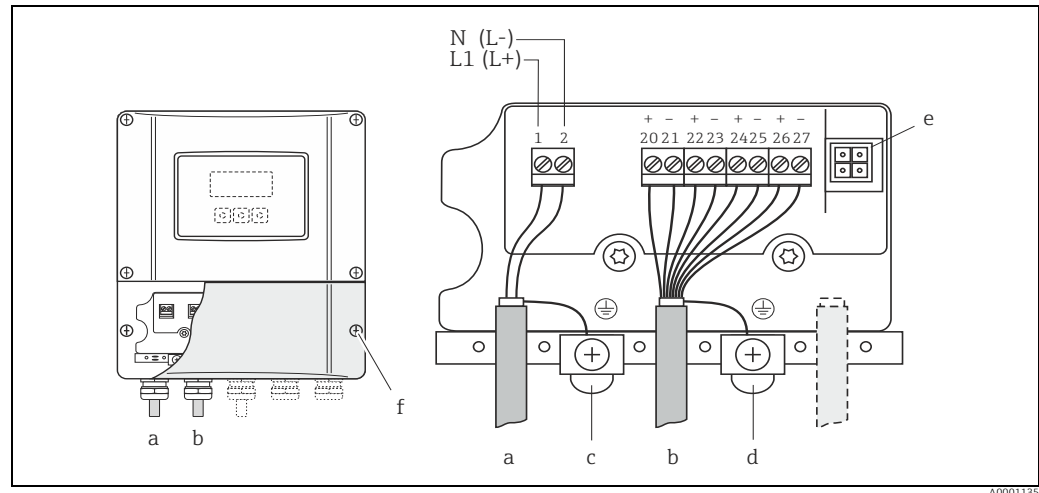


Fig. 23: Connecting the transmitter (wall-mount housing); wire cross-section: max. 2.5 mm² (14 AWG)

- a Cable for power supply: 85 to 260 V AC, 20 to 55 V AC, 16 to 62 V DC
Terminal No. 1: L1 for AC, L+ for DC
Terminal No. 2: N for AC, L- for DC
- b Signal cable: Terminals Nos. 20-27 → 30
- c Ground terminal for protective earth
- d Ground terminal for signal cable shield
- e Service adapter for connecting service interface FXA 193 (FieldCheck, FieldCare)
- f Cover of the connection compartment

5.2.3 HART connection

Users have the following connection options at their disposal:

- Direct connection to transmitter by means of terminals 26(+) / 27(-)
- Connection by means of the 4 to 20 mA circuit



Note!

- The measuring circuit's minimum load must be at least 250 Ω.
- The CURRENT SPAN function must be set to "4-20 mA" (individual options see device function).

Connection of the HART handheld communicator

See also the documentation issued by the HART Communication Foundation, and in particular HCF LIT 20: "HART, a technical summary".

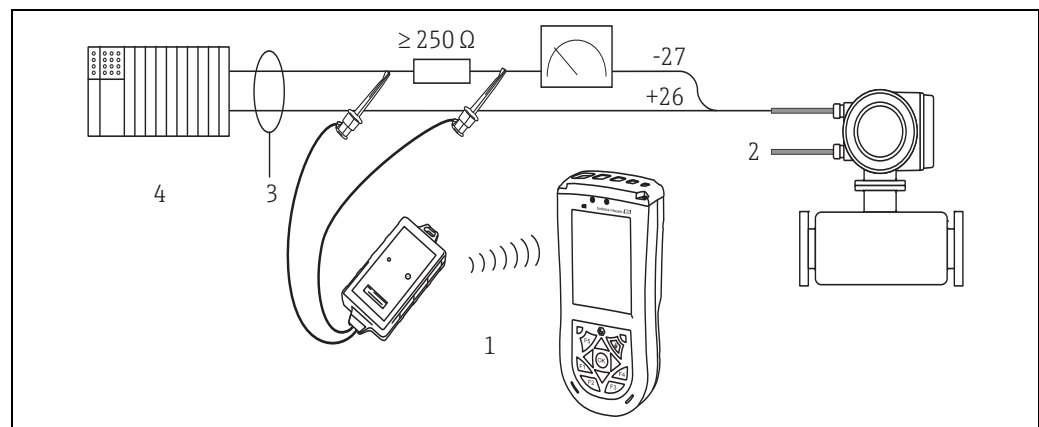


Fig. 24: Electrical connection of HART handheld Field Xpert SFX100

- 1 HART handheld Field Xpert SFX100
- 2 Power supply
- 3 Shielding
- 4 Other devices or PLC with passive input

Connection of a PC with an operating software

In order to connect a PC with operating software (e.g. FieldCare), a HART modem is needed.

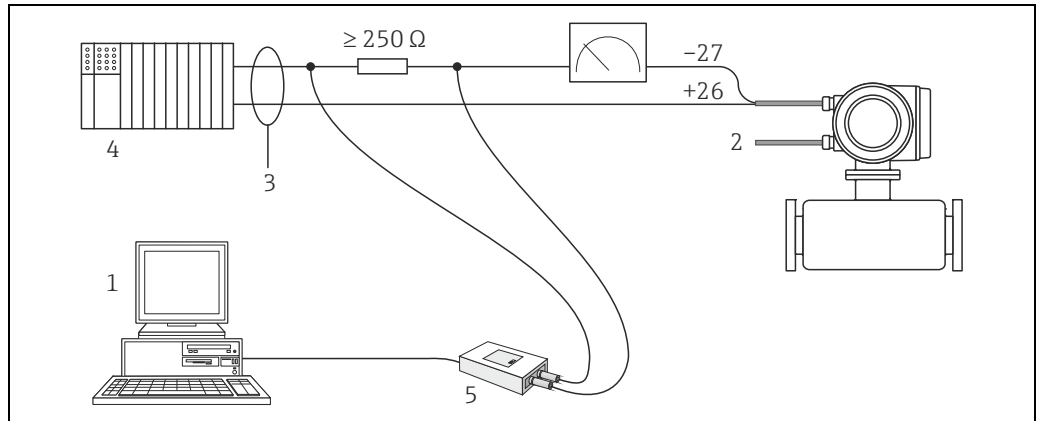


Fig. 25: Electrical connection of a PC with operating software

- 1 PC with operating software
- 2 Power supply
- 3 Shielding
- 4 Other devices or PLC with passive input
- 5 HART modem

5.3 Degree of protection

The measuring devices fulfill all the requirements for IP 67 (NEMA 4X).

Compliance with the following points is mandatory following installation in the field or servicing, in order to ensure that IP 67 (NEMA 4X) protection is maintained:

- The housing seals must be clean and undamaged when inserted into their grooves. The seals must be dried, cleaned or replaced if necessary.
- All threaded fasteners and screw covers must be firmly tightened.
- The cables used for connection must be of the specified outside diameter (cable entry → 90)
- Firmly tighten the cable entries (a).
- The cables must loop down before they enter the cable entries ("water trap") (b). This arrangement prevents moisture penetrating the entry. Always install the measuring device in such a way that the cable entries do not point up.
- Remove all unused cable entries and insert blanking plugs instead.
- Do not remove the grommet from the cable entry.

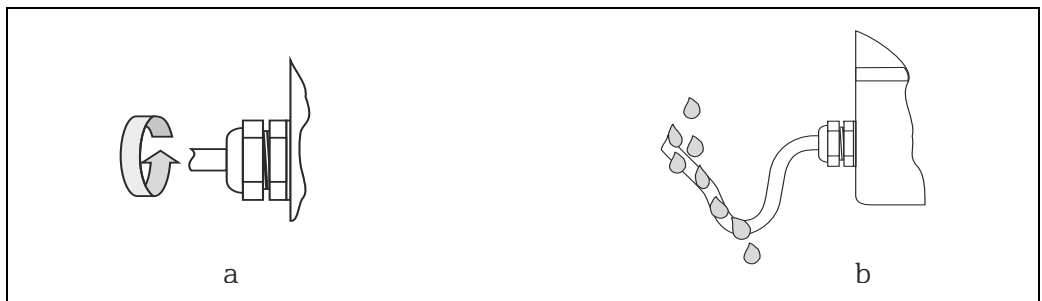





Fig. 26: Installation instructions, cable entries

5.4 Post-connection check

Perform the following checks after completing electrical installation of the measuring device:

Measuring device condition and specifications	Notes
Are the measuring device or cables undamaged (visual inspection)?	-
Electrical connection	Notes
Does the supply voltage match the specifications on the nameplate?	85 to 260 V AC (45 to 65 Hz) 20 to 55 V AC (45 to 65 Hz) 16 to 62 V DC
Do the cables comply with the specifications?	→  29
Do the cables have adequate strain relief?	-
Cables correctly segregated by type? Without loops and crossovers?	-
Are the power supply and signal cables correctly connected?	See the wiring diagram inside the cover of the terminal compartment
Only remote version: Is the flow sensor connected to the matching transmitter electronics?	Check serial number on nameplates of sensor and connected transmitter.
Only remote version: is the connecting cable between sensor and transmitter connected correctly?	→  28
Are all screw terminals firmly tightened?	-
Are all cable entries installed, firmly tightened and correctly sealed? Cables looped as "water traps"?	→  33
Are all housing covers installed and firmly tightened?	-

6 Operation

6.1 Display and operating elements

The local display enables you to read all important parameters directly at the measuring point or configure the measuring device via the "Quick Setup" or the function matrix. The display consists of two lines; this is where measured values and/or status variables (process/system error messages, bar graph, etc.) are displayed. You can change the assignment of display lines to different variables to suit your needs and preferences (→ see the "Description of Device Functions" manual).

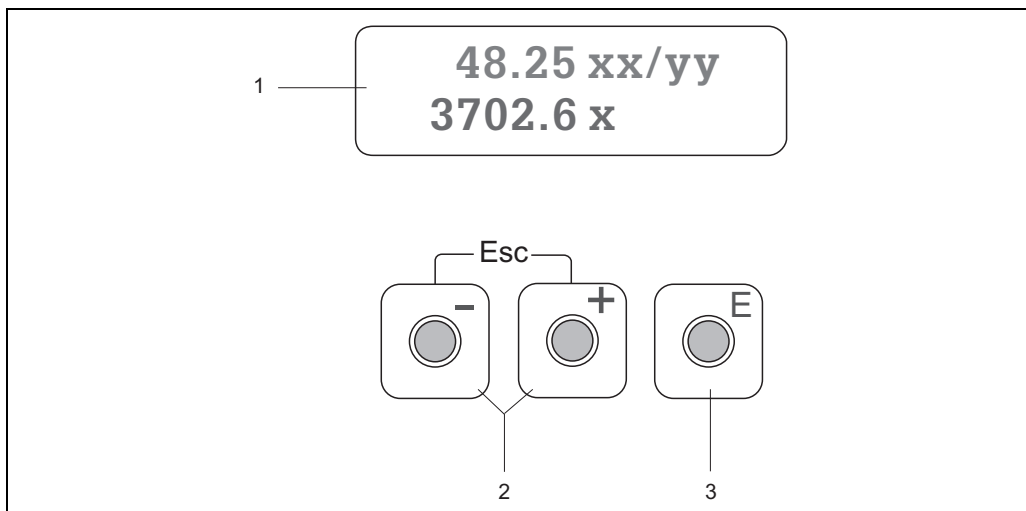


Fig. 27: Display and operating elements

- 1 **Liquid crystal display**
 The backlit, two-line liquid crystal display shows measured values, dialog texts, fault messages and notice messages. The display as it appears when normal measuring is in progress is known as the HOME position (operating mode).
 - Upper display line: shows primary measured values, e.g. mass flow in [kg/h] or in [%].
 - Lower display line: shows additional measured variables or status variables, e.g. totalizer reading in [kg], bar graph, measuring point designation.
- 2 **[+]/[-] keys**
 - Enter numerical values, select parameters
 - Select different function groups within the function matrix
 Press the [+]/[-] keys simultaneously (↵) to trigger the following functions:
 - Exit the function matrix step by step → HOME position
 - Press and hold down ↵ keys for longer than 3 seconds → Return directly to HOME position
 - Cancel data entry
- 3 **[E] Enter key**
 - HOME position → Entry into the function matrix
 - Save the numerical values you input or settings you change

Icons

The icons which appear in the field on the left make it easier to read and recognize measured variables, measuring device status, and error messages.

Icon	Meaning	Icon	Meaning
S	System error	P	Process error
⚡	Fault message (with effect on outputs)	!	Notice message (without effect on outputs)
⊕	Low flow cut off or extended flow function is active		

6.2 Brief operating instructions for the function matrix



Note!

- See the general notes → 37
 - Function descriptions → see the "Description of Device Functions" manual
1. HOME position → **E** → Entry into the function matrix
 2. Select a function group (e.g. CURRENT OUTPUT 1)
 3. Select a function (e.g. TIME CONSTANT)
Change parameter / enter numerical values:
 - + -** → Select or enter enable code, parameters, numerical values
 - E** → Save your entries
 4. Exit the function matrix:
 - Press and hold down Esc key (**Esc**) for longer than 3 seconds → HOME position
 - Repeatedly press Esc key (**Esc**) → Return step by step to HOME position

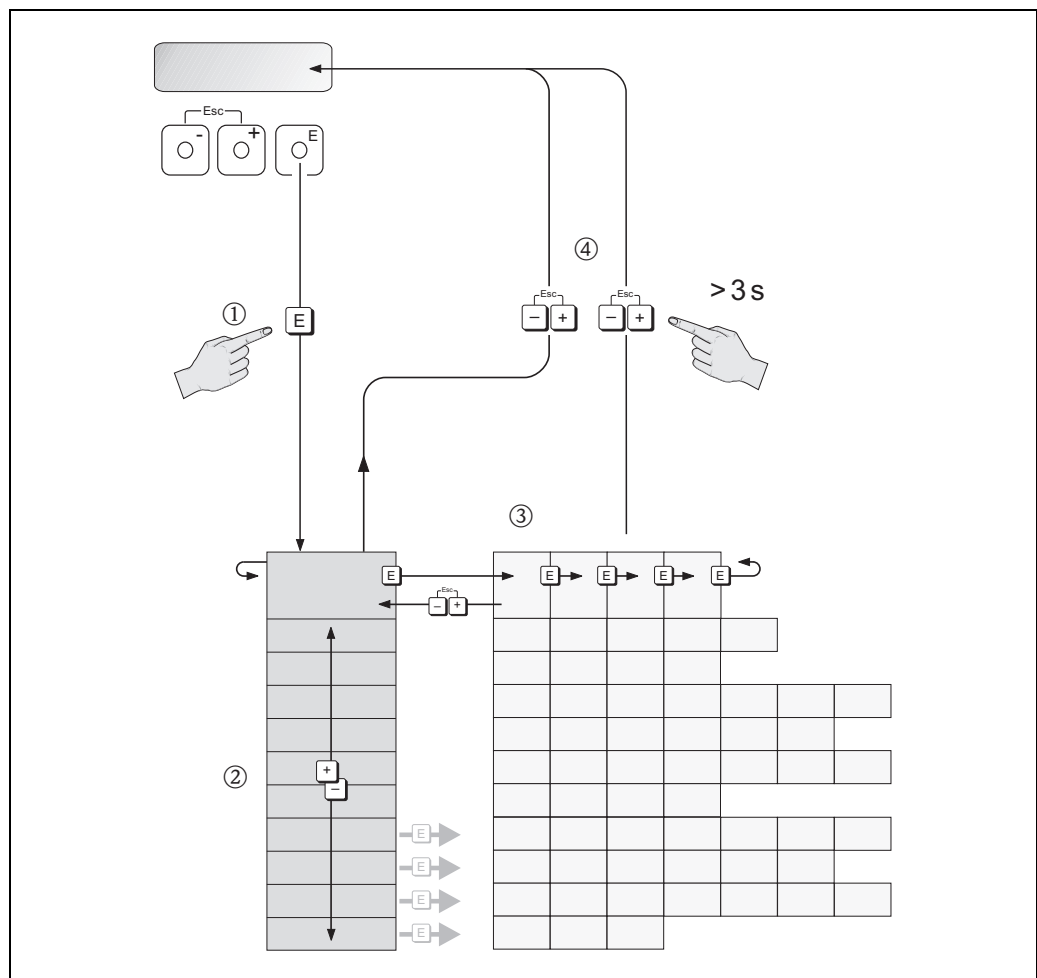




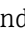
Fig. 28: Selecting functions and configuring parameters (function matrix)

A0001142

6.2.1 General notes

The Quick Setup menu contains the default settings that are adequate for commissioning. Complex measuring operations on the other hand necessitate additional functions that you can configure as necessary and customize to suit your process parameters. The function matrix, therefore, comprises a multiplicity of additional functions which, for the sake of clarity, are arranged in a number of function groups.

Comply with the following instructions when configuring functions:

- You select functions as described already →  36.
- You can switch off certain functions (OFF). If you do so, related functions in other function groups will no longer be displayed.
- Certain functions prompt you to confirm your data entries. Press  to select "SURE (YES)" and press  to confirm. This saves your setting or starts a function.
- Return to the HOME position is automatic if no key is pressed for 5 minutes.
- Programming mode is disabled automatically if you do not press a key within 60 seconds following automatic return to the HOME position.



Caution!

All functions are described in detail, as is the function matrix itself, in the "Description of Device Functions" manual, which is a separate part of these Operating Instructions.



Note!

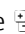
- The transmitter continues to measure while data entry is in progress, i.e. the current measured values are output via the signal outputs in the normal way.
- If the power supply fails, all preset and parameterized values remain safely stored in the EEPROM.

6.2.2 Enabling the programming mode

The function matrix can be disabled. Disabling the function matrix rules out the possibility of inadvertent changes to device functions, numerical values or factory settings. A numerical code (factory setting = 65) has to be entered before settings can be changed.

If you use a code number of your choice, you exclude the possibility of unauthorized persons accessing data (→ see the "Description of Device Functions" manual).

Comply with the following instructions when entering codes:

- If programming is disabled and the  operating elements are pressed in any function, a prompt for the code automatically appears on the display.
- If "0" is specified as the customer's code, programming is always enabled.
- Your Endress+Hauser sales center can be of assistance if you mislay your private code.



Caution!

Changing certain parameters, such as all sensor characteristics, for example, influences numerous functions of the entire measuring system, particularly measuring accuracy. There is no need to change these parameters under normal circumstances and, consequently, they are protected by a special code known only to the Endress+Hauser sales center. Please contact Endress+Hauser first if you have any questions.

6.2.3 Disabling the programming mode

Programming mode is disabled if an operating element is not pressed within 60 seconds following automatic return to the HOME position.

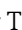
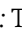
Programming can also be disabled by entering any number in the "ACCESS CODE" function (other than the customer's code).

6.3 Error messages

6.3.1 Type of error

Errors that occur during commissioning or measuring are displayed immediately. If two or more system or process errors occur, the error with the highest priority is the one shown on the display.

The measuring device distinguishes between two types of error:

- **System error:** This group includes all device errors, e.g. communication errors, hardware errors etc. →  72
- **Process error:** This group includes all application errors, e.g. flow limit etc. →  76

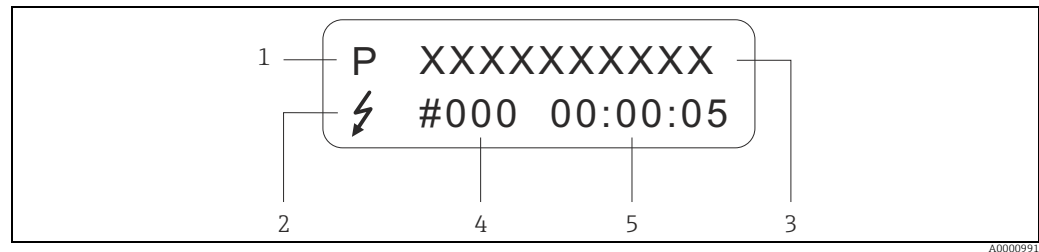


Fig. 29: Error messages on the display (example)

- 1 Error type: P = process error, S = system error
- 2 Error message type: ⚡ = fault message, ! = notice message, definition
- 3 Error designation: e.g. FLOW LIMIT = maximum flow limit exceeded
- 4 Error number: e.g. #422
- 5 Duration of most recent error occurrence (in hours, minutes and seconds)

6.3.2 Error message type


Users have the option of weighting system and process errors differently, by defining them as **Fault messages** or **Notice messages**. This is specified via the function matrix (see the "Description of Device Functions" manual).

Serious system errors, e.g. module defects, are always identified and classified as "fault messages" by the measuring device.

Notice message (!)

- The error in question has no effect on the current operation and on the outputs of the measuring device.
- Displayed as → Exclamation mark (!), error designation (S: system error, P: process error).

Fault message (\$)


- The error in question interrupts or stops the current operation and has a direct effect on the outputs. The response of the outputs (failsafe mode) can be defined by means of functions in the function matrix. →  78
- Displayed as → Lightning flash (⚡), error designation (S: system error, P: process error).



Note!

For safety reasons, error messages should be outputted via the status output.

6.4 Communication

In addition to local operation, the measuring device can be configured and measured values can be obtained by means of the HART protocol. Digital communication takes place using the 4-20 mA current output HART. →  32

The HART protocol allows the transfer of measuring and device data between the HART master and the field devices for configuration and diagnostics purposes. The HART master, e.g. a handheld terminal or PC-based operating programs (such as FieldCare), require device description (DD) files which are used to access all the information in a HART device. Information is exclusively transferred using so-called "commands".

There are three different command groups:

- **Universal Commands**

Universal commands are supported and used by all HART devices. These are associated with the following functionalities for example:

- Recognizing HART devices
- Reading digital measured values (mass flow, totalizer, etc.)

- **Common practice commands:**


Common practice commands offer functions which are supported or can be executed by most but not all field devices.

- **Device-specific commands:**

These commands allow access to device-specific functions which are not HART standard. Such commands access individual field device information, amongst other things, such as empty/full pipe calibration values, low flow cut off settings etc.



Note!

The measuring device has access to all three command classes. List of all "Universal Commands" and "Common Practice Commands": →  41

6.4.1 Operating options

For the complete operation of the measuring device, including device-specific commands, device description (DD) files are available to the user for the following operating aids and programs:



Note!

The HART protocol requires the "4 to 20 mA HART" setting (individual options see device function) in the CURRENT SPAN function (current output 1).

Field Xpert HART Communicator

Selecting device functions with a HART Communicator is a process involving a number of menu levels and a special HART function matrix.

The HART manual in the carrying case of the HART Communicator contains more detailed information on the device.

Operating program "FieldCare"

FDT-based plant asset management tool from Endress+Hauser. It can configure all intelligent field devices in your plant and supports you in managing them. By using status information, it also provides a simple but effective means of checking their health. The Proline flow measuring devices are accessed via a service interface or via the service interface FXA193.

Operating program "SIMATIC PDM" (Siemens)

SIMATIC PDM is a standardized, manufacturer-independent tool for the operation, configuration, maintenance and diagnosis of intelligent field devices.

Operating program "AMS" device manager (Emerson Process Management)

AMS (Asset Management Solutions): program for operating and configuring measuring devices.

6.4.2 Device description files

The device description files that suit the individual operating tools are listed in the following table.

HART protocol:

Valid for software:	1.01.XX	→ Function "Device software"
Device data HART		
Manufacturer ID:	17 _{hex} (ENDRESS+HAUSER)	→ Function "Manufacturer ID"
Device ID:	65 _{hex}	→ Function "Device ID"
HART version data:	Device Revision 6/ DD Revision 1	
Software release:	10.2009	
Operating program	Sources for obtaining device descriptions	
Field Xpert handheld terminal	Use update function of handheld terminal	
FieldCare / DTM	<ul style="list-style-type: none"> ▪ www.endress.com → Download ▪ CD-ROM (Endress+Hauser order number 56004088) ▪ DVD (Endress+Hauser order number 70100690) 	
AMS	www.endress.com → Download	
SIMATIC PDM	www.endress.com → Download	

Tester/simulator	Sources for obtaining device descriptions
Fieldcheck	Update by means of FieldCare with the Flow Communication FXA193/291 DTM in the Fieldflash Module

6.4.3 Device and process variables

Device variables:

The following device variables are available using the HART protocol:

Code (decimal)	Device variable
0	OFF (unassigned)
1	Mass flow
2	Corrected volume flow
3	Temperature
53	Heat flow
250	Totalizer 1
251	Totalizer 2

Process variables:

At the factory, the process variables are assigned to the following device variables:

- Primary process variable (PV) → Mass flow
- Second process variable (SV) → Totalizer 1
- Third process variable (TV) → Temperature
- Fourth process variable (FV) → Corrected volume flow




Note!



You can set or change the assignment of device variables to process variables using Command 51. → 41

6.4.4 Universal / Common practice HART commands

The following table contains all the universal commands supported by the measuring device.







Command No. HART command / Access type	Command data (numeric data in decimal form)	Response data (numeric data in decimal form)
Universal Commands		
0	Read unique device identifier Access type = read	<p>none</p> <p>Device identification delivers information on the measuring device and the manufacturer. It cannot be changed.</p> <p>The response consists of a 12-byte device ID:</p> <ul style="list-style-type: none"> - Byte 0: fixed value 254 - Byte 1: Manufacturer ID, 17 = Endress+Hauser - Byte 2: Device type ID, e.g. 65 = t-mass 65 - Byte 3: Number of preambles - Byte 4: Universal commands rev. no. - Byte 5: Device-specific commands rev. no. - Byte 6: Software revision - Byte 7: Hardware revision - Byte 8: Additional device information - Byte 9-11: Device identification
1	Read primary process variable Access type = read	<p>none</p> <ul style="list-style-type: none"> - Byte 0: HART unit code of the primary process variable - Bytes 1-4: Primary process variable <p><i>Factory setting:</i> Primary process variable = Mass flow</p> <p> Note!</p> <ul style="list-style-type: none"> ■ You can set the assignment of device variables to process variables using Command 51. ■ Manufacturer-specific units are represented using the HART unit code "240".
2	Read the primary process variable as current in mA and percentage of the set measuring range Access type = read	<p>none</p> <ul style="list-style-type: none"> - Bytes 0-3: Actual current of the primary process variable in mA - Bytes 4-7: Percentage of the set measuring range <p><i>Factory setting:</i> Primary process variable = Mass flow</p> <p> Note!</p> <p>You can set the assignment of device variables to process variables using Command 51.</p>


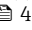
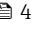


Command No. HART command / Access type		Command data (numeric data in decimal form)	Response data (numeric data in decimal form)
3	Read the primary process variable as current in mA and four (preset using Command 51) dynamic process variables Access type = read	none	<p>24 bytes are sent as a response:</p> <ul style="list-style-type: none"> - Bytes 0-3: Primary process variable current in mA - Byte 4: HART unit code of the primary process variable - Bytes 5-8: Primary process variable - Byte 9: HART unit code of the second process variable - Bytes 10-13: Second process variable - Byte 14: HART unit code of the third process variable - Bytes 15-18: Third process variable - Byte 19: HART unit code of the fourth process variable - Bytes 20-23: Fourth process variable <p><i>Factory setting:</i></p> <ul style="list-style-type: none"> ■ Primary process variable = Mass flow ■ Second process variable = Totalizer 1 ■ Third process variable = Temperature ■ Fourth process variable = Corrected volume flow <p> Note!</p> <ul style="list-style-type: none"> ■ You can set the assignment of device variables to process variables using Command 51. ■ Manufacturer-specific units are represented using the HART unit code "240".
6	Set HART shortform address Access type = write	<p>Byte 0: desired address (0 to 15)</p> <p><i>Factory setting:</i> 0</p> <p> Note! With an address >0 (multidrop mode), the current output of the primary process variable is set to 4 mA.</p>	Byte 0: active address
11	Read unique device identification using the TAG (measuring point designation) Access type = read	Bytes 0-5: TAG	<p>Device identification delivers information on the measuring device and the manufacturer. It cannot be changed.</p> <p>The response consists of a 12-byte device ID if the given TAG agrees with the one saved in the measuring device:</p> <ul style="list-style-type: none"> - Byte 0: fixed value 254 - Byte 1: Manufacturer ID, 17 = Endress+Hauser - Byte 2: Device type ID, 65 = t-mass 65 - Byte 3: Number of preambles - Byte 4: Universal commands rev. no. - Byte 5: Device-specific commands rev. no. - Byte 6: Software revision - Byte 7: Hardware revision - Byte 8: Additional device information - Byte 9-11: Device identification
12	Read user message Access type = read	none	<p>Bytes 0-24: User message</p> <p> Note! You can write the user message using Command 17.</p>
13	Read TAG, descriptor and date Access type = read	none	<ul style="list-style-type: none"> - Bytes 0-5: TAG - Bytes 6-17: Descriptor - Byte 18-20: Date <p> Note! You can write the TAG, descriptor and date using Command 18.</p>

Command No. HART command / Access type		Command data (numeric data in decimal form)	Response data (numeric data in decimal form)
14	Read sensor information on primary process variable	none	– Bytes 0-2: Sensor serial number – Byte 3: HART unit code of sensor limits and measuring range of the primary process variable – Bytes 4-7: Upper sensor limit – Bytes 8-11: Lower sensor limit – Bytes 12-15: Minimum span  Note! ■ The data relate to the primary process variable (= Mass flow). ■ Manufacturer-specific units are represented using the HART unit code "240".
15	Read output information of primary process variable Access type = read	none	– Byte 0: Alarm selection ID – Byte 1: Transfer function ID – Byte 2: HART unit code for the set measuring range of the primary process variable – Bytes 3-6: Upper range, value for 20 mA – Bytes 7-10: Start of measuring range, value for 4 mA – Byte 11-14: Attenuation constant in [s] – Byte 15: Write protection ID – Byte 16: OEM dealer ID, 17 = Endress+Hauser <i>Factory setting:</i> Primary process variable = Mass flow  Note! ■ You can set the assignment of device variables to process variables using Command 51. ■ Manufacturer-specific units are represented using the HART unit code "240".
16	Read the measuring device production number Access type = read	none	Bytes 0-2: Production number
17	Write user message Access = write	You can save any 32-character long text in the measuring device under this parameter: Bytes 0-23: Desired user message	Displays the current user message in the measuring device: Bytes 0-23: Current user message in the measuring device
18	Write TAG, descriptor and date Access = write	With this parameter, you can store an 8 character TAG, a 16 character descriptor and a date: – Bytes 0-5: TAG – Bytes 6-17: Descriptor – Byte 18-20: Date	Displays the current information in the measuring device: – Bytes 0-5: TAG – Bytes 6-17: Descriptor – Byte 18-20: Date

The following table contains all the common practice commands supported by the measuring device.

Command No. HART command / Access type		Command data (numeric data in decimal form)	Response data (numeric data in decimal form)
Common Practice Commands			
34	Write damping value for primary process variable Access = write	Bytes 0-3: Damping value of the primary process variable in seconds <i>Factory setting:</i> Primary process variable = Mass flow	Displays the current damping value in the measuring device: Bytes 0-3: Damping value in seconds

Command No. HART command / Access type		Command data (numeric data in decimal form)	Response data (numeric data in decimal form)
35	Write measuring range of primary process variable Access = write	Write the desired measuring range: <ul style="list-style-type: none"> - Byte 0: HART unit code of the primary process variable - Bytes 1-4: Upper range, value for 20 mA - Bytes 5-8: Start of measuring range, value for 4 mA <i>Factory setting:</i> Primary process variable = Mass flow  Note! <ul style="list-style-type: none"> ▪ You can set the assignment of device variables to process variables using Command 51. ▪ If the HART unit code is not the correct one for the process variable, the measuring device will continue with the last valid unit. 	The currently set measuring range is displayed as a response: <ul style="list-style-type: none"> - Byte 0: HART unit code for the set measuring range of the primary process variable - Bytes 1-4: Upper range, value for 20 mA - Bytes 5-8: Start of measuring range, value for 4 mA  Note! Manufacturer-specific units are represented using the HART unit code "240".
38	Device status reset (Configuration changed) Access = write	none	none
40	Simulate output current of primary process variable Access = write	Simulation of the desired output current of the primary process variable. An entry value of 0 exits the simulation mode: Byte 0-3: Output current in mA <i>Factory setting:</i> Primary process variable = Mass flow  Note! You can set the assignment of device variables to process variables with Command 51.	The momentary output current of the primary process variable is displayed as a response: Byte 0-3: Output current in mA
42	Perform master reset Access = write	none	none
44	Write unit of primary process variable Access = write	Set unit of primary process variable. Only units which are suitable for the process variable are transferred to the measuring device: Byte 0: HART unit code <i>Factory setting:</i> Primary process variable = Mass flow  Note! <ul style="list-style-type: none"> ▪ If the written HART unit code is not the correct one for the process variable, the measuring device will continue with the last valid unit. ▪ If you change the unit of the primary process variable, this has no impact on the system units. 	The current unit code of the primary process variable is displayed as a response: Byte 0: HART unit code  Note! Manufacturer-specific units are represented using the HART unit code "240".
48	Read additional device status Access = read	none	The device status is displayed in extended form as the response: Coding: see table →  46

Command No.	HART command / Access type	Command data (numeric data in decimal form)	Response data (numeric data in decimal form)
50	Read assignment of the device variables to the four process variables Access = read	none	Display of the current variable assignment of the process variables: – Byte 0: Device variable code to the primary process variable – Byte 1: Device variable code to the second process variable – Byte 2: Device variable code to the third process variable – Byte 3: Device variable code to the fourth process variable <i>Factory setting:</i> ■ Primary process variable: Code 1 for mass flow ■ Second process variable: Code 250 for totalizer 1 ■ Third process variable: Code 3 for temperature ■ Fourth process variable: Code 2 for corrected volume flow  Note! You can set the assignment of device variables to process variables with Command 51.
51	Write assignments of the device variables to the four process variables Access = write	Setting of the device variables to the four process variables: – Byte 0: Device variable code to the primary process variable – Byte 1: Device variable code to the second process variable – Byte 2: Device variable code to the third process variable – Byte 3: Device variable code to the fourth process variable <i>Code of the supported device variables:</i> See data →  40 <i>Factory setting:</i> ■ Primary process variable = Mass flow ■ Second process variable = Totalizer 1 ■ Third process variable = Temperature ■ Fourth process variable = Corrected volume flow	The variable assignment of the process variables is displayed as a response: – Byte 0: Device variable code to the primary process variable – Byte 1: Device variable code to the second process variable – Byte 2: Device variable code to the third process variable – Byte 3: Device variable code to the fourth process variable
53	Write device variable unit Access = write	This command sets the unit of the given device variables. Only those units which suit the device variable are transferred: – Byte 0: Device variable code – Byte 1: HART unit code <i>Code of the supported device variables:</i> See data →  40  Note! ■ If the written unit is not the correct one for the device variable, the measuring device will continue with the last valid unit. ■ If you change the unit of the device variable, this has no impact on the system units.	The current unit of the device variables is displayed in the measuring device as a response: – Byte 0: Device variable code – Byte 1: HART unit code  Note! Manufacturer-specific units are represented using the HART unit code "240".
59	Write number of preambles in response message Access = write	This parameter sets the number of preambles which are inserted in the response messages: Byte 0: Number of preambles (2 to 20)	As a response, the current number of the preambles is displayed in the response message: Byte 0: Number of preambles

6.4.5 Device status / Error messages

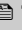
You can read the extended device status, in this case, current error messages, via Command "48". The command delivers information which are partly coded in bits (see table below).




Note!

You can find a detailed explanation of the device status or error messages and their elimination in the "System error messages" section. → 71

Byte-bit	Error No.	Short error description → 71
0-0	001	Serious device error
0-1	011	Measuring amplifier has faulty EEPROM
0-2	012	Error when accessing data of the measuring amplifier EEPROM
0-3	not assigned	–
0-4	014	Amplifier: Defective ROM/RAM
0-5	031	HistoROM/S-DAT: Defective or missing
0-6	032	HistoROM/S-DAT: Error accessing saved values
0-7	not assigned	–
1-0	not assigned	–
1-1	035	Sensor: Defective ROM/RAM
1-2	036	Sensor: Defective ROM/RAM
1-3	not assigned	–
1-4	042	HistoROM/T-DAT: Error accessing saved values
1-5	051	I/O board and the amplifier board are not compatible
1-6	not assigned	–
1-7	not assigned	–
2-0	not assigned	–
2-1	070	Flow sensors are likely to be defect, measurement is no longer possible
2-2	not assigned	–
2-3	not assigned	–
2-4	111	Totalizer checksum error
2-5	not assigned	–
2-6	not assigned	–
2-7	not assigned	–
3-0	not assigned	–
3-1	not assigned	–
3-2	not assigned	–
3-3	not assigned	–
3-4	251	Internal communication fault on the amplifier board
3-5	261	No data reception between amplifier and I/O board
3-6	not assigned	–
3-7	351	Current output: Flow is out of range
4-0	352	
4-1	not assigned	–
4-2	not assigned	–
4-3	355	Frequency output: Flow is out of range
4-4	356	

Byte-bit	Error No.	Short error description →  71
4-5	not assigned	–
4-6	not assigned	–
4-7	359	Pulse output: Pulse output frequency is out of range
5-0	360	
5-1	not assigned	–
5-2	not assigned	–
5-3	363	Current input: The actual value for the current input is outside the set range
5-4	not assigned	–
5-5	not assigned	–
5-6	not assigned	–
5-7	not assigned	–
6-0	372	The measured sensor differential temperature is below limit value
6-1	not assigned	–
6-2	not assigned	–
6-3	not assigned	–
6-4	not assigned	–
6-5	not assigned	–
6-6	not assigned	–
6-7	381	The minimum fluid temperature limit for the transducer has been undershot
7-0	382	The maximum fluid temperature limit for the transducer has been exceeded
7-1	422	The flow has exceeded the maximum measuring limit
7-2	not assigned	–
7-3	not assigned	–
7-4	not assigned	–
7-5	not assigned	–
7-6	not assigned	–
7-7	451	The saved zero point is inaccurate possibly due to unstable process or flow conditions
8-0	501	New amplifier or communication (I/O module) software version is being loaded. Currently no other functions are possible
8-1	502	Up- or downloading the device data via configuration program. Currently no other functions are possible
8-2	561	Zero point adjustment function is active
8-3	601	Positive zero return active
8-4	611	Simulation current output active
8-5	612	Simulation current output active
8-6	not assigned	–
8-7	not assigned	–
9-0	621	Simulation frequency output active
9-1	622	Simulation frequency output active
9-2	not assigned	–
9-3	not assigned	–
9-4	631	Simulation pulse output active
9-5	632	Simulation pulse output active

Byte-bit	Error No.	Short error description →  71
9-6	not assigned	–
9-7	not assigned	–
10-0	641	Simulation status output active
10-1	642	Simulation status output active
10-2	not assigned	–
10-3	not assigned	–
10-4	651	Simulation relay output active
10-5	652	Simulation relay output active
10-6	not assigned	–
10-7	not assigned	–
11-0	661	Simulation current input active
11-1	not assigned	–
11-2	not assigned	–
11-3	not assigned	–
11-4	671	Simulation status input active
11-5	672	Simulation status input active
11-6	not assigned	–
11-7	not assigned	–
12-0	691	Simulation of response to error (outputs) active
12-1	692	Simulation of measuring variables (e.g. mass flow)
12-2	698	The measuring device is being checked on-site via the test and simulation device (FieldCheck)
12-3	not assigned	–
12-4	not assigned	–
12-5	not assigned	–
12-6	not assigned	–
12-7	not assigned	–

6.4.6 Switching HART write protection on and off

A jumper on the I/O board provides the means of switching HART write protection on or off.



Note!

Write protection is not available for the fixed I/O boards → 30.



Warning!

Risk of electric shock. Exposed components carry dangerous voltages. Switch off the power supply before you remove the cover of the electronics compartment.

1. Switch off the power supply.
2. Remove the I/O board → 80.
3. Switch HART write protection on or off, as applicable, by means of the jumper (→ 30).
4. Installation of the I/O board is the reverse of the removal procedure.

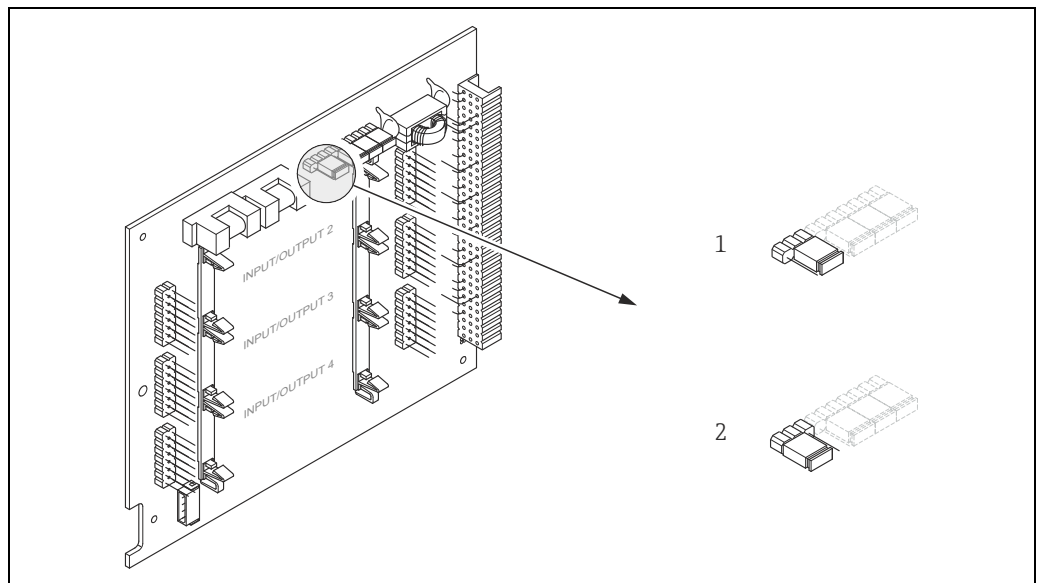


Fig. 30: Switching HART write protection on and off

- 1 Write protection OFF (default), that is: HART protocol unlocked
- 2 Write protection ON, that is: HART protocol locked

7 Commissioning

7.1 Function check

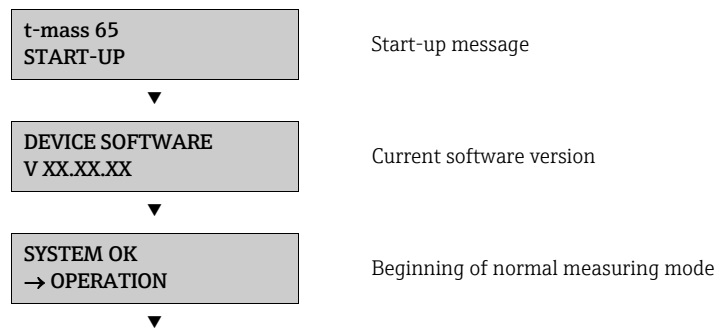
Perform all the final checks before putting the measuring point into operation:

- Checklist for "Post-installation check" →  27
- Checklist for "Post-connection check" →  34

7.2 Switching on the measuring device

Only switch on the supply voltage once all the final checks have been performed. The measuring device is now operational.

The measuring device performs a number of power on self-tests. As this procedure progresses the following sequence of messages appears on the local display:



Normal measuring mode commences as soon as start-up completes.

Various measured values and/or status variables appear on the display (HOME position).



Note!

If start-up fails, an error message indicating the cause is displayed.

7.3 Quick Setup

All important device parameters for standard operation can be configured quickly and easily by means of the Quick Setup menu, especially for devices that have been delivered with factory default settings.



Note!

If the measuring device has been ordered with customer-specific settings then the Quick Setup is not necessary. Check that the parameterization protocol on the CD delivered with the device matches your required data.

7.3.1 Quick Setup "Commissioning"

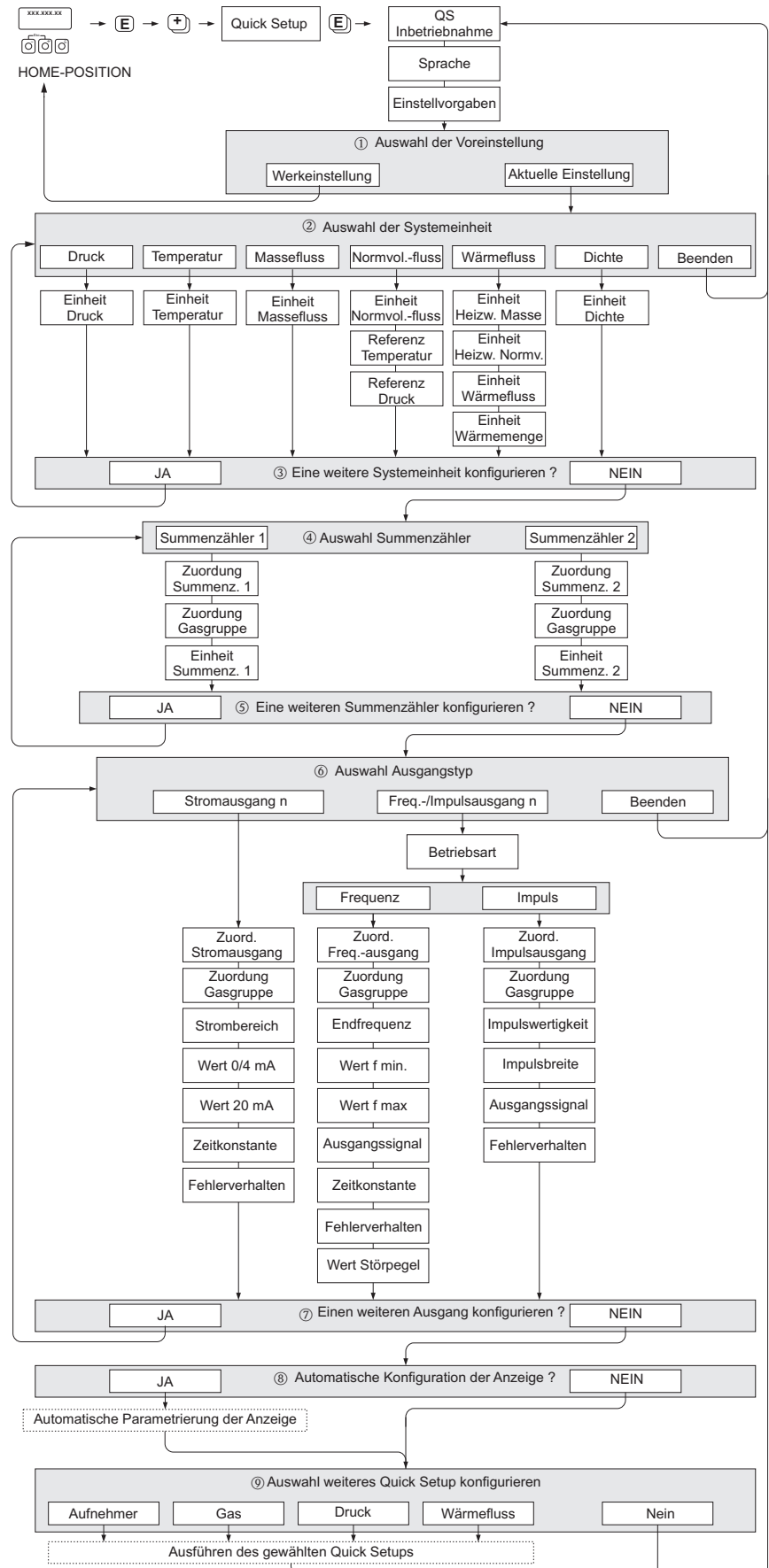


Fig. 31: QUICK SETUP COMMISSIONING- menu for straightforward configuration of the major device functions

A0005093-en

**Note!**

The display returns to the SETUP COMMISSIONING cell if you press the $\left[\begin{smallmatrix} \uparrow \\ \downarrow \end{smallmatrix} \right]$ key combination during parameter interrogation. The configuration settings already made remain valid, however.

QUICK SETUP - COMMISSION

Press the $\left[\begin{smallmatrix} + \\ - \end{smallmatrix} \right]$ key at the prompt "QS-COMMISSION NO" and the device access code entry appears. Enter the device access code "65" and press $\left[\begin{smallmatrix} \uparrow \\ \downarrow \end{smallmatrix} \right]$; programming is enabled. The prompt "QS-COMMISSION NO" appears. Use the $\left[\begin{smallmatrix} + \\ - \end{smallmatrix} \right]$ or $\left[\begin{smallmatrix} \uparrow \\ \downarrow \end{smallmatrix} \right]$ key to change NO to YES and press $\left[\begin{smallmatrix} \uparrow \\ \downarrow \end{smallmatrix} \right]$.

LANGUAGE

Use the $\left[\begin{smallmatrix} + \\ - \end{smallmatrix} \right]$ or $\left[\begin{smallmatrix} \uparrow \\ \downarrow \end{smallmatrix} \right]$ key to select the required language and continue with $\left[\begin{smallmatrix} \uparrow \\ \downarrow \end{smallmatrix} \right]$.

PRE-SETTING.

- ① Select ACTUAL SETTINGS to continue programming the measuring device and go to the next level or select DELIVERY SETTINGS to reset the measuring device. The measuring device restarts and returns to the Home position.
 - ACTUAL SETTINGS are the parameters currently programmed in the measuring device
 - DELIVERY SETTINGS are the programmed parameters (factory settings plus customer-specific settings) originally delivered with the measuring device

SYSTEM UNITS.

Select required system unit function and carry out parameterization or select QUIT to return to the QUICK SETUP function if no further programming is required.

- ② Only units not yet configured in the current setup are available for selection in each cycle.
- ③ The YES option remains visible until all the units have been configured.
NO is the only option displayed when no further units are available.

SELECTION TOTALIZER.

- ④ Select a totalizer and assign a flow variable, gas group and unit.
- ⑤ Select a second totalizer or select "NO" to exit.

SELECTION OUTPUT.

Select output type and parameterize available options or select QUIT to return to QUICK SETUP function.

**Note!**

With the function ASSIGN GAS GROUP, the measured value from each GAS GROUP can be assigned to an individual output or, alternatively, both gas groups can be assigned to one current output using the selection GAS GROUP 1 & 2.

- ⑥ Only the outputs not yet configured in the current setup are offered for selection in each cycle.
- ⑦ The YES option remains visible until all the outputs have been parameterized.
NO is the only option displayed when no further outputs are available.

Automatic configuration of the display

- ⑧ The "automatic parameterization of the display" option contains the following basic settings/factory settings:
 - YES: main line = MASS FLOW, additional line = TOTALIZER 1
 - NO: The existing (selected) settings remain.

Carry out another Quick Setup?

- ⑨ Select additional Quick Setups to complete commissioning or select NO to exit.

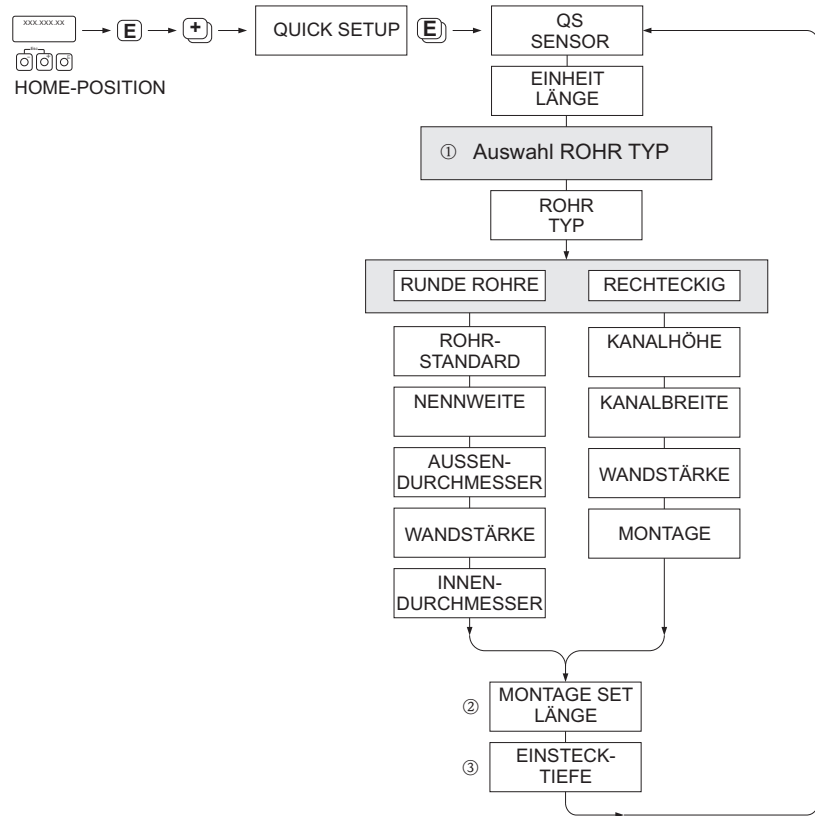
7.3.2 Quick Setup "Sensor"

It is essential that the insertion sensor is setup according to the actual pipe or duct and then installed at the calculated insertion depth. This Quick Setup guides the user systematically through the procedure to setup the sensor.



Note!

The QUICK SETUP SENSOR function is not available for flanged type sensors.



A0009910-en

PIPE TYPE

① ■ CIRCULAR

- in case that the pipe is of a standard type, then parameterize functions PIPE STANDARD and NOMINAL DIAMETER
- In case that the pipe is a non-standard type, then select OTHERS in the function PIPE STANDARD and parameterize the functions WALL THICKNESS and OUTER DIAMETER.
- The function INTERNAL DIAMETER displays the calculated internal diameter and is read only.

■ RECTANGULAR

- Enter the INTERNAL HEIGHT, INTERNAL WIDTH and WALL THICKNESS of the duct
- Select the MOUNTING orientation of the sensor: HORIZONTAL or VERTICAL

MOUNTING SET LENGTH

- ② Enter the measured length of the mounting set (including the compression fitting) → 19.

INSERTION DEPTH

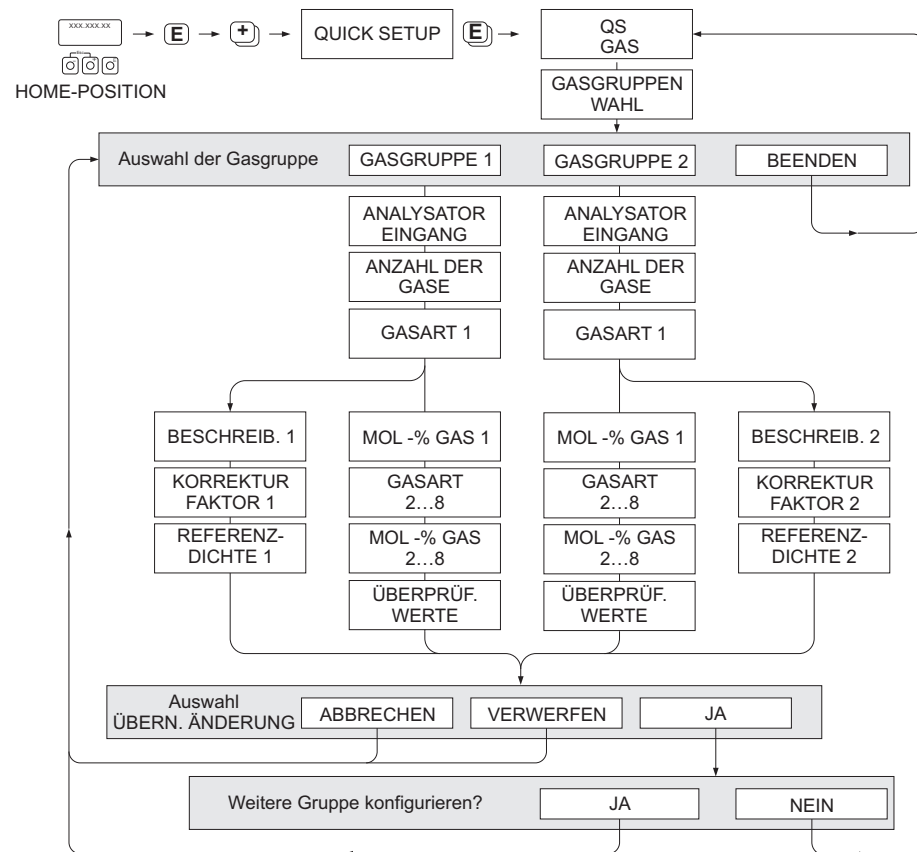
- ③ This function calculates the insertion depth value for the mounting of the sensor → 19.

Press **E** to save settings and return to QUICK SETUP SENSOR group.

7.3.3 "Gas" Quick Setup menu

The device can be setup with 1 or 2 individual gas groups in memory. This means that up to 2 different gas flow streams (e.g. nitrogen and argon) can be measured in a single pipe with one flowmeter.

In the case of 2 gas groups being used, a digital input can be assigned to switch between the gas groups or, alternatively, the switch can be done manually via a function in the device software. Furthermore, a programmed gas mixture can be dynamically updated, via a signal from a gas analyzer.



A0009907-en

Programming a gas group

The measuring device allows flexible change of the gas group parameters, independent of the original factory setup and calibration.

A gas group can be programmed as:

- one single gas or
- one gas mixture (of up to 8 components)

A single gas can be:

- selected from a list of standard gases or
- setup for other suitable types of gases, such as Ozone, using manual correction factors and the option called SPECIAL GAS. This requires application evaluation at the factory - In this case, please contact your Endress+Hauser sales center for clarification.

Setting or viewing the active gas group

The active measuring group can be set via 2 methods:

1. Digital input: the status input can be configured to switch between the two groups. Select option GAS GROUP (see "Description of Device Functions" manual BA00112D/06/...).
2. Manual switch: go to the function SELECT GROUP and simply select 1 or 2 and then exit using ESC (+/- keys simultaneously). No save function is necessary.



Note!

The Quick Setup Gas function is not available if an in-situ calibration function has been performed on the measuring device as the in-situ calibration curve refers to the sensor power at each recorded flow point.

Therefore, the programmed gas settings become redundant → 68.

Performing the Quick Setup

1. GAS GROUP
 - Use the or key to select the required GAS GROUP and continue with .
 - Set the ANALYZER INPUT to ON if a gas compensation input is being used → 60
 - Select the NUMBER OF GASES in the group from 1 to 8.
 - Select the GAS TYPE from the choose list.
 - Enter the MOLE % for each GAS TYPE (only if NUMBER OF GASES is 2 and more).
 - The error message CHECK VALUES appears if the total mixture % does not equal 100%. Go back and check the mixture settings.
2. SAVE CHANGES?
 - Select YES to save the settings in GAS GROUP 1 or 2 and activate the last gas group selected. Press to continue or
 - Select CANCEL to save the entered settings in buffer memory but not activate them for measurement. If this function is selected, then it will be necessary to come back to this gas group and save it at a later stage.
 - Select DISCARD to clear the last changes and return to CONFIGURE GROUP to make new settings.
3. ANOTHER GAS GROUP?
 - Select YES to continue to the CONFIGURE GROUP function. Use the or key to select the desired GAS GROUP and proceed as per the above instructions.
 - Select NO to exit to the Quick Setup.

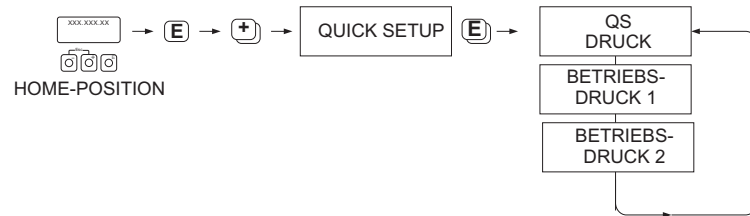


Note!

More detailed information on the GAS GROUP programming can be found in the separate "Description of Device Functions" manual (BA112D/06/... see chapter GAS).

7.3.4 "Pressure" Quick Setup menu

The individual process pressure for every gas group can be programmed with this Quick Setup. If only one gas group is being used, then only the function PROCESS PRESSURE 1 needs to be programmed, PROCESS PRESSURE 2 can remain with default settings.



A0009908-en



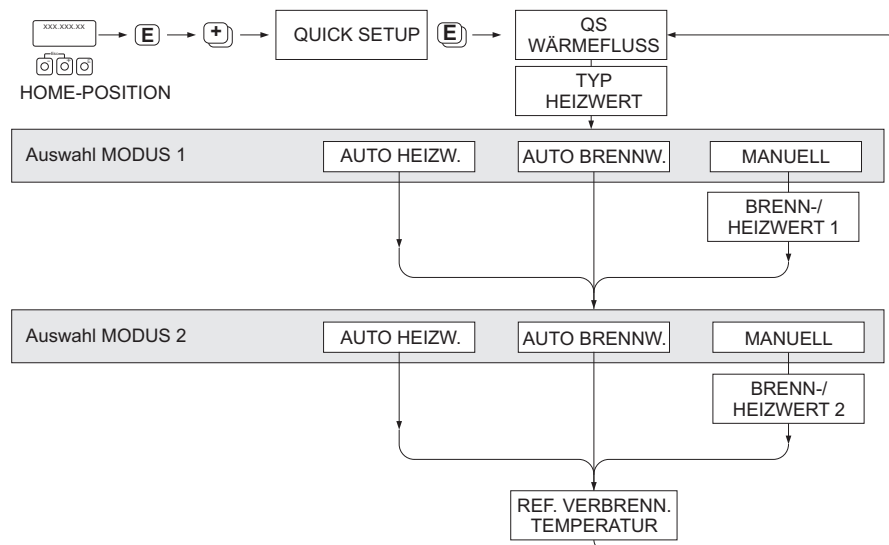
Note!

- The measuring device operates with absolute pressure only. All gauge pressure must be converted to absolute pressure.
- If a pressure compensating input is being used, then the input signal value overrides the manually programmed value. The pressure input value applies to both gas groups. i.e. 2 independent pressure values are no longer possible.
- The Quick Setup Gas function is not available if an in-situ calibration function has been performed on the measuring device as the in-situ calibration curve refers to the sensor power at each recorded flow point. Therefore, the programmed pressure settings become redundant → 68.

7.3.5 "Heat Flow" Quick Setup menu

The measuring device can calculate and output the heat of combustion of common fuel gases such as methane, natural gas, propane, butane, ethane and hydrogen.

This Quick Setup menu can be used to program the method to calculate the net calorific value or gross calorific value. The measuring device can be configured to give two independent heating value outputs and totalized values. For example, the pipeline has either natural gas or propane running at separate times and the heating value is required for both gases.



A0009909-en

Calculation mode 1 and 2

- The heating value for CALCULATION MODE 1 corresponds to the settings in the function GAS GROUP 1.

- The heating value for CALCULATION MODE 2 corresponds to the settings in the function GAS GROUP 2.



Note!

- If only one gas group is used, then leave mode 2 as default settings.
- The units of measure are selected in the system units section → 51.

Auto Gross

The gross heating value (or higher heating value) is the total heat obtained by complete combustion at constant pressure of a volume of gas in air, including the heat released by the water vapor in the combustion products (gas, air and combustion products taken at reference combustion temperature and standard pressure).

Auto Net

The net heating value (or lower heating value) is determined by subtracting the heat of vaporization of the water vapor from the higher heating value. This treats any water formed as water vapor. The energy required to vaporize the water therefore is not realized as heat.

Manual

This function allows entry of a user-specific heating value if the required value is different from the value in the following table.

Gas	Formula	Net/lower heating value		Gross/upper heating value	
		[Mj/kg]	MBtu/lb	[Mj/kg]	MBtu/lb
Hydrogen	H ₂	119.91	51.56	141.78	60.97
Ammonia	NH ₃	18.59	7.99	22.48	9.67
Carbon Monoxide	CO	10.1	4.34	10.1	4.34
Hydrogen Sulphide	H ₂ S	15.2	6.54	19.49	8.38
Methane	CH ₄	50.02	21.51	55.52	23.87
Ethane	C ₂ H ₆	47.5	20.43	51.93	22.33
Propane	C ₃ H ₈	46.32	19.92	50.32	21.64
Butane	C ₄ H ₁₀	45.71	19.66	49.51	21.29
Ethylene	C ₂ H ₄	47.16	20.28	50.31	21.63

* According to ISO Standard 6976:1995(E) and GPA Standard 2172-96

Reference combustion temperature

The following reference temperatures are used:

Country	reference combustion temperature
Austria, Belgium, Denmark, Germany, Italy, Luxembourg, The Netherlands, Poland, Russia, Sweden, Switzerland	25 °C
Brazil, China	20 °C
France, Japan	0 °C
Australia, Canada, Czech Republic, Hungary, India, Ireland, Malaysia, Mexico, South Africa, Great Britain	15 °C
Slovakia	25 °C
USA, Venezuela	60 °F

7.3.6 Data backup/transmission

Using the T-DAT SAVE/LOAD function, you can transfer data (device parameters and settings) between the T-DAT (exchangeable memory) and the EEPROM (device storage unit).

This is required in the following instances:

- Creating a backup: current data are transferred from an EEPROM to the T-DAT.
- Replacing a transmitter: current data are copied from an EEPROM to the T-DAT and then transferred to the EEPROM of the new transmitter.
- Duplicating data: current data are copied from an EEPROM to the T-DAT and then transferred to EEPROMs of identical measuring points.



Note!

For information on installing and removing the T-DAT → 79

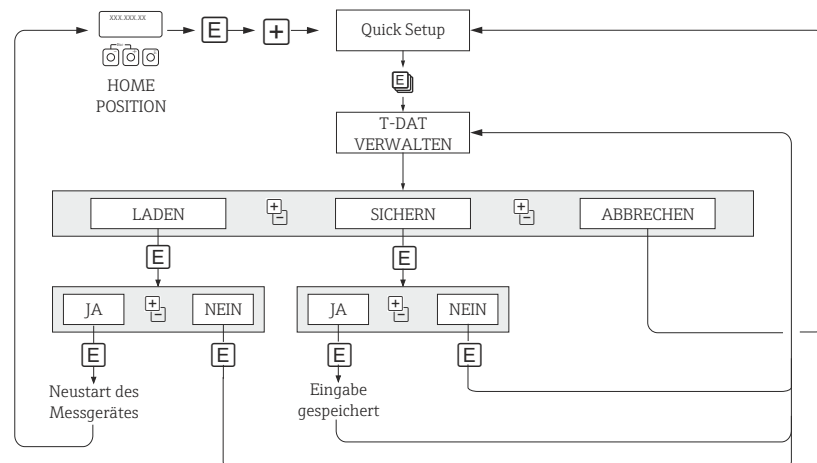


Fig. 32: Data backup/transmission with T-DAT SAVE/LOAD function

A0001221-en

Information on the LOAD and SAVE options available

LOAD:

Data are transferred from the T-DAT to the EEPROM.



Note!

- Any settings already saved on the EEPROM are deleted.
- This option is only available, if the T-DAT contains valid data.
- This option can only be executed if the software version of the T-DAT is the same or newer than that of the EEPROM. Otherwise, the error message "TRANSM. SW-DAT" appears after restarting and the LOAD function is then no longer available.

SAVE:

Data are transferred from the EEPROM to the T-DAT

7.3.7 External pressure compensation input

1. Install the pressure transmitter downstream of the flowmeter according to the pipe work requirements → 13. Use only an absolute range pressure cell.
2. Connect the signal circuit, noting the following:
 - Input signal information → 88
 - Configure the active/passive mode on the flexible I/O board → 61
 - The t-mass transmitter can power the current loop (active mode) or a separate 24 VDC power supply can be used (passive mode)
 - Refer to the terminal assignments and grounding for the current input → 29.
 - Use only a screened signal cable.
3. Turn on the power to the flowmeter and signal circuit.
4. Go to the function CURRENT INPUT → ASSIGN CURRENT INPUT in the software matrix and assign the option PRESSURE to the input. Parameterize the remaining functions as required.
5. In the function CURRENT INPUT → ACTUAL CURRENT INPUT, check whether a 4-20 mA input signal is present.



Note!

See Description of Device Functions BA00112D/06 manual for details.

7.3.8 Gas compensation input

The flowmeter can directly read the composition of the gas from the gas analyzer via a 4-20 mA output signal and automatically update the first two gas components (e.g. GAS TYPE 1 and 2) in the programmed gas mixture. This provides a more accurate measurement in case of varying compositions. For example: varying methane and carbon dioxide components in a biogas application.

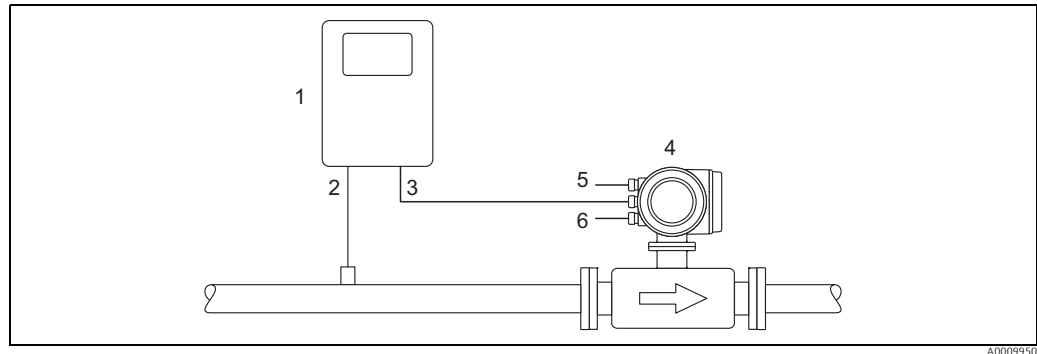


Fig. 33: Gas mixture compensation using a gas analyzer

- | | |
|---|-----------------------|
| 1 | Gas analyzer |
| 2 | Gas detector |
| 3 | Out/in 4-20 mA signal |
| 4 | t-mass |
| 5 | Power supply |
| 6 | Outputs |

1. Route the analyzer output signal for the main gas component (e.g. Methane) to the t-mass transmitter current input.
2. Connect the signal circuit, noting the following:
 - Input signal information → 88
 - Configure the active/passive mode on the flexible I/O board → 61
 - Refer to the terminal assignments and grounding for the current input → 31.
 - Use only a screened signal cable.
3. Turn on the power to the flowmeter and signal circuit.
4. Go to the function CURRENT INPUT → ASSIGN CURRENT INPUT in the software matrix and assign the option GAS ANALYZER to the input. Parameterize the remaining functions as required.
5. In the function CURRENT INPUT → ACTUAL CURRENT, check whether a 4-20 mA signal is present.
6. Check the actual % value of the main gas component being transmitted from the analyzer:
 - Go to the function MOLE % GAS 1 in the function group PROCESS PARAMETER.
 - If the value is present and updating then the system is working correctly.
 - If the value is not updating, check that the function GAS → ANALYZER INPUT is set to ON (function group GAS → 54).



Note!

See Description of Device Functions BA00112D/06 manual for details.

7.4 Configuration

7.4.1 One current output: active/passive

The current output is configured as "active" or "passive" by means of various jumpers on the I/O board.



Caution!

It is not possible to change the "active" or "passive" configuration of "Ex-i" outputs. Ex i I/O boards are permanently wired as "active" or "passive" (cf. Table → 30).



Warning!

Risk of electric shock. Exposed components carry dangerous voltages. Switch off the power supply before you remove the cover of the electronics compartment.

1. Switch off the power supply.
2. Remove the I/O board → 80
3. Set the jumpers in accordance with → 34



Caution!

Risk of destroying the measuring device. Set the jumpers exactly as shown in the diagram. Incorrectly set jumpers can cause overcurrents that would destroy either the measuring device or external devices connected to it.

4. Installation of the I/O board is the reverse of the removal procedure.

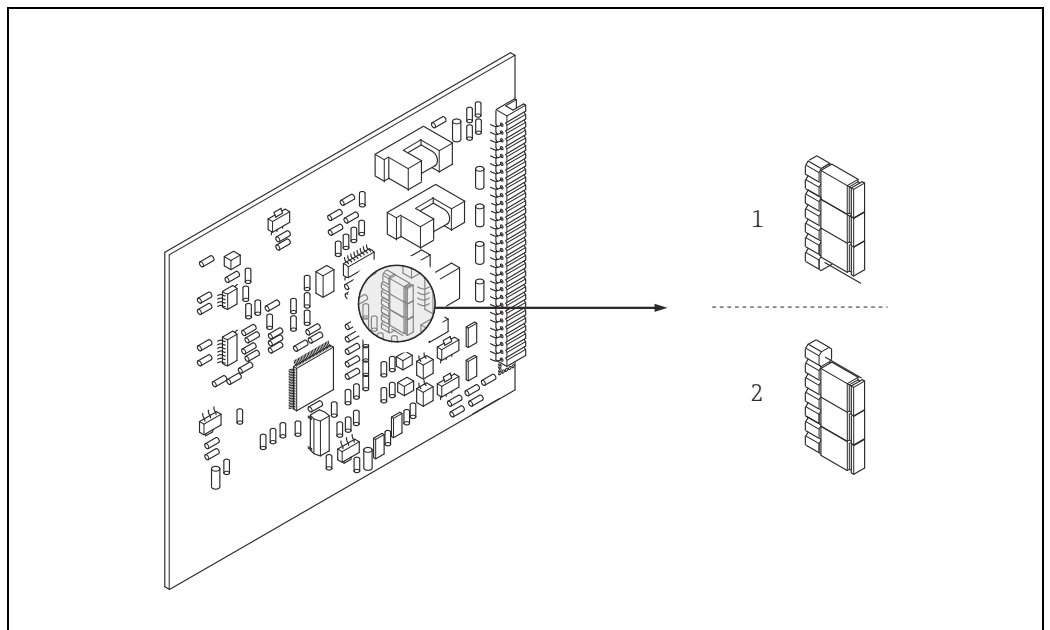


Fig. 34: Configuring the current output (fixed I/O board)

- 1 Active current output (default)
- 2 Passive current output

7.4.2 Two current outputs: active/passive

The current outputs are configured as "active" or "passive" by means of various jumpers on the I/O board or current submodule.



Caution!

It is not possible to change the "active" or "passive" configuration of "Ex-i" outputs. Ex i I/O boards are permanently wired as "active" or "passive" (cf. Table → 30).



Warning!

Risk of electric shock. Exposed components carry dangerous voltages. Switch off the power supply before you remove the cover of the electronics compartment.

1. Switch off the power supply.
2. Remove the I/O board → 80
3. Set the jumpers in accordance with → 35



Caution!

Risk of destroying the measuring device. Set the jumpers exactly as shown in the diagram. Incorrectly set jumpers can cause overcurrents that would destroy either the measuring device or external devices connected to it.

4. Installation of the I/O board is the reverse of the removal procedure.

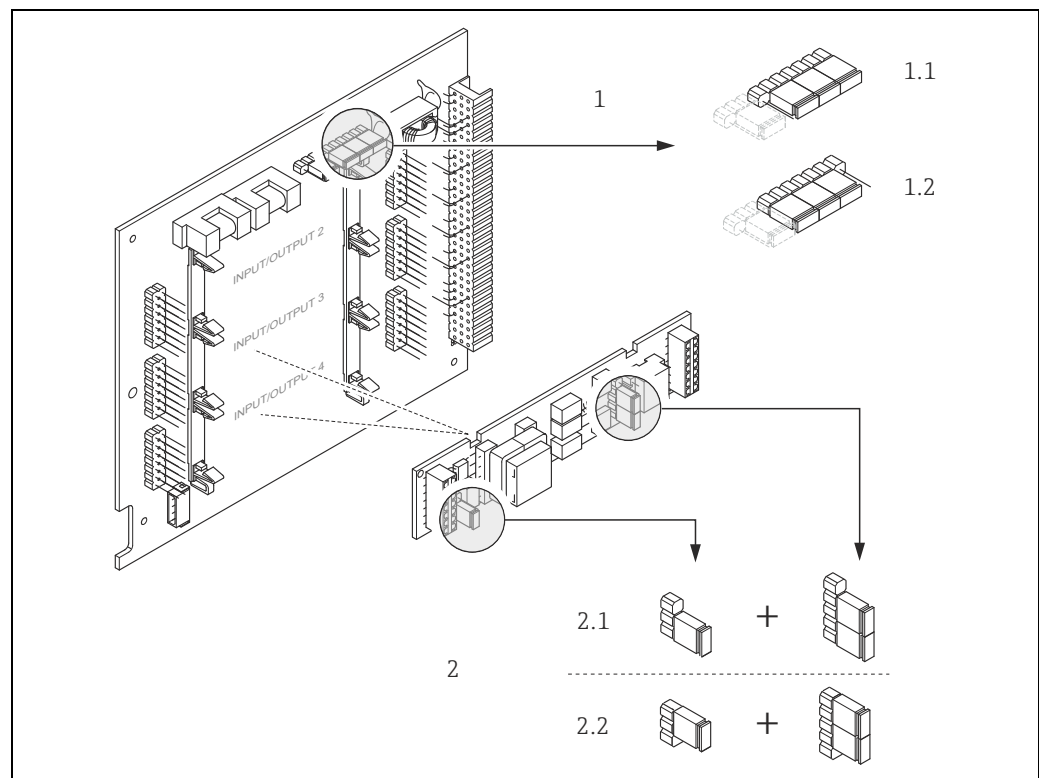


Fig. 35: Configuring current outputs with the aid of jumpers (flexible I/O board)

- 1 Current output 1 with HART
- 1.1 Active current output (default)
- 1.2 Passive current output
- 2 Current output 2 (optional, plug-in module)
- 2.1 Active current output (default)
- 2.2 Passive current output

7.4.3 Current input: active/passive

The current inputs are configured as "active" or "passive" by means of various jumpers on the current input submodule.



Warning!

Risk of electric shock. Exposed components carry dangerous voltages. Switch off the power supply before you remove the cover of the electronics compartment.

1. Switch off the power supply.
2. Remove the I/O board → 80
3. Set the jumpers in accordance with → 36



Caution!

- Risk of destroying the measuring device. Set the jumpers exactly as shown in the diagram. Incorrectly set jumpers can cause overcurrents that would destroy either the measuring device or external devices connected to it.
 - Note that the position of the current submodule on the I/O board can vary, depending on the version ordered, and that the terminal assignment in the connection compartment of the transmitter varies accordingly → 30.
4. Installation of the I/O board is the reverse of the removal procedure.

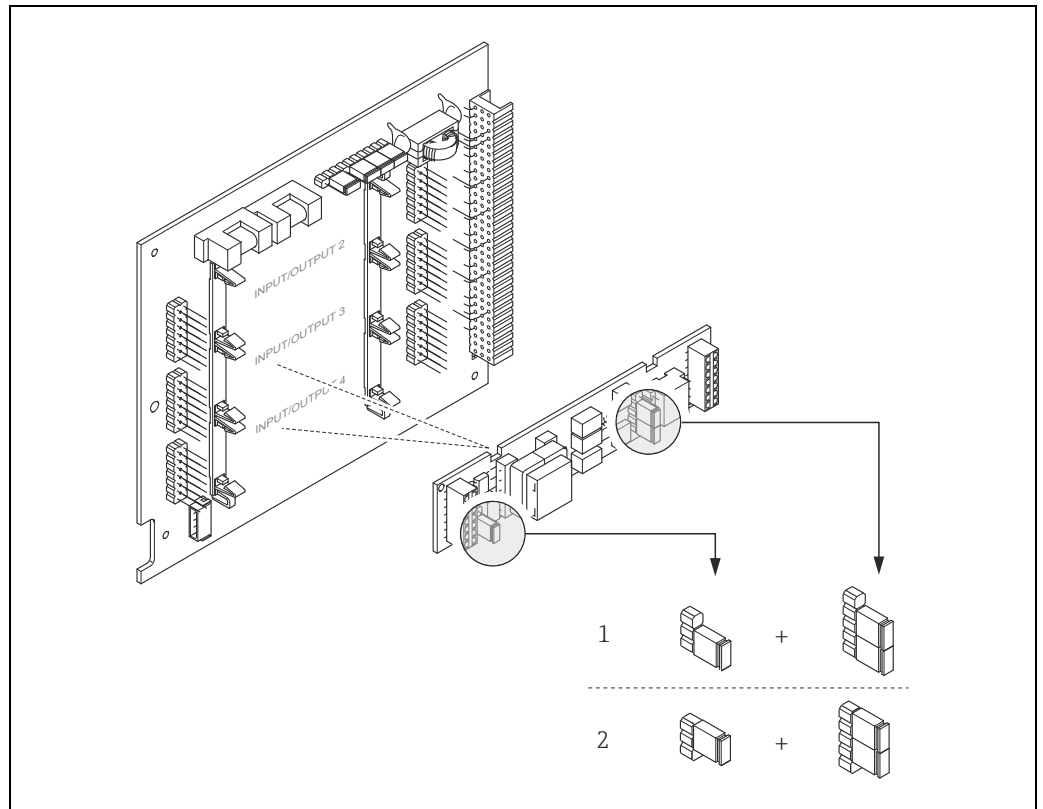


Fig. 36: Configuring current inputs with the aid of jumpers (flexible I/O board)

Current input 1 (optional, plug-in module)

- 1 Active current input (default)
- 2 Passive current input

7.4.4 Relay contacts: Normally closed/Normally open

The relay contact can be configured as normally open (NO or make) or normally closed (NC or break) contacts by means of two jumpers on the I/O board or on the pluggable submodule. This configuration can be called up at any time with the ACTUAL STATUS RELAY function.



Warning!

Risk of electric shock. Exposed components carry dangerous voltages. Switch off the power supply before you remove the cover of the electronics compartment.

1. Switch off the power supply.
2. Remove the I/O board → 80
3. Set the jumpers → 37 or → 38



Caution!

- If you change the setting you must always change the positions of **both** jumpers!
Note precisely the specified positions of the jumpers.
- Note that the position of the relay submodule on the I/O board can vary, depending on the version ordered, and that the terminal assignment in the connection compartment of the transmitter varies accordingly → 30.

4. Installation of the I/O board is the reverse of the removal procedure.

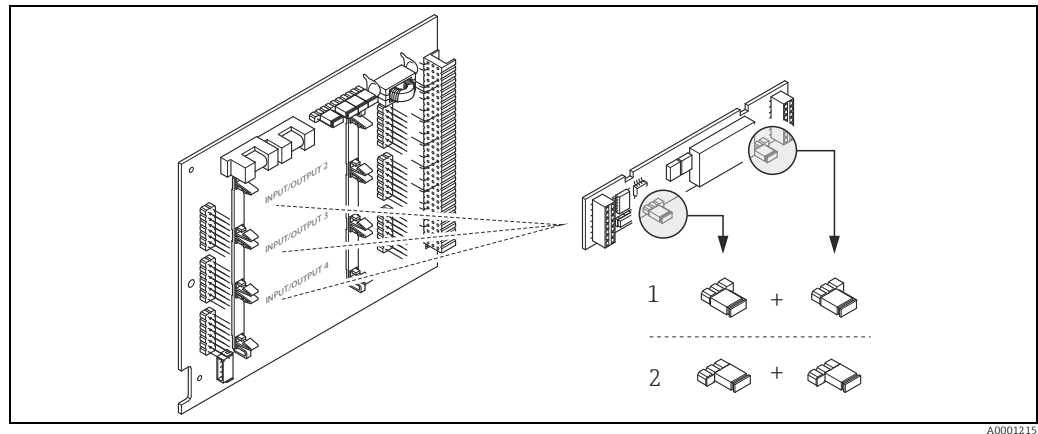


Fig. 37: Configuring relay contacts (NC / NO) on the flexible I/O board (submodule)

- 1 Configured as NO contact (default, relay 1)
- 2 Configured as NC contact (default, relay 2, if installed)

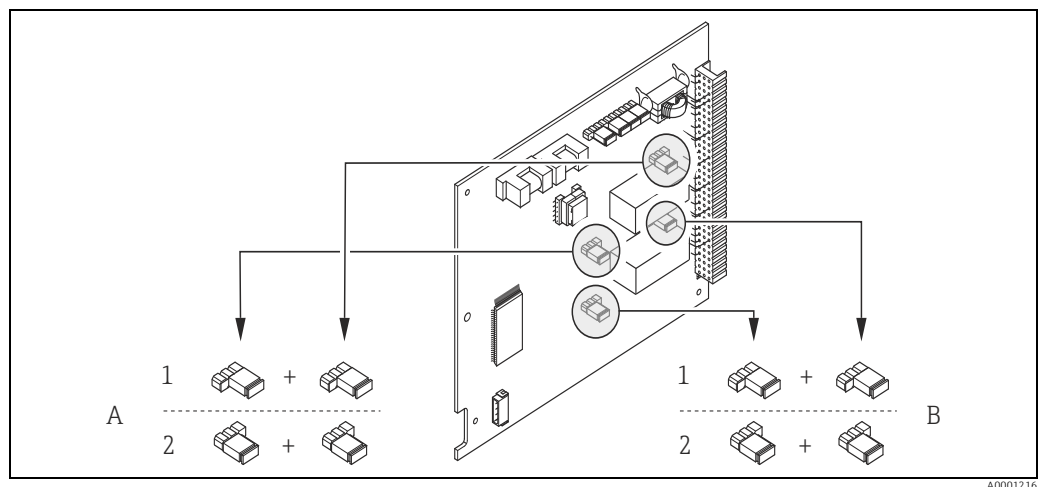


Fig. 38: Configuring relay contacts (NC / NO) on the fixed I/O board.
A = relay 1; B = relay 2

- 1 Configured as NO contact (default, relay 1)
- 2 Configured as NC contact (default, relay 2)

7.5 Adjustment

7.5.1 Zero point adjustment

Calibration takes place under reference operating conditions (→ 90).

Consequently, the zero point adjustment is generally **not** necessary!

At zero flow conditions, the output of most thermal mass flow devices has a strong dependency on the process pressure. The effect on the true zero point of the device, by the static line pressure, is dependant on the gas type and the application demands and in many cases the use of the low flow cut-off function is adequate to zero the device output.

With some gases and/or a combination of high pressures, zero point adjustment must be performed under process conditions so that the measuring device can measure smaller values.

Therefore, the zero point adjustment is advisable in the following special cases:

- To achieve highest measuring accuracy with very small flow rates.
- Under process or operating conditions where the gas properties (heat capacity and thermal conductivity) will change e.g. Hydrogen and Helium.

Preconditions for a zero point adjustment

Note the following before you perform a zero point adjustment:

- A zero point adjustment can be performed only with gases that contain no solid contents or condensate.
- The adjustment is performed with the process gas at zero flow and at operating pressure. This can be achieved, for example, with shutoff valves upstream and/or downstream of the sensor or by using existing valves and gates.
 - Normal operation → valves 1 and 2 open
 - Zero point adjustment *with* pump pressure → Valve 1 open / valve 2 closed
 - Zero point adjustment *without* pump pressure → Valve 1 closed / valve 2 open

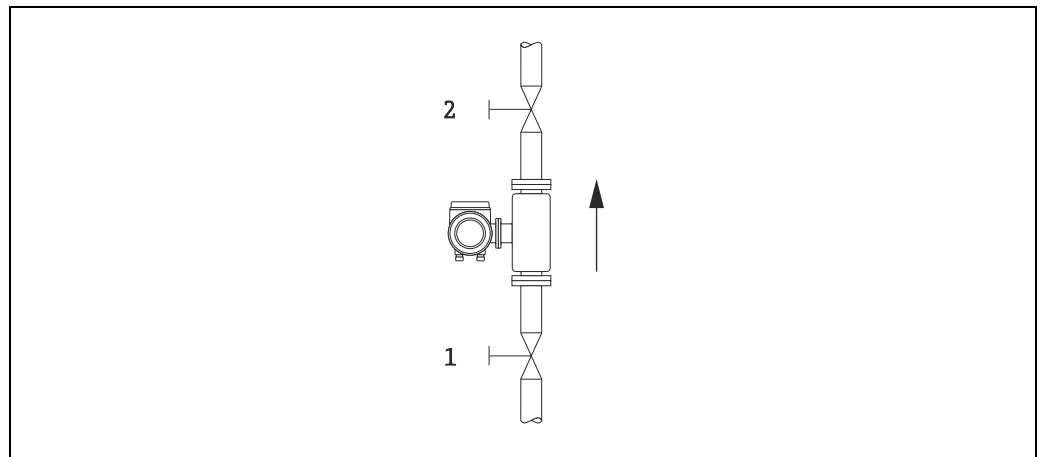


Fig. 39: Zero point adjustment and shut-off valves



Caution!

You can view the currently valid zero point value using the ZERO POINT function in the SENSOR DATA group (see the "Description of Device Functions" manual, BA00112D/06/...).

Performing a zero point adjustment

1. Operate the system until operating conditions have settled.
2. Stop the flow ($v = 0$ m/s).
3. Check the shut-off valves for leaks.
4. Check that operating pressure is correct.
5. Using the local display/operating program, select the ZEROPOINT ADJUSTMENT function in the function matrix:
PROCESS PARAMETER → ZEROPOINT ADJUSTMENT
6. When you press \leftarrow or \rightarrow you are automatically prompted to enter the access code if the function matrix is still disabled. Enter the code (factory setting = 65).
7. Use \leftarrow or \rightarrow to select START and press [E] to confirm. The zero point adjustment now starts and is completed within a few seconds.



Note!

If the flow in the pipe is unstable, the following error message may appear on the display "ZERO ADJUST FAIL". The zero point adjustment has failed. The preconditions need to be stabilized before attempting a new adjustment.

8. Back to the HOME position:
 - Press and hold down Esc key ([Esc]) for longer than three seconds or
 - Repeatedly press and release the Esc key ([Esc]).

Resetting a zero point adjustment

The currently stored zero point can be reset to the original factory value by using the RESET option within ZERO POINT ADJUST.

Use \leftarrow or \rightarrow to select RESET and press [E] to confirm. The zero point adjustment is now reset.

7.6 Data storage device (HistoROM)

At Endress+Hauser, the term HistoROM refers to various types of data storage modules on which process and measuring device data are stored. By plugging and unplugging such modules, device configurations can be duplicated onto other measuring devices to cite just one example.

7.6.1 HistoROM/S-DAT (sensor-DAT)

The S-DAT is an exchangeable data storage device in which all sensor-relevant parameters are stored, e.g. pipe type, nominal diameter, serial number, flow conditioner, zero point.

7.6.2 HistoROM/T-DAT (transmitter-DAT)

The HistoROM/T-DAT is an exchangeable data storage device in which all transmitter parameters and settings are stored.


Storing of specific parameter settings from the EEPROM to the HistoROM/T-DAT and vice versa has to be carried out by the user (= manual save function). For detailed information → 58.

8 Maintenance

Generally, the flowmeter requires no special maintenance work, particularly if the gas is clean and dry.



Warning!

Hazardous area approvals may demand that the device be returned to an Endress+Hauser sales center (→  6) for service or that work can only be carried out by a qualified Endress+Hauser service person. Please contact your Endress+Hauser sales center if you have any questions.

8.1 External cleaning

When cleaning the exterior of measuring devices, always use cleaning agents that do not attack the surface of the housing and the seals.

8.2 Pipe cleaning

The sensor is capable of withstanding clean in place (CIP) processes using heated liquids or steam (SIP), within the maximum specified temperature limits. However the sensor measurement will be adversely affected during the cleaning cycle and a settling down period will be required after the cycle to allow the process and sensor temperatures to re-stabilize.



Note!

The POSITIVE ZERO RETURN function maybe activated to set the current output to zero flow during such cycles. See "Description of Device Functions" manual for more information.



Caution!

Do not use a pipe cleaning pig.

8.3 Sensor cleaning

For gases that do carry impurities, it is recommended that the sensor be routinely inspected and cleaned to minimize any potential measuring errors due to contamination or build-ups. The frequency of inspection and cleaning will depend upon the application and expected measurement performance.

Cleaning is performed by applying a non-filming or oil-free type cleaning fluid to a soft brush or cloth and gently wiping over the surface until all build-ups and contaminants are removed.



Caution!

- Use care not to bend the sensing elements of the transducer during cleaning.
- Do not use abrasive materials or fluids corrosive to the sensor materials and seals.

Sensor-specific information:

- t-mass F:

Removal of the transducer requires specialist knowledge, tools and parts. The process seal also may need to be tested and re-qualified. This procedure must be carried out by an Endress+Hauser sales center.

- t-mass I:

Follow the safety instructions in the "Installation" section when removing the sensor (→  19).


8.4 Replacing seals

Under normal circumstances, fluid wetted seals of the sensor do not require replacement. Replacement is necessary only in special circumstances, for example if aggressive or corrosive fluids are incompatible with the seal material.

Only Endress+Hauser seals may be used.

Sensor-specific information:

- t-mass F:

The sensor contains o-rings seals and a bushing. In case of failure, the device must be returned to an Endress+Hauser sales center for inspection and repair (→  6).

- t-mass I:

The transducer is welded to the insertion tube and has no exchangeable seals. The compression fitting contains wetted seals (ferrules) and a bonded seal is used on the G 1 A thread version.



Caution!

Do not reuse seals once they have been removed.

Only Endress+Hauser spare parts may be used. The compression fitting and the bonded seal are available as spare parts. The bonded seal can be easily exchanged on-site.

8.5 In-situ calibration

The t-mass flowmeters are designed to support in-situ calibration using a reference meter signal, thus saving time and cost by reducing the need for factory re-calibration.

Pre-requirements for in-situ calibration with adjustment:

1. Stable gas composition (operation with one gas group only; without gas analyzer input)
2. Stable pressure and temperature (without pressure compensation input)
3. Mass flow reference
 - a. mass flow reference meter, mounted in the measurement or bypass pipe, providing a mA signal to t-mass or
 - b. manual entry of known mass flow reference values. For example, the display value from the reference meter or a derived value from a pump curve)
4. Ability to control the flow range over a minimum of 5 control points

This function can only be activated with a special Endress+Hauser service code.

For specific applications, contact your Endress+Hauser sales center.

8.6 Recalibration

For thermal meters, the interval between calibrations is dependent on the application since calibration drift is predominantly caused by contamination of the sensor surface.

If the gas is not clean (i.e. contains particulates), then gentle cleaning of the sensor elements can be effective at regular intervals. The cleaning interval will depend upon the nature and extent of the contamination.

Determination of recalibration intervals:

- If the measurement is critical, then a calibration audit should be undertaken by performing recalibration checks once per year for a period of 2 years. Increase that period to twice per year if the application gas is not clean and dry.
Depending on the results of the audit, the next recalibration check interval can be increased or decreased accordingly.
- For non-critical applications and or where the gas is clean and dry, a recalibration interval of every 2 to 3 years is recommended.

9 Accessories

Various accessories, which can be ordered separately from Endress+Hauser, are available for the transmitter and the sensor. Your Endress +Hauser sales center can provide detailed information on the specific order code.

9.1 Device-specific accessories

Accessories	Description	Order code
Mounting boss	Mounting boss for the t-mass insertion version	DK6MB - *
Cable remote version	Connecting cable for the remote version	DK6CA - *
Mounting set for transmitter	Mounting set for remote version. Suitable for: <ul style="list-style-type: none"> - Wall mounting - Pipe mounting - Installation in control panel Mounting set for aluminum field housing: Suitable for pipe mounting (¾" to 3")	DK6WM - *
Hot tap, process pressure	Low-pressure version: Mounting kit with process connection, ball valve, safety chain and sensor connection. Insertion or extraction of sensor under process pressure (max. 4 barg (65 psig)).	DK6HT-***
	Medium-pressure version: Mounting kit with process connection, ball valve, sensor connection and extractor assembly. Insertion or extraction of sensor under process pressure (max. 16 barg (235 psig)).	
Cold tap, atmospheric pressure	Mounting kit with sensor connection, ball valve and weld socket. Insertion or extraction of sensor in unpressurized pipes (atmospheric pressure). In the absence of a measuring device, the mounting kit enables pipe resealing in order to resume the process.	DK6ML-***
Flow conditioner	<ul style="list-style-type: none"> ■ t-mass F: DN25 to 100 (1 to 4") ■ t-mass I: DN 80 to 300 (3 to 12") 	DK6ST-*** DK7ST-***
Graphic data manager Memograph M	The graphic data manager Memograph M provides information on all the relevant process variables. Measured values are recorded correctly, limit values are monitored and measuring points analyzed. The data are stored in the 256 MB internal memory and also on an SD card or USB stick. The mathematics channels which are optionally available facilitate continuous monitoring, e.g. of specific energy consumption, boiler efficiency and other parameters which are necessary for efficient energy management.	RSG40 - *****

9.2 Communication-specific accessories

Accessory	Description	Order code
HART Communicator Field Xpert SFX 100	Handheld terminal for remote configuration and for obtaining measured values via the 4 to 20 mA HART current output. Further information is available from your Endress+Hauser sales center.	SFX100 - *****

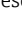

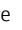

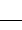


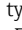
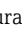

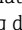
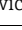
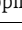

9.3 Service-specific accessories

Accessory	Description	Order code
Applicator	<p>Software for selecting and sizing Endress+Hauser measuring devices:</p> <ul style="list-style-type: none"> ▪ Calculation of all the necessary data for identifying the optimum flowmeter: e.g. nominal diameter, pressure loss, accuracy or process connections ▪ Graphic illustration of the calculation results <p>Administration, documentation and access to all project-related data and parameters over the entire life cycle of a project.</p> <p>Applicator is available:</p> <ul style="list-style-type: none"> ▪ Via the Internet: https://wapps.endress.com/applicator ▪ On CD-ROM for local PC installation. 	DKA80 - *
Fieldcheck	<p>Tester/simulator for testing flowmeters in the field. When used in conjunction with the "FieldCare" software package, test results can be imported into a database, printed and used for official certification.</p> <p>Further information is available from your Endress+Hauser sales center.</p>	50098801
FieldCare	<p>FieldCare is Endress+Hauser's FDT based Plant Asset Management Tool. It can configure all intelligent field devices in your plant and supports you in managing them. By using status information, it also provides a simple but effective means of checking their health.</p>	<p>Please refer to the product page of the Endress+Hauser Internet page: www.endress.com</p>
FXA193	<p>The FXA193 service interface connects the device to the PC for configuration via FieldCare.</p>	FXA193 - *

10 Trouble-shooting

10.1 Trouble-shooting instructions

Always start troubleshooting with the following checklist if faults occur after commissioning or during operation. The routine takes you directly to the cause of the problem and the appropriate remedial measures.

Check the display	
No display visible and no output signals present.	<ol style="list-style-type: none"> 1. Check the supply voltage → Terminals 1, 2 2. Check device fuse →  85 85 to 260 V AC: 0.8 A slow-blow / 250 V 20 to 55 V AC and 16 to 62 V DC: 2 A slow-blow / 250 V 3. Measuring electronics defective → order spare parts →  79
No display visible, but output signals are present.	<ol style="list-style-type: none"> 1. Check whether the ribbon cable connector of the display module is correctly plugged into the amplifier board →  80. 2. Display module defective → order spare parts →  80 3. Measuring electronics defective → order spare parts →  80
Display texts are in a foreign language.	Switch off the power supply. Press and hold down both the  keys and switch on the measuring device. The display text will appear in English (default) and is displayed at maximum contrast.
Measured value indicated, but no signal at the current or pulse output	Measuring electronics defective → order spare parts →  80
▼	
Error messages on display	
<p>Errors that occur during commissioning or measuring are displayed immediately. Error messages consist of a variety of icons. The meanings of these icons are as follows (example):</p> <ul style="list-style-type: none"> - Type of error: S = System error, P = Process error - Error message type:  = Fault message,  = Notice message - FLOW LIMIT = Error designation, e.g. measured flow has exceeded the maximum limit. - 03:00:05 = Duration of error occurrence (in hours, minutes and seconds) - #422 = Error number <p> Caution!</p> <ul style="list-style-type: none"> ▪ See the information on →  38. ▪ The measuring device interprets simulations and positive zero return as system errors, but displays them as a notice message only. 	
System error (device error) has occurred →  72	
Process error (application error) has occurred →  76	
▼	
Other error (without error message)	
Some other error has occurred.	Diagnosis and rectification →  76

10.2 System error messages

Serious system errors are **always** recognized by the flowmeter as "Fault message", and are shown as a lightning flash (⚡) on the display! Fault messages immediately affect the inputs and outputs. Simulations and positive zero return, on the other hand, are classed and displayed as "Notice messages".



Caution!

In the event of a serious fault, a flowmeter might have to be returned to the manufacturer for repair. Important procedures must be carried out before you return a flowmeter to Endress+Hauser. → 📄 6


Always enclose a duly completed "Declaration of contamination" form with the measuring device. You will find a preprinted blank of this form at the back of this manual.

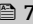






Note!

- The listed error message types below correspond to the factory setting.
- Also observe the information on the following pages: → 📄 38

No.	Error message / Type	Cause	Remedy / spare part → 📄 79
S = System error ⚡ = Fault message (with an effect on the inputs and outputs) ! = Notice message (without an effect on the inputs and outputs)			
No. # 0xx → Hardware error			
001	S: CRITICAL FAIL. ⚡: # 001	Serious device error	Replace the amplifier board.
011	S: AMP HW EEPROM ⚡: # 011	Amplifier: Defective EEPROM	Replace the amplifier board.
012	S: AMP SW EEPROM ⚡: # 012	Measuring amplifier: Error when accessing data of the EEPROM	The EEPROM data blocks in which an error has occurred are displayed in the "TROUBLESHOOTING" function. Press Enter to acknowledge the errors in question; default values are automatically inserted instead of the errored parameter values. Note! The measuring device has to be restarted if an error has occurred in a totalizer block (see error No. 111 / CHECKSUM TOTAL).
014	S: AMP SW-ROM/RAM ⚡: # 014	Amplifier: Defective ROM/RAM	Replace the amplifier board.
031	S: SENSOR HW DAT ⚡: # 031	1. HistoROM/S-DAT is not plugged into the amplifier board or is missing. 2. HistoROM/S-DAT is defective.	1. Check whether the HistoROM/S-DAT is correctly plugged into the amplifier board. 2. Replace the S-DAT if it is defective. Before replacing the DAT, check that the new, replacement DAT is compatible with the measuring electronics. Check the: Spare part set number Hardware revision code
032	S: SENSOR SW DAT ⚡: # 032	Sensor DAT: Error accessing the calibration values stored in the HistoROM/S-DAT.	3. Replace measuring electronics boards if necessary. 4. Plug the S-DAT into the amplifier board.
035	S: SEN HW-ROM/RAM ⚡: # 035	Sensor: Defective ROM/RAM	Replace the amplifier board.
036	S: SEN SW-ROM/RAM ⚡: # 036		

No.	Error message / Type	Cause	Remedy / spare part → 79
042	S: TRANSM. SW DAT ⚡: # 042	Sensor DAT: Error accessing the calibration values stored in the HistoROM/T-DAT.	<ol style="list-style-type: none"> 1. Check whether the HistoROM/T-DAT is correctly plugged into the amplifier board. 2. Replace the T-DAT if it is defective. <p>Before replacing the DAT, check that the new, replacement DAT is compatible with the measuring electronics. Check the: Spare part set number Hardware revision code</p> <ol style="list-style-type: none"> 3. Replace measuring electronics boards if necessary. 4. Plug the T-DAT into the amplifier board.
051	S: A / C COMPATIB. ⚡: # 051	The I/O board and the amplifier board are not compatible.	<p>Use only compatible modules and boards. Check the compatibility of the modules used.</p> <p>Check the:</p> <ul style="list-style-type: none"> - Spare part set number - Hardware revision code
070	S: SENSOR DEFECT ⚡: # 070	Flow sensors are likely to be defect, measurement is no longer possible.	<ol style="list-style-type: none"> 1. Visual check of the sensors for damage. 2. The resistance of the sensors must be measured. <p>Contact your Endress+Hauser sales center for clarification.</p>
No. # 1xx → Software error			
111	S: CHECKSUM TOTAL ⚡: # 111	Totalizer checksum error	<ol style="list-style-type: none"> 1. Restart the measuring device 2. Replace the amplifier board if necessary.
121	S: A/C SW COMPATI !: # 121	<p>Due to different software versions, I/O board and amplifier board are only partially compatible (possibly restricted functionality).</p> <p> Note!</p> <ul style="list-style-type: none"> - This message is only listed in the error history. - Nothing is displayed on the display. 	Module with lower software version has either to be actualized by FieldCare with the required software version or the module has to be replaced.
No. # 2xx → Error in DAT / no communication			
205	S: LOAD T-DAT !: # 205	Transmitter DAT	<ol style="list-style-type: none"> 1. Check whether the HistoROM/T-DAT is correctly plugged into the amplifier board. 2. Replace the T-DAT if it is defective. <p>Before replacing the DAT, check that the new, replacement DAT is compatible with the measuring electronics. Check the:</p> <ul style="list-style-type: none"> - Spare part set number - Hardware revision code <ol style="list-style-type: none"> 3. Replace measuring electronics boards if necessary.
206	S: SAVE T-DAT !: # 206	Data backup (downloading) to HistoROM/T-DAT failed, or error when accessing (uploading) the calibration values stored in the HistoROM/T-DAT.	
211	S: S-DAT NO HW ⚡: # 211	HistoROM/S-DAT is not fitted to amplifier board.	Check whether the HistoROM/S-DAT is correctly plugged into the amplifier board.
251	S: COMMUNIC. SENS ⚡: # 251	Internal microprocessor communication fault on the amplifier board.	Remove the amplifier board.
261	S: COMMUNIC. I/O ⚡: # 261	No data reception between amplifier and I/O board or faulty internal data transfer.	Check the BUS contacts
No. # 3xx → System limits exceeded			
351 ... 352	S: RANGE CUR.OUTn !: # 351...352	<p>Current output: The actual value for the flow lies outside the set limits.</p>	<ol style="list-style-type: none"> 1. Change lower-range or upper-range values entered. 2. Reduce flow.
355 ... 356	S: RANGE FREQ.OUTn !: # 355...356	<p>Frequency output: The actual value for the flow lies outside the set limits.</p>	<ol style="list-style-type: none"> 1. Change lower-range or upper-range values entered. 2. Reduce flow.

No.	Error message / Type	Cause	Remedy / spare part →  79
359 ... 360	S: RANGE PULSEn !: # 359...360	Pulse output: Pulse output frequency is outside the set range.	<ol style="list-style-type: none"> Increase pulse value When selecting the pulse width, choose a value that can still be processed by a connected counter (e.g. mechanical counter, PLC etc.). <i>Determine the pulse width:</i> <ul style="list-style-type: none"> Variant 1: Enter the minimum duration that a pulse must be present at the connected counter to ensure its registration. Variant 2: Enter the maximum (pulse) frequency as the half "reciprocal value" that a pulse must be present at the connected counter to ensure its registration. Example: The maximum input frequency of the connected counter is 10 Hz. The pulse width to be entered is: $\frac{1}{2 \cdot 10 \text{ Hz}} = 50 \text{ ms}$ Reduce flow.
363	S: RANGE CUR.IN1 !: # 363	Current input: The actual value for the current input is outside the set range.	<ol style="list-style-type: none"> Change set lower-range or upper-range value. Check settings of the external current source.
372	S: DIFF TEMP LO !: # 372	The measured sensor differential temperature is below limit value.	Reduce the flow rate.
381	S: FLUIDTEMP.MIN !: # 381	The minimum fluid temperature limit for the transducer has been exceeded.	Increase the process gas temperature.  Caution! In case of severe temperature exposure, the transducer may be damaged.
382	S: FLUIDTEMP.MAX !: # 382	The minimum fluid temperature limit for the transducer has been exceeded.	Reduce the process gas temperature.  Caution! In case of severe temperature exposure, the transducer may be damaged.
No. # 5xx → Application error			
501	S: SW.-UPDATE ACT !: # 501	New amplifier or communication (I/O module) software version is loaded. Currently no other functions are possible.	Wait until process is finished. The device will restart automatically.
502	S: UP-/DOWNL. ACT !: # 502	Up- or downloading the device data via configuration program. Currently no other functions are possible.	Wait until process is finished.
No. # 6xx → Simulation mode active			
601	S: POS.ZERO-RET. !: # 601	Positive zero return active.  Caution! This message has the highest display priority.	Switch off positive zero return.
611 ... 612	S: SIM. CURR.OUT. n !: # 611...612	Simulation current output active	Switch off simulation
621 ... 622	S: SIM. FREQ.OUT. n !: # 621...622	Simulation frequency output active	Switch off simulation
631 ... 632	S: SIM. PULSE n !: # 631...632	Simulation pulse output active	Switch off simulation
641 ... 642	S: SIM. STAT.OUT n !: # 641...642	Simulation status output active	Switch off simulation
651 ... 652	S: SIM.REL.OUT n !: # 651...652	Simulation relay output active	Switch off simulation

No.	Error message / Type	Cause	Remedy / spare part →  79
661	S: SIM.CURR. IN 1 !: # 661	Simulation current input active	Switch off simulation
671 ... 672	S: SIM.STATUS IN n !: # 671...672	Simulation status input active	Switch off simulation
691	S: SIM. FAILSAFE !: # 691	Simulation of response to error (outputs) active	Switch off simulation
692	S: SIM. MEASURAND !: # 692	Simulation of measuring variables (e.g. mass flow)	Switch off simulation
698	S: DEV. TEST ACT. !: # 698	The measuring device is being checked on-site via the test and simulation device (FieldCheck).	

10.3 Process error messages

Process errors can be defined as either "Fault" or "Notice" messages and can thereby be weighted differently. This is specified via the function matrix ([®] "Description of Device Functions" manual).



Note!

- The error message types listed below correspond to the factory setting.
- Also observe the information on the following pages: → 38

No.	Error message / Type	Cause	Remedy / spare part → 79
S = System error \$ = Fault message (with an effect on the inputs and outputs) ! = Notice message (without an effect on the inputs and outputs)			
422	P: FLOW LIMIT \$: # 422	The measured flow has exceeded the maximum limit.	Reduce the flow rate. Note! Error can be configured as a fault or notice message.
731	P: ADJ. ZERO FAIL \$: # 731	The saved zero point is inaccurate possibly due to unstable process or flow conditions.	Make sure that zero point adjustment is carried out at "zero flow" only (v = 0 m/s) → 65.

10.4 Process errors without messages

Symptoms	Rectification
Note! You may have to change or correct certain settings of the function matrix in order to rectify faults. The functions outlined below, such as DISPLAY DAMPING, for example, are described in detail in the "Description of Device Functions" manual.	
Displayed measured value fluctuates even though flow is steady.	1. Increase value of the TIME CONSTANT setting → CURRENT OUTPUT function group. 2. Increase value of the DISPLAY DAMPING setting → USER INTERFACE function group. 3. The inlet and outlet lengths must be observed. See installation conditions → 15 4. Consider the use of a flow conditioner. See installation conditions → 16 5. Relocate the meter to a point where there is less flow disturbance
Measuring device displays flow with no actual flow present.	1. The low flow cut off value is programmed too low. Increase value of the ON VALUE LOW FLOW CUT OFF setting → PROCESS PARAMETERS function group (Factory setting = 1% of 20mA value). 2. Check for leaks in the pipe line downstream of the sensor. 3. Reduce or eliminate pressure pulsations in the line.
Measuring device displays flow with no actual flow present - but with high static line pressure and thermally conductive gases present (e.g. hydrogen, helium, etc.). Line pressure is typically > 5 bar / 75 psi	Start the ZERO POINT ADJUST function → PROCESS PARAMETERS function group. See Zero Point Adjust function → 65 Note! Process preconditions are required before starting this function.
Measuring device displays zero flow but flow is present.	1. The INSTALLATION FACTOR may have a wrong setting = 0 [®] PROCESS PARAMETERS function group (factory setting = 1.0). 2. The LOW FLOW CUT OFF setting may be too high. Adjust the function ON VALUE LOW FLOW CUT OFF to a lower value → PROCESS PARAMETERS function group (factory setting 1% of calibrated 20mA value). 3. The ZERO POINT ADJUST function may have been incorrectly carried out with flow present. RESET the zero point adjustment if necessary → PROCESS PARAMETERS function group.

Symptoms	Rectification
<p>Measuring device displays incorrect flow values.</p>	<ol style="list-style-type: none"> 1. Check the basic parameters of the device → 50 Especially: <ul style="list-style-type: none"> - Gas - Process pressure - Reference pressure and reference temperature - Flow units - Output assignment 2. Check the installation conditions (Post-installation check → 27) <ol style="list-style-type: none"> a. The inlet and outlet lengths must be observed → 15. b. Consider the use of a flow conditioner if the necessary inlet requirements cannot be met → 16. c. t-mass F: Check for diameter mismatch between the flanges and check the gasket alignment → 13. t-mass I: Check the sensor orientation and insertion depth. → 19. d. If the measures above cannot rectify the problem, the INSTALLATION FACTOR → PROCESS PARAMETER function group (factory setting = 1.0) must be configured in such a way that the flow rate displayed matches the anticipated flow rate. 3. The flow rate maybe too high (i.e. above sensor calibration range) <ol style="list-style-type: none"> 1. Check the measuring range that the Endress+Hauser Applicator program uses. 2. Check if the inverted plus sign "+" is shown on the display? If yes, reduce the velocity if possible. 4. The flow rate maybe too low <ol style="list-style-type: none"> 1. Check the measuring range that the Endress+Hauser Applicator program uses. 2. Increase the velocity if possible. 5. Check the condition of the transducer <ol style="list-style-type: none"> 1. Are the measuring elements bent? If yes, replacement is necessary. 2. Are build-ups present? If yes, clean the sensors (transducer cleaning Sensor cleaning → 67). 3. Has corrosion occurred? If yes, replacement is necessary. 6. Check if the gas is wet? Is condensate present on the sensors? If so: <ol style="list-style-type: none"> 1. For horizontal pipes: Mount the sensor at 135° → 14 2. Install a condensate trap or filter upstream of the flowmeter 7. Check if heating devices are used upstream of the flowmeter causing possible temperature profile effects ? If so: <ol style="list-style-type: none"> 1. Relocate the flowmeter further downstream or 2. Install a flow conditioner upstream of the flowmeter
<p>The fault cannot be rectified or some other fault not described above has occurred. In such cases, your Endress+Hauser sales center can help.</p>	<p>The following options are available for tackling problems of this nature:</p> <p>Request the services of an Endress+Hauser service technician If our service representative is contacted to have a service technician sent out, please be ready with the following information:</p> <ul style="list-style-type: none"> - Brief description of the fault - Nameplate specifications : Order code and serial number → 7 <p>Returning measuring devices to Endress+Hauser The procedures on → 6 must be carried out before you return a flowmeter requiring repair or calibration to Endress+Hauser. Always enclose a duly completed "Declaration of contamination" form with the flowmeter. You will find a preprinted "Declaration of contamination" at the back of this manual.</p> <p>Replace transmitter electronics Components in the measuring electronics defective → order replacement → 79</p>

10.5 Response of outputs to errors



Note!

The failsafe mode of totalizers, current, pulse, frequency, status and relay outputs can be customized by means of various functions in the function matrix. You will find detailed information on these procedures in the "Description of Device Functions" manual.

You can use positive zero return to set the signals of the current, pulse and status outputs to their fallback value, for example when measuring has to be interrupted while a pipe is being cleaned. This function takes priority over all other device functions. Simulations, for example, are suppressed.

Failsafe mode of outputs and totalizers		
	Process/system error is present	Positive zero return is activated
Caution! System or process errors defined as "Notice messages" have no effect whatsoever on the inputs and outputs. See the information on → 38		
Current output 1, 2	MINIMUM CURRENT The current output will be set to the lower value of the signal on alarm level depending on the setting selected in the CURRENT SPAN (see the "Description of Device Functions" manual). MAXIMUM CURRENT The current output will be set to the higher value of the signal on alarm level depending on the setting selected in the CURRENT SPAN (see the "Description of Device Functions" manual). HOLD VALUE Measured value display on the basis of the last saved value preceding occurrence of the fault. ACTUAL VALUE Measured value display on the basis of the current flow measurement. The fault is ignored.	Output signal corresponds to "zero flow"
Pulse output	FALLBACK VALUE Signal output → no pulses ACTUAL VALUE Fault is ignored, i.e. normal measured value output on the basis of ongoing flow measurement.	Output signal corresponds to "zero flow"
Frequency output	FALLBACK VALUE Signal output → 0 Hz FAILSAFE LEVEL Output of the frequency specified in the FAILSAFE VALUE function. HOLD VALUE Last valid value (preceding occurrence of the fault) is output. ACTUAL VALUE Fault is ignored, i.e. normal measured value output on the basis of ongoing flow measurement.	Output signal corresponds to "zero flow"
Totalizer 1, 2	STOP The totalizers are paused until the error is rectified. ACTUAL VALUE The fault is ignored. The totalizer continues to count in accordance with the current flow value. HOLD VALUE The totalizers continue to count the flow in accordance with the last valid flow value (before the error occurred).	Totalizer stops
Status output	Status output → non-conductive in the event of fault or power supply failure	No effect on status output
Relay output 1, 2	In event of fault or power supply failure: relay → de-energized The "Description of Device Functions" manual contains detailed information on relay switching response for various configurations such as error message, flow limit, temperature limit, etc.	No effect on the relay output

10.6 Spare parts

The previous sections contain a detailed trouble-shooting guide. → [71](#)

The measuring device, moreover, provides additional support in the form of continuous self-diagnosis and error messages.

Fault rectification can entail replacing defective components with tested spare parts. The illustration below shows the available scope of spare parts.



Note!

You can order spare parts directly from your Endress+Hauser sales center by providing the serial number printed on the transmitter's nameplate. → [7](#)

Spare parts are shipped as sets comprising the following parts:

- Spare part
- Additional parts, small items (threaded fasteners, etc.)
- Installation instructions
- Packaging

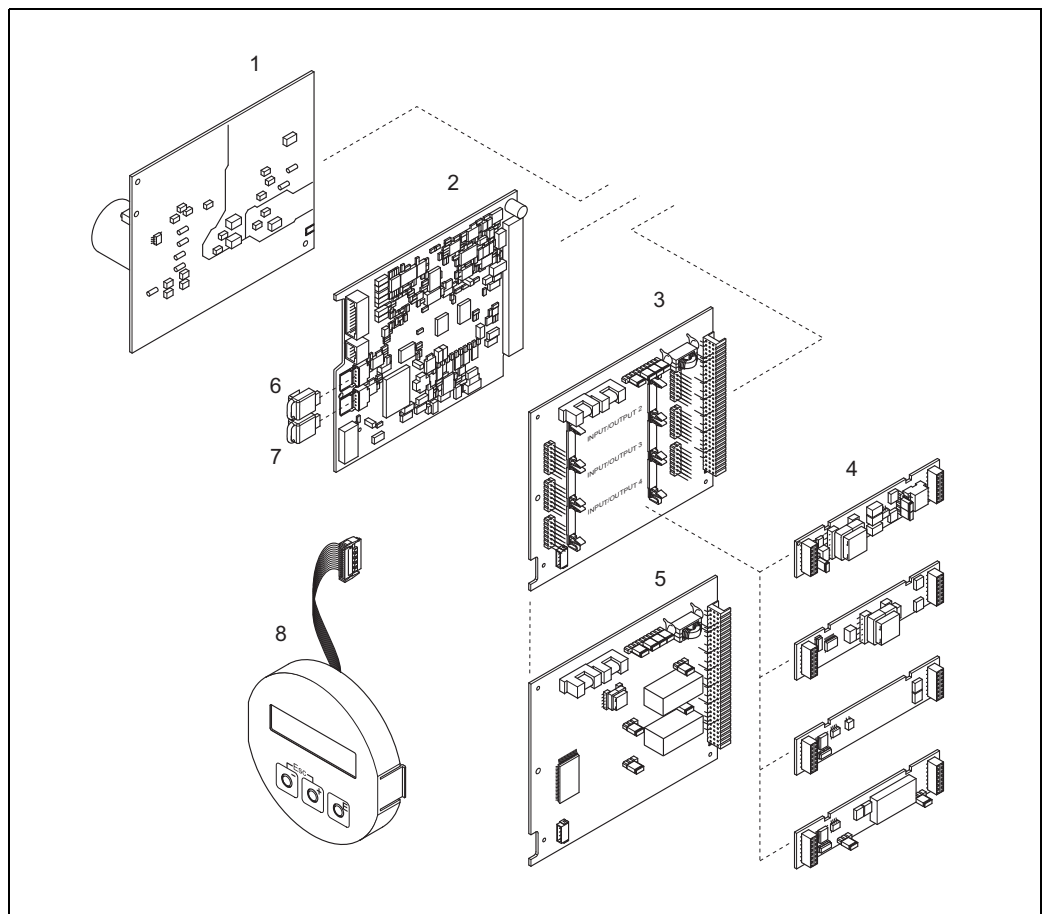


Fig. 40: Spare parts for transmitter 65 (field and wall-mount housings)

- 1 Power unit board (85 to 260 V AC, 20 to 55 V AC, 16 to 62 V DC)
- 2 Amplifier board
- 3 I/O board (COM module), flexible assignment
- 4 Pluggable input/output submodules; ordering structure → [69](#)
- 5 I/O board (COM module), permanent assignment
- 6 HistoROM/S-DAT (sensor data memory)
- 7 HistoROM/T-DAT (transmitter data memory)
- 8 Display module

A0005125

10.6.1 Removing and installing printed circuit boards

Field housing



Warning!

- Risk of electric shock. Exposed components carry dangerous voltages. Switch off the power supply before you remove the cover of the electronics compartment.
- Risk of damaging electronic components (ESD protection). Static electricity can damage electronic components or impair their operability. Use a workplace with a grounded working surface purposely built for electrostatically sensitive devices!
- If you cannot guarantee that the dielectric strength of the measuring device can be maintained during the following steps, then an appropriate inspection test must be carried out in accordance with the manufacturer's specifications.
- When connecting Ex-certified measuring devices, see the notes and diagrams in the Ex-specific supplement to these Operating Instructions. Please do not hesitate to contact your Endress+Hauser sales center if you have any questions.



Caution!


Use only original Endress+Hauser parts.

Removal and installation →  41:

1. Unscrew cover of the electronics compartment from the transmitter housing.
2. Remove the screws (1.1) and remove the cover (1) from the electronics compartment.
3. Disconnect the display ribbon cable (1.2) from the amplifier board.
4. Remove power supply board (3) and I/O board (5 or 6):
Insert a thin pin into the hole (2) provided for the purpose and pull the board clear of its holder.
5. Remove submodules (5.1):
No tools are required for removing the submodules (inputs/outputs) from the I/O board. Installation is also a no-tools operation.



Caution!

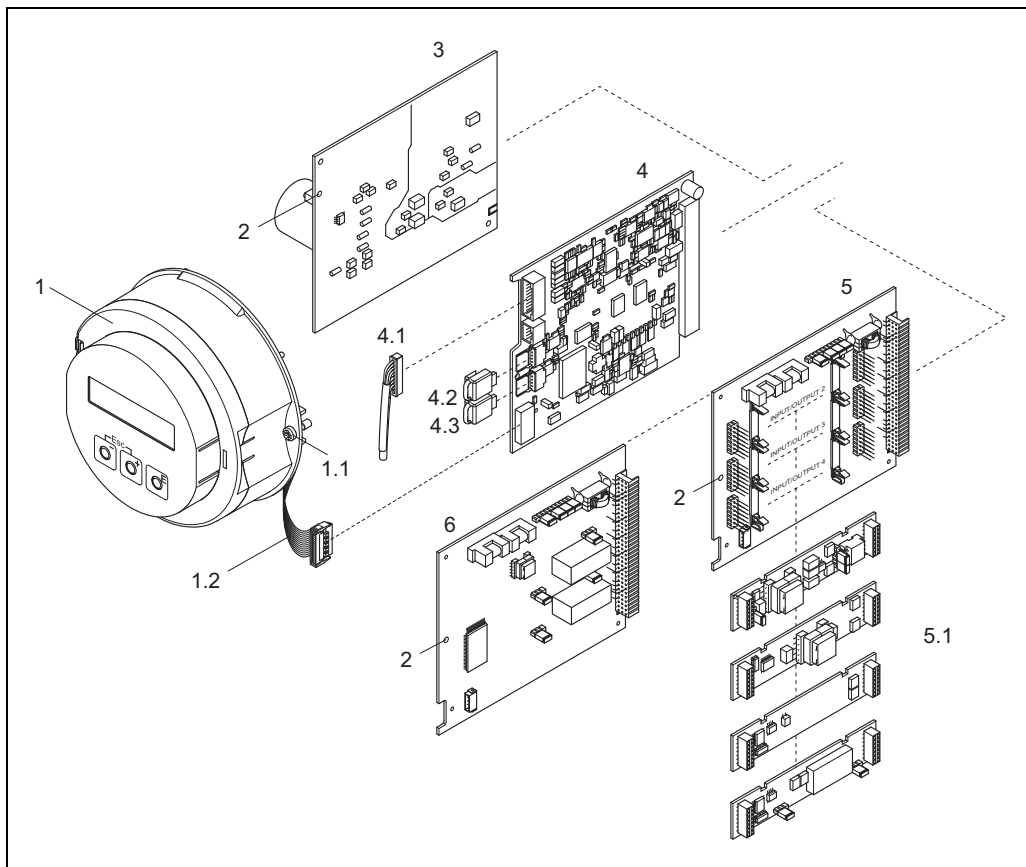
Only certain combinations of submodules on the I/O board are permissible. →  30
The individual slots are marked and correspond to certain terminals in the connection compartment of the transmitter:

Slot "INPUT / OUTPUT 2" = Terminals 24 / 25

Slot "INPUT / OUTPUT 3" = Terminals 22 / 23

Slot "INPUT / OUTPUT 4" = Terminals 20 / 21

6. Remove amplifier board (4):
 - Disconnect the plug of the sensor signal cable (4.1) including HistoROM/S-DAT (4.2) and HistoROM/T-DAT (4.3) from the board.
 - Disconnect the plug of the excitation current cable (4.2) from the board carefully, i.e. without moving it to and fro.
 - Insert a thin pin into the hole (2) provided for the purpose and pull the board clear of its holder.
7. Installation is the reverse of the removal procedure.



A0005126

Fig. 41: Field housing: removing and installing printed circuit boards

- 1 Electronics compartment cover with local display
- 1.1 Screws of electronics compartment cover
- 1.2 Ribbon cable (display module)
- 2 Aperture for installing/removing boards
- 3 Power unit board
- 4 Amplifier board
- 4.1 Signal cable (sensor)
- 4.2 HistoROM/S-DAT (sensor data memory)
- 4.3 HistoROM/T-DAT (transmitter data memory)
- 5 I/O board (flexible assignment)
- 5.1 Pluggable submodules (status input and current input, current output, frequency output and relay output)
- 6 I/O board (permanent assignment)

Wall-mount housing



Warning!

- Risk of electric shock. Exposed components carry dangerous voltages. Switch off the power supply before you remove the cover of the electronics compartment.
- Risk of damaging electronic components (ESD protection). Static electricity can damage electronic components or impair their operability. Use a workplace with a grounded working surface purposely built for electrostatically sensitive devices!
- If you cannot guarantee that the dielectric strength of the measuring device can be maintained during the following steps, then an appropriate inspection test must be carried out in accordance with the manufacturer's specifications.
- When connecting Ex-certified measuring devices, see the notes and diagrams in the Ex-specific supplement to these Operating Instructions. Please do not hesitate to contact your Endress+Hauser sales center if you have any questions.



Caution!


Use only original Endress+Hauser parts.

Removal and installation →  42:

1. Remove the screws and open the hinged cover (1) of the housing.
2. Loosen the screws securing the electronics module (2). Then push up electronics module and pull it as far as possible out of the wall-mount housing.
3. Disconnect the sensor signal cable plug (7.1) including HistoROM/S-DAT (7.2) and HistoROM/T-DAT (7.3) from amplifier board (7).
4. Remove the cover (4) from the electronics compartment by removing the screws.
5. Disconnect the ribbon cable plug (3) of the display module from amplifier board (7).
6. Remove the boards (6, 7, 8, 9):
Insert a thin pin into the hole (5) provided for the purpose and pull the board clear of its holder.
7. Remove submodules (8.1):
No tools are required for removing the submodules (inputs/outputs) from the I/O board. Installation is also a no-tools operation.



Caution!

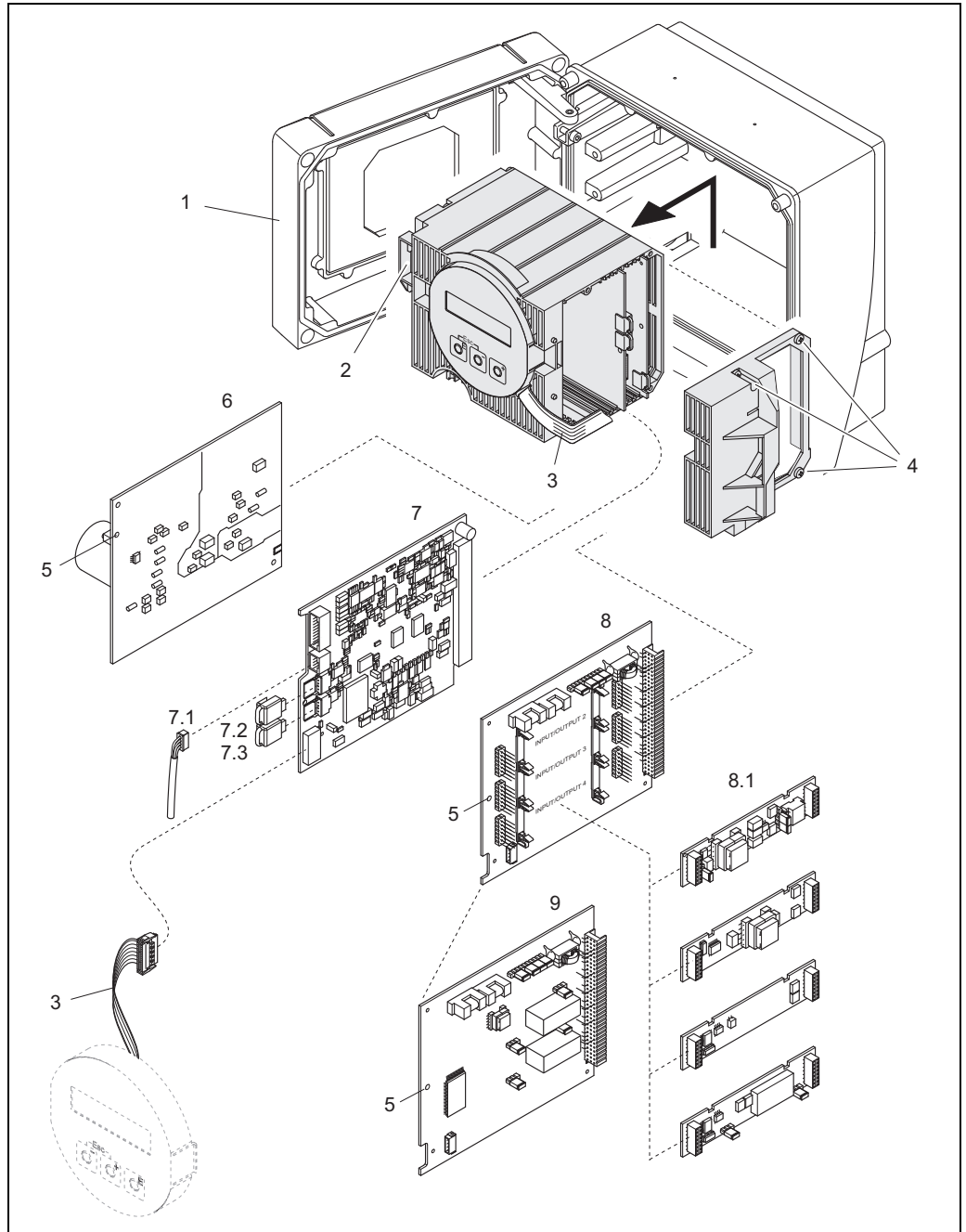
Only certain combinations of submodules on the I/O board are permissible. →  30
The individual slots are marked and correspond to certain terminals in the connection compartment of the transmitter:

Slot "INPUT / OUTPUT 2" = Terminals 24 / 25

Slot "INPUT / OUTPUT 3" = Terminals 22 / 23

Slot "INPUT / OUTPUT 4" = Terminals 20 / 21

8. Installation is the reverse of the removal procedure.



A0005127

Fig. 42: Field housing: removing and installing printed circuit boards

- 1 Housing cover
- 2 Electronics module
- 3 Ribbon cable (display module)
- 4 Screws of electronics compartment cover
- 5 Aperture for installing/removing boards
- 6 Power unit board
- 7 Amplifier board
- 7.1 Signal cable (sensor)
- 7.2 HistoROM/S-DAT (sensor data memory)
- 7.3 HistoROM/T-DAT (transmitter data memory)
- 8 I/O board (flexible assignment)
- 8.1 Pluggable submodules (status input and current input, current output, frequency output and relay output)
- 9 I/O board (permanent assignment)

Electronics housing sensor remote version



Warning!

- Risk of damaging electronic components (ESD protection). Static electricity can damage electronic components or impair their operability. Use a workplace with a grounded working surface purposely built for electrostatically sensitive devices!
- If you cannot guarantee that the dielectric strength of the measuring device can be maintained during the following steps, then an appropriate inspection test must be carried out in accordance with the manufacturer's specifications.
- When connecting Ex-certified measuring devices, see the notes and diagrams in the Ex-specific supplement to these Operating Instructions. Please do not hesitate to contact your Endress+Hauser sales center if you have any questions.

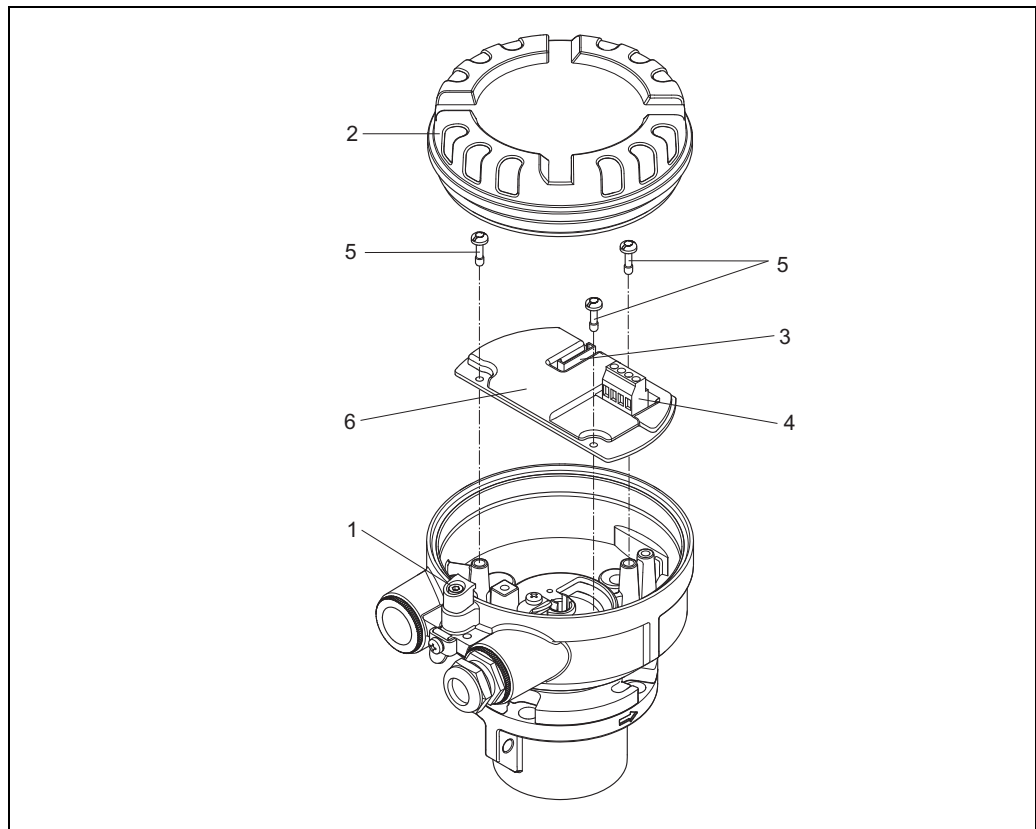


Caution!

Use only original Endress+Hauser parts.

Removal and installation →  43:

1. Remove the safety screw (1) and remove the cover (2) from the electronics compartment.
2. Disconnect the sensor cable plug (3).
3. Disconnect the remote cable from the terminal block (4).
4. Remove the two screws (5) from the printed circuit board
5. Remove printed circuit board (6)
6. Installation is the reverse of the removal procedure.



A0005131

Fig. 43: Electronics compartment of the sensor housing remote version: removing and installing printed circuit board

Wire colors (when supplied by Endress+Hauser):
Terminal no. 41 = white; 42 = brown; 43 = green; 44 = yellow

10.6.2 Replacing the device fuse



Warning!

Risk of electric shock. Exposed components carry dangerous voltages. Switch off the power supply before you remove the cover of the electronics compartment.

The main fuse is on the power unit board.

The procedure for replacing the fuse is as follows:

1. Switch off the power supply.
2. Remove the power unit board → 80.
3. Remove the protection cap (1) and replace the device fuse (2).
Only use the following fuse type:
 - Power supply 20 to 55 V AC / 16 to 62 V DC → 2.0 A slow-blow / 250 V; 5.2 x 20 mm
 - Power supply 85 to 260 V AC → 0.8 A slow-blow / 250 V; 5.2 x 20 mm
 - Ex-rated measuring devices → see the Ex documentation.
4. Installation is the reverse of the removal procedure.



Caution!

Use only original Endress+Hauser parts.

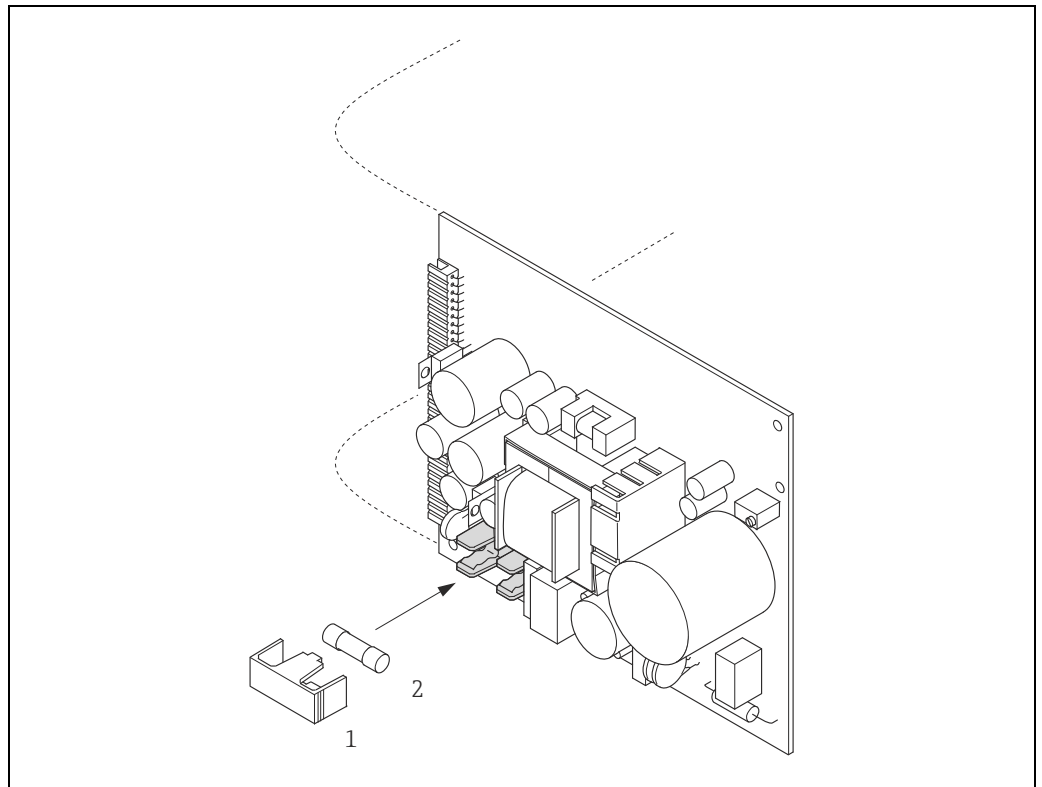


Fig. 44: Replacing the device fuse on the power unit board

- 1 Protective cap
- 2 Device fuse

10.7 Return

The measuring device must be returned if it is in need of repair or a factory calibration, or if the wrong measuring device has been delivered or ordered. According to legal regulations Endress+Hauser, as an ISO-certified company, is required to follow certain procedures when handling returned products that are in contact with the medium.

To ensure swift, safe and professional device returns, please read the return procedures and conditions on the Endress+Hauser website at www.services.endress.com/return-material

10.8 Disposal

10.8.1 Disassembling the measuring device

1. Switch off the device.
2. **WARNING!** Danger to persons from process conditions! Beware of hazardous process conditions such as pressure in the measuring device, high temperatures or aggressive fluids.

Carry out the mounting and connection procedure described in the "Mounting the measuring device" and "Connecting the measuring device" sections in the logically reverse order. Observe the safety instructions.

10.8.2 Disposing of the measuring device



Warning!

Hazardous fluids present a risk to humans and the environment!

- Ensure that the measuring device and all cavities are free of fluid residues that are hazardous to health or the environment, e.g. substances that have permeated into crevices or diffused through plastic.

Note the following when disposing of the device:

- Observe applicable national regulations.
- Separate and recycle the device components based on the materials.

10.9 Software history



Note!

Uploading or downloading a software version normally requires a special service software.

Date	Software version	Changes to software	Documentation
10.200 9	1.01.XX	Software expansion: <ul style="list-style-type: none"> - second gas group in memory - gas heat flow and heat quantity - variable gas fraction input - revised diagnostics - Fieldcheck compatibility New functionalities: <ul style="list-style-type: none"> - Quick Setups for gas, pressure, heat flow and sensor - additional pressure units - system units for calorific value, heat flow and quantity heat - process pressure for gas group 1 + 2 - status input assignment for gas group - current input assignment for variable gas fraction - assignment of heat flow to display, totalizer and outputs - totalizer units for quantity heat flow - assignment of gas groups to outputs and totalizer - on/off delay for relay outputs - selection special gas with correction factors and reference density - insertion depth calculator - time stamping for process and system errors 	71115126/ 06.10
11.200 5	1.00.XX		71009069/ 12.05

11 Technical data

11.1 Applications

→  5

11.2 Function and system design

Measuring principle Mass flow measurement by the thermal dispersion principle.

Measuring system The "t-mass 65" measuring device consists of the following components:

- t-mass 65 transmitter
- t-mass F, t-mass I sensor

Two versions are available:

- Compact version: transmitter and sensor form a single mechanical unit.
- Remote version: transmitter and sensor are installed separately.

11.3 Input

Measured variable

- Mass flow
- Gas temperature
- Gas heat flow

Measuring range The measuring range is dependent upon:

- Gas
- Pressure
- Temperature
- Cross-sectional area of pipe or duct
- Use of flow conditioner (t-mass F sensor)

Please refer to Applicator, the Endress+Hauser sizing and selection software, for calculation of the measuring range.

Special applications

High gas velocities (>70 m/s)

In the event of high gas velocities, it is advisable to read in the process pressure dynamically or to enter the pressure very precisely as a velocity-dependent correction is performed.

Light gases

- Due to the very high thermal conductivity of hydrogen (H₂) (9 times that of air) and the fact that hydrogen is the lightest of all gases, it can prove very difficult to reliably measure this gas. Depending on the application, the flow rates of hydrogen are often particularly slow and the flow profiles are not sufficiently developed. It is not unusual for the flows to be in the laminar range, whereas a turbulent flow regime would be required for optimum measurement.
- Despite loss of accuracy and linearity in hydrogen applications with low flow rates, the t-mass 65 measures with good repeatability and is therefore suitable for monitoring flow conditions (e.g. leak detection).
- A linear, reliable measured value is difficult to obtain in applications with light gases with a Reynolds number below RE 4000. While this can be improved by making a special adjustment in the lower flow range, a loss of accuracy and linearity should be expected. It is advisable to contact your Endress+Hauser sales center if your application involves media with Reynolds numbers below RE 4000.

- When mounting, please note that the recommended upstream distances should be doubled for very light gases such as helium and hydrogen. →  15

Input signal**Status input (auxiliary input)**

U = 3 to 30 V DC, $R_i = 5 \text{ k}\Omega$, galvanically isolated. Switch level ± 3 to ± 30 V DC.
Configurable for: gas group, totalizer reset, positive zero return


11.4 Output**Output signal****Current output**

Active/passive selectable, galvanically isolated, time constant selectable (0.0 to 100.0 s), full scale value selectable, temperature coefficient: typically 0.005% o.r./°C, resolution: 0.5 μA

- Active: 0/4 to 20 mA, $R_L < 700 \Omega$ (for HART: $R_L \geq 250 \Omega$)
- Passive: 4 to 20 mA; supply voltage V_S 18 to 30 V DC; $R_i \geq 150 \Omega$

Pulse / frequency output

Active/passive selectable, galvanically isolated

- Active: 24 V DC, 25 mA (max. 250 mA during 20 ms), $R_L > 100 \Omega$ (flexible I/O boards only, see terminal assignment →  30)
- Passive: open collector, 30 V DC, 250 mA
- Frequency output: full scale frequency 2 to 1000 Hz ($f_{\text{max}} = 1250 \text{ Hz}$), on/off ratio 1:1, pulse width max. 2 s, time constant selectable (0.0 to 100.0 s)
- Pulse output: pulse value and pulse polarity selectable, pulse width adjustable (0.5 to 2000 ms; factory setting = 20 ms)

Signal on alarm

Current output:

Failsafe mode selectable (for example, according to NAMUR recommendation NE 43)

Pulse/frequency output:

Failsafe mode selectable

Status output:

"Non-conductive" in the event of fault or power supply failure.

Relay output:

"De-energized" in the event of fault or power supply failure

Current input:

Failsafe mode selectable

Load

See "Output signal"

Low flow cut off

Switch points for low flow cut off are programmable.
Factory settings = 1% of calibrated full scale value.

Galvanic isolation

All circuits for inputs, outputs and power supply are galvanically isolated from each other.

Switching output

Relay output: Normally closed (NC) or normally open (NO) contacts available (factory setting: relay 1 = NO, relay 2 = NC), max. 30 V / 0.5 A AC; 60 V / 0.1 A DC, galvanically isolated.

Configurable for: error messages, limit values

Factory setting: closed

11.5 Power supply

Electrical connections →  28

Supply voltage 85 to 260 V AC, 45 to 65 Hz
20 to 55 V AC, 45 to 65 Hz
16 to 62 V DC

Power consumption

- AC: 85 to 260 V = 18.2 VA; 20 to 55 V = 14 VA ; (including sensor)
- DC: 8 W (including sensor)

Switch-on current:

- Max. 8 A (<5 ms) at 24 V DC
- Max. 4 A (<5 ms) at 260 V AC

Power supply failure Lasting min. 1 power cycle:

- EEPROM/HistoROM/T-DAT saves measuring system data if the power supply fails.
- HistoROM S-DAT is an exchangeable data storage chip with sensor specific data: (pipe type, nominal diameter, serial number, flow conditioner, zero point, etc).
- Totalizer stops at the last value determined


Potential equalization No measures necessary.
For measuring devices in hazardous areas please refer to the additional Ex documentation.

Cable entry Power supply and signal cables (inputs/outputs):

- Cable entry M20 × 1.5 (8 to 12 mm (0.31 to 0.47 in))
- Threads for cable entries, ½" NPT, G ½"

Connecting cable for remote version:

- Cable entry M20 × 1.5 (8 to 12 mm (0.31 to 0.47 in))
- Threads for cable entries, ½" NPT, G ½"

Cable specifications (remote version) →  29

11.6 Performance characteristics

Reference conditions

- Traceable to National Standards
- Accredited according to ISO/IEC 17025
- Air-controlled to 24 °C ± 0.5 °C (75.2 °F ± 0.9 °F) at atmospheric pressure
- Humidity-controlled < 40% RH

Maximum measured error *t-mass 65F and t-mass 65I*
±1.5 % of reading for 100 % to 10 % of range (at reference conditions)
±0.15 % of full scale for 10 % to 1 % of range (at reference conditions)

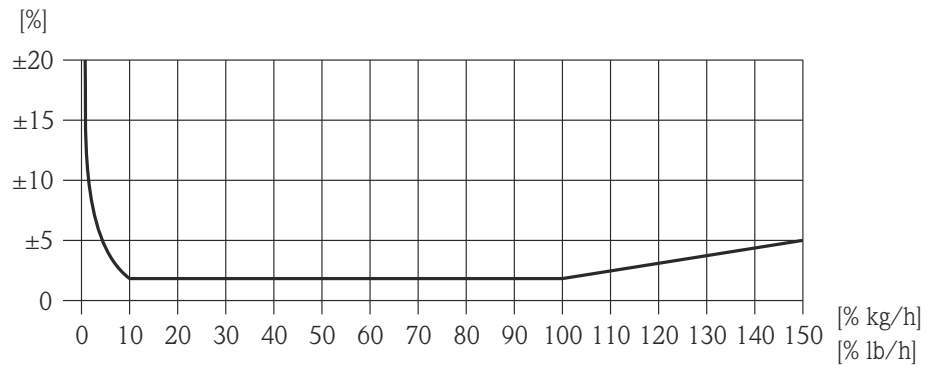


Fig. 45: Maximum measured error (% mass flow) as % of full scale value, see next table

A0021682

Order code for "Calibration flow" (not verified)	Performance characteristics	Description
G	Q = 100 to 150 %: ±1.5 to ±5 % of the current measured value increasing linearly as expressed in the following equation: $\pm 1.5 \pm (X_n - 100) \times 0.07 [\% \text{ o.r.}]$ (100 % < $X_n \leq 150$ %; X_n = current flow in % o.f.s.) Q = 10 to 100 % of full scale value ¹⁾ ±1.5 % o.r. Q = 1 to 10 % of full scale value ¹⁾ ±0.15 % o.f.s. (all data under reference conditions)	Factory calibration: The measuring device is calibrated and adjusted on an accredited and traceable calibration rig and its accuracy is certified in a calibration report (3 control points).
H	Q = 100 to 150 %: ±1.5 to ±5 % of the current measured value increasing linearly as expressed in the following equation: $\pm 1.5 \pm (X_n - 100) \times 0.07 [\% \text{ o.r.}]$ (100 % < $X_n \leq 150$ %; X_n = current flow in % o.f.s.) Q = 10 to 100 % of full scale value ¹⁾ ±1.5 % o.r. Q = 1 to 10 % of full scale value ¹⁾ ±0.15 % o.f.s. (all data under reference conditions)	Factory calibration + flow conditioner ²⁾ : The measuring device is calibrated and adjusted on an accredited and traceable calibration rig with a flow conditioner and its accuracy is certified in a calibration report (3 control points).

Order code for "Calibration flow" (not verified)	Performance characteristics	Description
K	Q = 100 to 150 %: ± 1.5 to ± 5 % of the current measured value increasing linearly as expressed in the following equation: $\pm 1.5 \pm (X_n - 100) \times 0.07$ [% o.r.] (100 % < $X_n \leq 150$ %; X_n = current flow in % o.f.s.) Q = 10 to 100 % of full scale value ¹⁾ ± 1.5 % o.r. Q = 1 to 10 % of full scale value ¹⁾ ± 0.15 % o.f.s. (all data under reference conditions)	5-point, traceable ISO/IEC17025: The measuring device is calibrated and adjusted on an accredited and traceable calibration rig and its accuracy is certified in a Swiss Calibration Services (SCS) calibration report (5 control points), which confirms traceability to the national calibration standard.
L	Q = 100 to 150 %: ± 1.5 to ± 5 % of the current measured value increasing linearly as expressed in the following equation: $\pm 1.5 \pm (X_n - 100) \times 0.07$ [% o.r.] (100 % < $X_n \leq 150$ %; X_n = current flow in % o.f.s.) Q = 10 to 100 % of full scale value ¹⁾ ± 1.5 % o.r. Q = 1 to 10 % of full scale value ¹⁾ ± 0.15 % o.f.s. (all data under reference conditions)	5-point, traceable ISO/IEC17025 + flow conditioner ²⁾ : The measuring device is calibrated and adjusted on an accredited and traceable calibration rig with a flow conditioner and its accuracy is certified in a Swiss Calibration Services (SCS) calibration report (5 control points), which confirms traceability to the national calibration standard.

1. The full scale value depends on the nominal diameter of the device and the maximum flow capacity of the calibration rig. The full scale values are listed in the following section.
2. A flow conditioner is also supplied.

Repeatability ± 0.5 % of reading for velocities above 1.0 m/s (0.3 ft/s)

Response time Typically less than 2 seconds for 63 % of a given step change (in either direction).

Influence of medium pressure (Pressure co-efficient) Air: 0.35 % per bar (0.02% per psi) of process pressure change

11.7 Installation

Installation section →  11

11.8 Environment

Ambient temperature range Standard: -20 to +60 °C (-4 to +140 °F)
 Optional: -40 to +60 °C (-40 to +140 °F)



Note!

- Install the device in a shady location. Avoid direct sunlight, particularly in warm climatic regions. (A protective sun cover is available on request)
- At ambient temperatures below -20 °C (-4 °F) the readability of the display may be impaired.

Storage temperature -40 to +80 °C (-40 to +176 °F), recommended +20 °C (+68 °F)

Degree of protection Standard: IP 67 (NEMA 4X) for transmitter and sensor

Shock resistance According to IEC 60068-2-31

Vibration resistance Acceleration up to 1 g, 10 to 150 Hz, following IEC 60068-2-6

Electromagnetic compatibility (EMC) To IEC/EN 61326 and NAMUR recommendation NE 21

11.9 Process

Medium temperature range

Sensor

t-mass F:
-40 to +100 °C (-40 to +212 °F)

t-mass I:
-40 to +130 °C (-40 to +266 °F)

Seals t-mass F

O-rings:
Viton FKM -20 to +100 °C (-4 to +212 °F)
Kalrez -20 to +100 °C (-4 to +212 °F)
EPDM -40 to +100 °C (-40 to +212 °F)

Bushing:
PEEK -40 to +100 °C (-40 to +212 °F)

Seals t-mass I

Bonded seals:
Kalrez -20 to +130 °C (-4 to +266 °F)
EPDM -40 to +130 °C (-40 to +266 °F)
Nitrile -35 to +130 °C (-31 to +266 °F)

Ferrule:
PEEK, PVDF -40 to +130 °C (-40 to +266 °F)

Note

We recommend special materials (Alloy and PVDF) for aggressive media (e.g. chlorine or ozone). Please contact your Endress+Hauser sales center for clarification.

Media

The following media and media mixtures can be measured. A mixture can consist of up to 8 components from the following list.

AIR AMMONIA ARGON BUTANE CARBON DIOXIDE CARBON MONOXIDE CHLORINE	ETHANE ETHYLENE HELIUM 4 HYDROGEN NORMAL HYDROGEN CHLORIDE HYDROGEN SULFIDE KRYPTON	METHANE NEON NITROGEN OXYGEN PROPANE XENON
--	---	---

Note

Other media (e.g. ozone) available on request. Contact your Endress+Hauser sales center for clarification.

Pressure-temperature ratings



Note!

An overview of the pressure-temperature ratings for the process connections is provided in the Technical Information

Flow limit

See "Measuring range" section → 88.
The velocity in the measuring tube should not exceed 130 m/s (427 ft/s), (in air).

Pressure loss

Negligible (without flow conditioner).
Refer to Applicator for the precise calculation → 70

Medium pressure range (nominal pressure)

t-mass F:
-0.5 to 40 bar gauge (-7.25 to 580 psi gauge)
t-mass I:
-0.5 to 20 bar gauge (-7.25 to 290 psi gauge)

Limiting medium pressure range (nominal pressure)

The material load diagrams (pressure-temperature ratings) for the process connections are provided in the separate "Technical Information" document for the particular measuring device. This can be downloaded as a PDF file at www.endress.com.
A list of the "Technical Information" documents: → 99

Hot tap, process pressure

The Hot tap for mounting and removal at process pressure may only be used with non-toxic, innocuous gases classified as "Group II" in accordance with European Directive 67/548/EEC Art. 2.

Medium pressure version

Max. process pressure: 20 barg (290 psig)
Max. extraction press: 16 barg (230 psig)
Max. extraction temperature: +50 °C (+122 °F)
Min. sensor length: 435 mm (17 in)

Low pressure version

Max. process pressure: 20 barg (290 psig)
Max. extraction press: 4.5 barg (65 psig)
Max. extraction temperature: +50 °C (+122 °F)
Min. sensor length: 335 mm (13 in)

Cold tap, atmospheric pressure

Cold tap for mounting and removal at atmospheric pressure
Max. process pressure: 20 barg (290 psig)
Max. extraction pressure: 1 bar(a) (14.5 psia)
Max. extraction temperature: +50 °C (+122 °F)
Min. sensor length: 335 mm (13 in)

11.10 Mechanical construction

Design / dimensions

Dimensions and the fitting lengths of the transmitter and sensor are provided in the separate "Technical Information" document on the device in question. This can be downloaded as a PDF file from www.endress.com.

A list of the "Technical Information" documents: →  99

Weight

- Wall-mount housing of remote version: 5 kg (11 lb)

Weight (SI units)

t-mass F* / DN	15	25	40	50	80	100
Compact version	7.5	8.0	12.5	12.5	18.7	27.9
Remote version	5.5	6.0	10.5	10.5	16.7	25.9

Weight dimensions in [kg]

* For flanged versions, all values (weight) refer to measuring devices with EN/DIN PN 40 flanges.

t-mass I / sensor length [mm]	235	335	435	608
Compact version	6.4	6.6	7.0	7.4
Remote version	4.4	4.6	5.0	5.4

Weight dimensions in [kg]

Weight (US units)

t-mass F* / DN [inch]	½"	1"	1½"	2"	3"	4"
Compact version	16.5	17.6	27.5	27.5	41.2	61.5
Remote version	12.1	13.2	23.1	23.1	36.7	57.1

Weight dimensions in [lb]

* For flanged versions, all values (weight) refer to measuring devices with "CI 150" flanges.

t-mass I / sensor length [inch]	9.25"	13.2"	17.1"	24.0"
Compact version	14.1	14.5	15.4	16.3
Remote version	9.7	10.1	11.0	11.9

Weight dimensions in [lb]

Materials

Transmitter housing

- Compact housing: powder coated die-cast aluminum
- Wall-mount housing: powder coated die-cast aluminum
- Remote field housing: powder coated die-cast aluminum

Connection housing, sensor (remote version)

Powder coated die-cast aluminum

t-mass F sensor

Measuring tube:

- In contact with medium:
 - DN 15 to 25 (½ to 1"): stainless cast steel CF3M-A351
 - DN 40 to 100 (1 ½ to 4"): 1.4404 (316/316L)
- Not in contact with medium:
 - 1.4301 (304)

Flanges (process connections):

Stainless steel 1.4404 (316L/316)

Transducer:

- 1.4404 (316L)
- Alloy C22, 2.4602 (N06022)

Transducer elements:

- 1.4404 (316L) or
- 1.4404 (316L)
- Alloy C22, 2.4602 (N06022)

Bushing:

PEEK GF30, PVDF

O-rings:

EPDM, Kalrez 6375, Viton FKM

t-mass I sensor

Insertion tube:

- Sensor length 235 (9"), 335 (13"), 435 (17"), 608 (24")
- 1.4404 (316/316L)
- Special lengths and full Alloy C22 versions on request

Transducer:

- 1.4404 (316L)
- Alloy C22, 2.4602 (N06022)

Protection guard:

1.4404 (316L)

Compression fitting:

1.4404 (316/316L)

Ferrule:

PEEK 450G, PVDF (on request)

Bonded seals:

EPDM, Kalrez 6375, Nitrile and 316/316L (outer ring)

Hot tap, process pressure

Lower tube section:

1.4404 (316/316L)

Upper tube section:

1.4404 (316/316L)

Ball valve:

CF3M and CF8M

Seal:

PTFE

Cold tap, atmospheric pressure

Lower tube section:

1.4404 to EN 10272 and 316/316L to A479

Upper tube section:

1.4404 to EN 10216-5 and 316/316L to A312

Ball valve:

CF3M and CF8M

Seal:

PTFE

Process connections

For both the flanged and insertion meters it is possible to have wetted parts degreased for oxygen service. Further information is available from your Endress+Hauser sales center.

t-mass F:

Flanges according EN 1092-1, JIS B2220 and ASME B16.5

t-mass I:

G 1A or 1" MNPT thread

11.11 Operability

Display elements

- Liquid crystal display: illuminated, two lines with 16 characters per line
- Selectable display of different measured values and status variables
- At ambient temperatures below -20 °C (-4 °F) the readability of the display may be impaired.

Operating elements

- Local operation with three keys (□, +, E)
- Quick Setup menus for straight forward commissioning

Languages

English, German, French, Spanish, Italian, Dutch, Norwegian, Finnish, Swedish, Portuguese, Polish, Czech

11.12 Certificates and approvals

CE mark

The measuring system is in conformity with the statutory requirements of the applicable EC Directives. These are listed in the corresponding EC Declaration of Conformity along with the standards applied.

Endress+Hauser confirms successful testing of the device by affixing to it the CE mark.

C-Tick mark

The measuring system meets the EMC requirements of the Australian Communications and Media Authority (ACMA).

Ex approval

Information about currently available Ex versions (ATEX, FM, CSA etc.) is available from your Endress+Hauser sales center. All explosion protection data are given in a separate documentation which is available upon request.

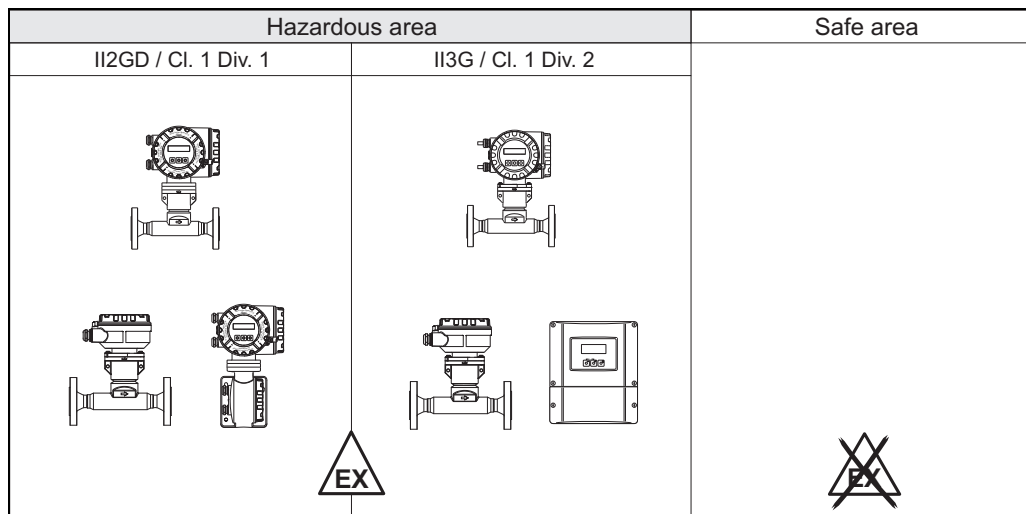


Fig. 46: Example of t-mass devices in the hazardous area (Example t-mass 65F)

PROFIBUS DP/PA certification

The flowmeter has passed all the test procedures implemented and has been certified and registered by the PNO (PROFIBUS User Organization). The flowmeter thus meets all the requirements of the specifications listed below:

- Certified in accordance with PROFIBUS Profile Version 3.0 (device certification number: available on request)
- The device can also be operated in conjunction with other-make certified devices (interoperability).

Pressure measuring device approval

- With the identification PED/G1/x (x = category) on the sensor nameplate, Endress+Hauser confirms conformity with the "Essential safety requirements" of Appendix I of the Pressure Equipment Directive 97/23/EC.
- Devices with this identification (with PED) are suitable for the following types of fluid: Fluids of Group 1 and 2 with a steam pressure of greater than, or smaller and equal to 0.5 bar (7.3 psi).
- Devices without this identification (without PED) are designed and manufactured according to good engineering practice. They correspond to the requirements of Art. 3, Section 3 of the Pressure Equipment Directive 97/23/EC. Their application is illustrated in Diagrams 6 to 9 in Appendix II of the Pressure Equipment Directive 97/23/EC.

Oxygen service

For oxygen applications with the order code for "Surface cleaning" option B "Certified and cleaned of oil and grease"
 We certify that the wetted parts of the flow sensor have been degreased in accordance with British Oxygen Company (BOC) specification 50000810 and BS-IEC-60877:1999. After final degreasing there shall be less than 100 milligram/m² (0.01 milligram/cm²) of oil/grease contamination on the degreased surface of the component.

Other standards and guidelines

- BS IEC 60877:1999
Procedures for ensuring the cleanliness of industrial-process measurement and control equipment in oxygen service.
- EN 60529
Degrees of protection by housing (IP code)
- EN 61010-1
Safety requirements for electrical equipment for measurement, control and laboratory use.
- IEC/EN 61326
"Emission in accordance with requirements for Class A".
Electromagnetic compatibility (EMC- requirements).
- EN 91/155/EEC
Safety Data Sheets Directive.
- ISO/IEC 17025
General requirements for the competence of testing and calibration laboratories.
- ISO 14511
Measurement of fluid flow in closed conduits - Thermal mass flowmeters.
- NAMUR NE 21
Electromagnetic compatibility (EMC) of industrial process and laboratory control equipment.
- NAMUR NE 43
Standardization of the signal level for the breakdown information of digital transmitters with analogue output signal.
- NAMUR NE 53
Software of field devices and signal-processing devices with digital electronics

11.13 Ordering information

The Endress +Hauser sales center can provide detailed ordering information and information on the extended order code.

11.14 Accessories

Various accessories, which can be ordered separately from Endress+Hauser, are available for the transmitter and the sensor →  69

11.15 Documentation

- ▶ Technical Information t-mass 65F, 65I (TI00069D/06)
- ▶ Description of Device Functions t-mass 65 (BA00114D/06)
- ▶ Supplementary documentation on Ex-ratings: ATEX, FM, CSA, IECEx, NEPSI
- ▶ Flow measuring technology (FA00005D/06/)

Index

A

Accessories	69
Ambient temperature	92
Applications	5
Applicator (selection and sizing software)	70
Approvals	10, 97

C

Cable entry	
Degree of protection	33
Technical data	90
Cable specification, connecting cable	29
Cable specifications (remote version)	29
Calibration	
In-situ	68
Reference conditions	90
CE mark	97
CE mark (declaration of conformity)	10
Certificates	10, 97
Certificates and approvals	10
Cleaning	
External cleaning	67
Pipe cleaning	67
Transducer cleaning	67
Code entry (function matrix)	37
Commissioning	51
One current output	61
Two current outputs	62
Commubox FXA 191 (electrical connection)	33
Communication	39
Connecting the measuring unit	30
Connecting the remote version	28
Connection	
See Electrical connection	
C-Tick mark	10, 97
Current input	
Configuration active/passive	63
Current output	
Technical data	89
Current output, one	
Configuration active/passive	61
Current outputs, two	
Configuration active/passive	62

D

Data back-up (of device data with T-DAT)	58
Data storage device (HistoROM)	66
Declaration of conformity (CE mark)	10
Degree of protection	33, 93
Designated use	5
Device description files	40
Device designation	7, 88
Device functions	
See "Description of Device Functions" manual	
Display	
Turning the display	24

Documentation	99
---------------------	----

E

Electrical connection	
Cable specifications (remote version)	29
Commubox FXA 191	33
Degree of protection	33
HART handheld terminal	32
Remote version	28
Error messages	
Confirming error messages	38
System error (device error)	72
Error response (inputs/outputs)	78
Error types (system and process errors)	38
Ex approval	98

F

Field Xpert SFX100	32, 39
FieldCare	39
Fieldcheck (tester and simulator)	70
Flow conditioner	16
Function check	50
Function description	
See "Description of Device Functions" manual	
Function matrix	
(Brief operating instructions)	36
Fuse, replacing	85

G

Galvanic isolation	89
Gas analyzer	60
Gas mixture	5
Gas pressure	56
Gas programming	54
Gas properties	5

H

HART	
Command classes	39
Command No.	41
Device status, error messages	46
Electrical connection	32
Error messages	41
Handheld terminal	39
HART connection	32
Heat flow	56
Heat quantity	56
HistoROM	
S-DAT (sensor DAT)	66
T-DAT (transmitter DAT)	66
HOME position (operating mode)	35

I

Identification	7
Incoming acceptance	11
Inlet and outlet runs	15
Input signal	89

Insertion depth.....	19	P	
Insertion sensor		Pipe cleaning	67
Insertion depth.....	19	Pipework requirements	13
Installation	19	Post-connection check	34
Installation	11	Post-installation check	27
Insertion sensor	19	Post-installation check (checklist)	27
See Installation conditions		Power consumption	90
Welding boss	19	Power supply (supply voltage).....	90
Installation conditions	12	Power supply failure	90
Dimensions.....	12	Pressure	
Installation, commissioning and operation	5	Limiting medium pressure range	94
Installing the wall-mount transmitter housing	25	Medium pressure (Influence).....	92
		Medium pressure range	94
L		Process pressure	56
Languages.....	97	Quick Setup	56
Limiting flow		System pressure.....	12
See Measuring range		Pressure co-efficient.....	92
Load.....	89	Pressure compensation input	59
Low flow cut off.....	89	Pressure loss (formulas, pressure loss diagrams).....	94
Low pressure mounting set	23	Pressure measuring device approval.....	98
		Pressure measuring points.....	16
M		Printed circuit boards (installation/removal)	
Maintenance	67	Field housing	80, 84
Material	95	Wall-mount housing.....	82
Materials.....	95	Process error	
Maximum measured error	90	Definition	38
Measured variable	88	Process error messages	76
Measuring principle	88	Process errors without messages	76
Measuring range	88	Process pressure, programming	56
Measuring system	7, 88	Product safety	6
Medium pressure (Influence).....	92	Programming mode	
Medium pressure range	94	Enabling	37–38
Medium temperature range.....	93	Pulsating flow	12
		Q	
N		Quick Setup	
Nameplate		Commissioning	51
Connections	9	Gas programming	54
Sensor	8	Heat flow	56
Transmitter.....	7	Pressure	56
Net/gross calorific value.....	56	Sensor.....	53
		R	
O		Recalibration	68
Operating conditions.....	92	Registered trademarks.....	10
Operating options	39	Removal	23
Operation	35	Repeatability	92
Device description files	40	Replacement	
Field Xpert HART handheld terminal	39	Printed circuit boards (installation/removal) 80, 82, 84	
FieldCare	39	Replacing	
Function matrix	36	Seals	68
Operational safety	6	Response of outputs to errors	78
Order code		Response time	88, 92
Accessories	69		
Sensor	9	S	
Transmitter.....	7–8	Safety icons	6
Ordering information	99	Safety instructions.....	6
Orientation.....	14	S-DAT (sensor DAT)	66
Outlet runs with pressure measuring points	16	Seals	
Output signal	89		
Oxygen service.....	98		

Materials	95
Medium temperature range	93
Replacing, replacement seals	68
Sensor heating	18
Sensor installation	
See Installation conditions	
Sensor setup	53
Serial number	7–9
Shock resistance	93
Signal on alarm	89
Software	
Amplifier display	50
Versions (history)	87
Spare parts	79
Status input	
Technical data	89
Status output	89
Storage	11
Storage temperature	93
Supplementary Ex documentation	6
Supply voltage (power supply)	90
Switching on the measuring device	50
Switching output	89
System error	
Definition	38
System error messages	72
System pressure	12, 94

T

T-DAT (HistoROM)	
Save/load (data back-up, e.g. for replacing devices)	58
T-DAT (transmitter DAT)	66
Technical data	88
Temperature range	
Ambient temperature range	92
Environment	92
Medium	93
Medium temperature range	93
Storage	93
Storage temperature	93
Terminal assignment	30
Thermal insulation	18
Transducer cleaning	67
Transmitter	
Electrical connection	31
Installing the wall-mount transmitter housing	25
Turning the field housing (aluminum)	24
Transmitter connection	31
Transport	11
Transporting the sensor	11
Trouble-shooting	71
Trouble-shooting and remedy	71
Trouble-shooting instructions	71
Turning the local display	24
Turning the transmitter housing	24

U

Universal / Common practice HART commands	41
---	----

V

Vibration resistance	93
See "Vibration resistance"	
Vibrations	18, 93

W

Wall-mount housing, installing	25
Weight	95
Welding boss	19
Wiring	28

Z

Zero point adjustment	65–66
-----------------------------	-------

www.addresses.endress.com
