



Level



Pressure



Flow



Temperature



Liquid
Analysis



Registration



Systems
Components



Services



Solutions

Operating instructions

Cleanfit CPA474

Retractable Process Assembly

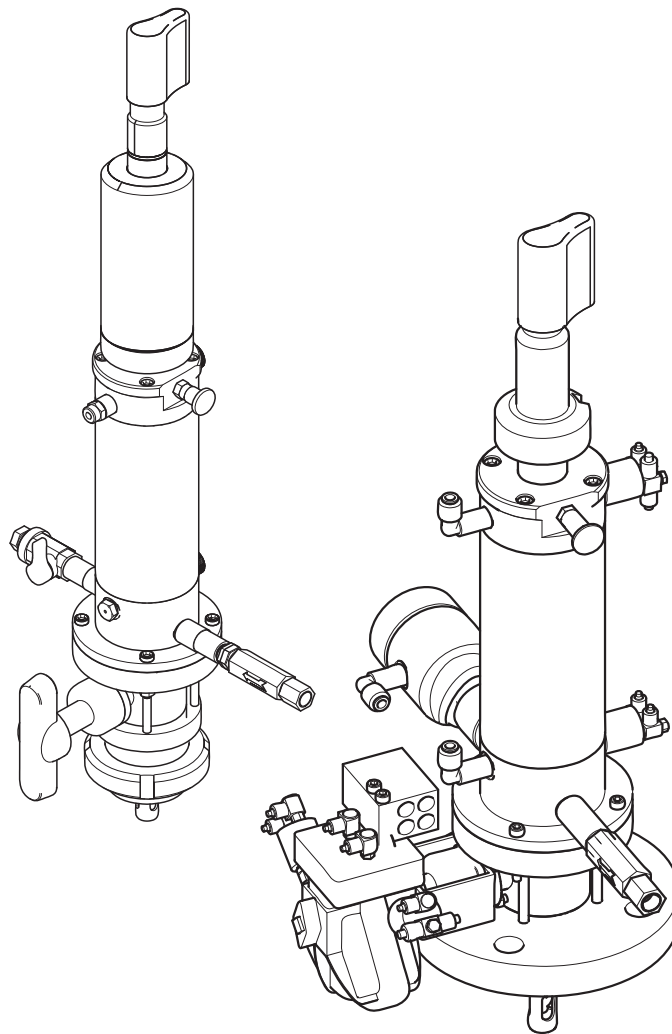


Table of contents

1	Safety instructions	4	6	Accessories	34
1.1	Designated use	4	6.1	Process adapter	34
1.2	Installation, commissioning and operation	4	6.2	Packing sleeve	34
1.3	Operational safety	4	6.3	Water filter and pressure reducer	35
1.4	Return	4	6.4	Rinse connection adapter	35
1.5	Notes on safety icons and symbols	5	6.5	Flow assembly	35
2	Identification	6	6.6	Pneumatic throttle	35
2.1	Nameplate	6	6.7	Hose connectors for rinse chamber	35
2.2	Scope of delivery	6	6.8	Limit position switches	35
2.3	Certificates and approvals	6	6.9	Inlet and outlet safety seal	36
2.4	Product structure	7	6.10	Sensors	36
3	Installation	8	6.10.1	Glass electrodes	36
3.1	Incoming acceptance, transport, storage	8	6.10.2	ISFET sensors	37
3.2	Installation conditions	8	6.11	Measuring cables	37
3.2.1	Notes on installation	8	6.12	Transmitters	37
3.2.2	Dimensions	9	6.13	Measuring, cleaning and calibration systems	37
3.2.3	Process connections	10	7	Trouble-shooting	38
3.2.4	Process pressure	10	7.1	Replacing damaged parts	38
3.2.5	Sealing system	12	7.2	Replacing parts without process interrupt	38
3.2.6	Sealing-water function	12	7.3	Replacing parts with process interrupt	38
3.2.7	Scraper function	13	7.4	Spare part kits	39
3.3	Installation instructions	14	7.5	Return	42
3.3.1	Measuring system	14	7.6	Disposal	42
3.3.2	Installing the assembly into the process	14	8	Technical data	43
3.3.3	Compressed air connection	15	8.1	Environment	43
3.3.4	Rinse water connection	17	8.2	Process	43
3.3.5	Sensor installation	20	8.3	Mechanical construction	44
3.4	Post-installation check	22	Index	45	
4	Operation	23			
4.1	First commissioning	23			
4.2	Operating elements	23			
4.3	Manual operation	23			
4.4	Pneumatic operation	24			
4.4.1	Indication of the ball-valve position	25			
4.4.2	Moving from "Service" position into "Measuring" position	26			
4.4.3	Moving from "Measuring" position into "Service" position	27			
5	Maintenance	28			
5.1	Cleaning the assembly	28			
5.1.1	Manually operated assembly	28			
5.1.2	Pneumatically operated assembly	28			
5.2	Cleaning the sensor	28			
5.3	Cleaning agents	29			
5.4	Notes on calibration	29			
5.5	Replacing seals	30			

1 Safety instructions

1.1 Designated use

The manually or pneumatically operated retractable assembly Cleanfit CPA474 is designed for installing pH/redox sensors in tanks and pipes.

Its mechanical design permits its use in pressurized systems (see "Technical data").

The operation of the assembly outside the specified temperature and pressure ranges can result in personal injury and material damage.

Any other use than the one described here compromises the safety of persons and the entire measuring system and is not permitted.

The manufacturer is not liable for damage caused by improper or non-designated use.

1.2 Installation, commissioning and operation

Please note the following items:

- Installation, commissioning, operation and maintenance of the measuring system must only be carried out by trained technical personnel.
Trained personnel must be authorized for the specified activities by the system operator.
- Electrical connection must only be carried out by a certified electrician.
- Technical personnel must have read and understood these Operating Instructions and must adhere to them.
- Before commissioning the entire measuring point, check all the connections. Ensure that electrical cables and hose connections are not damaged.
- Do not operate damaged products and secure them against unintentional commissioning.
Mark the damaged product as being defective.
- Measuring point faults may only be rectified by authorized and specially trained personnel.
- If faults can not be rectified, the products must be taken out of service and secured against unintentional commissioning.
- Repairs not described in these Operating Instructions may only be carried out at the manufacturer's or by the service organization.

1.3 Operational safety

The assembly has been designed and tested in accordance with the latest industry standards and left the factory in perfect functioning order.

Relevant regulations and standards have been met.

As the user, you are responsible for complying with the following safety conditions:

- Installation instructions
- Local prevailing standards and regulations.

1.4 Return

If the assembly has to be repaired, please return it **cleaned** to the appropriate sales center. Please use the original packaging, if possible.

Please enclose the completed "Declaration of Hazardous Material and De-Contamination" (copy the second last page of these Operating Instructions) with the packaging and the transportation documents.

No repair without completed "Declaration of Hazardous Material and De-Contamination"!

1.5 Notes on safety icons and symbols



Warning!

This symbol alerts you to hazards that can cause serious damage to the instrument or to persons if ignored.



Caution!

This symbol alerts you to possible faults which could arise from incorrect operation. They could cause damage to the instrument if ignored.



Note!

This symbol indicates important items of information.

2 Identification

2.1 Nameplate

You can identify the assembly version by the order code on the nameplate. Please compare this code with your order.

On the nameplate you will find the following information:

- Order code
- Serial number
- Permissible pressure
- Permissible temperature

You can find possible assembly versions and the resulting order codes in the product structure.

2.2 Scope of delivery

The scope of delivery comprises:

- Cleanfit assembly (ordered version)
- Operating Instructions (English)

If you have any questions, please contact your supplier or your local sales center.

2.3 Certificates and approvals

Inspection certificate 3.1 acc. to EN 10204 on demand.

2.4 Product structure

Assembly drive, ball valve										
A	Assembly + ball valve: manual (convertable to pneumatic)									
B	Assembly: pneumatic, ball valve: manual, without limit position switches (retrofittable)									
C	Assembly: pneumatic, ball valve: manual, with pneumatic limit position switches									
D	Assembly: pneumatic, ball valve: manual, with electric limit position switches (Ex and Non-Ex)									
E	Assembly + ball valve: pneumatic, with pneumatic limit position switches									
F	Assembly + ball valve: pneumatic, with electric limit position switches (Ex and Non-Ex)									
Y	Special version acc. to customer specification									
Assembly version										
1	Version with plastic (PA) cylinder with PEEK scraper: max. 6 bar (87 psi)									
2	Version with stainless steel cylinder with PEEK scraper: max. 10 bar (145 psi)									
3	Version with plastic (PA) cylinder without PEEK scraper: max. 6 bar (87 psi), i.e. the rinse chamber is not sealed off the medium!									
4	Version with stainless steel cylinder with PEEK scraper: max. 10 bar (145 psi), i.e. the rinse chamber is not sealed off the medium!									
9	Special version acc. to customer specification (packing sleeve, see chapter "Accessories")									
Electrode type										
A	For gel electrodes and pH ISFET sensors with Pg 13.5									
B	For liquid KCl electrodes and ISFET sensors with Pg 13.5 and hose connection head (type ESS)									
Y	Special version acc. to customer specification									
Immersion depth										
1	Short version up to 71 mm (2.8 inches) with PA cylinder (possible sensor lengths: type A = 225 mm (8.9 inches), type B = 425 mm (16.7 inches)) Assembly versions 1 and 3 only!									
2	Short version up to 71 mm (2.8 inches) with stainless steel 1.4404 (AISI 316L) cylinder (possible sensor lengths: type A = 225 mm (8.9 inches), type B = 425 mm (16.7 inches)) Assembly versions 2 and 4 only!									
3	Long version up to 207 mm (8.15 inches) with PA cylinder (possible sensor lengths: type A = 360 mm (14.2 inches)) Assembly versions 1 and 3 only!									
4	Long version up to 207 mm (8.15 inches) with stainless steel 1.4404 (AISI 316L) cylinder (possible sensor lengths: type A = 360 mm (14.2 inches)) Assembly versions 2 and 4 only!									
9	Special version acc. to customer specification									
Assembly material (in contact with medium)										
A	Sensor holder: PP, ball valve: PP (max. 80°C (176 °F))									
B	Sensor holder: PEEK, ball valve: PVDF (max. 130°C (266 °F))									
C	Sensor holder: PVDF, ball valve: PVDF (max. 130°C (266 °F))									
Y	Special version acc. to customers specification									
Seal material (in contact with medium)										
1	EPDM (for food applications preferred)									
2	FPM (Viton®, for process applications preferred)									
3	Perfluoroelastomer									
9	Special version acc. to customer specification									
Process connection										
D	Thread adapter nut DN 50 (for flow assembly CPA240), immersion depth 1,2 only									
G	Flange DN 50, PN 16									
H	Flange ANSI 2", 150 lbs									
Y	Special version acc. to customer specification									
Optional equipment										
3	With pneumatic inlet/outlet safety seal (2 x G ¼ internal thread / PVDF safety plug)									
4	With pneumatic inlet/outlet safety seal (2 x NPT ¼" internal thread / PVDF safety plug)									
5	With manual inlet/outlet safety seal (2 x G ¼ internal thread / PVDF safety plug)									
6	With manual inlet/outlet safety seal (2 x NPT ¼" internal thread / PVDF safety plug)									
7	With rinse connection sockets, 2 x G ¼ internal thread (version 1, 2 only!) (with PVDF safety plug)									
8	With rinse connection sockets 2 x NPT ¼" internal thread (version 1, 2 only!) (with PVDF safety plug)									
9	Special version acc. to customer specification									
CPA474-										complete order code

3 Installation

3.1 Incoming acceptance, transport, storage

- Make sure the packaging is undamaged!
Inform the supplier about any damage to the packaging.
Keep the damaged packaging until the matter has been settled.
- Make sure the contents are undamaged!
Inform the supplier about damage to the contents. Keep the damaged products until the matter has been settled.
- Check that the order is complete and agrees with your shipping documents.
- The packaging material used to store or to transport the product must provide shock protection and humidity protection. The original packaging offers the best protection. Also, keep to the approved ambient conditions (see "Technical data").
- If you have any questions, please contact your supplier or your local sales center.

3.2 Installation conditions

3.2.1 Notes on installation

The assembly is designed for installation on tanks and pipes. Suitable nozzles must be available for this.

Consider the specified pressure and temperature ranges in the chapter "Technical data".



Note!

- When using standard glass sensors, only installation positions are permitted in which the middle axis of the assembly lies at a minimum angle of 15° from the horizontal (see diagram).
Otherwise, there will not be a reliable contact between the inner side of the pH membrane and the inner terminal leads via the electrolytes.
- When using an ISFET Tophit sensor, there are, in principle, no restrictions for the installation position. An installation angle of 0 to 180° is, however, recommended. An overhead installation is possible.

A	Glass electrode:	Installation angle of at least 15° from the horizontal
B	ISFET pH-sensor Tophit:	No restrictions, recommended 0 ... 180°

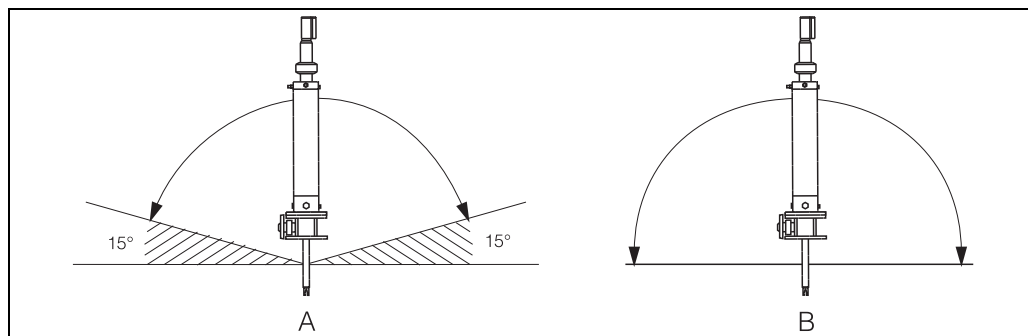


Fig. 1: Permitted orientations depending on the sensor used



Caution!

- For all assemblies with stainless steel pressure cylinders, we recommend to use a flanged version when installing with inclined orientation. Otherwise, the weight of the assembly could affect the safety of the process connection.
- Avoid a siphon effect¹⁾ at the rinse chamber outlet when installing with inclined orientation. The inlet to the rinse chamber must be from below.

1) Siphon effect: line emptied by vacuum



Note!

- The minimum diameter for direct installation in pipework is DN 50. This diameter is required so that the assembly has sufficient distance from the pipe wall when brought into the "Measuring" position.
- When designing the installation nozzle, please observe the total immersion depth in operation (sensor holder not inserted). Ensure that the sensor is always immersed in the medium in operation (see "Dimensions").

3.2.2 Dimensions

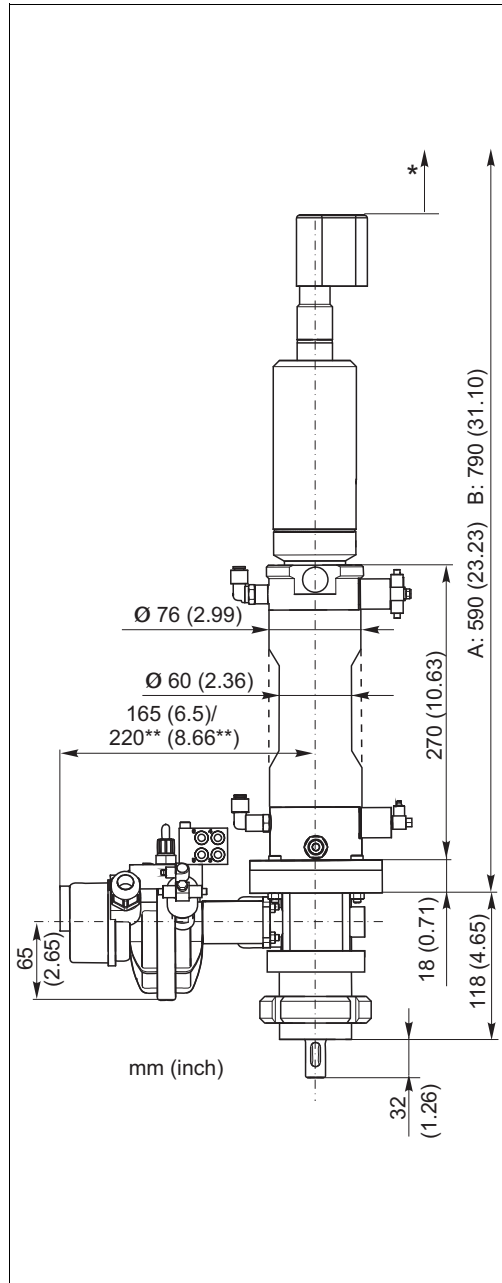


Fig. 2: Assembly version: pneumatic, short, for KCl sensors, thread adapter nut

- * Stroke
- ** Version with electric limit position switches

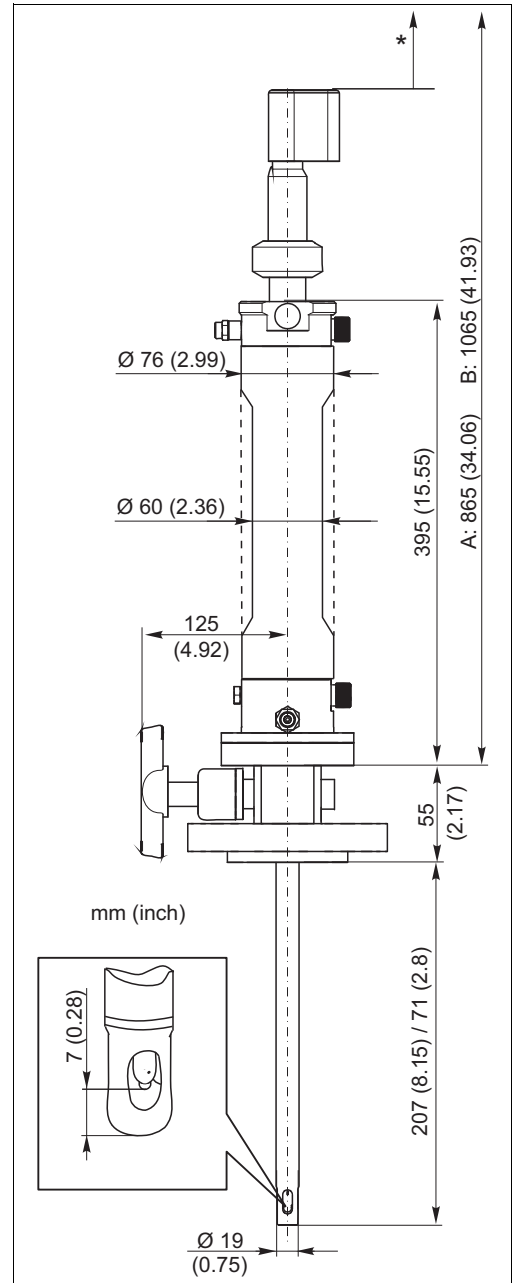


Fig. 3: Assembly version: manual, long, for gel sensors, flange

- Short version / long version
- A Assembly in service position
- B Assembly in service position plus required mounting clearance
- * Stroke

3.2.3 Process connections

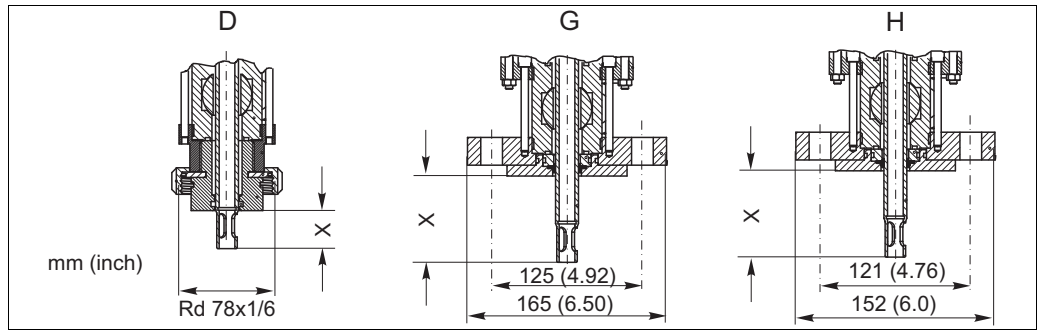


Abb. 4: Process connections

Process connection		X short version	X long version
D	Thread adapter nut DN 50	32 mm (1.26")	Not applicable
G	Flange DN 50	71 mm (2.80")	207 mm (8.15")
H	Flange ANSI 2"	71 mm (2.80")	207 mm (8.15")

3.2.4 Process pressure

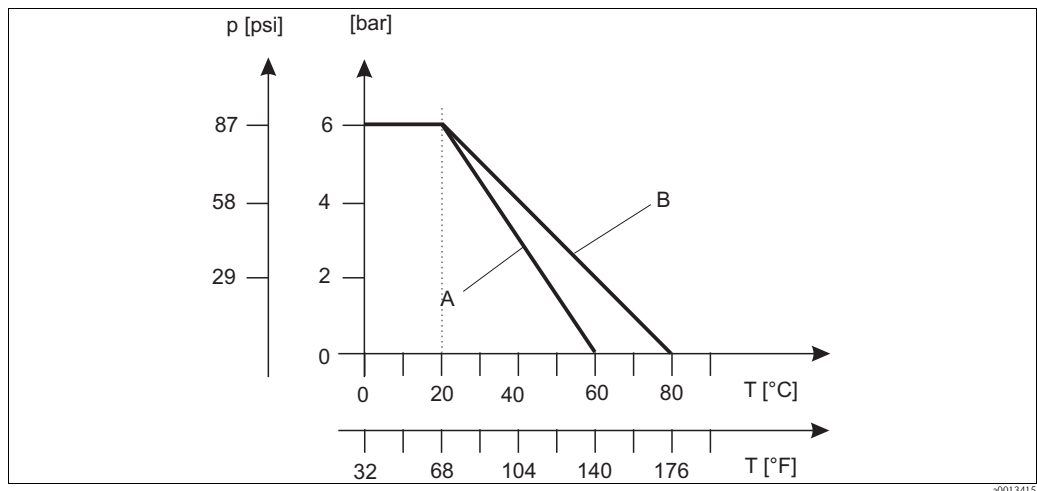


Fig. 5: Pressure-temperature diagram CPA474 version with plastic pressure cylinder (PA)

- A Electrode holder + ball valve PP
- B Electrode holder PEEK/PVDF, ball valve PVDF

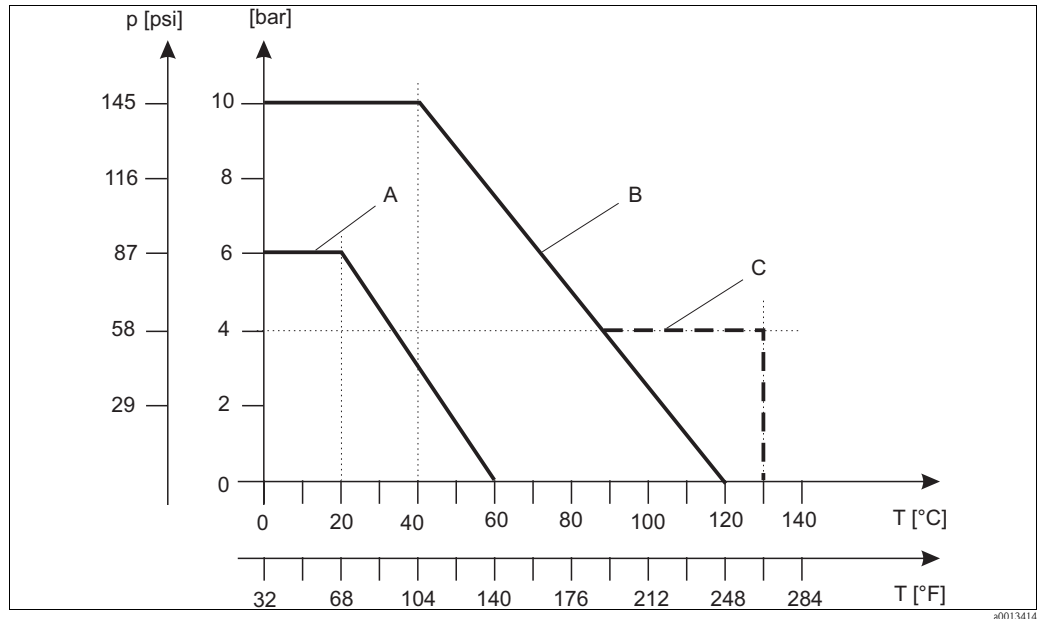


Fig. 6: Pressure-temperature diagram CPA474 version with stainless steel pressure cylinder

A Electrode holder + ball valve PP

B Electrode holder PEEK/PVDF, ball valve PVDF

C Electrode holder PEEK/PVDF, ball valve PVDF, short time (max. 1 hr)



Caution!

During insertion/retraction the process pressure may not exceed 4 bar (58 psi) with manually actuated assemblies.

3.2.5 Sealing system

Both O-rings (pos. 1) perform the sealing function between the pneumatical drive and the rinse chamber.

The process side of the ball valve is optionally equipped with a scraper (see "product structure").



Caution!

When the assembly is in the service position and the ball valve is open, the process pressure acts on the rinse connections. Therefore the rinse connections must be equipped with inlet and outlet safety seal.

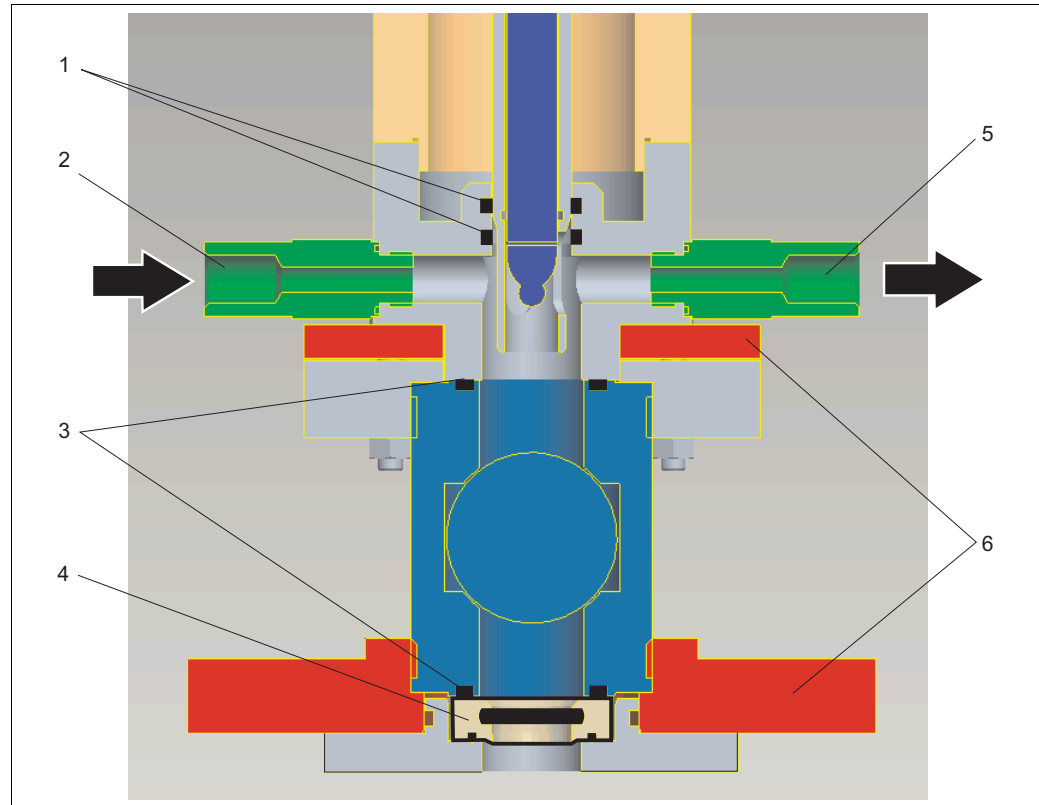


Fig. 7: Sealing system and chamber design

- 1 Sealing between pneumatic drive / rinse chamber with 2 O-rings
- 2 Rinse chamber inlet
- 3 Sealing of the ball valve with 2 O-rings
- 4 Scraper PEEK with 2 O-rings
- 5 Rinse chamber outlet with manual or pneumatic outlet safety seal
- 6 Stainless steel flange (version with stainless steel cylinder)

3.2.6 Sealing-water function

For the sealing-water function the assembly must be equipped with a pneumatic outlet safety seal for rinse chamber outlet (see chapter "Accessories").

3.2.7 Scraper function

The scraper rings are especially recommended in the following cases:

- If the rinse chamber, otherwise open to the process, should be protected during operation.
- If material sticking to the electrode holder (caused by the medium) should be scraped off when moving to service mode.

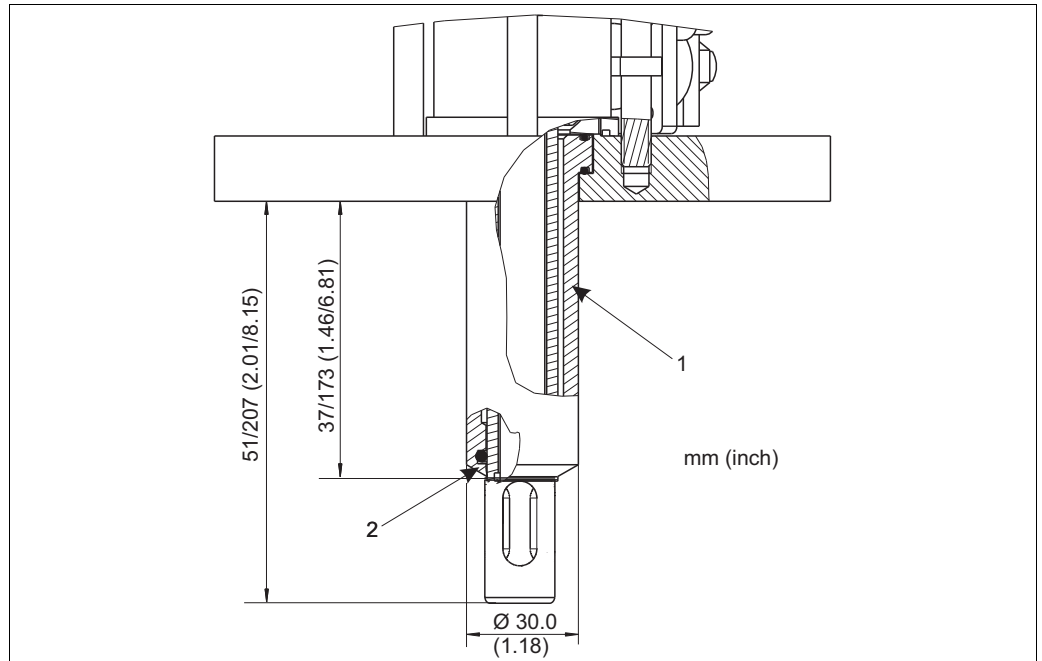


Fig. 8: Packing sleeve (short/long immersion depth)

- 1 Sleeve (PEEK)
- 2 Scraper of sleeve with O-ring

3.3 Installation instructions

3.3.1 Measuring system

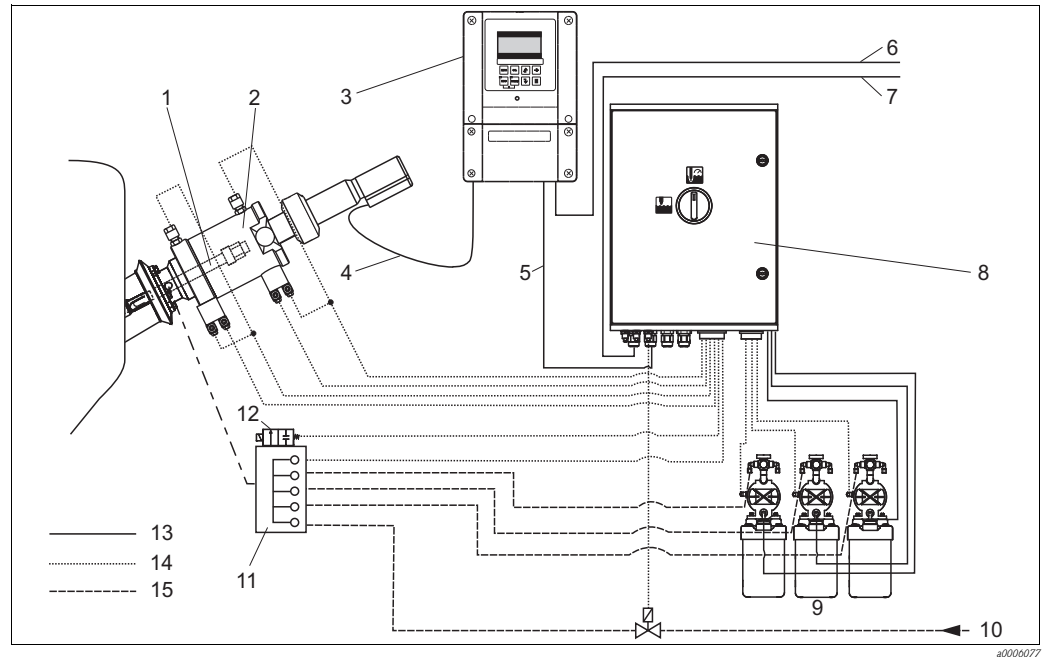


Abb. 9: Measuring system with pneumatic control

- | | | | |
|---|------------------------------------|----|---|
| 1 | pH/ORP sensor | 9 | Canisters for cleaning and buffer solutions |
| 2 | Assembly Cleanfit | 10 | Superheated steam/water/cleaning solutions (optional) |
| 3 | Transmitter Mycom S CPM153 | 11 | Rinse block |
| 4 | Special measuring cable | 12 | Rinse water valve |
| 5 | Communication and extension cables | 13 | Power/signal cable |
| 6 | Power supply Mycom | 14 | Air hoses |
| 7 | Power supply CPG310 | 15 | Medium |
| 8 | Control unit CPG310 | | |

3.3.2 Installing the assembly into the process

1. Move the assembly into the "Service" position (electrode holder inserted in the assembly).
2. Secure the assembly to the tank or the piping using your selected process connection.
3. Follow the instructions for compressed air and rinse water connection (if used) given in the following chapters.



Warning!

Danger of injury!

Never insert the assembly into measuring position if no sensor is installed. Medium could leak out.



Note!

Depending on the process connection, please observe the following:

- Check the flange seal between the flanges before installing the assembly.
- The thread adapter nut of thread G 1¼ does not function as a seal. Therefore, simply tighten the thread adapter nut by hand.

3.3.3 Compressed air connection

Pneumatic connections

Requirements:

- air pressure of 4 to 6 bar (60 to 90 psi)
- air must be filtered (40 µm) and be free of water and oil
- no continuous air consumption
- minimum nominal diameter of the air lines: 4 mm (0.16 inches).



Caution!

There must be a pressure-reducing valve upstream if the air pressure can increase to above 6 bar (90 psi) (including any short pressure surges).

We recommend you also use a pneumatic throttle for lower pressures. This results in a smoother assembly operation. Endress+Hauser offers such a throttle as an accessory (see chapter "Accessories").

Limit position switches

The pneumatic limit position switches serve as control elements and determine the sequence of the individual steps.

The following types of limit position switches are available depending on the order version (product structure, "Assembly operation, ball valve"):

- "Pneumatic limit position switch" version: 4 pneumatic switches
- "Electric limit position switch" version: 3 pneumatic and 2 inductive switches

Pneumatic: 3/2 way valve; thread M 12 x 1;
connection for hoses with OD = 6 mm (0.24")

Electric: inductive (NAMUR type); cable length: 10 m (32.8 ft);
housing material: stainless steel; thread M 12 x 1;
nominal voltage: 8 V
⊕II 1G EEx ia IIC T6; switching distance: 2 mm, flush

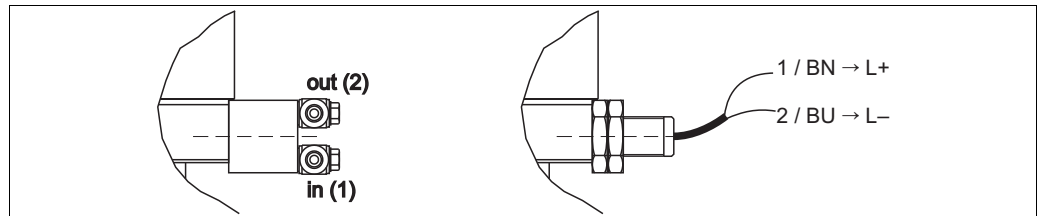


Fig. 10: Limit position switches, left: pneumatic (1 = compressed air inlet, 2 = compressed air outlet)
right: electric (NAMUR)



Note!

The position of the input resp. the output may be different from the figure. Please, refer to the marks at the limit position switch: "1" is the input (in), "2" is the output (out).

Connections



Note!

The assembly is delivered completely hosed-up.

All you have to do is connect the compressed air for pneumatic operation of the ball valve and the outputs for pneumatic feedback signals to the pneumatic terminal block.

1. Please, refer to the sticker on the pneumatic terminal block to connect the compressed air hoses (Fig. 11).
2. Plug the compressed air hoses into the corresponding fittings. Refer also to the identical numbers engraved directly on the corresponding input (resp. output) on the terminal block (Fig. 12).

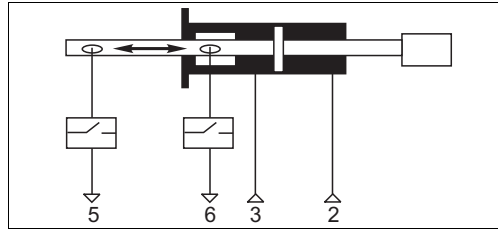


Fig. 11: Pneumatic terminal block sticker
 2 Compressed air input "Start Measuring" (Pneumatics "Open ball valve")
 3 Compressed air input "Start Service" (Pneumatics "Close ball valve")

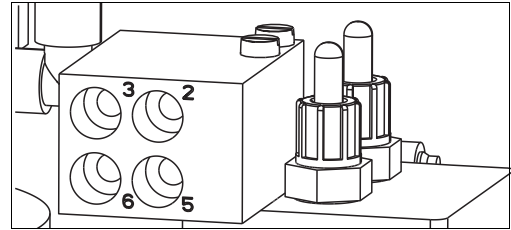


Fig. 12: Pneumatic terminal block
 5 Feedback signal "Assembly Measuring" (Limit position switch "Ball valve open")
 6 Feedback signal "Assembly Service" (Limit position switch "Ball valve closed")

Hosing

Assembly version with pneumatic limit position switches

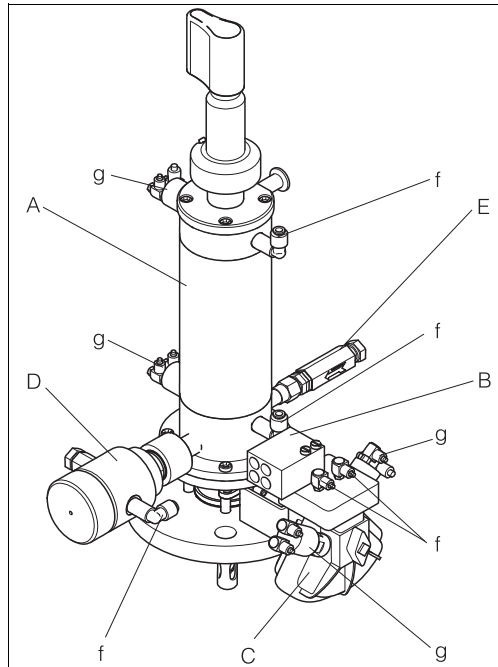


Fig. 13: Overview
 A Assembly cylinder
 B Pneumatic connection block
 C Ball valve drive
 D Pneumatic outlet safety seal

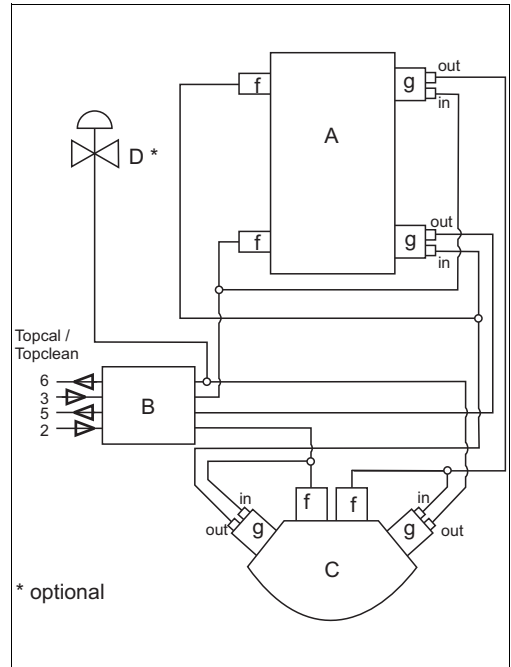


Fig. 14: Hosing
 E Check valve (inlet safety seal)
 f Pneumatic fitting G1/8
 g Pneumatic limit position switches

Assembly version with electrical limit position switches

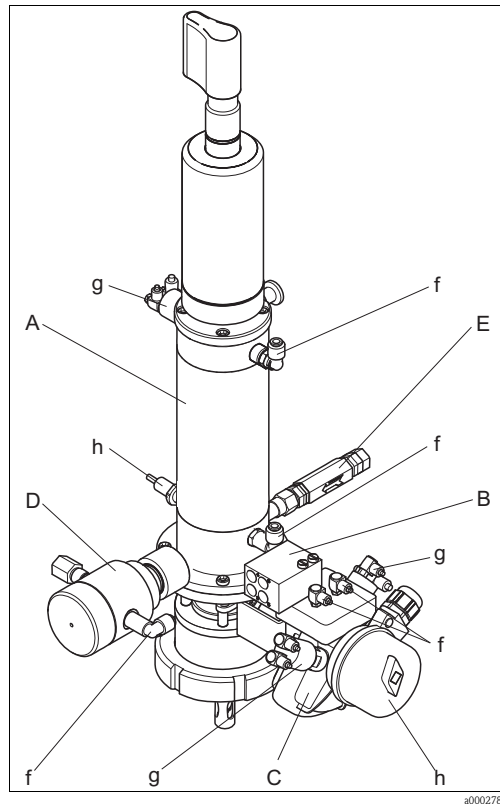


Fig. 15: Overview

- A Assembly cylinder
 B Pneumatic connection block
 C Ball valve drive
 D Pneumatic outlet safety seal

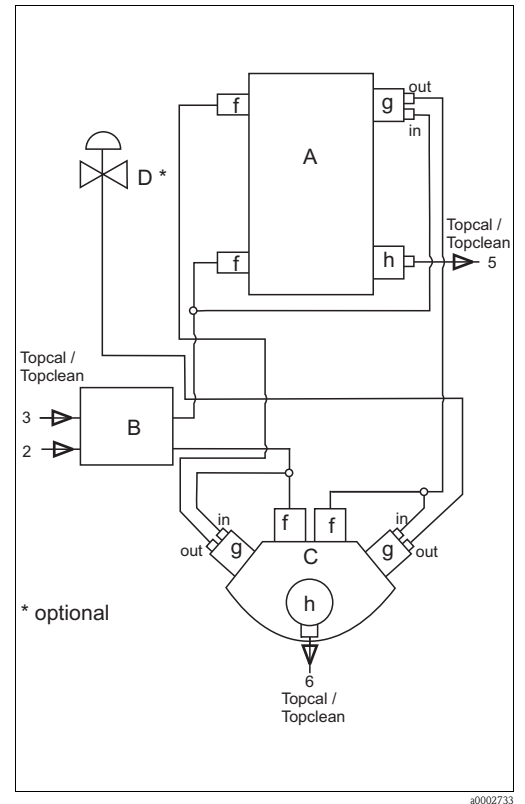


Fig. 16: Hosing

- E Check valve (inlet safety seal)
 f Pneumatic fitting G1/8
 g Pneumatic limit position switches
 h Electrical limit position switches

3.3.4 Rinse water connection

1. Connect the rinse water pipe to the designated rinse nozzle. Both rinse nozzles on the assembly are identical. Use one as an inlet and the other as an outlet.
2. Operate the rinse water connection of the assembly with a water pressure of 2 to max. 6 bar (29 to 87 psi).
3. In addition, install a non-return valve and a dirt trap (100 µm) in the water supply line (at the inlet to the assembly).

Besides water, other or additional cleaning solutions may be used in the rinse chamber. Pay attention to the material resistance of the assembly and comply with the maximum permitted temperatures and pressures.



Caution!

If it is possible for the water pressure to rise above 6 bar (87 psi, including any transient pressure surges), install a pressure reducing valve upstream. Otherwise the assembly may be damaged.

Inlet / outlet safety seal

Optionally the assembly is supplied with a non-return valve on the inlet side of the rinse chamber (inlet safety seal) and an outlet valve (pneumatic outlet safety seal) resp. a ball valve (manual outlet safety seal, see product structure).

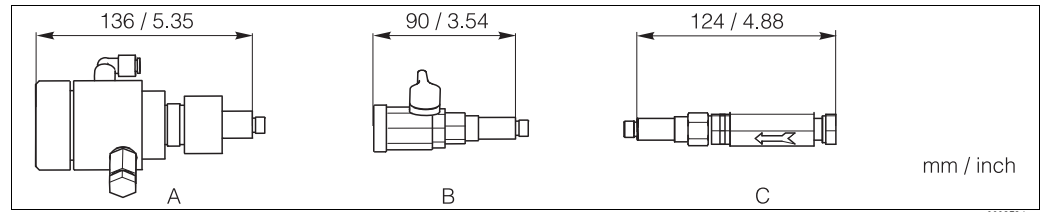


Fig. 17: Inlet / outlet safety seals for rinse chamber

- A Pneumatic outlet safety seal
- B Manual outlet safety seal
- C Non-return valve (inlet safety seal)



Caution!

An outlet safety seal is definitely required if the rinse chamber does not remain sealed with the drain plug²⁾.

Inlet safety seal

The non-return valve prevents medium from penetrating from the rinse chamber into the rinse water inlet.

Manual outlet safety seal

The manual safety seal is a ball valve made of PVDF. You have to drive it manually.

Pneumatic outlet safety seal

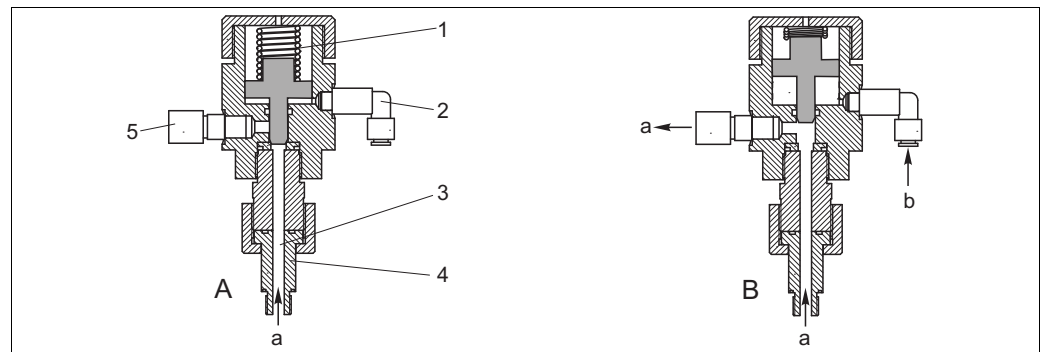


Fig. 18: Functional diagram of the pneumatic valve on the outlet side of the rinse chamber

- A: Valve closed (no connection between rinse water and rinse chamber)
- B: Valve open (rinse water can enter rinse chamber)

- | | | | |
|---|-------------------------------------|---|--------------------|
| 1 | Compression spring | 5 | Rinse water outlet |
| 2 | Compressed air input | a | Rinse water |
| 3 | Inlet from the rinse chamber outlet | b | Compressed air |
| 4 | Rinse connection socket | | |

2) also applies in "Measure" position

Installation of the pneumatic outlet safety seal**Note!**

When ordering an assembly with pneumatic outlet safety seal, you get this seal separately, not installed into the assembly.

1. Unscrew the dummy plug from the rinse chamber outlet.
2. Mount the delivered pneumatic outlet safety seal (Fig. 19).
3. Cut the following compressed air hose:
from pneumatic connection block, input 6 to the corresponding pneumatic limit position switch on the ball valve drive.
4. Connect each end of the cut hose to the delivered Y-piece.
5. Connect the third fitting of the Y-piece to the compressed air connector of the outlet safety seal (Fig. 19, pos. 2).
6. Connect the rinse water outlet hose to the valve connector (pos. 1, G $\frac{1}{4}$ or NPT $\frac{1}{4}$ ", depending . to ordered version).

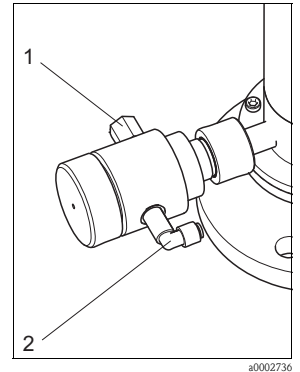


Fig. 19: Outlet safety seal

- 1 Rinse water outlet
2 Compressed air

3.3.5 Sensor installation

1. Remove the protection cap from the sensor. Make sure the sensor shaft is fitted with the O-ring and the thrust collar (Fig. 20).
2. Moisten the sensor shaft before installing the sensor.
3. Depending on the assembly version:
 - a. *Manually driven assembly:*
Pull the retractable pipe as far as possible out of the assembly.
 - b. *Pneumatically driven assembly:*
Move the assembly into the "Service" position.
4. Turn the stop lock bolt through 90° so that the plastic grooves are located above the recesses (Fig. 21, A).
5. Turn the retractable pipe **clockwise** until the stop lock bolt engages (B).
6. *Manually driven assembly:*
Close the ball valve!

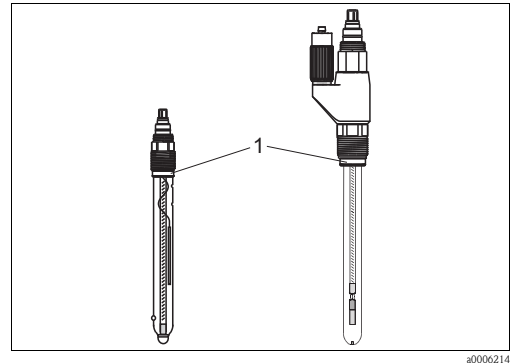


Fig. 20: Sensor installation

1 Thrust collar with O-ring

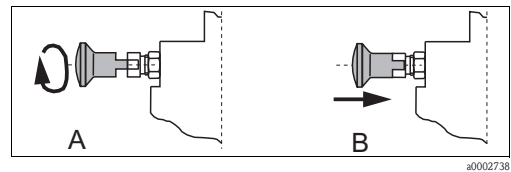



Fig. 21: Stop bolt



Caution!

If turned in the opposite direction, the stop lock bolt does not engage. This could, however, loosen the sensor holder. The reason for this is adhesions on the lower part of the sensor holder. These can cause the sensor holder to get stuck, producing a counterforce when unscrewing the sensor holder.

Gel sensors

1. Remove the splash protection cap (→ , pos. 5) from the assembly.
2. Then loosen the retractable pipe (pos. 2) by turning it anticlockwise.
3. Install the sensor (pos. 7) instead of the dummy plug (pos. 3):
 - first screw by hand
 - then tighten the sensor by approx. ¼ turn using an open end wrench (AF 17).
4. Insert the measuring cable through the retractable pipe (pos. 2):
 - Fixed cable: from the bottom through the retractable pipe, from the sensor to the transmitter
 - Plug-in head sensor: from the top to the sensor head
5. *Plug-in head sensor only:*
Connect sensor and cable.
6. Screw the retractable pipe back onto the pressure cylinder (clockwise, by hand).
7. Place the measuring cable in the splash protection cap and place the cap on the retractable pipe.
8. Unlock the stop lock bolt (pos. 4).

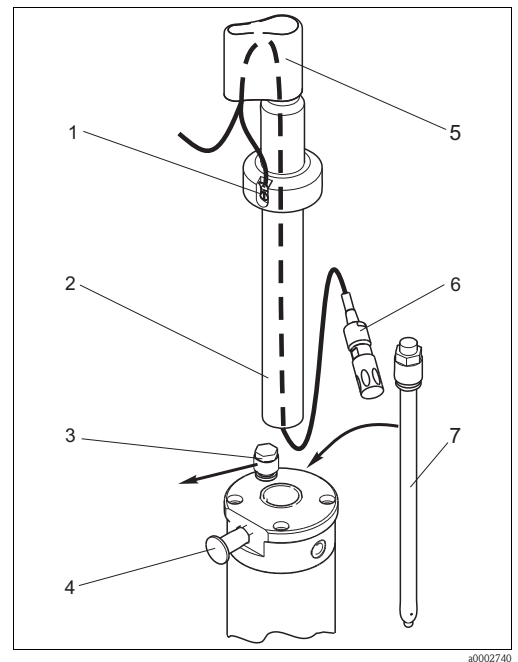


Fig. 22: Sensor installation

- | | |
|---|---------------------------------|
| 1 | PML connection |
| 2 | Retractable pipe |
| 3 | Dummy plug |
| 4 | Stop lock bolt |
| 5 | Splash protection cap |
| 6 | Measuring cable with cable plug |
| 7 | Sensor or electrode |


Remove the sensor in the reverse sequence of operations.



Note!

In case of symmetrical pH measurement, you must push the PML connector onto the PML connection (PML = potential matching line, position 1). Please, read the Operating Instructions of the transmitter.

Sensor with liquid KCl electrolyte

1. Verify that the assembly is in the service position and the ball valve is closed.
2. Remove the splash protection cap (→ Fig. 23, pos. 6) and the KCl hood (pos. 7).
-  **Note!**
From version 11/2009 on the retractable pipe stays in the cylinder head.
3. Screw in the sensor directly into the inner thread of the retractable pipe:
 - first screw by hand
 - then tighten the sensor by approx. ¼ turn using an open end wrench (AF 17).
4. Insert the measuring cable through the protective tube and the KCl hood:
 - Fixed cable: from the sensor upwards to the transmitter
 - Sensor with plug-in head: from the top through the KCl hood to the sensor
 - In case of symmetrical pH measurement, you must push the PML connector onto the PML connection (PML = potential matching line, pos. 3).
5. *Plug-in head sensor only:*
Connect sensor and cable.
6. Connect the electrolyte supply tube (pos. 1) to the electrolyte connection of the sensor.
7. Affix the supplied tubing support (pos. 9) to the electrolyte supply tube directly above the electrolyte connection.
8. Attach the KCl hood to the retractable pipe. Guide the electrolyte supply tube through the lateral slot of the hood.
9. Place the measuring cable in the splash protection cap and place the cap on the KCl hood.
10. Unlock the stop lock bolt (pos. 5).

Remove the sensor in the reverse sequence of operations.

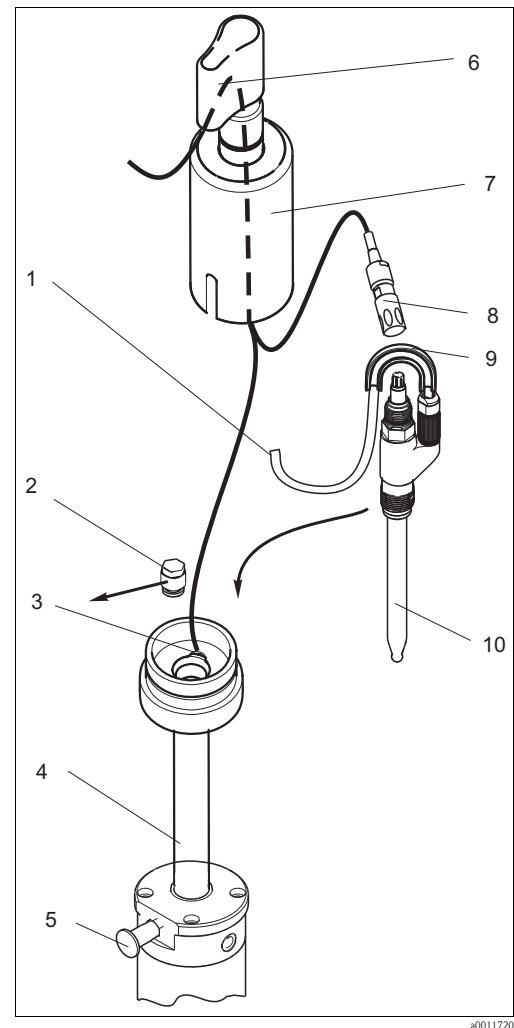


Fig. 23: Liquid KCl electrolyte sensor installation

- | | |
|----|-----------------------------------|
| 1 | Liquid KCl supply tube |
| 2 | Dummy plug |
| 3 | PML connection |
| 4 | Retractable pipe |
| 5 | Stop lock bolt |
| 6 | Splash protection cap |
| 7 | KCl hood |
| 8 | Plug-in head cable |
| 9 | Tubing support |
| 10 | Sensor with liquid KCl connection |

3.4 Post-installation check

- After installation, check that all connections are firmly in position and leak-tight.
- Ensure that the hoses cannot be removed without force.
- Check all hoses for damage.

4 Operation

4.1 First commissioning

Before the first commissioning, make sure of the following items:

- All seals are correctly seated (on the assembly and process connection).
- The sensor is correctly installed and connected.
- The water supply line is correctly connected to the rinse connections (if fitted).
- The limit position switches (according to assembly version) are correctly connected.





Warning!

Danger of squirting medium.

Make sure the connections are correctly fitted with either rinsing hoses or dummy plugs before applying compressed air to the pneumatic assembly. Otherwise the assembly may **not** be put into the process!

4.2 Operating elements

Use the stop lock bolt to lock or release the retractable pipe (→  24, →  25).

When using manually operated assemblies, the retractable pipe can be locked in both, the "Measuring" position and the "Service" position. When using pneumatically operated assemblies, this can only be done in the "Service" position.

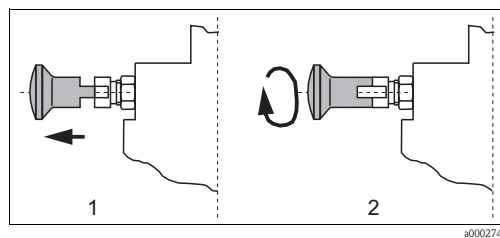


Fig. 24: Releasing the stop lock bolt

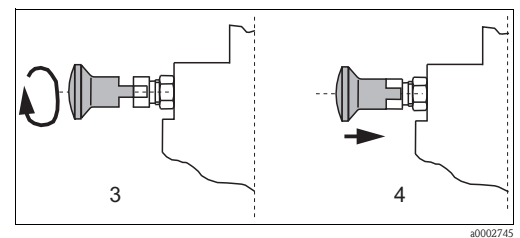


Fig. 25: Locking the stop lock bolt

Releasing the stop lock bolt:

1. Pull the bolt out.
2. Turn the bolt by 90° so that the plastic grooves rest on the metal edge.

Locking the stop lock bolt:

3. Turn the stop lock bolt through 90° so that the plastic grooves are located above the recesses.
4. When the retractable pipe is turned clockwise, the bolt engages.

4.3 Manual operation

Moving the assembly from the "Service" position to the "Measuring" position

1. Open the ball valve.
2. Release the stop lock bolt catch.
3. Push the lifting tube so that the sensor holder is inserted fully into the process.
4. Lock the sensor holder with the stop lock bolt. This prevents the lifting tube from returning inadvertently into the "Service" position.



Warning!

Risk of injury!

Always lock the sensor holder. Otherwise, the lifting tube may exit uncontrolled as a result of the process pressure and injure somebody.

Moving the assembly from the "Measuring" position to the "Service" position

1. Release the stop lock bolt catch.
2. Pull the lifting tube out as far as possible ("Service" position).
3. Close the ball valve.
4. Lock the sensor holder with the stop lock bolt.
5. Complete the necessary service tasks.

4.4 Pneumatic operation

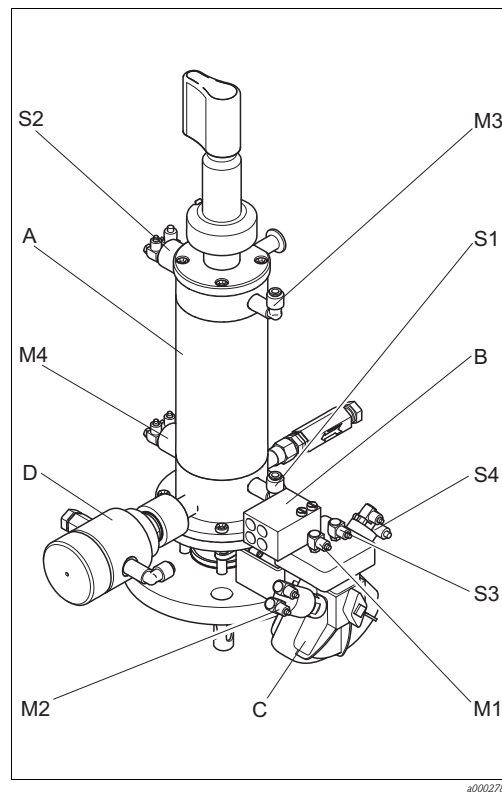


Fig. 26: Pneumatic limit position switches

- A Assembly cylinder
 B Pneumatic connection block
Measuring:
 M1 Pneumatics "Open ball valve"
 M2 Limit position switch "Ball valve open"
 M3 Pneumatics "Assembly Measuring"
 M4 Limit position switch "Assembly Measuring"

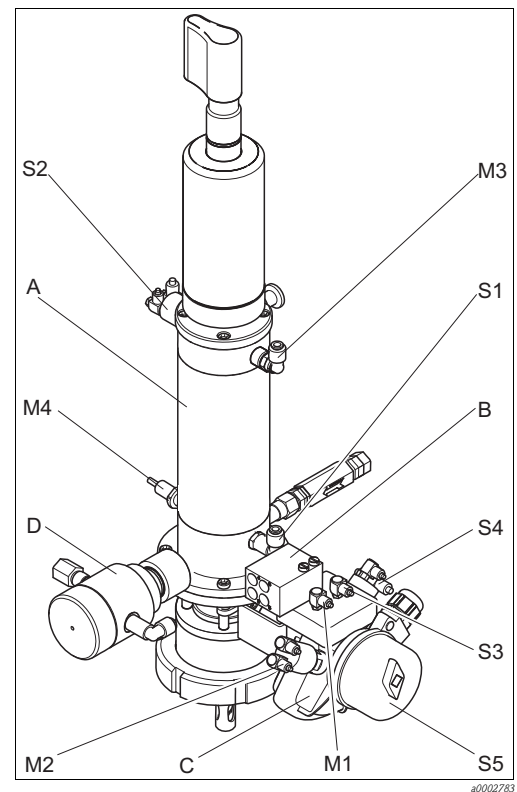


Fig. 27: Electric limit position switches

- C Ball valve drive
 D Rinsing input / output
Service:
 S1 Pneumatics "Assembly Service"
 S2 Limit position switch "Assembly Service"
 S3 Pneumatics "Close ball valve"
 S4 Limit position switch (pneu.) "Ball valve closed"
 S5 Limit position switch (el.) "Ball valve closed"



Note!

The following chapters describe the **principle** of assembly moving. The figures show **only the details necessary** to explain this principle.

Please, refer to the chapter "Installation" / "Installation instructions" and the figures there for assembly hosing and installation into the process!

4.4.1 Indication of the ball-valve position

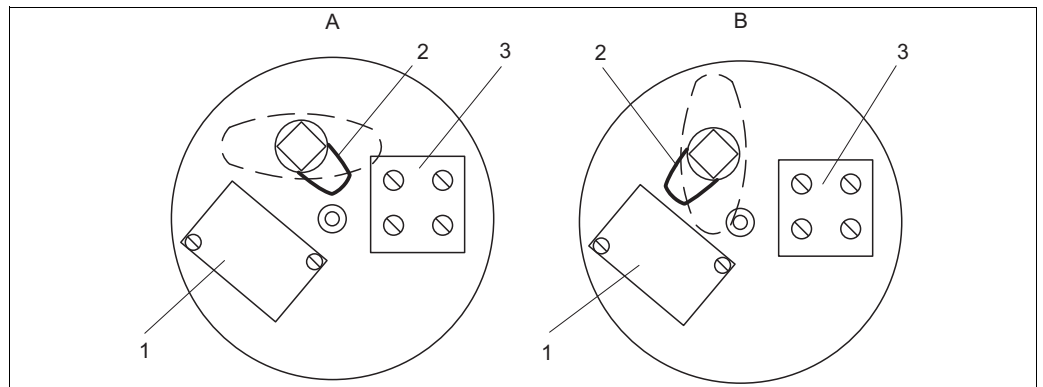


Fig. 28: Indication of the ball valve position

- A Ball valve is closed (cam points to the terminal)
 B Ball valve is open (cam points to the proximity switch)
 1 Proximity switch
 2 Cam
 3 Terminal

The position of the ball valve is indicated in the following way:

- The cam points to the terminal - ball valve is closed
 The cam **has no** influence to the inductive field of the proximity switch. The resulting voltage is undamped.
- The cam points to the proximity switch - ball valve is open
 The cam **has** influence to the inductive field of the proximity switch. The resulting voltage is damped.

4.4.2 Moving from "Service" position into "Measuring" position

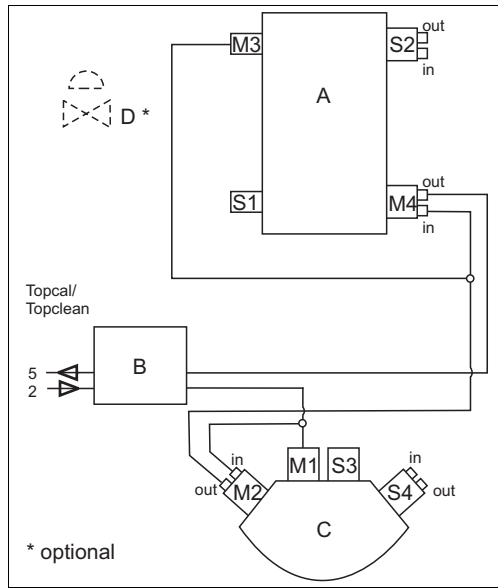


Fig. 29: Move to "Measuring" position, version with pneumatic limit position switches

- in Pneumatic input, limit position switch
- out Pneumatic output, limit position switch
- 5 Feedback signal "Assembly measuring"
- 2 Compressed air input "Start measuring"

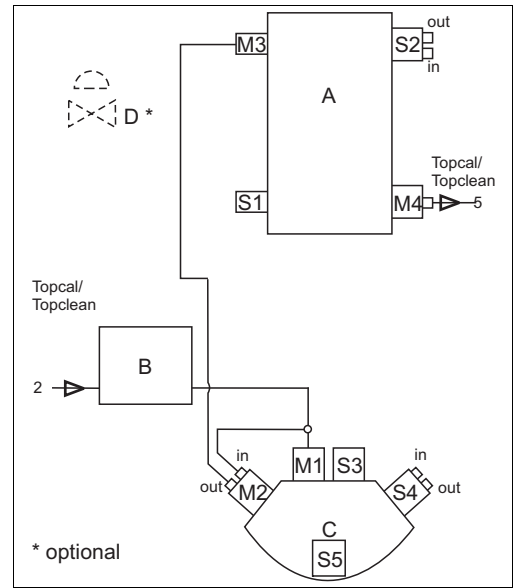


Fig. 30: Move to "Measuring" position, version with electric limit position switches

- A Assembly cylinder
- B Pneumatics connection block
- C Ball valve drive
- D Outlet safety seal for rinse chamber

1. Compressed air is provided at position M1 (pneumatic "Open ball valve"). At the same time, compressed air is applied to M2 (limit position switch "Ball valve open"). The ball valve (C) opens. **The rinse chamber outlet valve (D) must be closed.**
2. When the ball valve is completely open, the limit position switch M2 forwards compressed air to the pneumatics of the pressure cylinder, input "Assembly measuring" (M3) and simultaneously to the limit position switch "Assembly measuring" (M4). The electrode holder moves out of the assembly into the medium.
3. Once the limit position is reached, the limit position switch M4 sends a signal (5, "Assembly measuring" feedback signal) to the transmitter / DCS or to Topcal / Topclean.

4.4.3 Moving from "Measuring" position into "Service" position

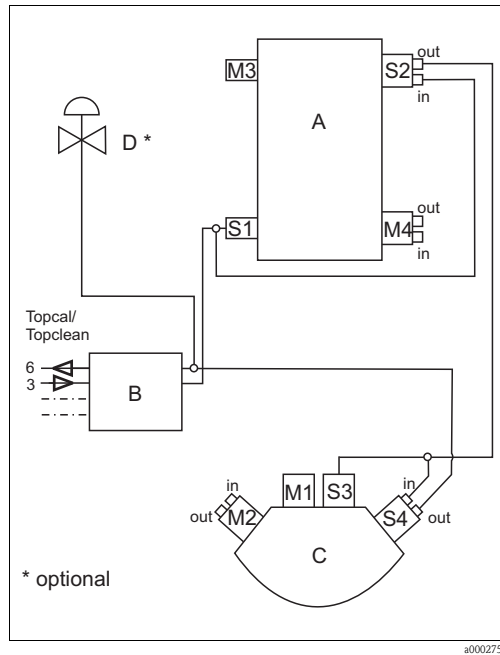


Fig. 31: Move to "Service" position, version with pneumatic limit position switches

in Pneumatic input, limit position switch
 out Pneumatic output, limit position switch
 6 Feedback signal "Assembly service"
 3 Compressed air input "Start service"

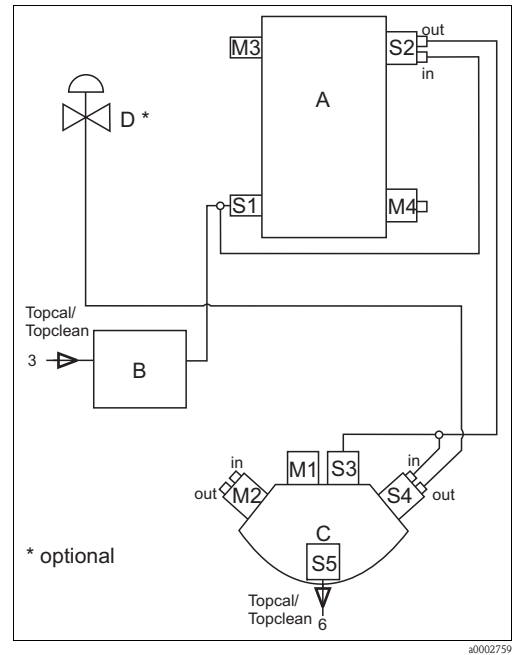


Fig. 32: Move to "Service" position, version with electric limit position switches

A Assembly cylinder
 B Pneumatics connection block
 C Ball valve drive
 D Outlet safety seal for rinse chamber

1. Compressed air is simultaneously provided at the pneumatics of the pressure cylinder, input "Assembly service" (S1) and at the limit position switch "Assembly service" (S2). The electrode holder moves from the medium into the assembly.
2. When the limit position is reached, the limit position switch S2 forwards pressure to position S3 (close ball valve) and position S4 (limit position switch "Ball valve closed") simultaneously. The ball valve (C) closes.
3. Once the ball valve is completely closed, a signal (6, "Assembly service" feedback signal) is sent from the limit position switch S4 (or the limit position switch S5 in case of the version with electric limit position switches) to the transmitter / DCS or to Topcal / Topclean. At the same time, pressure is applied to the rinse chamber outlet valve (D). Valve D opens as long as the pressure is applied. Any drop in pressure causes this valve to close.

5 Maintenance



Warning!

Risk of injury!

Before starting maintenance work on the assembly, make sure that the process line and the tank are depressurized, empty and rinsed.

Move the assembly to the "Service" position and lock the retractable pipe by the stop lock bolt.

5.1 Cleaning the assembly

To ensure a reliable measurement, the assembly and the sensor must be cleaned at regular intervals. The frequency and intensity of the cleaning operation depend on the process medium.

5.1.1 Manually operated assembly

All parts in contact with the medium, e.g. the sensor and the sensor holder, must be cleaned at regular intervals. Remove the sensor³⁾.

- Remove light dirt using suitable cleaning agents (see chapter "Cleaning agents").
- Remove severe fouling with a soft brush and a suitable cleaning agent.
- Remove persistent fouling by soaking in a liquid cleaner and if necessary by cleaning with a soft brush.



Note!

A typical cleaning interval for e.g. drinking water is at least half a year.

5.1.2 Pneumatically operated assembly

Pneumatically-controlled cleaning can be carried out regularly via the rinse connection and the corresponding equipment, e.g. with the fully automatic cleaning and calibration system Topcal S CPC310.

5.2 Cleaning the sensor

You have to clean the sensor:

- before every calibration
- regularly during operation
- before being returned to the supplier

You can remove and clean the sensor manually or perform an automatic cleaning operation⁴⁾ via the rinse connection.



Note!

- Clean ORP electrodes only mechanically and with water, do not use any chemical cleaning agents. These cleaning agents apply a potential to the electrode that takes several hours to decay. This potential causes measuring errors.
- Do not use any abrasive cleaning agents. This can lead to irreparable damage of the sensor.
- After cleaning the sensor, rinse the rinse chamber of the assembly with copious amounts of water (possibly distilled or de-ionized). Otherwise, remaining residues of cleaning agent can corrupt measurement.
- If required, re-calibrate after cleaning.

3) in reverse sequence of operations to the installation procedure

4) with the corresponding assembly equipment only

5.3 Cleaning agents

The selection of the cleaning agent is dependent on the degree and type of contamination. The most common contaminations and the suitable cleaning agents are listed in the following table.

Type of contamination	Cleaning agent
Greases and oils	Hot water or tempered substances containing tensides (alkaline) ¹⁾ or water-soluble organic solvents (e.g. ethanol)
Calciferous deposits, metal hydroxide deposits, lyophobic biological deposits	Approx. 3% hydrochloric acid
Sulphide deposits	Mixture of 3% hydrochloric acid and thiocarbamide (commercially available)
Protein deposits	Mixture of 3% hydrochloric acid and pepsin (commercially available)
Fibers, suspended substances	Water under pressure, poss. with surface-active agents
Light biological deposits	Water under pressure

1) do not use for Tophit ISFET sensors! Instead, use commercially available acidic cleaning agents for the food industry (e.g. P3-horolith CIP, P3-horolith FL, P3-oxonia active).



Caution!

Do not use organic solvents containing halogen or acetone. These solvents could destroy plastic components of the assembly or the sensor and are suspected carcinogens.

5.4 Notes on calibration

Regular sensor calibration is vital for reliable measurement. The calibration cycles depend on the range of application and the desired accuracy.

You have to define the calibration cycles separately for each application. At the start, perform calibration frequently (e.g. weekly) to determine the operating characteristics of the sensor. Follow the corresponding instructions for calibration in the Operating Instructions of the transmitter used.



Note!

- The calibration cycles depend on the process conditions and the medium.
- When using a symmetrical connection, there must be an electrical connection between the potential matching (PML) and the buffer solution.
- Do not allow a glass electrode to stand dry or pH sensors (including ISFET) to stand in distilled water.
- Do not use compressed air to blow clear automatic calibration systems with ISFET sensors.

5.5 Replacing seals

With closed ball valve you can replace the seals above the ball valve without interruption of the process.

To replace all seals of the assembly you have to interrupt the process and remove the assembly.



Warning!

Beware of medium residues and higher temperatures when handling components that were in contact with medium. Wear protection gloves and protection glasses.



Note!

Check the seals in contact with medium at least semi-annually.

Preparation:

1. Interrupt the process. Beware of medium residues, residual pressure and higher temperatures.
2. Move the assembly to the "Service" position. Secure this position by the stop lock bolt.
3. Dismount the sensor.
4. Dismount the assembly from the process connection.
5. Clean the assembly (see chapter "Cleaning the assembly")

Dismantling the assembly:

Illustration shows retractable pipe for gel sensors (version: stainless steel cylinder).

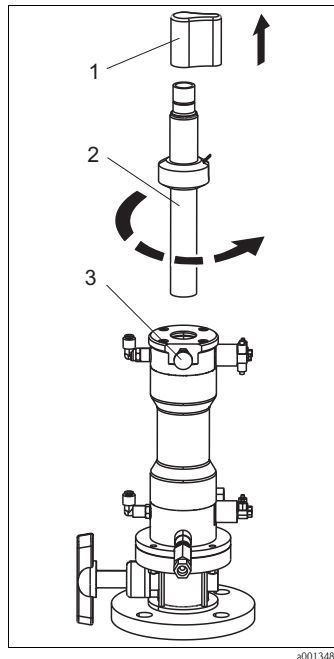


Abb. 33: Dismantling part 1

- 1 Splash protection cap
- 2 Retractable pipe
- 3 Stop lock bolt

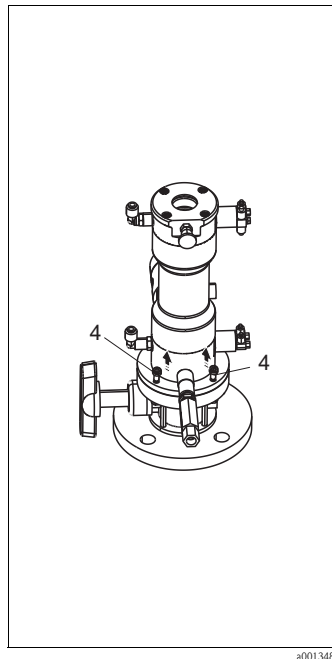


Abb. 34: Dismantling part 2

- 4 Connecting bolts (4 pcs.)

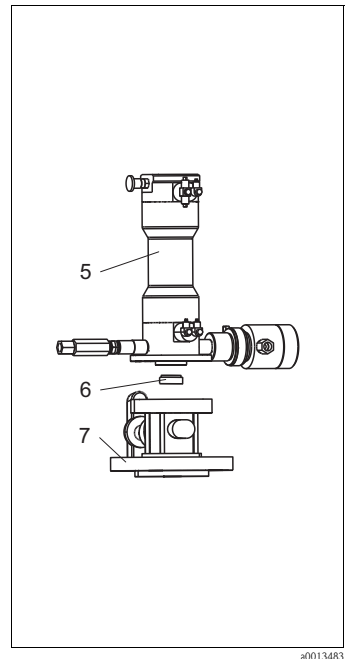


Abb. 35: Dismantling part 3

- 5 Pressure cylinder, cylinder head, rinse chamber
- 6 Scraper
- 7 Flange with ball valve

1. Pull off the splash protection cap (pos. 1).
2. Make sure the stop lock bolt (pos. 3) is locked.
3. Unscrew the retractable pipe (pos. 2) (not at KCl-sensors).
4. Loosen the four connecting bolts (pos. 4) at the top of the flange.
5. Remove the pressure cylinder and the rinse chamber (pos. 5).

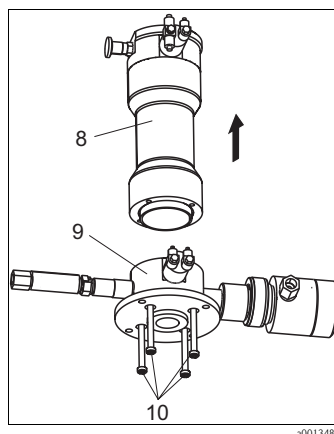


Abb. 36: Dismantling part 4

- 8 Pressure cylinder with cylinder head
- 9 Rinse chamber
- 10 Connecting bolts (4 pcs.) incl. 4 locking washers

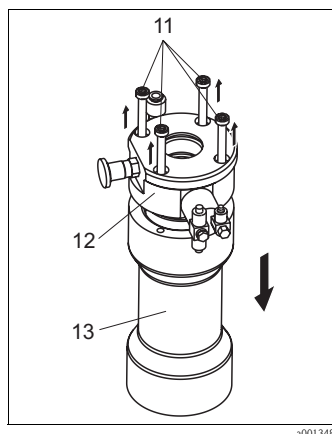


Abb. 37: Dismantling part 5

- 11 Connecting bolts (4 pcs.) with locking washers
- 12 Cylinder head
- 13 Pressure cylinder

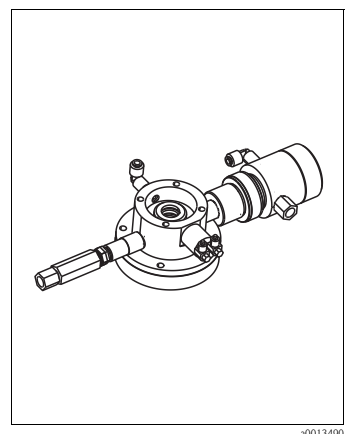


Abb. 38: Dismantling part 6

- Rinse chamber

6. Loosen the four connecting bolts (pos. 10) at the bottom of the rinse chamber.
7. Remove the rinse chamber.
8. Loosen the four connecting bolts (pos. 11) at the cylinder head (pos. 12).
9. Remove the cylinder head.

Replacing the seals

1. Apply a thin layer of grease to the new seals (e.g. Syntheso Glep1).
2. Replace the seals as shown in Fig. 39.
3. Re-assemble the assembly.

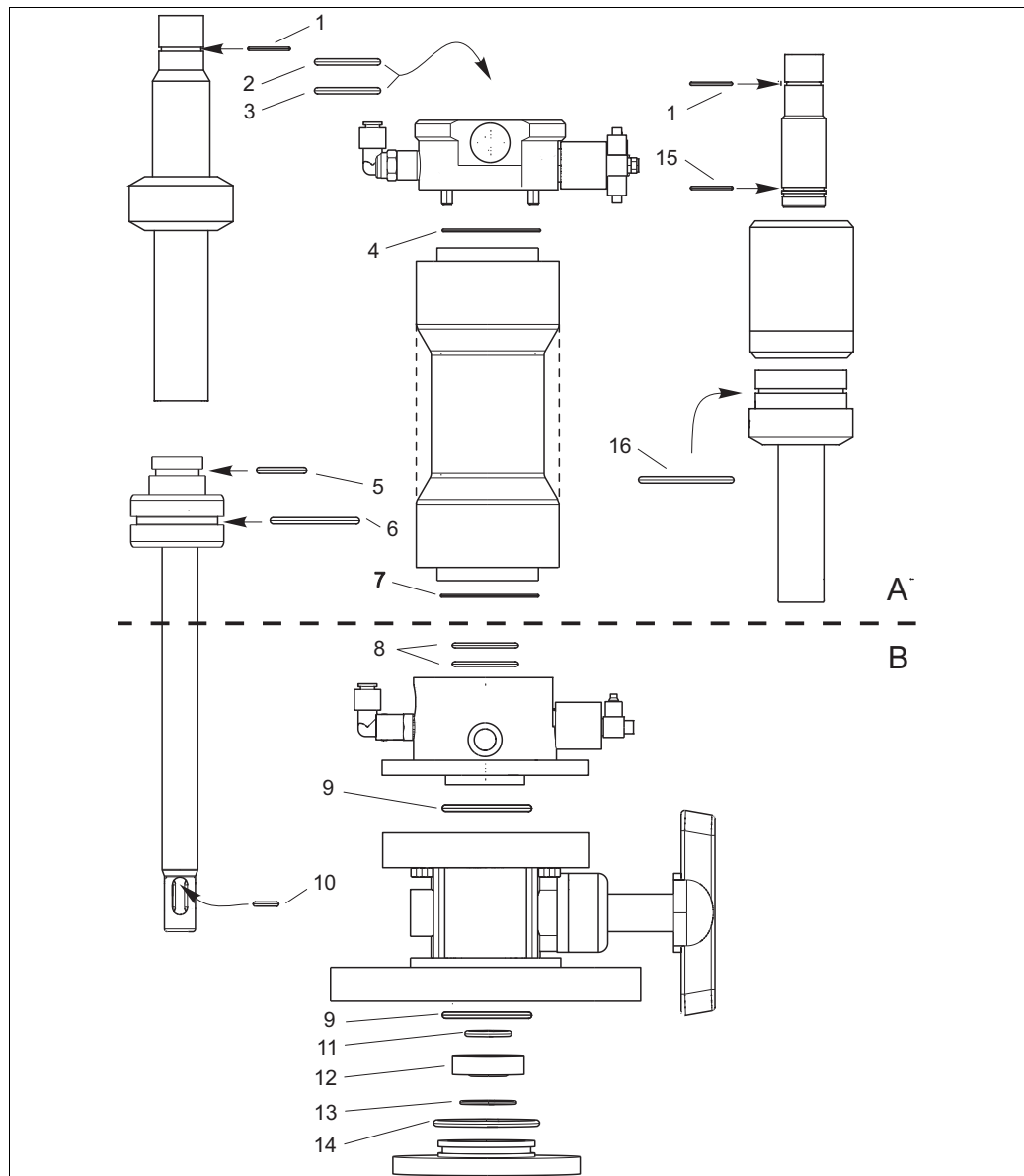


Abb. 39: Position of the seals
 A Seals, not in contact with medium
 B Seals, in contact with medium

40013495

No	Kit-No.	Kit pos. No.	Size	Remarks/material
1	71064624	Pos. 60	ID 20.35 W1.78	EPDM
2	71064624	Pos. 20	ID 30.00 W3.50	Manual version, FPM
2+3	71064624	Pos. 20	ID 30.00 W3.50	Pneumatic version, FPM
4+7	71064624	Pos. 50	ID 52.00 W1.50	2x, EPDM
5	71064624	Pos. 10	ID 22.00 W3.00	EPDM
6	71064624	Pos. 30	ID 42.00 W4.00	Pneumatic version only, FPM
6	71064624	Pos. 40	ID 37.00 W4.00	Manual version only, FPM
15	71064624	Pos. 80	ID 23.52 W1.78	KCl version
16	71064624	Pos. 90	ID 55.25 W2.62	KCl version
8	51518485	Pos. 50	ID 19.00 W 3.00	2x, Perfluorelastomer
8	51518484	Pos. 50	ID 19.00 W 3.00	2x, VITON
8	51518483	Pos. 50	ID 19.00 W 3.00	2x, EPDM
9	51518485	Pos. 90	ID 28.17 W3.53	2x, Perfluorelastomer
9	51518484	Pos. 90	ID 28.17 W3.53	2x, VITON
9	51518483	Pos. 90	ID 28.17 W3.53	2x, EPDM
10	51518485	Pos. 10	ID 11.00 W 2.00	Perfluorelastomer
10	51518484	Pos. 10	ID 11.00 W 2.00	VITON
10	51518483	Pos. 10	ID 11.00 W 2.00	EPDM
11-13	51518485	Pos. 20	Scraper	with 2 O-rings, Perfluorelastomer (flange)
11-13	51518484	Pos. 20	Scraper	with 2 O-rings, VITON (flange)
11-13	51518483	Pos. 20	Scraper	with 2 O-rings, EPDM (flange)
11-13	51518485	Pos. 60	Scraper	with O-ring, Perfluorelastomer (thread nut)
11-13	51518484	Pos. 60	Scraper	with O-ring, VITON (thread nut)
11-13	51518483	Pos. 60	Scraper	with O-ring, EPDM (thread nut)
11-13	51518485	Pos. 40	ID 44.00 W 3.00	Perfluorelastomer (flange)
11-13	51518484	Pos. 40	ID 44.00 W 3.00	VITON (flange)
11-13	51518483	Pos. 40	ID 44.00 W 3.00	EPDM (flange)
11-13	51518485	Pos. 70	ID 55.00 W 3.00	Perfluorelastomer (thread nut)
11-13	51518484	Pos. 70	ID 55.00 W 3.00	VITON (thread nut)
11-13	51518483	Pos. 70	ID 55.00 W 3.00	EPDM (thread nut)

6 Accessories

6.1 Process adapter

Welded fitting DN 50 (70 mm), inclined, material: 1.4571 (AISI 316 Ti);

- order no. 71098682

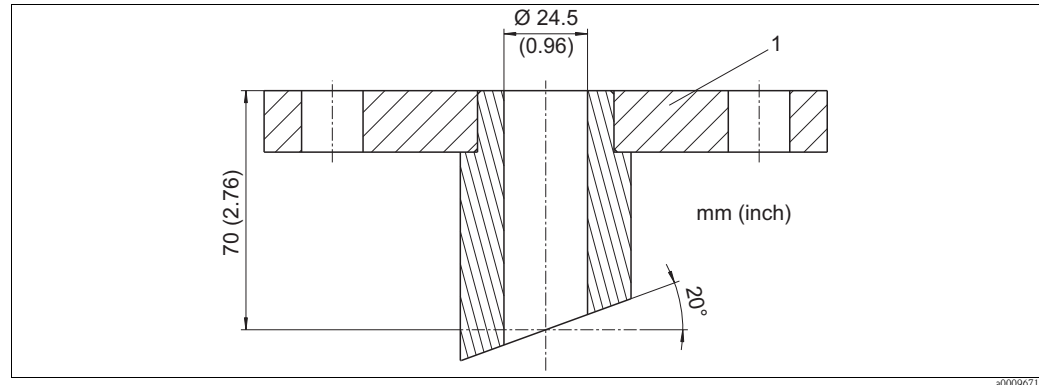


Abb. 40: Welded fitting

1 Flange DN 50 / PN16

6.2 Packing sleeve

Sleeve

- For short immersion depth CPA474-*9*****, material: PEEK
- order no. C-PA040121-10

Sleeve

- For long immersion depth CPA474-*9*****, material: PEEK
- order no. C-PA100323-50

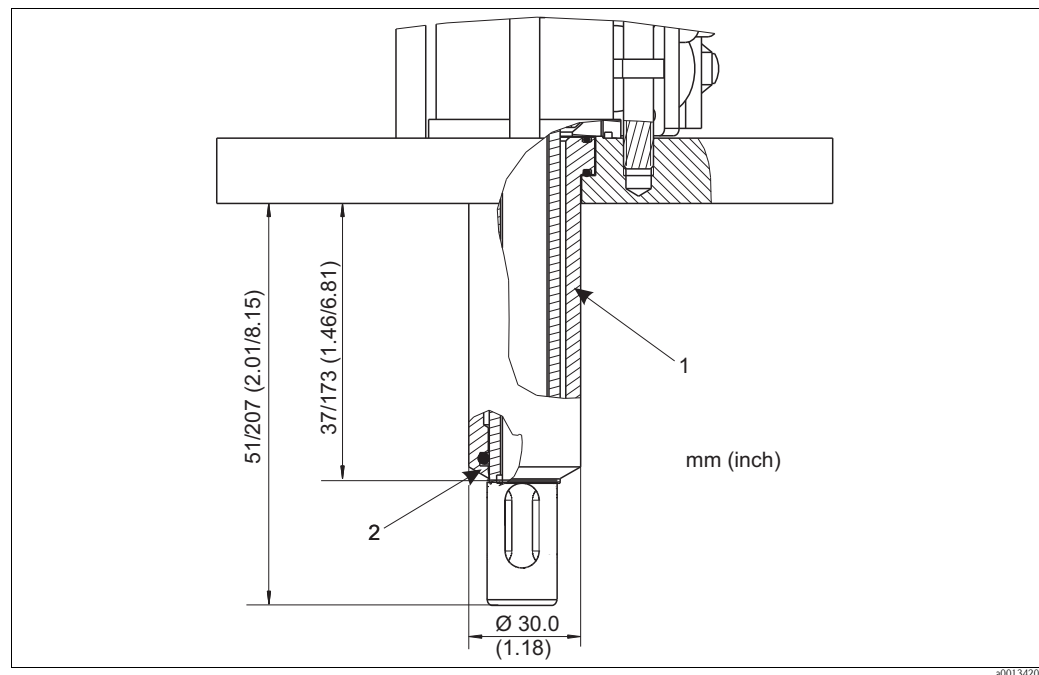


Abb. 41: Sleeve (short immersion depth / long immersion depth)

1 Sleeve (PEEK)

2 Scraper of sleeve with O-ring

6.3 Water filter and pressure reducer

Filter set CPC310

- Water filter (dirt trap) 100 µm, complete, incl. angle bracket;
- Order no. 71031661

Pressure reducer kit

- Complete, incl. manometer and angle bracket;
- Order no. 51505755

6.4 Rinse connection adapter

- Rinse connection adapter CPR40 for connecting 2 or 4 different media.
Order acc. to product structure, see Technical Information (TI342C/07/en).

6.5 Flow assembly

Flowfit CPA240

- pH/redox flow assembly for processes with a high level of requirements
- Technical Information TI179C/07/en

6.6 Pneumatic throttle

Pneumatic throttle for the reduction of the assembly moving speed,

- G1/8 threaded connection
- order no. 50036864

6.7 Hose connectors for rinse chamber

- Hose connection set,
for Cleanfit assemblies, PVDF, G ¼", D12
order no. 51511724
- Hose connection set,
for Cleanfit assemblies, stainless steel 1.4404 (AISI 316L), NPT ¼", D12
order no. 51511725
- Hose connection set,
for Cleanfit assemblies, PVDF, NPT ¼", D12
order no. 51511726
- Hose connection set,
for Cleanfit assemblies, stainless steel 1.4404 (AISI 316L), NPT ¼", D16
order no. 51511722
- Hose connection set,
for Cleanfit assemblies, PVDF, NPT ¼", D16
order no. 51511723
- Hose connection set,
for Cleanfit assemblies, stainless steel 1.4404 (AISI 316L), G ¼", D16
order no. 51511590
- Hose connection set,
for Cleanfit assemblies, PVDF, G ¼", D16
order no. 51511591

6.8 Limit position switches

Set of pneumatic limit position switches (2 pieces);

- order no. 51502874

Set of electric limit position switches, Ex and non-Ex (2 pieces);

- order no. 51502873

6.9 Inlet and outlet safety seal

- Pneumatic outlet safety seal for rinse chamber outlet:
 - G ¼, order no. 51511935
 - NPT ¼", order no. 51511936
- Manual outlet safety seal for rinse chamber outlet,
 - G ¼, order no. 51511937
 - NPT ¼", order no. 51511938
- Non-return valve (inlet safety seal) for rinse chamber inlet,
 - G ¼, order no. 51511939
 - NPT ¼", order no. 51511940

6.10 Sensors

Sensors are available in following sizes:

- Gel sensors in 225 mm for short version of CPA474
- Gel sensors in 360 mm for long version of CPA474
- KCl sensors in 425 mm for short version of CPA474

6.10.1 Glass electrodes

Orbisint CPS11/CPS11D

- pH sensor for process applications
- Optionally with Memosens technology
- With PTFE diaphragm
- Ordering acc. to product structure, see Technical Information (TI028C/07/en)

Orbisint CPS12/CPS12D

- ORP electrode for process applications
- Optionally with Memosens technology
- With PTFE diaphragm
- Ordering acc. to product structure, see Technical Information (TI367C/07/en)

Ceraliquid CPS41/CPS41D

- pH sensor
- Optionally with Memosens technology
- With ceramics diaphragm and liquid KCl electrolyte
- Ordering acc. to product structure, see Technical Information (TI079C/07/en)

Ceraliquid CPS42/CPS42D

- ORP electrode
- Optionally with Memosens technology
- With ceramics diaphragm and liquid KCl electrolyte
- Ordering acc. to product structure, see Technical Information (TI373C/07/en)

Ceragel CPS71/CPS71D

- pH sensor
- Optionally with Memosens technology
- With double chamber reference system and integrated bridge electrolyte
- Ordering acc. to product structure, see Technical Information (TI245C/07/en)

Ceragel CPS72/CPS72D

- ORP electrode
- Optionally with Memosens technology
- With double chamber reference system and integrated bridge electrolyte
- Ordering acc. to product structure, see Technical Information (TI374C/07/en)

Orbipore CPS91/CPS91D

- pH sensor
- Optionally with Memosens technology
- With open aperture for media with high dirt load
- Ordering acc. to product structure, see Technical Information (TI375C/07/en)

6.10.2 ISFET sensors

Tophit CPS471/CPS471D

- Sterilizable and autoclavable ISFET sensor for food and pharmaceuticals, process technology, water treatment and biotechnology;
- Ordering acc. to product structure, see Technical Information (TI283C/07/en)

Tophit CPS441/CPS441D

- Sterilizable ISFET sensor for media with low conductivity, with liquid KCl electrolyte;
- Ordering acc. to product structure, see Technical Information (TI352C/07/en)

Tophit CPS491/CPS491D

- ISFET sensor with open aperture for media with high dirt load;
- Ordering acc. to product structure, see Technical Information (TI377C/07/en)

6.11 Measuring cables

CPK9 special measuring cable

- For sensors with TOP68 plug-in head, for high-temperature and high-pressure applications, IP 68
- Ordering acc. to product structure, see Technical Information (TI118C/07/en)

CPK1 special measuring cable

- For pH/ORP electrodes with GSA plug-in head
- Ordering acc. to product structure, see Technical Information (TI118C/07/en)

CPK12 special measuring cable

- For pH/ORP glass electrodes and ISFET sensors with TOP68 plug-in head
- Ordering acc. to product structure, see Technical Information (TI118C/07/en)

CYK10 Memosens data cable

- For digital sensors with Memosens technology
- Ordering according to product structure, see Technical Information (TI376C/07/en)

6.12 Transmitters

Liquiline CM42

- Modular two-wire transmitter, stainless steel or plastic, field or panel instrument
- Various Ex approvals (ATEX, FM, CSA, Nepsi, TIIS)
- HART, PROFIBUS or FOUNDATION Fieldbus available
- Ordering acc. to product structure, see Technical Information (TI381C/07/en)

Liquisys CPM223/253

- Transmitter for pH and ORP, field or panel-mounted housing
- HART or PROFIBUS available
- Ordering acc. to product structure, see Technical Information (TI194C/07/en)

Mycom CPM153

- Transmitter for pH and ORP, one or two channel version, Ex or non-Ex
- HART or PROFIBUS available
- Ordering acc. to product structure, see Technical Information (TI233C/07/en)

6.13 Measuring, cleaning and calibration systems

Topcal CPC310

- Fully automatic measuring, cleaning and calibration system; Ex or non-Ex
- In-situ cleaning and calibration, automatic sensor monitoring
- Ordering acc. to product structure, Technical Information TI404C/07/en

Topclean CPC30

- Fully automatic measuring and cleaning system; Ex or non-Ex
- In-situ cleaning, automatic sensor monitoring
- Ordering acc. to product structure, see Technical Information TI235C/07/en

7 Trouble-shooting

7.1 Replacing damaged parts



Warning!

Damage to the assembly which affects the pressure safety must **only** be repaired by authorized technical personnel.

After every repair and maintenance activity, suitable measures must be taken to test whether the assembly shows any signs of leaking. The assembly must then correspond to the specifications stated in the technical data.

Replace all other damaged components immediately. To order accessories and spare parts, please use the "Accessories" and "Spare parts" chapters or contact your local sales center.

7.2 Replacing parts without process interrupt

When the ball valve is closed ("Assembly service"), you can completely remove the assembly body and the rinse chamber and replace components. You don't have to interrupt the process for this.



Warning!

Never remove the assembly body when the process is running with an open ball valve ("Assembly measuring")! Also ensure that the ball valve cannot be opened automatically (pneumatic control). Otherwise, there is a risk of injury through escaping medium.

The manufacturer is not liable for damage caused by improper or non-designated use.

Beware of medium residues and higher temperatures when handling components that were in contact with medium. Wear protection gloves and protection glasses.

7.3 Replacing parts with process interrupt

If you have to repair the ball valve or to replace the scraper or the packing sleeve you have to switch off the process before and vent the pipes.



Warning!

Make sure no medium can spill out.

Risk of injury!

7.4 Spare part kits

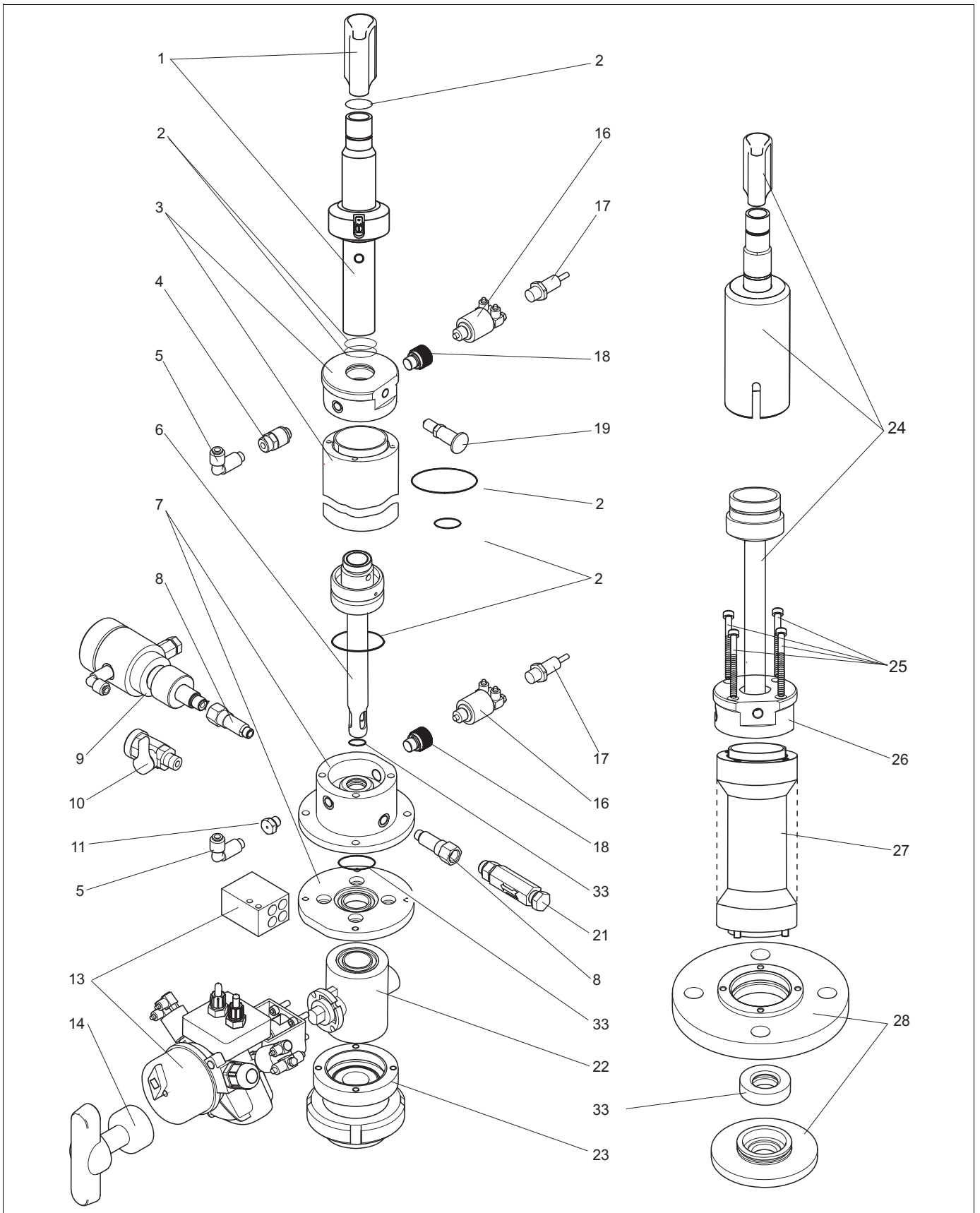


Fig. 42: Spare parts (all assembly versions)

20013413



Note!

Please, refer to the following table for the spare part kits ordering numbers acc. to the positions in Fig. 42.

Position	Description and kit content	Spare part kit order no.
1	Retractable pipe for gel electrodes, length 225 mm (8.86 inches) For assembly version: – pneumatic	51503716
	Retractable pipe for gel electrodes, length 225 mm (8.86 inches) For assembly version: – manual	51503718
	Retractable pipe for gel electrodes, length 360 mm (14.17 inches) For assembly version: – pneumatic	51513005
	Retractable pipe for gel electrodes, length 360 mm (14.17 inches) For assembly version: – manual	51513006
2	Set of gaskets, not in contact with medium	71064624
3	PA cylinder, with O-rings, cylinder head and safety screw For assembly version: – short, immersion depth up to 71 mm (2.80 inches)	51503774
	SS 1.4404 (AISI 316L) cylinder, with O-rings and cylinder head For assembly version: – short, immersion depth up to 71 mm (2.80 inches)	51503776
4	Exhaust air restrictor and SS 1.4404 (AISI 316L) dummy plug (11) For assembly version: – manual 5 pieces each	51503732
5	G1/8 pneumatic connections For assembly version: – pneumatic 10 pieces	51503730
6	Sensor guide, PP, complete For assembly version: – short, immersion depth up to 71 mm (2.80 inches)	51512679
	Sensor guide, PVDF, complete For assembly version: – short, immersion depth up to 71 mm (2.80 inches)	51512681
	Sensor guide, PEEK, complete For assembly version: – short, immersion depth up to 71 mm (2.80 inches)	51512682
	Sensor guide, PP, complete For assembly version: – short, immersion depth up to 207 mm (8.15 inches)	51512683
	Sensor guide, PVDF, complete For assembly version: – short, immersion depth up to 207 mm (8.15 inches)	51512684
	Sensor guide, PEEK, complete For assembly version: – short, immersion depth up to 207 mm (8.15 inches)	51512685

Position	Description and kit content	Spare part kit order no.
7	Rinse chamber complete, PP	51512690
	Rinse chamber complete, PVDF	51512691
	Rinse chamber complete, PEEK	51512692
	Rinse chamber complete, pressure resistant-PP	51512693
	Rinse chamber complete, pressure resistant-PVDF	51512694
	Rinse chamber complete, pressure resistant-PEEK	51512695
8	Set of G $\frac{1}{4}$ " rinse connectors, complete	51512705
	Set of NPT $\frac{1}{4}$ " rinse connectors, complete	51512706
9	Pneumatic outlet safety seal for G $\frac{1}{4}$ " rinse chamber connections	51511935
	Pneumatic outlet safety seal for NPT $\frac{1}{4}$ " rinse chamber connections	51511936
10	Manual outlet safety seal for G $\frac{1}{4}$ " rinse chamber connections	51511937
	Manual outlet safety seal for NPT $\frac{1}{4}$ " rinse chamber connections	51511938
13	Pneumatic drive complete: Ball valve drive (pos. 13) + pneumatic terminal block (pos. 13), with pneumatic limit position switches	51512709
	Pneumatic drive complete: Ball valve drive (pos. 13) + pneumatic terminal block (pos. 13), with electric limit position switches (+ an additional electric limit position switch at the ball valve drive)	51512710
14	Manual ball valve drive (hand movement)	on request
16	Set of pneumatic limit switches For assembly version: – pneumatic 2 pieces	51502874
17	Set of electric limit switches, Ex and Non-Ex For assembly version: – pneumatic 2 pieces	51502873
18	M12x1 stopper For assembly version: – pneumatic, without limit switch 10 pieces	51503733
19	Stop bolt	51503731
21	Check valve (inlet safety seal) for G $\frac{1}{4}$ " rinse chamber connection	51511939
	Check valve (inlet safety seal) for NPT $\frac{1}{4}$ " rinse chamber connection	51511940
22	Ball valve, without drive, PP-EPDM	51512699
	Ball valve, without drive, PP-VITON	51512700
	Ball valve, without drive, PP-perfluorelastomer	51512701
	Ball valve, without drive, PVDF-EPDM	51512702
	Ball valve, without drive, PVDF-VITON	51512703
	Ball valve, without drive, PVDF-perfluorelastomer	51512704
23	DN 50 thread nut (for flow vessel CPA240)	on request

Position	Description and kit content	Spare part kit order no.
24	Retractable pipe for liquid KCl electrodes, length 425 mm (16.73 inches) incl. protection tube and KCl hood For assembly version: – pneumatic (short immersion depth only)	71099157
	Retractable pipe for liquid KCl electrodes, length 425 mm (16.73 inches) incl. protection tube and KCl hood For assembly version: – manual (short immersion depth only)	71099159
25	M6x45 screws, DIN 69612 For assembly version: – long, immersion depth up to 207 mm (8.15 inches) 20 pieces	51503738
25-27	PA cylinder, with O-rings and cylinder head For assembly version: – long, immersion depth up to 207 mm (8.15 inches)	71042130
	SS 1.4404 (AISI 316L) cylinder with O-rings and cylinder head, For assembly version: – long, immersion depth up to 207 mm (8.15 inches)	71042134
28	Flange DN 50 (DIN 1092-1), with PEEK scraper ring and counter pulley	on request
	Flange ANSI 2", with PEEK scraper ring and counter pulley	on request
33	For CPA474 delivered from 05/01/2005 (from serial no. 75xxxx05A04): Set of gaskets with scraper ring, in contact with medium EPDM, for food applications	51518483
	For CPA474 delivered from 05/01/2005 (from serial no. 75xxxx05A04): Set of gaskets with scraper ring, in contact with medium VITON, for process applications	51518484
	For CPA474 delivered from 05/01/2005 (from serial no. 75xxxx05A04): Set of gaskets with scraper ring, in contact with medium Perfluoro elastomer, for special applications	51518485

7.5 Return

If the assembly has to be repaired, please return it **cleaned** to the appropriate sales center. Please use the original packaging, if possible.

Please enclose the completed "Declaration of Hazardous Material and De-Contamination" (copy the second last page of these Operating Instructions) with the packaging and the transportation documents.

No repair without completed "Declaration of Hazardous Material and De-Contamination"!

7.6 Disposal

Remove electronic components, e.g. electric limit position switches. Dispose of these components in accordance with regulations on the disposal of electronic waste.

You have to separately dispose of pressure cylinder, sensor holder and other components according to their material.

Please observe local regulations.

8 Technical data

8.1 Environment

Ambient temperature	Ambient temperature not below 0 °C (32 °F). With an optional inlet/outlet safety seal, the ambient temperature may not exceed 80 °C (176 °F).
----------------------------	--

8.2 Process

Process pressure	PA pressure cylinder:	max. 6 bar (87 psi)
	Stainless steel pressure cylinder:	max. 10 bar (145 psi) at 40 °C (104 °F)
	Pneumatic outlet safety seal:	continuous operation: 10 bar (145 psi) / 40 °C (104 °F) short time (max. 1 h): 4 bar (72.5 psi) / 130 °C (266 °F)
	Manual outlet safety seal:	10 bar (145 psi) / 20 °C (68 °F), 2 bar (29 psi) / 130 °C (266 °F)
Process temperature	See pressure-temperature diagram.	

Pressure temperature diagram

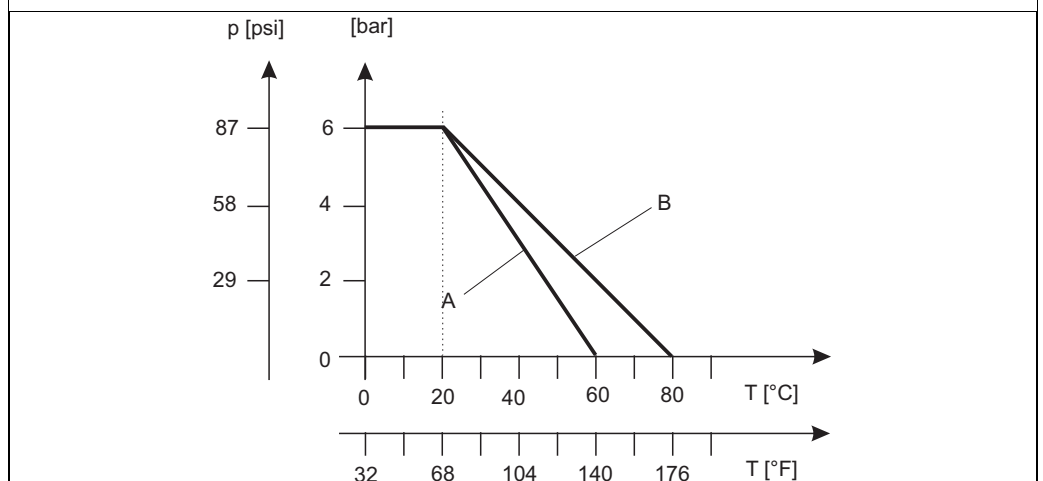


Fig. 43: Pressure-temperature diagram CPA474 version with plastic pressure cylinder (PA)

A Electrode holder + ball valve PP

B Electrode holder PEEK/PVDF, ball valve PVDF

20013415

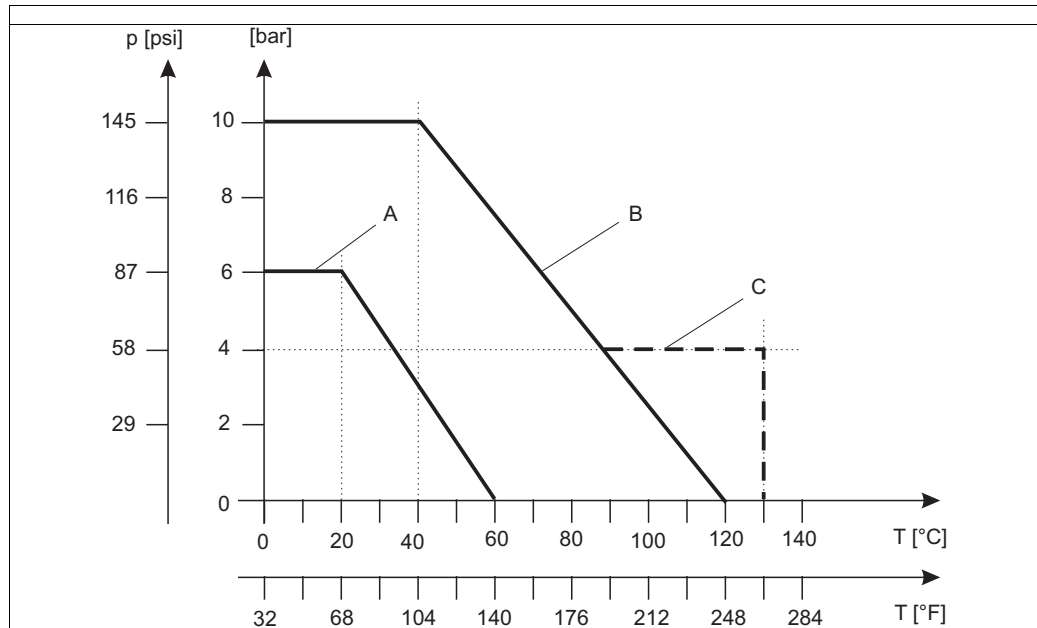


Fig. 44: Pressure-temperature diagram CPA474 version with stainless steel pressure cylinder

- A Electrode holder + ball valve PP
- B Electrode holder PEEK/PVDF, ball valve PVDF
- C Electrode holder PEEK/PVDF, ball valve PVDF, short time (max. 1 hr)

Flow velocity

Note!
 A flow of 2 m/s (6 ft/s) should not be exceeded as otherwise measurable effects (potential) can develop at the electrode.



Caution!
 During insertion/retraction the process pressure may not exceed 4 bar (58 psi) with manually actuated assemblies!

8.3 Mechanical construction

Design, dimensions	see chapter "Installation"	
Sensors	Short version	pH glass electrodes, Gel, 225 mm (8.9") pH glass electrodes, KCl, 425 mm (16.7") pH ISFET sensors, Gel, 225 mm (8.9") pH ISFET sensors, KCl, 425 mm (16.7")
	Long version	pH glass electrodes, Gel, 360 mm (14.2") pH ISFET sensors, Gel, 360 mm (14.2")
Weight	3 - 8 kg (6.6 - 17.6 lb), depending on the pressure cylinder material, the process connection, the drive and additional equipment, see product structure.	
Materials (in contact with medium)	Seals Electrode holder Ball valve Inlet safety seal Outlet safety seal Rinse connection socket	EPDM / FPM / perfluoroelastomer PP / PEEK / PVDF PP / PVDF PVDF, PTFE, Viton® PVDF PVDF
Materials (not in contact with medium)	Pressure cylinder Process flange ¹⁾ El. limit position switch	PA / stainless steel 1.4404 (AISI 316 L) stainless steel 1.4404 (AISI 316 L) fore-part PBT, cable PVC
Rinse fittings	2 x G¼ (internal) or 2 x NPT ¼" (internal)	

1) for stainless steel assembly version

Index

A

Accessories	
Cables	37
Flow assembly	35
Hose connectors	35
Inlet and outlet safety seal	36
Limit position switches	35
Pneumatic throttle	35
Pressure reducer	35
Rinse connection adapter	35
Sensors	36
Topcal	37
Transmitters	37
Water filter	35
Assembly	
Cleaning	28

B

Ball valve position	25
---------------------	----

C

Cables	37
Calibration	29
Certificates	6
Checking	
Installation	22
Cleaning	
Agents	29
Assembly	28
Sensor	28
Cleaning interval	28
Commissioning	4, 23
Compressed air connection	15
Connection	
Compressed air	15–16
Rinse water	17

D

Designated use	4
Dimensions	9
Dirt trap	35
Disposal	42

E

Environment	43
-------------	----

F

Flow assembly	35
---------------	----

G

Gel sensors	21
-------------	----

I

Icons	5
Immersion depth	9
Incoming acceptance	8
Inlet safety seal	18, 36
Installation	4, 8, 14
Immersion depth	9
ISFET sensor	8

L

Limit position switch	15
Limit position switches	35
Liquid KCl sensor	22

M

Maintenance	28
Maintenance interval	28
Manual operation	23
Measuring	23, 26
Measuring system	14
Mechanical construction	44
Medium	13

N

Nameplate	6
-----------	---

O

Operating elements	23
Operation	4
Manually	23
Pneumatically	24
Operational safety	4
Ordering information	7
Outlet safety seal	18–19, 36

P

Packing sleeve	34
Parts	
Replacing	38
Pneumatic connection	15
Pneumatic operation	24
Pneumatic terminal block	16
Pneumatic throttle	15, 35
Pressure reducer	35
Pressure surges	15, 17
Process	43
Process adapter	34
Process connection	10
Process pressure	10, 13
Product structure	7

R	
Replacing	
Parts	38
Seals	30
Retractable pipe	20
Return	4, 42
Rinse chamber	19
Inlet safety seal	18
Outlet safety seal	18
Rinse connection adapter	35
Rinse water connection	17
S	
Safety icons	5
Scope of delivery	6
Scraper function	13
Sealing system	12
Sealing-water function	12
Sensor	
Cleaning	28
Sensor holder	20
Sensors	36
Service	23, 27
Spare parts	39
Splash protection cap	20
Stop lock bolt	20, 23
Storage	8
Symbols	5
T	
Technical data	43
TopCal	37
Transmitters	37
Transport	8
U	
Use	4
W	
Wall spacing	9
Water filter	35

Declaration of Hazardous Material and De-Contamination Erklärung zur Kontamination und Reinigung

RA No.

Please reference the Return Authorization Number (RA#), obtained from Endress+Hauser, on all paperwork and mark the RA# clearly on the outside of the box. If this procedure is not followed, it may result in the refusal of the package at our facility.
Bitte geben Sie die von E+H mitgeteilte Rücklieferungsnummer (RA#) auf allen Lieferpapieren an und vermerken Sie diese auch außen auf der Verpackung. Nichtbeachtung dieser Anweisung führt zur Ablehnung ihrer Lieferung.

Because of legal regulations and for the safety of our employees and operating equipment, we need the "Declaration of Hazardous Material and De-Contamination", with your signature, before your order can be handled. Please make absolutely sure to attach it to the outside of the packaging.

Aufgrund der gesetzlichen Vorschriften und zum Schutz unserer Mitarbeiter und Betriebseinrichtungen, benötigen wir die unterschriebene "Erklärung zur Kontamination und Reinigung", bevor Ihr Auftrag bearbeitet werden kann. Bringen Sie diese unbedingt außen an der Verpackung an.

Type of instrument / sensor

Geräte-/Sensortyp _____

Serial number

Seriennummer _____

Used as SIL device in a Safety Instrumented System / Einsatz als SIL Gerät in Schutzeinrichtungen

Process data/ Prozessdaten

Temperature / Temperatur _____ [°F] _____ [°C] Pressure / Druck _____ [psi] _____ [Pa]
Conductivity / Leitfähigkeit _____ [µS/cm] Viscosity / Viskosität _____ [cp] _____ [mm²/s]

Medium and warnings

Warnhinweise zum Medium



	Medium /concentration Medium /Konzentration	Identification CAS No.	flammable entzündlich	toxic giftig	corrosive ätzend	harmful/ irritant gesundheitsschädlich/ reizend	other * sonstiges*	harmless unbedenklich
Process medium Medium im Prozess								
Medium for process cleaning Medium zur Prozessreinigung								
Returned part cleaned with Medium zur Endreinigung								

* explosive; oxidising; dangerous for the environment; biological risk; radioactive

* explosiv; brandfördernd; umweltgefährlich; biogefährlich; radioaktiv

Please tick should one of the above be applicable, include safety data sheet and, if necessary, special handling instructions.

Zutreffendes ankreuzen; trifft einer der Warnhinweise zu, Sicherheitsdatenblatt und ggf. spezielle Handhabungsvorschriften beilegen.

Description of failure / Fehlerbeschreibung _____

Company data / Angaben zum Absender

Company / Firma _____	Phone number of contact person / Telefon-Nr. Ansprechpartner: _____
Address / Adresse _____	Fax / E-Mail _____
_____	Your order No. / Ihre Auftragsnr. _____

"We hereby certify that this declaration is filled out truthfully and completely to the best of our knowledge. We further certify that the returned parts have been carefully cleaned. To the best of our knowledge they are free of any residues in dangerous quantities."

"Wir bestätigen, die vorliegende Erklärung nach unserem besten Wissen wahrheitsgetreu und vollständig ausgefüllt zu haben. Wir bestätigen weiter, dass die zurückgesandten Teile sorgfältig gereinigt wurden und nach unserem besten Wissen frei von Rückständen in gefahrbringender Menge sind."

(place, date / Ort, Datum)

Name, dept./Abt. (please print / bitte Druckschrift)

Signature / Unterschrift

www.endress.com/worldwide

Endress+Hauser 

People for Process Automation

