



Level



Pressure



Flow



Temperature



Liquid
Analysis



Registration



Systems
Components



Services

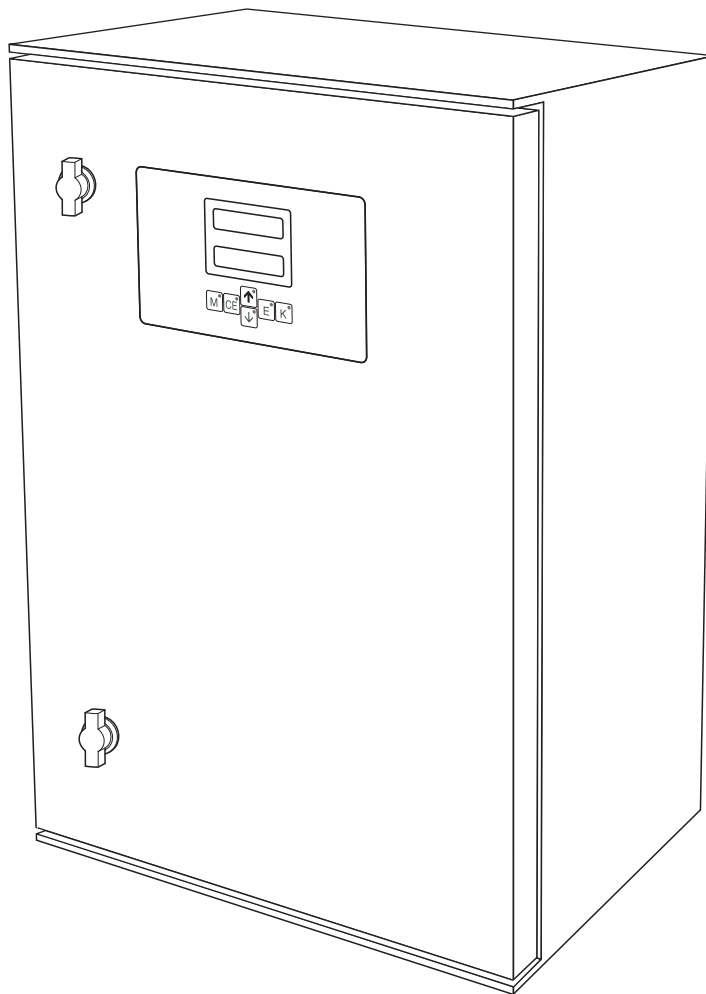


Solutions

Operating Instructions

Stamolys CA71PH

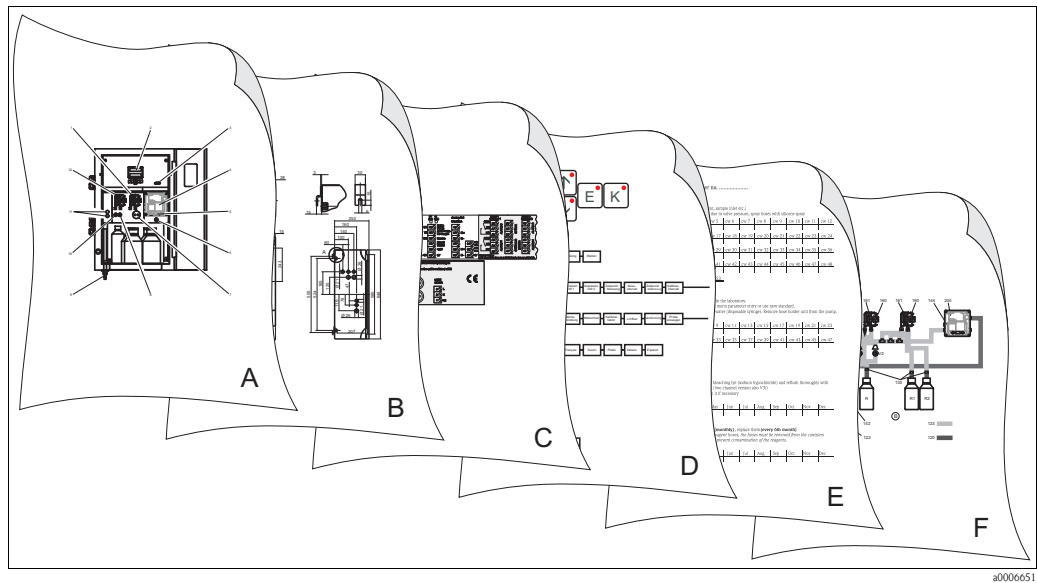
Phosphate analyzer



BA356C/07/en/05.09
71092653

Valid of:
Software version 5.9

Brief overview



40006651

	A
→ 8	Overview of analyzer: most important modules
	▼
	B
→ 9 → 12	Dimensions, installation conditions Installation instructions and installation examples
	▼
	C
→ 16 → 19	Terminal assignment Signals, switching contacts
	▼
	D
→ 24 → 29 → 53 → 32	Operation: configuration Calibration Operating matrix Commissioning
	▼
	E
→ 36 → 36 → 42	Maintenance schedule Replacing consumables and wear parts Accessories
	▼
	F
→ 44 → 46	Troubleshooting Spare parts
	▼
→ 50	Technical data

Table of contents

1	Safety instructions	4	8.5	Dilution module	43
1.1	Designated use	4	8.6	Additional accessories	43
1.2	Installation, commissioning and operation	4	9	Trouble-shooting	44
1.3	Operational safety	4	9.1	Trouble-shooting instructions	44
1.4	Return	4	9.2	System error messages	44
1.5	Notes on safety icons and symbols	5	9.3	Process errors without messages	45
2	Identification	6	9.4	Spare parts	46
2.1	Device designation	6	9.5	Software history	48
2.2	Scope of delivery	7	9.6	Return	49
2.3	Certificates and approvals	7	9.7	Disposal	49
3	Installation	8	10	Technical data	50
3.1	The analyzer at a glance	8	10.1	Input	50
3.2	Incoming acceptance, transport, storage	9	10.2	Output	50
3.3	Installation conditions	9	10.3	Power supply	51
3.4	Installation instructions	12	10.4	Performance characteristics	51
3.5	Installation examples	14	10.5	Environment	52
3.6	Post-installation check	14	10.6	Process	52
4	Wiring	15	10.7	Mechanical construction	52
4.1	Electrical connection	15	11	Appendix	54
4.2	Signal connection	18	11.1	Operating matrix	54
4.3	Switching contacts	19	11.2	Ordering forms	58
4.4	Serial interface	20	11.3	Analyzer settings	61
4.5	Post-connection check	21	11.4	Maintenance schedule	63
5	Operation	22	Index	64	
5.1	Display and operating elements	22			
5.2	Local operation	22			
5.3	Calibration	29			
6	Commissioning	32			
6.1	Function check	32			
6.2	Switch-on	32			
7	Maintenance	36			
7.1	Maintenance schedule	36			
7.2	Replacing reagents	36			
7.3	Replacing pump hoses	37			
7.4	Replacing valve hoses	39			
7.5	Replacing the static mixer	40			
7.6	Replacing the photometer optical cell	40			
7.7	Cleaning	41			
7.8	Placing out of service	41			
8	Accessories	42			
8.1	Collecting vessel	42			
8.2	Reagents, cleaner, standard solutions	42			
8.3	Maintenance kit	42			
8.4	Hose cleaner	42			

1 Safety instructions

1.1 Designated use

The analyzer is a compact photometric analysis system.

It is designed for the monitoring of the phosphate content in cooling water cycles and in wastewater.

In particular, CA71 is designated for:

- monitoring and optimizing the cleaning capacity of sewage treatment plants
- monitoring activated sludge basins
- controlling of precipitant addition.

Any other use than the one described here compromises the safety of persons and the entire measuring system and is not permitted.

The manufacturer is not liable for damage caused by improper or non-designated use.

1.2 Installation, commissioning and operation

Please note the following items:

- Installation, commissioning, operation and maintenance of the measuring system must only be carried out by trained technical personnel.
Trained personnel must be authorized for the specified activities by the system operator.
- Electrical connection must only be carried out by a certified electrician.
- Technical personnel must have read and understood these Operating Instructions and must adhere to them.
- Before commissioning the entire measuring point, check all the connections. Ensure that electrical cables and hose connections are not damaged.
- Do not operate damaged products and secure them against unintentional commissioning.
Mark the damaged product as being defective.
- Measuring point faults may only be rectified by authorized and specially trained personnel.
- If faults can not be rectified, the products must be taken out of service and secured against unintentional commissioning.
- Repairs not described in these Operating Instructions may only be carried out at the manufacturer's or by the service organization.

1.3 Operational safety

The analyzer has been designed and tested to the highest standards and left the factory in perfect functioning order.

Relevant regulations and European standards have been met.

As the user, you are responsible for complying with the following safety conditions:

- Installation instructions
- Local prevailing standards and regulations.

1.4 Return

If the analyzer has to be repaired, please return it *cleaned* to the responsible sales center.
Please use the original packaging, if possible.

Please enclose the completed "Declaration of contamination" (copy the second last page of these Operating Instructions) with the packaging and the transportation documents.

No repair without completed "Declaration of contamination"!

1.5 Notes on safety icons and symbols



Warning!

This symbol alerts you to hazards that can cause serious damage to the instrument or to persons if ignored.



Caution!

This symbol alerts you to possible faults which could arise from incorrect operation. They could cause damage to the instrument if ignored.



Note!

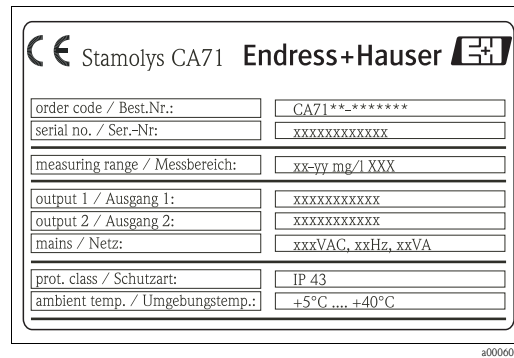
This symbol indicates important items of information.

2 Identification

2.1 Device designation

2.1.1 Nameplate

Compare the order code on the nameplate (on the analyzer) to the product structure and your order.



You can read the following information from the nameplate:

- Order code (device version)
- Serial number
- Measuring range
- Outputs and communication
- Power supply
- Ingress protection
- (Permitted) ambient temperature

Fig. 1: Nameplate

2.1.2 Product structure

Measuring range	
A	Measuring range 0.05 to 2.5 mg/l PO ₄ -P (blue)
B	Measuring range 0.5 to 20 mg/l PO ₄ -P (yellow)
D	Measuring range 0.5 to 50 mg/l PO ₄ -P (yellow)
E	Measuring range 0.05 to 10 mg/l PO ₄ -P (blue)
Y	Special version acc. to customer's specification
Sample transfer	
1	Sample transfer from one measuring point (one-channel version)
2	Sample transfer from two measuring points (two-channel version)
Power supply	
0	230 V AC / 50 Hz
1	115 V AC / 60 Hz
2	115 V AC / 50 Hz
3	230 V AC / 60 Hz
Collecting vessel for up to 3 analysers	
A	Without collecting vessel
B	With collecting vessel without level measurement
C	With collecting vessel with level measurement (one-channel version only)
D	With two collecting vessels without level measurement (two-channel version)
Housing version	
1	Without housing
2	With GFK housing
3	With stainless steel 1.4301 (AISI 304) housing
Communication	
A	0/4 to 20 mA, RS 232
Additional equipment	
1	Quality certificate
2	Quality certificate + set of inactive reagents PH-A+E
3	Quality certificate + 3 sets of inactive reagents PH-A+E
4	Quality certificate + set of inactive reagents PH-B+D
5	Quality certificate + 3 sets of inactive reagents PH-B+D
CA71PH -	complete order code

2.2 Scope of delivery



Note!

Please, order reagents separately with analyzer version CA71XX-XXXXXX1.

With all other versions, inactive reagents are included in the scope of delivery. You have to mix the reagents before using them. Please, read the instructions attached to the reagents.

The scope of delivery comprises:

- an analyzer with mains plug
- a cleaning injector
- a tin of silicone spray
- a Norprene hose, length 2.5 m (8.2 ft), ID 1.6 mm (0.06 inch)
- a C-flex hose, length 2.5 m (8.2 ft), ID 6.4 mm (0.25 inch)
- a C-flex hose, length 2.5 m (8.2 ft), ID 3.2 mm (0.13 inch)
- two hose fittings of each size:
 - 1.6 mm x 1.6 mm (0.06 inch x 0.06 inch)
 - 1.6 mm x 3.2 mm (0.06 inch x 0.13 inch)
 - 6.4 mm x 3.2 mm (0.25 inch x 0.13 inch)
- two T-hose fittings of each size:
 - 1.6 mm x 1.6 mm x 1.6 mm (0.06 inch x 0.06 inch x 0.06 inch)
 - 3.2 mm x 3.2 mm x 3.2 mm (0.13 inch x 0.13 inch x 0.13 inch)
- an interference suppressor for the current output
- 4 edge covers
- a quality certificate
- Operating Instructions (English).

2.3 Certificates and approvals

2.3.1 CE approval

Declaration of conformity

The product meets the requirements of the harmonized European standards. It thus complies with the legal requirements of the EC directives.

The manufacturer confirms successful testing of the product by affixing the CE symbol.

2.3.2 Manufacturer certificate

Quality certificate

With the certificate the manufacturer confirms compliance with all technical regulations and the successful testing individually for your product.

3 Installation

3.1 The analyzer at a glance

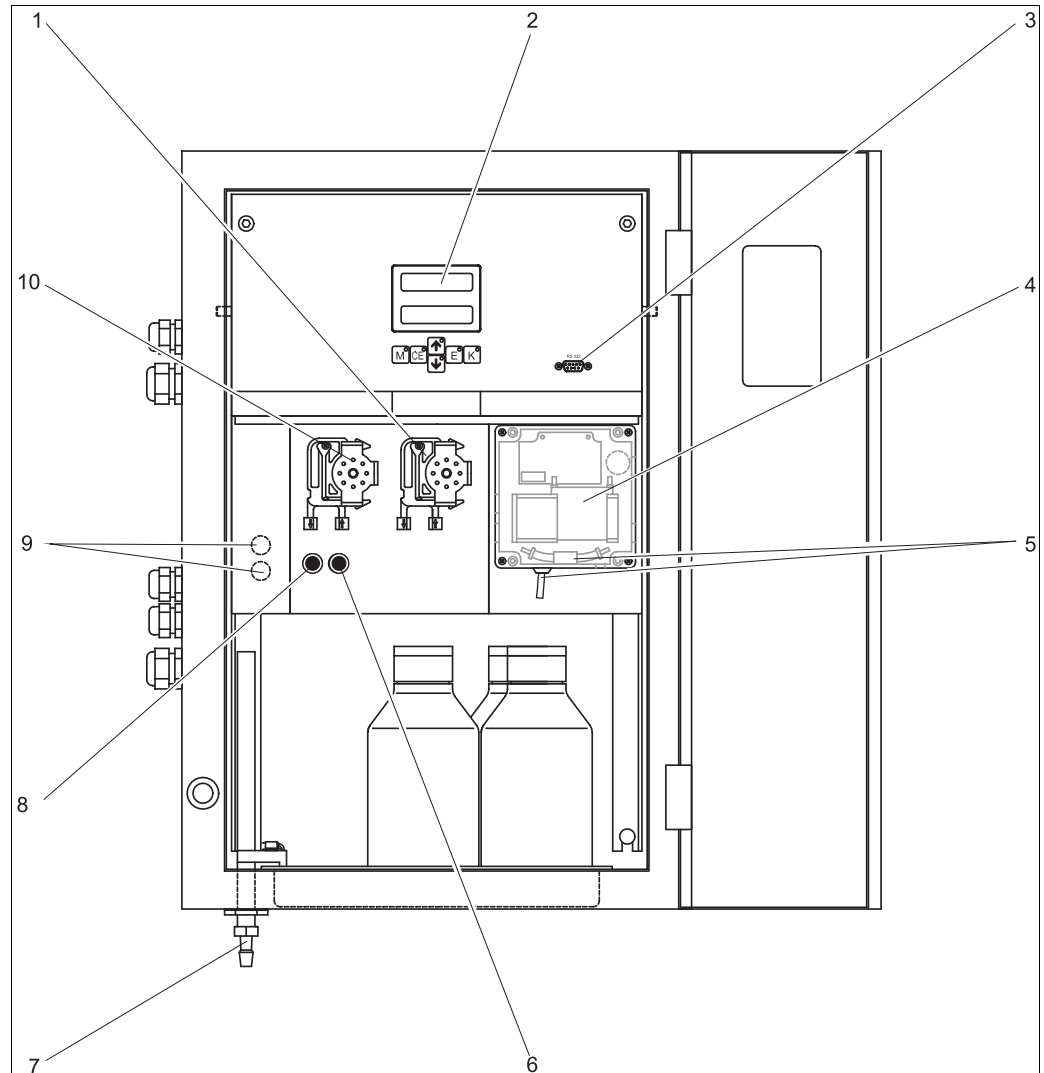


Fig. 2: Analyzer (cabinet version, without hoses)

1	Reagent pump (P2), inlet from canister	6	Valve V2
2	Display	7	Outlet of sample resp. reagent mix
3	Serial interface RS 232	8	Valve V1
4	Photometer cell	9	Channel switchover: top ch. 1, bottom ch. 2 ¹⁾
5	Static mixer	10	Sample pump P1, inlet s. below

1) two-channel version only

Inlet to the sample pump:

- Valve V1
 - hose in front: sample inlet
 - hose at the back: inlet from valve V2 (cleaner or standard solution)
- Valve V2
 - hose in front: inlet from canister with standard solution
 - hose at the back: inlet from canister with cleaner

3.2 Incoming acceptance, transport, storage

- Make sure the packaging is undamaged!
Inform the supplier about any damage to the packaging.
Keep the damaged packaging until the matter has been settled.
- Make sure the contents are undamaged!
Inform the supplier about damage to the contents. Keep the damaged products until the matter has been settled.
- Check that the order is complete and agrees with your shipping documents.
- The packaging material used to store or to transport the product must provide shock protection and humidity protection. The original packaging offers the best protection. Also, keep to the approved ambient conditions (see "Technical data").
- If you have any questions, please contact your supplier or your local sales center.

3.3 Installation conditions

3.3.1 Design, dimensions

Version with stainless steel housing

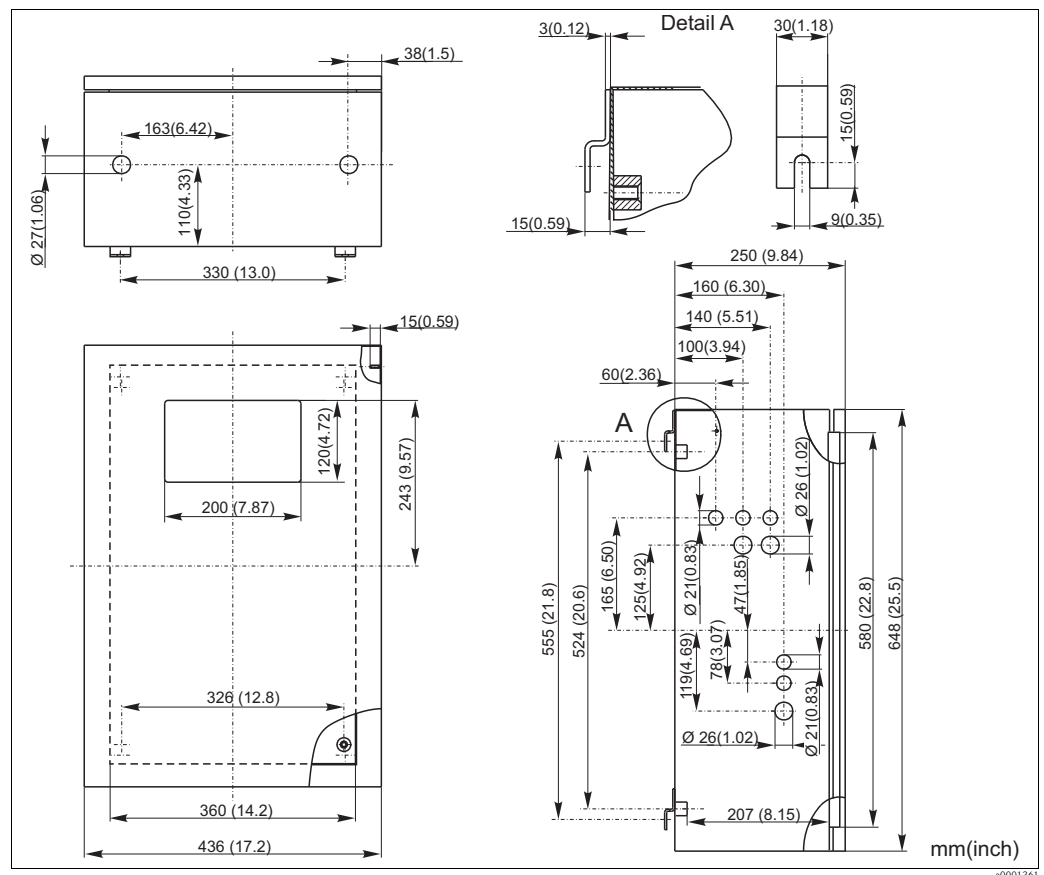


Fig. 3: Stainless steel version

Version with GFR housing

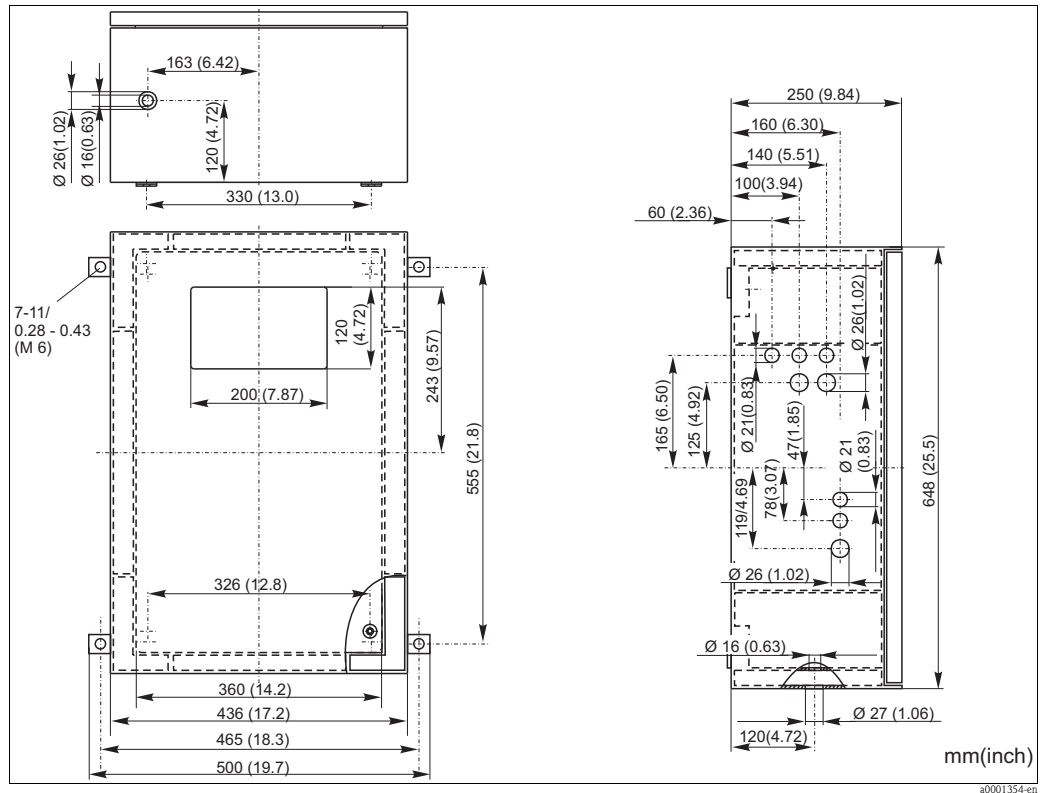


Fig. 4: GFR version

Open version

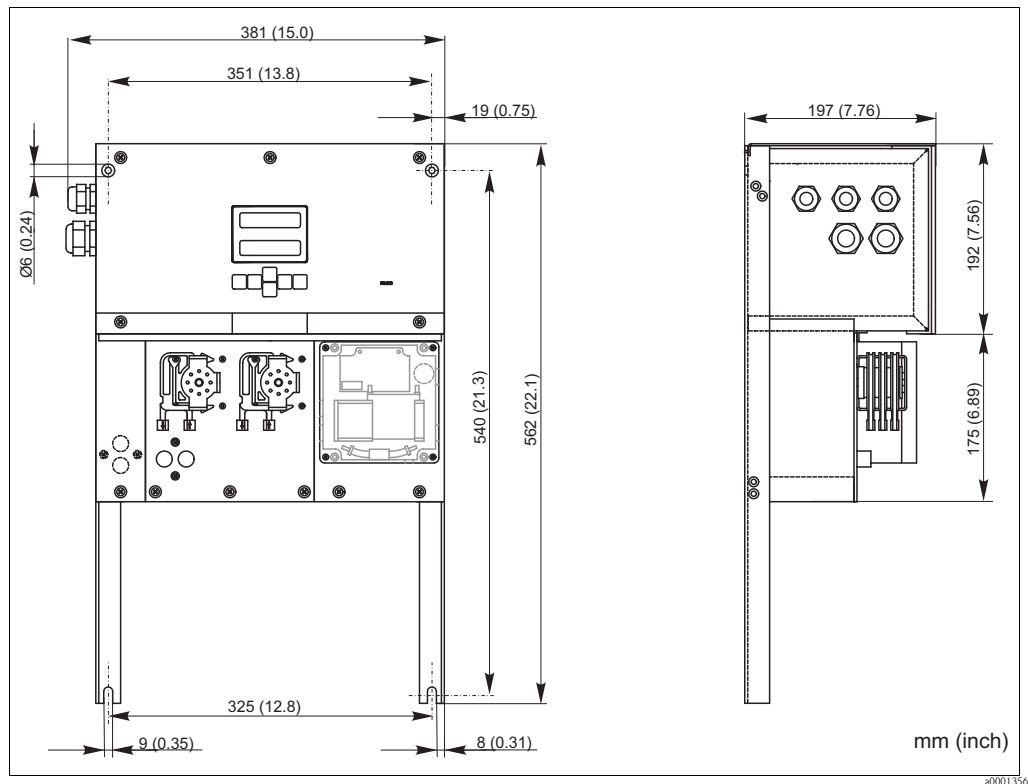


Fig. 5: Open version (without housing)



Note!

With the open version, you need an additional platform for the reagents. Mount this platform max. 35 cm (13.8 inch) below the pumps. The reagent bottles have the following dimensions: 90 x 90 x 215 mm (3.54 x 5.54 x 8.46 inch). The number of bottles varies from 2 to 5 depending on the analyzer version.

For these versions, the outlet pipe must be installed right of the analyzer. See the supplement to the Operating Instructions.

The outlet pipe must be mounted to a wall so that the sample outlet hoses from the photometer have a gradient of 5 to 10 %. If necessary, extend the hoses.

3.3.2 Connecting the sample line

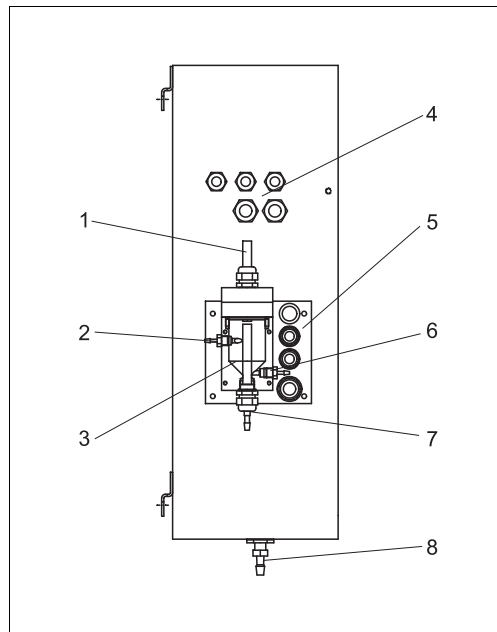


Abb. 6: Collecting vessel at analyzer (optional)

- 1 Ventilation
- 2 Sample inlet from sampling
- 3 Collecting vessel
- 4 Electrical connections
- 5 Analyzer sample inlet

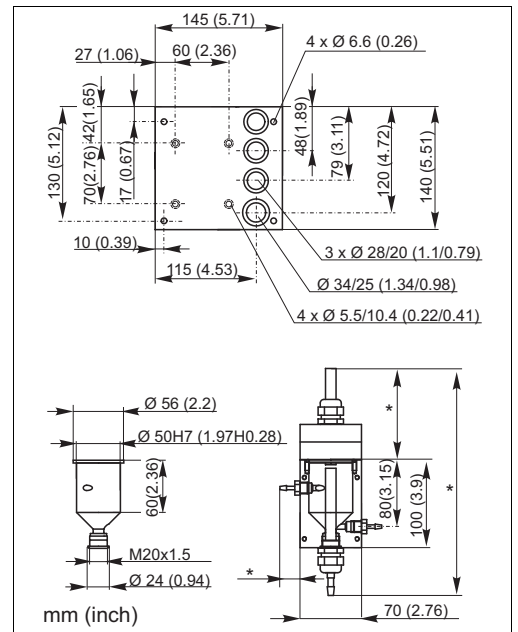


Abb. 7: Collecting vessel dimensions

- * variable, freely adjustable dimensions
- 6 Sampling for analyzer
- 7 Sample overflow
- 8 Analyzer outlet

One-channel version

Collecting vessel (at analyzer, with or without level measurement)

Connection hose ID 3.2 mm (0.13 inch)

Customer collecting vessel

Connection hose ID 1.6 mm (0.06 inch)

Max. distance from collecting vessel to analyzer 1 m (3.3 ft)



Max. height difference from collecting vessel to analyzer 0.5 m (1.6 ft)

Two-channel version

- Depending on the ordered version, one or two collecting vessels (with or without level measurement) are included in the scope of delivery.
- Level measurement is only possible for one channel.
- Only one collecting vessel can be mounted at the housing. The second is to be placed nearby the analyzer.

Adjusting the level measurement (one-channel version only)

Adjust the conductive level measurement due to the number of connected analysers.

1. In dependence of the application, mount the right adjusting pin or no adjusting pin (→  8 and →  9, position 2).
2. To receive an optimum sample volume, pull the marked pipe (position 3) downwards due to your application (1, 2 or 3 analysers).

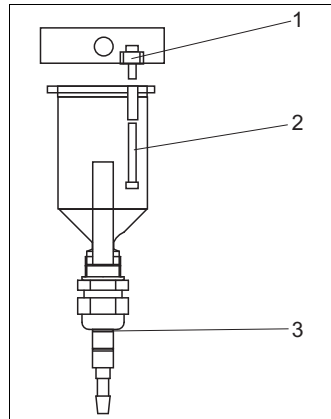


Fig. 8: One analyser

- | | |
|---|----------------|
| 1 | M 3x12 (0.47") |
| 2 | M 3x35 (1.38") |
| 3 | Mark 1 |

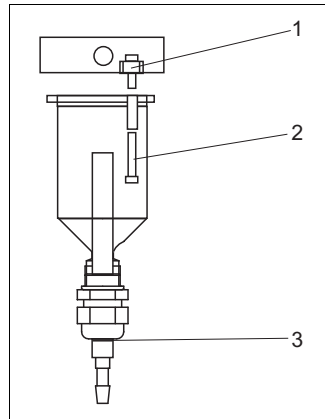


Fig. 9: Two analysers

- | | |
|---|----------------|
| 1 | M 3x12 (0.47") |
| 2 | M 3x20 (0.79") |
| 3 | Mark 2 |

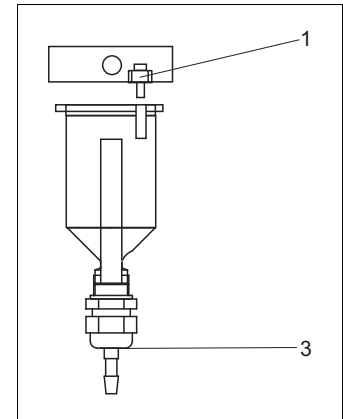


Fig. 10: Three analysers

- | | |
|---|----------------|
| 1 | M 3x12 (0.47") |
| 3 | Mark 3 |

3.4 Installation instructions

To install the analyzer at the intended location, proceed as follows:

1. Mount the analyzer and secure it to a wall using screws (Ø6 mm / 0.24"). For the installation dimensions, please see the previous chapter.
2. Using a spirit level, check that the cabinet is hanging or standing straight. Only in this way can any air bubbles present escape from the cell.
3. Fit the edge covers (with GFR housing only).
4. Lay the drain pipe for the reaction products. Where possible, use solid pipes (PVC or PE, internal diameter 1" with 3% incline).
5. Screw the screw-in connector ID 16 into the outlet pipe from below. Secure the Grifflex hose ID 19 to the nozzle with a hose clip (only CA71PH-F).
6. Insert the valve hoses accordingly. These were partly removed from the valves for transportation. This prevents the hoses from sticking or pressure being applied to a point in the hose over an extended period.

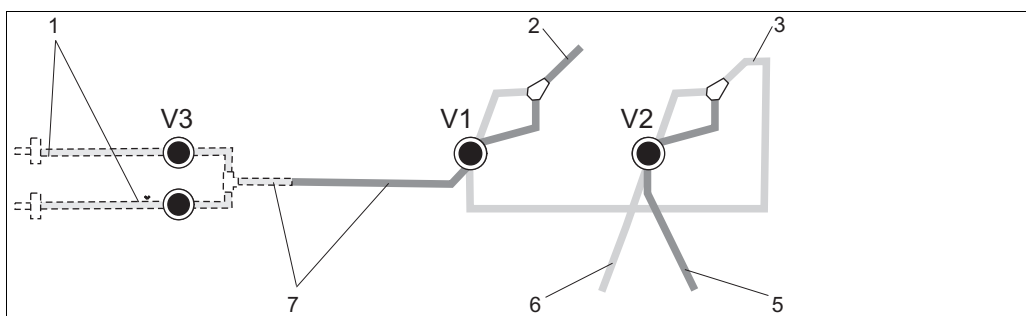


Fig. 11: Valves and valve hoses CA71

V1-4 Valves

1 Channel switchover

2 To sample pump

3 Connecting hose to valve 1, at rear

4 Outlet hose

5 Hose, valve 2 at front, standard

6 Hose, valve 2 at rear, cleaner

7 Hose, valve 1 at front, sample

- Secure the hose boxes in the appropriate pump holders:
Sample pump left, reagent pump right. The direction of flow of the sample and reagent must be counterclockwise.

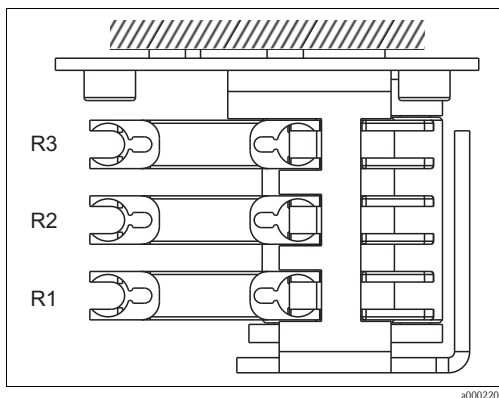


Fig. 12: Reagent pump, top view

R1 Reagent 1

R2 Reagent 2 (if present)

R3 Reagent 3 (if present)

- Connect the sample supply.

Note!

The sample can be obtained as follows:

- Directly or via a reversible flow filter or a cross-flow filter by means of a small pump (rating approx. 300 ml/min), suitable for clear media, e.âg. in the outlet of a sewage treatment plant
- From microfiltration; this is practical for media containing flocculants, e.âg. in an activated sludge basin
- Sample conditioning using ultrafiltration for contaminated media, e.âg. from the primary settling tank.

For questions regarding sample conditioning and its automation, please contact Service or the sales center responsible for your region.

- Connect the tubes from canisters containing reagents, standards and cleaning agents to the following nozzles:

Canister	Tube designation (mark)
Sample	P
Reagent 1	PH1
Reagent 2	PH2
Standard solution	S
Cleaner	R

3.5 Installation examples

3.5.1 CAT430 or customer-specific ultra filtration and two CA71 analyzers

- Permeate can contain air bubbles (CAT430) or is free of bubbles (customer-supplied ultrafiltration)
- Distance between the analysers as short as possible: sampling line between T-piece and the second analyser (→ Fig. 13, item 2) shorter than 1.5 m
- Cross-section of sampling line ID 3.2 - 4 mm
- Only one sample receiver required

 **Note!**

Ensure that there is always sufficient sample available for both analysers. Observe this when selecting maintenance intervals for CAT430 and when setting the buffer volume on the collecting vessel.

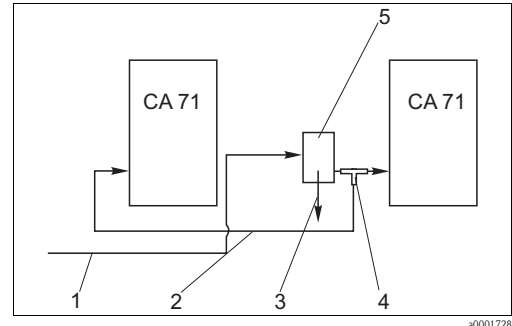


Fig. 13: Installation example

- 1 Sample from CAT430
- 2 Sampling line
- 3 Sample receiver overflow
- 4 T-piece
- 5 Collecting vessel

3.5.2 CAT411, CAT430 and two CA71 analyzers (two-channel version)

- Permeate not free of air bubbles
- Distance between the analysers as short as possible: sampling line between T-piece and the second analyser (→ Fig. 14, item 5) shorter than 1.5 m
- Cross-section of sampling line ID 3.2 - 4 mm
- One sample receiver each (**without level measurement**) for CAT411 or CAT430

 **Note!**

Ensure that there is always sufficient sample available for both analysers. Observe this when selecting maintenance intervals for CAT411 and CAT430.

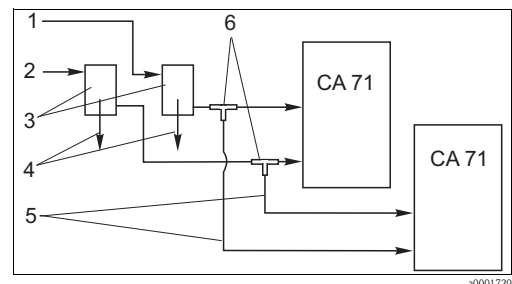


Fig. 14: Installation example

- 1 Sample from CAT430
- 2 Sample from CAT411
- 3 Collecting vessel
- 4 Collecting vessel overflow
- 5 Sampling lines
- 6 T-pieces

3.6 Post-installation check

- After installation, check that all connections are fitted tightly and are leakage resistant.
- Ensure that the hoses cannot be removed without effort.
- Check all hoses for damage.

4 Wiring



Warning!

- The electrical connection must only be carried out by a certified electrician.
- Technical personnel must have read and understood the instructions in this manual and must adhere to them.
- Ensure that there is no voltage at the power cable before beginning the connection work.

4.1 Electrical connection


4.1.1 Quick wiring guide



Caution!

- You have to fold out the frame of the analyzer to reach the terminal block.
- Beforehand, release the hoses from the outlet pipe. Otherwise there is a danger of flooding.
- Connect the hoses again after folding the frame back in.

Fold out the frame as follows:

1. Release the two bottom Allen screws (AF 6) by 3-4 rotations (→  15, item 1).
2. Unscrew the two upper Allen screws completely so that the frame folds out. In this way, you reach the terminal block (item 2).

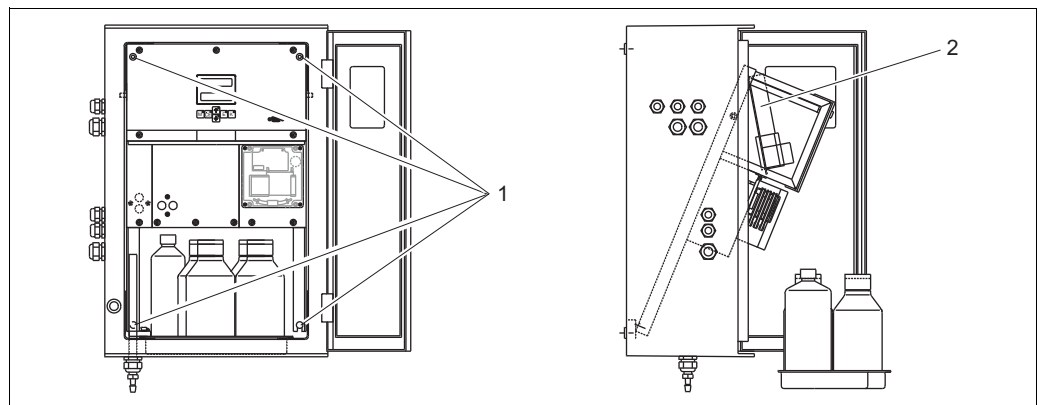


Fig. 15: Folding out the frame

- 1 Allen screws AF 6
2 Terminal strip



Note!

The device does not have a mains switch. Therefore, it is advantageous to have a fused socket near to the device.

4.1.2 Terminal assignment



Caution!

The following diagram shows an example of the connection compartment sticker (→ 16). The terminal assignment and cable colors can deviate from the actual assignment and colors!

Only use the terminal assignment of the sticker **in the device** (→ 17) to connect your analyzer!

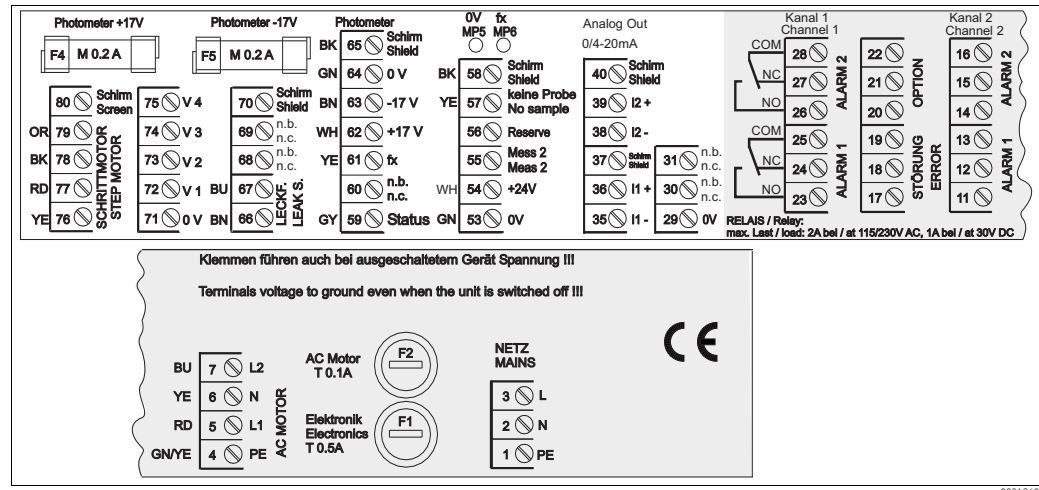


Fig. 16: Example of the connection sticker

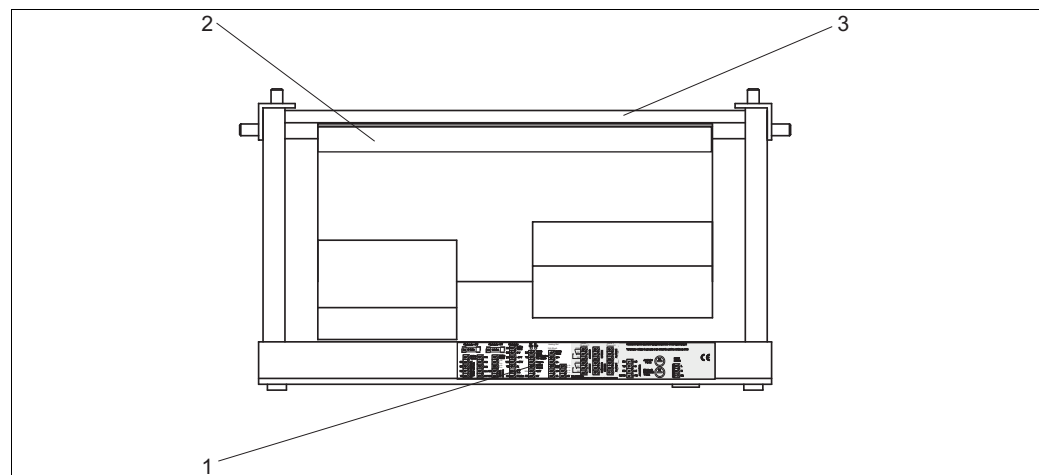


Fig. 17: Analyzer from top (open version resp. folded out)

- 1 Connection department sticker
- 2 Printed circuit board with terminal strip
- 3 Backside of the analyzer

Function	Designation	Terminal one channel	Terminal two channels
Mains	L	3	3
	N	2	2
	PE	1	1
Alarm value 1, channel 1	COM	25	25
	NC	24	24
	NO	23	23
Alarm value 2, channel 1	COM	28	28
	NC	27	27
	NO	26	26
Alarm value 1, channel 2	COM	–	13
	NC	–	12
	NO	–	11
Alarm value 2, channel 2	COM	–	16
	NC	–	15
	NO	–	14
Fault	COM	19	19
	NC	18	18
	NO	17	17
Reserve (unassigned terminals)	COM	22	22
	NC	21	21
	NO	20	20
Analog output 1 0/4 ... 20 mA	+	36	36
	–	35	35
	Screen	PE ¹	PE ¹
Analog output 2 0/4 ... 20 mA	+	–	39
	–	–	38
	Screen	–	PE ¹⁾
Sample conditioning remote control	Input	57	57
	0 V	53	53
Channel switch-over	Input	–	55
	0 V	–	53

1) Brass screw with bolt top right in the connection compartment (marked with ⊕)




Note!

- Alarm values 1 and 2 do not need to be connected if the PLC sets its own alarm values at the analog output.
- When using a sample conditioning system:
Connect terminals 57 and 53 on the analyser to the corresponding terminals on the sample conditioning system. For the allocation of these terminals, please see the sample conditioning system operating instructions.
- If there is a 24 V voltage at terminal 57, the analyser will not begin measurement (sample not ready). To start measurement, the voltage must stay at 0 V for at least 5 seconds.

4.2 Signal connection

4.2.1 Screening of the analog outputs

The interference suppressor attenuates electromagnetic effects on control, power and signal lines. After the connection of the data transfer cables clip the interference suppressor (in scope of delivery) on the cable cores (not on the outer insulation of the cable!). Place the cable screen out of the interference suppressor and connect it to PE (brass screw with bolt, top right in the connection compartment) (→  18).

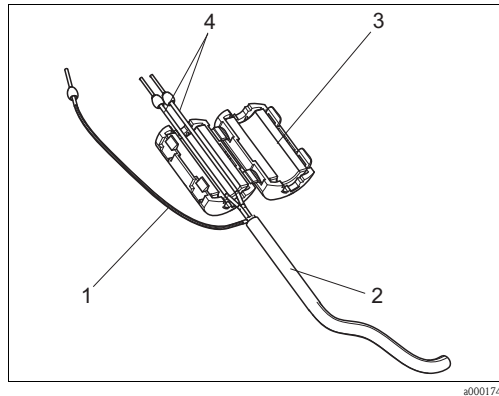


Fig. 18: Interference protection of the signal cable

- 1 Cable screen (to PE)
- 2 Signal cable
- 3 Interference suppressor
- 4 Cable cores of the signal cable



Note!

With the two-channel version, place the cable cores of all cables (data cables to analog output 1 and to analog output 2) through the interference suppressor.

4.2.2 One-channel version

Connection	Designation	Function
Signal inputs	Leak	Liquid has collected in the drip pan
	No sample	No sample available, measurement is not started, display flashes
Signal outputs	AV 1	Alarm value 1 exceeded or undershot
	AV 2	Alarm value 2 exceeded or undershot
	Fault	Retrieves error message using operation menu
	Measurement end	Displays "Measurement finished" (5 s)
Analog output	1-1 channel 1	0 or 4 mA = measuring range start 20 mA = measuring range end

4.2.3 Two-channel version

Connection	Designation	Function
Signal inputs	Leak	Liquid has collected in the drip pan
	No sample	No sample available, measurement is not started, display flashes
Signal outputs	AV 1-1	Alarm value 1, channel 1 exceeded or undershot
	AV 2-1	Alarm value 2, channel 1 exceeded or undershot
	AV 1-2	Alarm value 1, channel 2 exceeded or undershot
	AV 2-2	Alarm value 2, channel 2 exceeded or undershot
	Fault	Retrieves error message using operation menu
	Channel 1/2 or measurement end ¹⁾	Displays active channel Displays "Measurement finished" (5 s)
Analog output	1-1 channel 1	0 or 4 mA = measuring range start 20 mA = measuring range end
	1-2 channel 2	0 or 4 mA = measuring range start 20 mA = measuring range end
Channel selection	Meas. 2	0 V = channel 1 24 V = channel 2

1) Alternative selection

4.3 Switching contacts

One-channel version

Connection	Terminal connection for condition fulfilled	Terminal connection for condition not fulfilled	Terminal connection for power off
AV 1	A: 25 - 23 R: 25 - 24	A: 25 - 24 R: 25 - 23	25 - 24
AV 2	A: 28 - 26 R: 28 - 27	A: 28 - 27 R: 28 - 26	28 - 27
Fault	A: 19 - 17 R: 19 - 18	A: 19 - 18 R: 19 - 17	19 - 18
Unassigned	22 - 20 16 - 14 13 - 11	22 - 21 16 - 15 13 - 12	22 - 21 16 - 15 13 - 12

Two-channel version

Connection	Terminal connection for condition fulfilled	Terminal connection for condition not fulfilled	Terminal connection for power off
AV 1 - 1	A: 25 - 23 R: 25 - 24	A: 25 - 24 R: 25 - 23	25 - 24
AV 1 - 2	A: 13 - 11 R: 13 - 12	A: 13 - 12 R: 13 - 11	13 - 12
AV 2 - 1	A: 28 - 26 R: 28 - 27	A: 28 - 27 R: 28 - 26	28 - 27
AV 2 - 2	A: 16 - 14 R: 16 - 15	A: 16 - 15 R: 16 - 14	16 - 15
Fault	A: 19 - 17 R: 19 - 18	A: 19 - 18 R: 19 - 17	19 - 18
Channel 1/2 measurement end	A: 22 - 20 R: 22 - 21	A: 22 - 21 R: 22 - 20	22 - 21

A = NO current configured

R = NC current configured



Note!

Condition fulfilled means:

- AV 1: concentration > Alarm value 1
- AV 2: concentration > Alarm value 2
- Fault: error occurred

Contacts AV 1, AV 2 and fault are only affected during automatic operation.

4.4 Serial interface

RS 232 of CA 71		COM 1/2 at PC	
SUB-D, nine-pin	Function	Function	SUB-D, nine-pin
3	TxD	RxD	2
2	RxD	TxD	3
8	CTS	RTS	7
		CTS	8
5	GND	GND	5

Software protocol: 9600, N, 8, 1

Output format: ASCII

The results (measured value+unit of measure+CR) are output in the "Data memory Measured values" menu.

The calibration results (measured value+unit of measure+CR) are output in the "Data memory-Calibration factors" menu.



Note!

- A null modem cable is required (not a crossed one).
- The analyser does not have to be configured for the interface.

The following commands can be sent from the PC, in order to read out data:

- "D" = Data memory-Measured values
- "C" = Data memory-Calibration factors
- "S" = Setup (parameter entry, configuration...)
- "F" = Frequency (current)

4.5 Post-connection check

Carry out the following checks after electrical connection:

Device status and specifications	Note
Is the analyser or cable externally undamaged?	Visual inspection

Electrical connection	Note
Does the supply voltage correspond to the data on the nameplate?	230 V AC / 50 Hz 115 V AC / 60 Hz
Are current outputs screened and connected?	
Are the mounted cables relieved of tension?	
Cable type properly disconnected?	Guide power supply and signal lines separately over the entire travel distance. Separate cable channels are ideal.
Cable routing without scuffing or cross-overs?	
Are power supply and signal lines connected correctly according to wiring diagram?	
Are all screw terminals tightened?	
Are all cable entries mounted, tightened and leak-resistant?	
Interference suppressor at the analogue output?	
Current output simulation	See procedure below

Current output simulation:

1. Hold both arrow keys down (see "Display and operating elements" chapter) and connect the analyser to the mains or switch the mains switch on (if available). Wait until the display "0 mA" appears.
2. Check on your PLC, PCS or you data logger whether the current value is the same.
3. Press the key. Browse to the next current values (4, 12, 20 mA, depending on the setting).
4. Check that the respective current values are also on your PLC, PCS or your data logger.
5. If the values are not there:
 - a. Check the terminal assignment for analogue output 1 or 2.
 - b. Disconnect the analogue outputs from your PLC, PLS or your data logger and repeat steps 1-4 with the restriction that you measure the current values at the terminals of the analyser and not at the PLC, SPL or data logger.
If these current values are correct, please check your PLC, SPL, the data logger or the electrical cables.

5 Operation

5.1 Display and operating elements

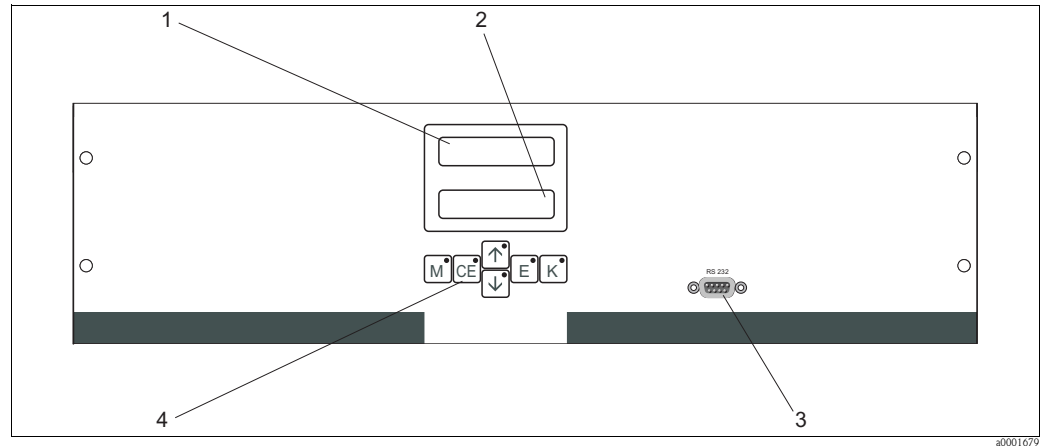


Fig. 19: Display and operating elements

- 1 LED (measured value)
- 2 LC display (measured value and status)
- 3 Serial interface RS 232
- 4 Operating keys and control LEDs

5.2 Local operation

The operating keys and the integrated indicator LEDs have the following functions:

Key	Key function	Indicator LED function
M	– “Auto measuring” option – back to the main menu from all sub-menus	Alarm value 1 exceeded
CE	– backwards in the sub-menu (horizontal, see Appendix)	Alarm value 2 exceeded
↑	– backwards in the main menu (vertical) – increase value	Measuring range exceeded
↓	– forwards in the main menu (vertical) – reduce value	Measuring range undershot
E	– select option – adopt value, forwards in the sub-menu (horizontal) ¹⁾	Retrieve error message
K	– selection in the sub-menu	Unassigned

1) By pressing the **↑** or **↓** and the **E** key simultaneously, you can set the digit after the decimal point.

5.2.1 Main menu

Access the main menu by holding down the **M** key until "AUTO MEASURING" is displayed. For the main menu options and information about them, please see the following table.

Selection	Display	Info
AUTO MEASURING	AUTO MEASURING	Calibration, measurement, flushing time-controlled actions
PARAMETER ENTRY	PARAMETER ENTRY	Default settings for measuring ranges, alarm values, calibration, flushing
CONFIGURATION	CONFIGURATION	Basic settings such as parameters, measuring units, arrangement of analog outputs and alarm values, date, time, offset values
LANGUAGE	LANGUAGE	Selecting menu language
ERROR DISPLAY	ERROR DISPLAY	Displaying error messages
SERVICE	SERVICE	Manually switching valves and pumps
DATA MEMORY 1	DATA MEMORY 1	Last 1024 measured values channel 1
DATA MEMORY 2 (Two-channel version only)	DATA MEMORY 2	Last 1024 measured values channel 2

5.2.2 AUTO MEASURING

The actions "calibration", "measuring" and "flushing" are triggered by time-control.

The settings for these actions are made in the "PARAMETER ENTRY" menu.

The respective action is displayed in the LC display. The most recently registered concentration value is displayed until the end of the next measurement.

Otherwise, "wait" is displayed when

- the time of the first measurement has not yet been reached or
- the measuring interval has not yet expired.



Note!

"Measuring" flashes when the analyzer is ready for the next measurement but has not yet received the enable signal from the sample collector or the sample conditioning unit.



5.2.3 CONFIGURATION



Note!

Some settings that can be made in this menu affect the defaults in the PARAMETER ENTRY menu. In view of this, complete the CONFIGURATION menu first during initial start-up.

Menu item	Range of adjustment (factory settings in bold)	Display	Info
Code number	03	Code-No. ? 0	Input 03. If an incorrect code is entered the program exits the sub-menu.
Photometer	Depending on specification PH-A PH-B PH-D PH-E	Photometer PH-A	The setting displays the parameter that is being measured. This is defined by the product specification and set in this menu item at the factory. Do not change the value. Otherwise, you will receive an "Incorrect photometer" error message.
Default settings	Yes / no	default setup y: ↑ ↓ n: E	If "yes" is selected, all the settings are reset to the factory settings. You must set the current date and time (scroll through the menu, third-last point). In the event of a reset, the date for the 1st calibration and the 1st flush is set to the following day.
Measuring unit	mg/l	Unit of measure mg/l	The measuring unit selected depends on the type of photometer. This setting also affects the scope of the measuring range.
Calibration factor	0.10 to 10.00	Calibr. factor 1.00	The calibration factor is the ratio of the measured concentration of the calibration standard to the predefined concentration of the standard (see "PARAMETER ENTRY", calibration solution). The deviation results from factors such as reagent aging, aging of constructive components, etc. The calibration factor compensates for these effects. CA 71 checks the registered calibration factor logically. If the factor is outside of the error tolerance, the calibration is automatically repeated. If the value is still outside the tolerance range after repeating calibration, an error message appears and the analyzer continues to work with the most recently registered, logically correct factor. The last 100 calibration factors are stored in the memory with the date and time and can be retrieved by pressing the \boxed{K} key. The calibration factor can be changed manually. Optional dilution modules are taken into consideration in the calibration factor.
Concentration offset	0.00 to 50.0 mg/l	c-Offset 0.00 mg/l	The offset gives users the option of adapting to an external comparison measurement. (Change the sign with the \boxed{K} key.)
Dilution	0.10 to 10.00 1.00	Dilution 1.00	If the sample is diluted externally between taking the sample and the analyzer, the dilution factor has to be entered here. If an optional dilution module is used, the factor remains 1. The dilution is taken into consideration by means of the calibration factor.
Delay to sample	20 to 300 s 80 s	Delay to sample 80 s	Dosing time for sample or standard. During this time, the entire system is flushed with sample or standard, so when the reagent is added there is definitely only fresh sample in the mixer. If sufficient sample is available, or in the event of an external collecting vessel with a long supply line, select the highest possible value.

Menu item	Range of adjustment (factory settings in bold)	Display	Info
Analog output 1	0 to 20 mA / 4 to 20 mA	Analog output 1 4-20 mA	Selection for the measuring range scope for channel 1. If the concentration measuring range is 0 to x mg/l, either 4 mA or 0 mA corresponds to 0 mg/l. The end of the measuring range is the same in both cases at 20 mA.
Analog output 2		Analog output 2 4-20 mA	Only two-channel version! Selection for the measuring range scope for channel 2. The scopes of measuring range are independent of each other for channel 1 and channel 2 and are determined by the start of measuring range setting (channel 1 / channel 2) or end of measuring range setting (channel 1 / channel 2) in the PARAMETER ENTRY menu.
Alarm value AV 1-1	NO NC  Note! Changes only take effect after a reset (power off/on)!	Alarm val. 1-1 norm. closed	Setting as to whether the contact for alarm value 1, channel 1 works as an NO or NC contact.
Alarm value AV 2-1		Alarm val. 2-1 1.25 mg/l	Setting as to whether the contact for alarm value 2, channel 1 works as an NO or NC contact.
Alarm value AV 1-2		Alarm val. 1-2 norm. closed	Two-channel version only! Setting as to whether the contact for alarm value 1, channel 2 works as an NO or NC contact.
Alarm value AV 2-2		Alarm val. 2-2 norm. closed	Two-channel version only! Setting as to whether the contact for alarm value 2, channel 2 works as an NO or NC contact.
Error contact		Error contact norm. closed	Setting as to whether the contact for the fault message works as an NO or NC contact.
Current date/time	01.01.96 00:00 to 31.12.95 23:59	act. Date/Time 25.01.02 15:45	Setting the system clock. Format DD.MM.YY hh:mm.
Calibrate offset	Yes / no	Calibrate offs yes:K no:E	Frequency offset ¹⁾ Pressing the  key starts blank value measurement for compensating the reagent's inherent color.
Frequency offset	-5000 to +5000 0	f-Offset [Hz] 0	Manually changing the frequency offset. ¹⁾

- 1) Redetermine the frequency offset every time the reagents are changed or the photometer is replaced. To do so, instead of sample connect deionized water to the sample inlet to determine the frequency offset (blank value). The value is generally between 0 and 10 Hz.

5.2.4 PARAMETER ENTRY

Menu item	Range of adjustment (factory settings in bold)	Display	Info
Measuring range start 1	PH-A: 0.05 to 2.5 mg/l / 0.00 mg/l PH-B: 0.5 to 20 mg/l / 0.0 mg/l PH-D: 0.5 to 50 mg/l / 0.0 mg/l PH-E: 0.05 to 10 mg/l / 0.00 mg/l	Range start 1 0.00 mg/l	The specified concentration is allocated a value of 0 or 4 mA at analog output 1 ¹⁾ .
Measuring range start 2	PH-E: 0.05 to 10 mg/l / 0.00 mg/l	Range start 2 0.00 mg/l	Only two-channel version! The specified concentration is allocated a value of 0 or 4 mA at analog output 2.
Measuring range end 1	PH-A: 0.05 to 2.5 mg/l / 2.50 mg/l PH-B: 0.5 to 20 mg/l / 20.0 mg/l PH-D: 0.5 to 50 mg/l / 50.0 mg/l PH-E: 0.05 to 10 mg/l / 10.0 mg/l	Range end 1 2.50 mg/l	The specified concentration is allocated a value of 20 mA at analog output 1.
Measuring range end 2	PH-E: 0.05 to 10 mg/l / 10.0 mg/l	Range end 2 2.50 mg/l	Only two-channel version! The specified concentration is allocated a value of 20 mA at analog output 2.
Alarm value AV 1 - 1	PH-A: 0.05 to 2.5 mg/l / 1.25 mg/l PH-B: 0.5 to 20 mg/l / 10.0 mg/l PH-D: 0.5 to 50 mg/l / 25.0 mg/l PH-E: 0.05 to 10 mg/l / 5.0 mg/l	Alarm val. 1-1 1.25 mg/l	Concentration threshold value for limit relay 1, channel 1 (switching hysteresis 2% of alarm value).
Alarm value AV 2 - 1	PH-A: 0.05 to 2.5 mg/l / 2.50 mg/l PH-B: 0.5 to 20 mg/l / 20.0 mg/l PH-D: 0.5 to 50 mg/l / 50.0 mg/l PH-E: 0.05 to 10 mg/l / 10.0 mg/l	Alarm val. 2-1 1.25 mg/l	Concentration threshold value for limit relay 2, channel 1 (switching hysteresis 2% of alarm value).
Alarm value AV 1 - 2	PH-A: 0.05 to 2.5 mg/l / 1.25 mg/l PH-B: 0.5 to 20 mg/l / 10.0 mg/l PH-D: 0.5 to 50 mg/l / 25.0 mg/l PH-E: 0.05 to 10 mg/l / 5.0 mg/l	Alarm val. 1-2 1.25 mg/l	Only two-channel version! Concentration threshold value limit relay 1, channel 2 (switching hysteresis 2% of alarm value).
Alarm value AV 2 - 2	PH-A: 0.05 to 2.5 mg/l / 2.50 mg/l PH-B: 0.5 to 20 mg/l / 20.0 mg/l PH-D: 0.5 to 50 mg/l / 50.0 mg/l PH-E: 0.05 to 10 mg/l / 10.0 mg/l	Alarm val. 2-2 2.50 mg/l	Only two-channel version! Concentration threshold value limit relay 2, channel 2 (switching hysteresis 2% of alarm value).
Time 1. measurement	01.01.96 00:00 to 31.12.95 23:59	1. Measurement 10.02.02 08:00	Date format DD.MM.YY, time hh.mm. After each change the instrument does not wait for the measuring interval. If the measurement is to start immediately, set the time in the past.
Measuring interval	2 to 120 minutes 10	Meas. interval 10 min	Time between two measurements. If the setting is 2 minutes, the measurements take place without any pauses.
Frequency of measurement Channel 1	0 to 9 1 ²⁾	n* Channel 1: 1	Two-channel version only! Number of measurements at channel 1 before switching to channel 2.
Frequency of measurement Channel 2	0 to 9 1	n* Channel 2: 1	Two-channel version only! Number of measurements at channel 2 before switching to channel 1.
Time 1. calibration	01.01.96 00:00 to 31.12.95 23:59	1. Calibration 01.01.02 08:00	Time of 1st calibration (DD.MM.YY, time hh.mm). After each change the instrument does not wait for the calibration interval. If the calibration is to start immediately, set the time in the past. Analyzers are delivered pre-calibrated. – Start the 1st calibration 2 hours after the initial startup at the earliest (warm-up phase) – Set the time to 8:00 to track the effects of calibration in the curve. – If you have started a calibration manually, you should redefine the time of the 1st calibration because the interval is calculated starting from the last calibration.
Calibration interval	0 to 720 h 48 h	Calib.interval 48 h	Time between two calibrations. The "0 h" setting means that calibration does not take place. Recommended: calibration interval of 48 to 72 h.

Menu item	Range of adjustment (factory settings in bold)	Display	Info
Calibration solution	PH-A: 0.05 to 2.5 mg/l / 1.00 mg/l PH-B: 0.5 to 20 mg/l / 5.00 mg/l PH-D: 0.5 to 50 mg/l / 10.0 mg/l PH-E: 0.05 to 10 mg/l / 5.00 mg/l	Calib. solution 1.00 mg/l	Concentration of the calibration standard. Select a standard whose concentration is in the top third of the measuring range.
1. flushing	01.01.96 00:00 to 31.12.95 23:59	1. Flushing 01.01.02 08:10	Time of 1st flushing (DD.MM.YY, time hh.mm). After each change the instrument does not wait for the flushing interval. If the flushing is to start immediately, set the time in the past. – Set the time to 4:00 to track the effects of flushing in the curve. – If you have started flushing manually, you should redefine the time of the 1st flushing because the interval is calculated starting from the last flushing.
Flushing interval	0 to 720 h 48 h	Flush. interval 48 h	Time between two flushings. The "0 h" setting means that cleaning no longer takes place.
Flushing hold on	0 to 60 s 60 s	Flushing hold on 60 s	Dwell time of flushing solution in the pump-mixer-photometer line. Recommended: 30 to 60 s.

- 1) Option 0 or 4 mA: see "CONFIGURATION".
- 2) All channels set to 0 means that the channel is selected externally. All channels set to 1 means alternating, beginning with channel 1.



Note!

- Always coordinate calibration and flushing.
- Carry out flushing with standard cleaners approx. 3-4 hours **before** the next calibration.
- Flushing with special cleaners (e.g. hydrochloric acid or ammonia) has a lasting effect on calibration. Therefore, carry out this cleaning **3-4 hours before** calibration. Then rinse with deionized water afterwards.

5.2.5 LANGUAGE

The following languages are available:

- Deutsch
- English
- Français
- Suomi
- Polski
- Italiano.

5.2.6 ERROR DISPLAY



Note!

- This menu is a "read-only menu".
- You can find the individual error messages, their meaning and solutions to problems in chapter "Trouble-shooting instructions".
- If there is at least one error message, the signal output is set to "fault".
- Causes of faults are requested for every measurement. If an error which occurred previously no longer exists, it is automatically cancelled. If this should not happen automatically, error messages can be deleted by quickly switching the analyser off and back on again.

5.2.7 SERVICE

Option	Display	Info
Pumps and valves		<p>"Virtual switching board" Various valve and pump combinations can be selected.</p> <p>The setting options are:</p> <ul style="list-style-type: none"> - Valve 1: P (sample) or S (standard) - Valve 2: S (standard) or C (cleaning agent) - Valve 3 (Two-channel version only): 1 (channel 1) or 2 (channel 2) - Valve 4 (for optical cell outlet, improves cleaning and avoids memory effects): s (stop) or g (go) - Pump 1 and pump 2: s (stop) or g (go) - Mixture <p>The reagent and sample pumps can be switched on together, so that they run in the same ratio as for filling the sample-reagent mixture in measuring mode. s (stop) and g (go)</p> <p> Note! P1 and P2 are inactiv, when G is at go. If P1 or P2 is at go, G is not available.</p> <p>The following valve combinations are possible: (applies to one-channel and two-channel version, whereby where the latter is concerned selection is made by positioning valve 3 between channel 1 and 2)</p> <ul style="list-style-type: none"> - V1: P, V2: S Passage for the sample. This combination is automatically reset on leaving the service menu. - V1: S, V2: S Passage for standard solution - V1: S, V2: R Passage for cleaning agent
Signal frequency		Signal frequency of the photometer

5.2.8 DATA STORAGE-Measured values



Note!

Two menus, "DATA MEMORY 1" and "DATA MEMORY 2", are only **for the two-channel version**. In the one-channel version there is only one menu "DATA MEMORY".

Selection	Display	Info
Measured values		The data memory contains the last 1024 concentration measured values with date and time. If there are no values available, "Empty set" appears. Browse through the data sets by pressing the and keys.
Serial output		You can output all data sets (in ASCII-format) via the serial interface. For this, the receiving end (PC) must be configured like this: 9600, N, 8, 1. To send data, the receiving end (PC) must send the ASCII character 81 ("Shift", "D").
Clear data		This deletes all data sets.

5.2.9 DATA STORAGE-Calibration data



Note!

To enter this menu select the CONFIGURATION menu, browse to the "Calibration factor" option and press the key.

Selection	Display	Info
Calibration factor		This data memory contains the last 100 calibration factors with date and time. If there are no values available, "Empty set" appears. Browse through the data sets by pressing the and keys.
Serial output only available via PC!	no display	You can output all data sets (in ASCII-format) via the serial interface. For this, the receiving end (PC) must be configured like this: 9600, N, 8, 1. To send data, the receiving end (PC) must send the ASCII character 81 ("Shift", "C").
Clear data		This deletes all data sets.

5.3 Calibration

5.3.1 Standard calibration data

The signal strength is processed device-internally as a frequency. The following table provides an overview of the standard calibration data.



Note!

Compare these values to your own data.

After changes in the CONFIGURATION menu and in case of software updates, you can check and, if necessary, change the calibration data in the sub-menu.

	Measuring range	Concentration [mg/l]	Frequency [Hz]
Phosphate, molybdenum blue, lower measuring range PH-A	0.05 to 2.5 mg/l	0.00	0
		0.25	96
		0.50	180
		0.75	265
		1.00	355
		1.25	430
		1.50	516
		1.75	568
		2.00	638
2.50	798		
Phosphate, molybdate vanadate, lower measuring range PH-B	0.5 to 20.0 mg/l	0.0	0
		2.0	73
		4.0	144
		6.0	213
		8.0	277
		10.0	341
		12.0	400
		14.0	459
		16.0	516
20.0	622		
Phosphate, molybdate vanadate, upper measuring range PH-D	0.5 to 50.0 mg/l	0.0	0
		5.0	179
		10.0	341
		15.0	487
		20.0	620
		25.0	740
		30.0	841
		35.0	902
		40.0	928
50.0	950		
Phosphate, molybdenum blue, lower measuring range PH-E	0.05 to 10.0 mg/l	0.0	0
		1.0	159
		2.0	306
		3.0	440
		4.0	551
		5.0	670
		6.0	805
		7.0	913
		8.0	1026
10.0	1254		

5.3.2 Calibration example

Proceed as follows if you want to activate an immediate calibration (e.g. after you have replaced the reagents).

Ensure that you have changed the reagents, filled the hoses again (no air bubbles) and the analyser is in measuring mode.

1. Hold **[M]** down until AUTO MEASURING appears.
2. Use **[↓]** to move through the PARAMETER ENTRY menu and press **[E]**.
3. Use **[E]** to go to the "1st calibration" option.
4. Now use the **[↓]** or **[↑]** and **[E]** keys to set a time which lies in the past.
5. Press **[E]** to accept the value and then press **[M]** twice to return to the main menu (AUTO MEASURING).
6. Press **[E]** again. This takes you back to measuring mode.
The calibration is now carried out automatically.

**Caution!**

After the calibration has finished, the analyser automatically goes into measuring mode. You now have to set the time of the 1st calibration back into the future in order to align the calibration and rinsing times to each other. The rinse must be performed 3-4 hours before the next calibration. Proceed as described above to change the setting for the time of the 1st calibration. After changing to measuring mode, the analyser automatically begins measuring, rinsing and calibrating at the defined times.

6 Commissioning

6.1 Function check



Warning!

- Check that all connections are secure. In particular, ensure that all hose connections are secure, so that no leaks occur.
- Ensure that the power supply voltage corresponds to the voltage specified on the nameplate!

6.2 Switch-on

6.2.1 Dry commissioning



Note!

- If possible, let the analyzer warm up in standby mode before commissioning ("Auto measuring" display). The time can be defined via the "1. measurement" option in the PARAMETER ENTRY menu.
- At the start of measurement with a cold analyzer, the first measuring results will be incorrect. The reaction is temperature-dependent and if the temperature is too low the predefined reaction time is insufficient for a complete reaction. For this reason, never carry out calibration with a cold analyzer. Wait at least two hours before carrying out calibration.

When the analyzer has been configured and calibrated, the measuring cycle starts automatically. Configuration is no longer necessary.

To perform initial commissioning or to readjust the device parameters, proceed as follows:

1. Plug in the analyzer's plug with grounding contact into the socket.
2. Press the **M** key until AUTO MEASURING is displayed.
3. Select the CONFIGURATION menu and configure up to and including the "Current date/time".
With **M** you can return to the main menu.
4. Now work through the PARAMETER ENTRY and SERVICE menus.
With **M** you can return to the main menu.
5. Select CONFIGURATION again and use **E** to go to the "Calibrate offset" menu item.
6. Connect a vessel containing distilled water to the "Sample" connection and start the frequency offset (**K** key). The value determined is displayed and saved.
7. Then reconnect the sample line.
With **M** you can return to the main menu.

The analyzer starts automatically (triggered by a control signal or integrated timer) with the "Calibration", "Measurement", and "Flushing" procedures in accordance with the device parameters that you have set (1st calibration, 1st measurement, 1st flushing times and the respective intervals control the procedure).

Settings for

	Function	Duration [s]	Range of adjustment
Measurement	Flushing (sample) Delay to sample Stabilization 1. measurement (basis) Fill mixture Reaction 2nd measurement (plateau) Flushing (sample)	3 x 15 20 to 999 8 30 see Technical data 30	CONFIGURATION / "Delay to sample" SERVICE / "Pumps and valves"
Calibration	Flushing (standard) Delay to standard Stabilization 1. measurement (basis) Fill mixture Reaction 2nd measurement (plateau) Flushing (sample)	3 x 15 20 to 999 8 30 see Technical data 20	CONFIGURATION / "Delay to sample" SERVICE / "Pumps and valves"
Flushing	Pump cleaning solution Allow to react Pump cleaning solution	½ Flush hold on 5 ½ Flush hold on	PARAMETER ENTRY / "Flushing hold on"

6.2.2 Wet commissioning

Wet commissioning is different to dry commissioning in that in wet commissioning you fill the reagent lines before the automatic cycles are started.

Proceed as follows:

1. Plug in the analyzer's plug with grounding contact into the socket.
2. Press the **M** key until AUTO MEASURING is displayed.
3. Select the SERVICE menu.
4. Switch the P2 reagent pump "on" (select P2 with **E** and set to "g" with **↑**) and leave it running until you can tell that there are reagents at the T-hose connector. After this, switch P2 "off" (s) again with **↓**.
5. Now switch the valves to passage for standard (select V1: S, V2: S; with **E** or **CE** switch to "S" with **↑**) and then switch the P1 sample pump "on". Leave the pump running until you can tell that there is standard at the T-hose connector. Switch P1 back "off".
6. Now switch the valves to passage for cleaning agent (select V1: S, V2: R; with **E** or **CE**, switch to "R" or "S" with **↑**) and then switch the P1 sample pump "on". Leave the pump running until you can tell that there is cleaning agent at the T-hose connector. Switch P1 back "off".
7. Now switch the valves to passage for sample (select V1: P, V2: S; with **E** or **CE**, switch to "P" or "S" with **↑**) and then switch the P1 sample pump "on". If you notice that sample is present at the T-hose connector, let the pump run for another 2 minutes. This removes any standard or cleaner residues.
Then switch P1 "off".



Note!

For the two-channel version, valve V3 must also be set for switchover between channel 1 and channel 2.

8. Now proceed as with dry commissioning (from step 2).

6.2.3 Using a dilution module

You can extend the measuring range of your analyzer with the sample dilution module.

How it works:

- The analyzer determines the absorption of the sample at the specified wavelength.
It does not matter whether the sample was diluted previously or not.
- The characteristic of the photometer (→ standard calibration data) refers to the concentrations of the diluted sample and not to those of the (undiluted) original sample.
- The dilution factor is not taken into account until the measured value is calculated.
- The concentration information you specify for the measuring range and the alarm values in PARAMETER ENTRY refer to the concentrations of the original sample.



Note!


You achieve maximum measuring accuracy if you also dilute the standard with the dilution module. In the event of a 1:10 dilution, you have to use a 10 mg/l standard solution instead of a 1.0 mg/l standard solution (without a dilution module) for example.

Balance changes to the dilution ratio (e.g. through hose aging) with the calibration. The calibration factor determined takes into account all deviations from the ideal state through reagents, the photometer and dilution.

Installing the dilution module

The dilution module is supplied ready to use.

Installation:

1. Release the sample pump hose from the hose connector to valve 1 (→  20, item 4).
2. Connect the sample hose of the dilution module (black/black or yellow/blue, depending on the version) to the hose connector that is now free.
3. Connect the T-section (item 1) of the dilution module to the input of the sample pump (hose box K1). Use the original sample pump hose for this purpose.
4. Fit the dilution module onto the free hose box positions of the sample pump.
5. Connect an outflow hose (O) to the free outlet of the T-piece (item 1).
Route this hose in the device in such a way that is guided at least 20 cm upwards and then into the open outlet. This prevents the hose from running dry.



Caution!

Do not connect the outflow hoses of the dilution module and the photometer.

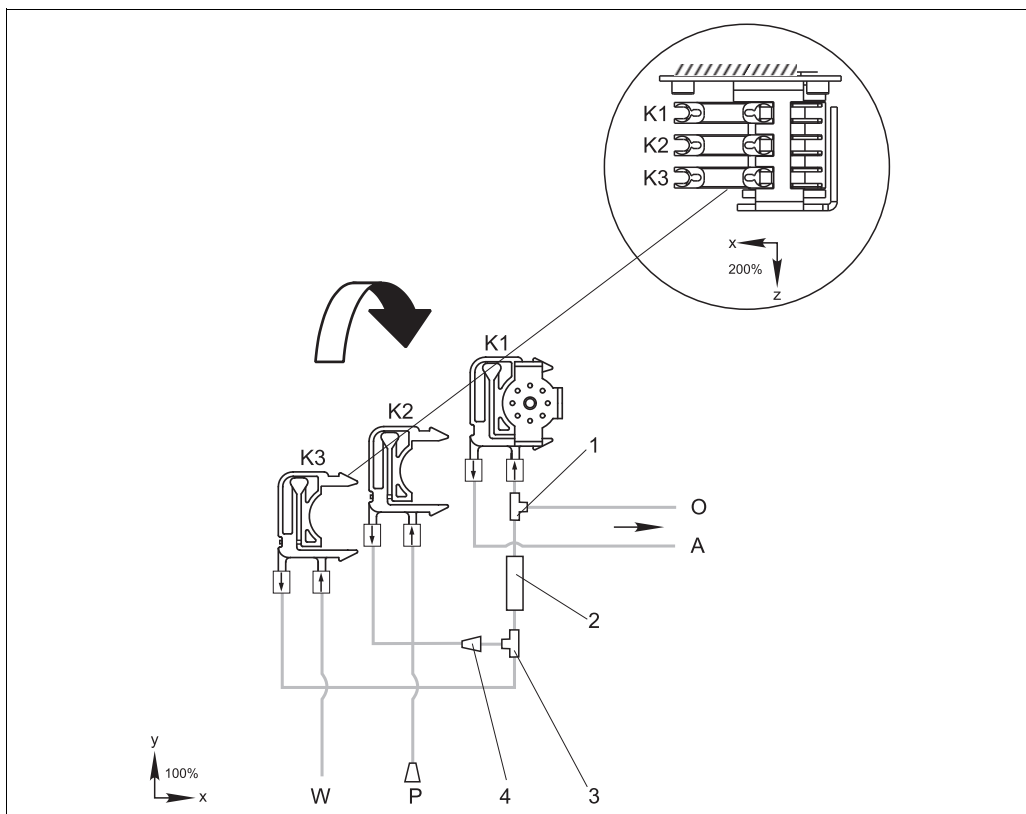


Fig. 20: Dilution module

- K1 Hose box of the original sample pump
- K2 Hose box for additional sample (standard)
- K3 Hose box for dilution water
- A Sample supply to photometer
- O Overflow (in outlet of analyzer)
- P Sample hose (sample or standard)
- W Dilution water inlet (to be provided by the client)
- 1 T-section 3.2 x 3.2 x 3.2 mm (0.13 x 0.13 x 0.13 inch)
- 2 Static mixer 122-012
- 3 T-section 3.2 x 3.2 x 3.2 mm (0.13 x 0.13 x 0.13 inch)
- 4 Hose connector 3.2 x 1.6 mm (0.13 x 0.06 inch)

Changing parameters



Note!

The following section only lists the parameters where you have to make changes to the standard settings.

Start with CONFIGURATION.

CONFIGURATION	
Delay to sample	Increase the value of the standard setting by 40 seconds since additional sample volume is drawn in.

PARAMETER ENTRY	
Measuring range start 1 / measuring range start 2	Enter values that refer to the concentration of the undiluted sample. If you are using a dilution module with the factor 10, for example, multiply the settings to date (without the dilution module) by 10.
Measuring range end 1 / measuring range end 2	
Alarm values AV 1-1 / 1-2 / 2-1 / 2-2	
Calibration solution	Enter the original concentration (undiluted) of the standard here.

7 Maintenance



Caution!

You must not carry out any procedures **not** listed in the following chapters, yourself. This work must only be carried out by the service.

7.1 Maintenance schedule

All maintenance duties that have to be carried out during normal operation of the analyser are explained below.

If you are using a sample conditioning unit, e.g. CAT 430, coordinate the maintenance work required for it with that of the analyser. For this, read the maintenance chapter in the respective operating instructions.

Period of time	Duty	Note
weekly	<ul style="list-style-type: none"> – Check and note calibration factor (for service purposes) – Move valve hoses into their position and spray with silicone (extends the service life). 	CONFIGURATION
monthly	<ul style="list-style-type: none"> – Flush sample line hose system with pressurized water (disposable syringe), check and replace reagents if necessary – Spray pump hoses with silicone spray – Check sample collector for fouling and clean it if necessary 	<ul style="list-style-type: none"> – see chapter "Replacing reagents" – Remove the cassette of the sample pump. – Connect the one-way syringe instead of the sample inlet. – SERVICE: V1: S, P1: g, P2: s, V2: S Add solution to sampling connection
every 3 months	<ul style="list-style-type: none"> – Cleaning the drain lines: Flush all hoses with 10% ammonia solution and then with sample for at least 30 minutes – Rotate pump hoses 	
every 6 months	<ul style="list-style-type: none"> – Replace pump hoses – Replace valve hoses 	– see chapter "Replacing pump hoses"



Note!

Whenever working on the reagent hoses, the hoses must be disconnected from the canisters, in order to prevent contamination of the reagents.

7.2 Replacing reagents



Warning!

- There is a danger of crushing limbs at doors, inserts and pump heads.
- Refer to the warning instructions in the safety data sheets when handling reagents. Wear protective clothing, gloves and goggles.
- Make sure the workplace is well ventilated when you work with chlorine bleach. If you feel unwell, consult a physician immediately.
- If reagents come into contact with the skin or eyes, carefully rinse with copious amounts of water and consult a physician immediately.
- Never add water to reagents. Reagents containing acids may splash and heat may build up.

If you store the reagents correctly (in the dark, not over 20 °C) they will be stable for minimum 12 weeks from the date of manufacture (batch number). When this period of time has expired, the reagents must be replaced. Shelf life can be prolonged by keeping the reagents in a dark, cool storage place. The reagents absolutely must be replaced when:

- the reagents have been contaminated by sample (see "Trouble-shooting instructions")
- the reagents are too old
- the reagents have been spoilt by incorrect storage conditions or environmental influences.

7.2.1 Checking reagents

1. Check the concentration of the standard in the laboratory. Adapt the values (PARAMETER ENTRY, calibration solution") or replace the standard solution.
2. Mix 10 ml standard solution and 5 ml of each reagent in a beaker. You must replace the reagents if there is no visible coloration after max. ten minutes.

The finished mixture must be free of particles.

The reagents must be replaced if no visual coloration (blue) occurs after max. 2 minutes or if the mixture is not free of particles.

7.2.2 Replacing reagents

1. Carefully remove the hoses from the canisters and wipe them with a dry (paper) towel. Wear protective gloves when doing this.
2. Switch on the reagent pump for about 5 seconds.
3. Flush the reagent hose with plenty of distilled water (see SERVICE). For this purpose, place a beaker with distilled water into the device.
4. Replace the reagent canisters and feed the hoses into the new canisters.
5. Fill the reagent hose with the new reagents (SERVICE). Switch all pumps to "g" for this purpose. Do not switch the pumps off ("s") until no more air bubbles are to be seen in the hoses.
6. Determine the reagent blank value by using deionized water as a sample (see "CONFIGURATION").
The value determined is saved by the analyzer as the frequency offset.
7. Then carry out a calibration (see chapter "Calibration").

7.3 Replacing pump hoses



Warning!

When removing hoses from the hose nozzles, beware of reagent splashing. For this reason, wear protective clothing, gloves and goggles.

The peristaltic pumps used for the analyzer convey the medium in a combination of vacuum and displacement pump. The pump rate is dependent on the elasticity of the pump hoses. Elasticity decreases and the pump rate drops as mechanical stress increases. Wear depends on mechanical stress (measuring interval, pump pressure). Up to a certain degree, the wear effect can be compensated by calibration. If the impairment in hose elasticity is too great, the pump rate is no longer reproducible and this leads to incorrect measurements. This is why it is necessary to replace the hoses.

Removing the old hoses

1. Remove the reagent hoses from the reagent canisters in order to prevent contamination of the reagents.
2. Flush the old hoses with water first and then with air to empty them (see SERVICE).
3. Remove the hoses from the nipples of the hose boxes (item 5).
4. Release the hose box(es) (1 to 3 per pump):
 - Press against the lower retainer (item 3).
 - You can now remove the hose box along with the pump hose.
 - Remove the old hose from the case any dispose of it.
 - Clean the hose box and the roller head (item 1) with water.

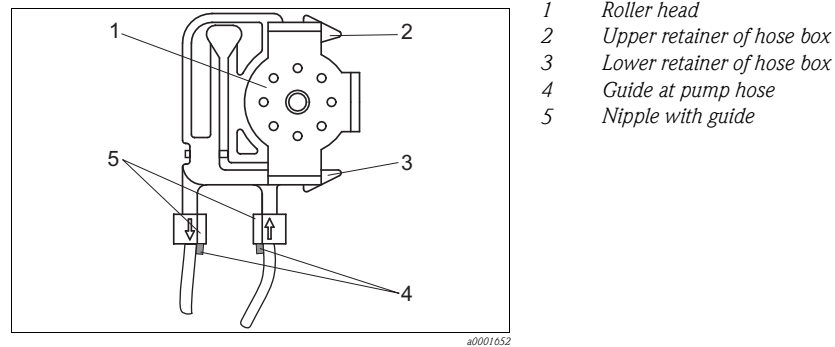



Fig. 21: Reagent pump

Installing the new hoses

1. Fit the new hose on the hose box.
2. First pull the hose downwards at both ends and then push the guide on the hose into that of the nipple on the hose box. Make sure it is seated correctly.
3. First place the hose box into the upper retainer (item 2) of the pump and then press the case into the lower retainer (item 3). Make sure the hose boxes are in the correct order in the pump (→  22).

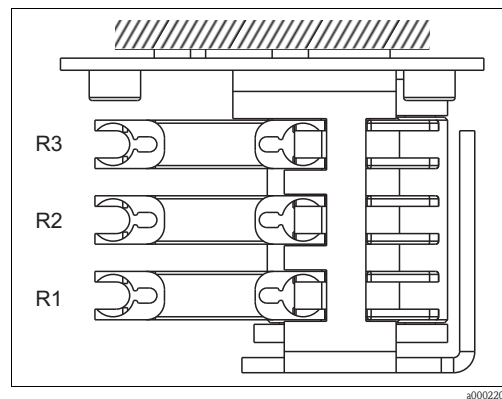


Fig. 22: Reagent pump, top view

- R1 Reagent 1
 R2 Reagent 2 (if present)
 R3 Reagent 3 (if present)

4. Spray the new pump hoses, the hose boxes and the roller heads with silicone spray.
5. Reconnect the reagent hoses to the canisters.
6. After installation, refill the hoses with sample, standard or cleaner (SERVICE)¹⁾.
7. Determine the frequency offset (CONFIGURATION) and carry out calibration ("Calibration").




Caution!

Make sure you connect the new pump hoses to the correct connections at the T-hose connector. For the order numbers of the pump hoses, see the chapter "Troubleshooting"/"Spare parts".

Setting the contact pressure of the pump

If the pump hoses cannot be filled free of bubbles, adjust the adjuster screw for the contact pressure of the pump:

1. Release the adjuster screw (→  23, item 3) to the extent that no more sample is pumped.
2. Tighten the screw just to the point that sample is pumped.

1) Make sure that the hoses are bubble-free when filled. If not, check the sample flow rate (see below).

- Tighten the screw another complete rotation.

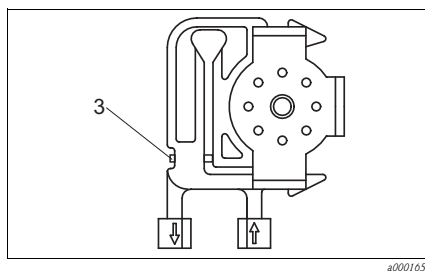


Fig. 23: Sample pump

3 Adjuster screw for the contact pressure



Caution!

Adjust the contact pressure of the reagent hoses so that no sample is pumped into the reagent. Otherwise the reagent becomes immediately unusable. For this reason, only perform tests with distilled water.

7.4 Replacing valve hoses

To replace the hoses, proceed as follows:

- Rinse the old hoses first with water and then with air to empty them (see SERVICE).
- Remove the hoses from the valves:
 - You can disconnect the front hoses directly because the valves are open when de-energised.
 - To remove the back hoses, press the black button on the valve and disconnect the hoses.
- Spray the new hoses and valves with silicone spray before inserting them.
- Install the new pump hoses in the reverse sequence of operations. Ensure that the hoses are connected correctly (→ 24).
- After installation, refill the hoses with sample, standard or cleaning agent (SERVICE).
- Carry out a frequency offset measurement (CONFIGURATION) and a calibration ("Calibration")²⁾.

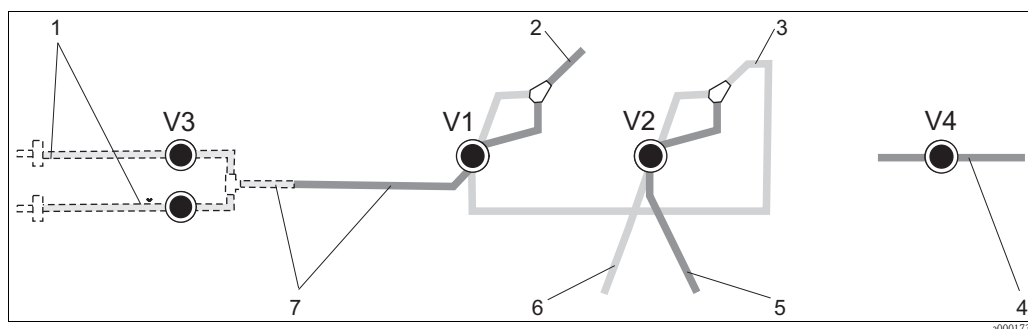


Fig. 24: Valves and valve hoses

V1-4 Valves 1, 2 and 4

V3 Two channel switch (optional)

1 Sample

2 To the pump

3 Y-piece, connecting hose to valve 1, behind it

4 Outlet hose

5 Hose valve 2, front, standard

6 Hose valve 2 back, cleaning agent

7 Hose valve 1 front, sample

2) not necessary with CA71 SI

7.5 Replacing the static mixer

To replace the mixer, proceed as follows:

1. Rinse first with water and then with air (see SERVICE).
2. Unscrew the four screws on the photometer housing and remove it.
3. Disconnect the mixer from the photometer and from the T-piece below the photometer housing or release the mixer from the holder.
4. Remove the old mixer and insert the new one.
5. Connect the new mixer to the photometer and the T-piece again.
6. Attach the photometer housing and screw it down.
7. After installation, refill the hoses with sample, standard or cleaning agent (SERVICE).
8. Carry out a calibration (PARAMETER ENTRY).

7.6 Replacing the photometer optical cell



Caution!

Using electronic assemblies

Electronic assemblies are sensitive to electrostatic discharge (ESD). For this reason, discharge yourself at a protective earth before handling the assemblies.

Removing the old cell

1. Rinse first with water and then with air (see SERVICE).
2. Switch the analyzer off.
3. Unscrew the four screws on the photometer housing and remove it.
4. Release the nuts from the guide screws and remove the photometer completely.
5. Unscrew the four screws on the side of the photometer on which there is no ribbon cable.
6. Take the photometer's electronics apart.
7. Take out the cell and remove the hoses.



Caution!

Do not **under any circumstances** touch the optical window of the cell with your fingers!

Otherwise, traces of grease remain on the optical surfaces. This can lead to corrupted measured values.

Installing the new cell

1. Insert the new cell.
2. Connect the cell to the hoses such that the sample is fed in from below.
3. Secure the hoses with the supplied cable connectors to stop the cell from slipping.
4. Reassemble the photometer and tighten the screws and nuts.
5. Attach the photometer housing and screw it down.
6. After installation, refill the hoses with sample, standard or cleaning agent (SERVICE).
7. Carry out an f-offset measurement (CONFIGURATION) and a calibration ("Calibration").

7.7 Cleaning



Caution!

When cleaning, ensure that you do not damage the nameplate on the analyser. Do not use any solvent-based cleaning agents.

To clean the analyser housing, proceed as follows:

- Stainless steel housing (stainless steel SS 1.4301 (AISI 304)):
with a lint-free cloth and Glittol RG 10.51
- GFR housing:
with a damp cloth or with tenside-based (alkaline) cleaning agent.

7.8 Placing out of service

You must place the analyser out of service before shipping or before longer operation breaks (more than 5 days).



Caution!

Before placing the instrument out of service, thoroughly rinse all of the lines of the measuring system with clean water.

To place the analyser out of service, proceed as follows:

1. Remove the reagent and standard hoses from the canisters and immerse them in a tank containing clean water.
2. Switch valve 1 to "Standard" and switch pumps 1 and 2 on for one minute (see SERVICE).
3. Remove the hoses from the water and allow the pumps to run until the hoses are completely dry.
4. If you are using a continuous sample supply, disconnect sampling line.
5. Flush sampling hoses with clean water and then with compressed air, in order to completely empty the hoses.
6. Remove the valve hoses from the valves.
7. Remove the load from the pump hoses by removing the hose cassette from the bracket below.



Note!

Keep opened reagents and standards in a refrigerator. Observe the shelf-life.

8 Accessories



Note!

In the following sections, you find the accessories available at the time of issue of this documentation.

For information on accessories that are not listed here, please contact your local service.

8.1 Collecting vessel

- for sampling from pressurized systems
- results in an unpressurised continuous sample stream

- Collecting vessel without level measurement; order no. 51512088
- Collecting vessel with level monitoring (conductive); Order no. 51512089
- Level monitoring retrofit kit; Order no. 71023419

8.2 Reagents, cleaner, standard solutions

- Reagent set active, 1 l of each reagent PH1+PH2 (blue); order no. CAY240-V10AAE
- Reagent set inactive, 1 l of each reagent PH1+PH2 (blue); order no. CAY240-V10AAH
- Reagent active PH1, 1 l (yellow); order no. CAY243-V10AAE
- Cleaning agent 1 l; order no. CAY241-V10AAE
- Standard solution 1.0 mg/l PO₄ - P; order no. CAY242-V10C01AAE
- Standard solution 1.5 mg/l PO₄ - P; order no. CAY242-V10C03AAE
- Standard solution 2.0 mg/l PO₄ - P; order no. CAY242-V10C02AAE
- Standard solution 5 mg/l PO₄ - P; order no. CAY242-V10C05AAE
- Standard solution 10 mg/l PO₄ - P; order no. CAY242-V10C10AAE
- Standard solution 15 mg/l PO₄ - P; order no. CAY242-V10C15AAE
- Standard solution 20 mg/l PO₄ - P; order no. CAY242-V10C20AAE
- Standard solution 25 mg/l PO₄ - P; order no. CAY242-V10C25AAE
- Standard solution 30 mg/l PO₄ - P; order no. CAY242-V10C30AAE
- Standard solution 40 mg/l PO₄ - P; order no. CAY242-V10C40AAE
- Standard solution 50 mg/l PO₄ - P; order no. CAY242-V10C50AAE



Note!

Please, note the disposal instructions in the safety data sheets of the reagents!

8.3 Maintenance kit

Maintenance kit CAV740:

- 1 set pump hoses yellow/blue
- 1 set pump hoses black/black
- 1 set hose connectors per hose set
- order no. CAV740-1A

8.4 Hose cleaner

- Cleaning agent, alkaline, 100 ml (3.4 fl.oz.); order no. CAY746-V01AAE
- Cleaning agent, acidic, 100 ml (3.4 fl.oz.); order no. CAY747-V01AAE

8.5 Dilution module

Dilution module

1 set of pump hoses, 2 hose boxes, 1 set of hose connectors, static mixer

- Dilution 1:3
Order no. C-A030228-10
- Dilution 1:10
Order no. C-A030228-11

8.6 Additional accessories

- Interference suppressor for control, power and signal lines
order no. 51512800
- Silicon spray
order no. 51504155
- Valve set, 2 pieces, for two-channel version
order no. 51512234
- Upgrade kit for upgrading from one-channel to two-channel version
order no. 51512640

9 Trouble-shooting

9.1 Trouble-shooting instructions

Although the analyser is not very prone to faults due to its simple assembly, problems can, of course, not be completely ruled out.

Possible errors, their causes and their possible remedies are listed below.

9.2 System error messages

Error message	Possible cause	Tests and / or corrective measures
Calibration failed		If a calibration fails, you can enter a new calibration factor manually (CONFIGURATION menu, "Calibration factor"). Cancel the error message by switching the analyzer off and on briefly. If the error occurs frequently, you will have to search for the cause.
	Air bubbles in system	Start calibration manually (PARAMETER ENTRY, "1. calibration", change the date accordingly, start measurement) or enter a new calibration factor.
	Incorrect concentration of standard	Check the concentration in the laboratory. Adjust the standard accordingly ("PARAMETER ENTRY", "Calibration solution") or replace the standard.
	Reagents contaminated or aged	Simple check: Mix 5-10 ml of standard solution and 5 ml of reagent in a beaker. If it does not change color after max. 10 min, replace the reagents.
	Standard dosing defective	Check the valves for contamination, obstructions (visual inspection). Replace valve hoses if necessary.
	Incorrect photometer	Check the setting in the CONFIGURATION menu.
Cell dirty	Not enough light intensity at receiver, e.g. due to sedimented particles	<ul style="list-style-type: none"> – Flush with 12.5% bleaching lye (monthly maintenance) – When using a CAT430: Check the filter.
Incorrect photometer	Incorrect photometer	Check the setting in the CONFIGURATION menu, "Photometer".
No sample	No sample	Establish sample transfer.
	Level measurement defective	Check level measurement at the sample collector.
Spillage error	Leak at canisters or hoses	Replace defective components and clean and dry the analyzer or those components affected by the leak.
No measuring signal	Cell filled with air	Pump sample for 1 minute (SERVICE).
	Photometer defective	Inform Service
	Electrical connection	Check all electrical connections and make sure the fuses are firmly seated.
	Fuse defective	Replace fuse F4 or F5 (semi-delay 0.2 A)

9.3 Process errors without messages

Error	Possible cause	Tests and / or corrective measures
Measured values always the same	Reagents contaminated or aged	Simple check: Mix 5-10 ml of standard solution and 5 ml of reagent in a beaker. If it does not change color after max. 10 min, replace the reagents.
	No sample, no reagents	Make sure sample and reagents are supplied, check level monitor and clean if necessary
	System blocked	Flush with 12.5% bleaching lye (monthly maintenance) Check the hose from valve 4.
Measured values inaccurate	Incorrect concentration of standard	Check the concentration in the laboratory. Adjust the standard accordingly ("PARAMETER ENTRY", "Calibration solution") or replace the standard.
	Reagents contaminated or aged	Simple check: Mix 5-10 ml of standard solution and 5 ml of reagent in a beaker. If it does not change color after max. 10 min, replace the reagents.
	Reagent blank value too high	After replacing the reagents, carry out an offset calibration and then a calibration (CONFIGURATION, "Offset calibration")
	Wrong dimension	Check the setting in the CONFIGURATION menu, "Measuring unit" (e.g. ion instead of element).
	Wrong cell	Check the setting in the CONFIGURATION menu, "Photometer"
	Sample suction time too short	Increase the suction time (CONFIGURATION, "Delay to sample")
	Matrix effects (substances that interfere with the photometric method)	Detect interfering substances (see Technical Information, "Measuring principle"), possibly use sample conditioning
	Filter life too long	Take a counter sample at the analyzer inlet and check the concentration in the laboratory. If there is no deviation to the analyzer measured values, replace the ultrafiltration modules or reversible flow filters more frequently.
	System blocked or contaminated	Flush with 12.5% bleaching lye (monthly maintenance)
	Dosing	Replace pump hoses.
Cell dirty	Flush with 12.5% bleaching lye first and then with 5% hydrochloric acid	
Measured values inaccurate	Standard is dosed to the sample	Check the valves and valve settings. Replace valve hoses if necessary.
Counter sample in the laboratory delivers deviating measured values	Sample aging	Shorten time between sampling and analysis.
Measured value transfer defective	Wrong size for analog output	Check the setting (CONFIGURATION, "Analog output 1" or "2").
	Incorrect measuring range	Adjust measuring range (PARAMETER ENTRY, "Measuring range")
	Background noise	Check electrical cables for interference from strong sources of induction.
Analyzer will not switch on	No power	Check the electrical connection and ensure power supply.
	Fuse	Replace fuse F1 (slow-blow 0.5 A)
Analyzer is running but display reading is garbled or off	Initialization failed	Switch the analyzer off and after approx. 30 seconds back on.
Pumps fail to run	Leak	See "Spillage error" error message
	Leak sensor bypassed	Interrupt the contact between the two leak sensors (terminals 67-66)
	Fuse	Check all fuses and replace if necessary.
	Pump defective	Service
Measurement does not start	Leak at photometer	Service

Error	Possible cause	Tests and / or corrective measures
"Measurement" display flashes	Time of 1st measurement not reached	The date must be between 01.01.1996 and the current date.
	Interval not expired	Change parameter setting.
Calibration does not start	Time of 1st calibration not reached	The date must be between 01.01.1996 and the current date.
	Interval not expired or 0 h	Change parameter setting.
	Leak at photometer	Service
Flushing does not start	Time of 1st flushing not reached	The date must be between 01.01.1996 and the current date.
	Interval not expired or 0 h	Change parameter setting.
Leak at photometer	Device or discharge blocked	Remove blockage. Service
Blockage, deposits in device	Water hardness	Lime deposits can be removed by flushing with 5% hydrochloric acid. If necessary, dose EDTA in sample stream to prevent precipitation.
	Not enough sample conditioning	Shorten the cleaning intervals of sample conditioning.

9.4 Spare parts

9.4.1 Overview for

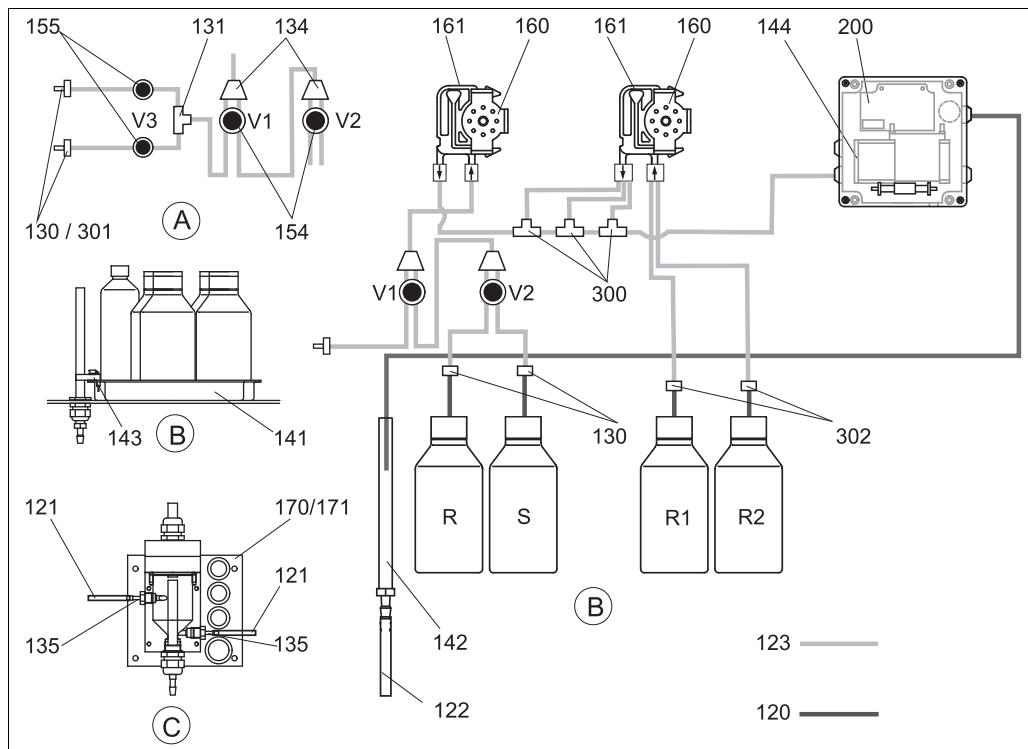


Fig. 25: Overview parts

- | | | | |
|---|----------------------------------|----|-----------------------------|
| A | Sample input two-channel version | R | Cleaner canister |
| B | Standards and reagent canisters | R1 | Reagent 1 canister |
| C | Collecting vessel | R2 | Reagent 2 canister (PH-A/E) |
| P | Sample | S | Standard solution canister |

9.4.2 Spare parts for sample and reagent transportation

Item	Spare part	Order number
120	Norprene hose, 1.6 mm	51504116
121	C-Flex hose, 3.2 mm (permeate inlet and overflow with sample collector.)	51504114
122	C-Flex hose ID 6.4 mm	51504115
123	C-Flex hose, 1.5 mm	51512535
130	Hose connector 1.6 mm x 1.6 mm (10 pieces)	51506495
131	T-hose connector 1.6 mm x 1.6 mm x 1.6 mm (10 pieces)	51506490
134	Y-hose connector 1.6 mm x 1.6 mm x 1.6 mm (10 pieces)	51512096
135	Connection nipples for sample collector (10 piece)	51512099
136	T-hose connector 3.2 mm x 3.2 mm x 3.2 mm (10 pieces)	51516166
140	Mixer set, complete (2 pieces)	51512101
141	Collecting tank	51512102
142	Outlet pipe with hose nipple (2 pieces)	51512104
143	Leak sensor for collecting tank	51512103
154	Valve, complete	51512100
155	Valve set for two-channel version	51512234
160	Roller head with holder for hose pump	51512085
161	Hose box for pump	51512086
170	Collecting vessel with level monitoring	51512089
171	Collecting vessel without level monitoring	51512088
182	Outlet pipe with hose nipple	51515578
183	Leak sensor for collecting tank	51515581
184	Mixer assembly	51515579
185	Drain valve	51515580
300	Kit CA T-hose connectors 1.6 mm x 0.8 mm x 1.6 mm	71039848
301	Kit CA hose connectors 3.2 mm x 1.6 mm	51506491
302	Kit CA hose connectors 1.6 mm x 0.8 mm	71039845

9.4.3 Analyzer spare parts

Item	Spare part	Order number
130-133	Maintenance kit CAV740: – 1 set of pump hoses, blue/yellow (item 113, 12 piece 51506434) – 1 set of pump hoses, black/black (12 piece 51506497) – 1 pack of hose connectors each	CAV740-1A
144	Photometer cell	51505778
200	Photometer – PH-A (molybdenum blue, blue) – PH-B (molybdate vanadate, yellow) – PH-D (molybdate vanadate, yellow) – PH-E (molybdenum blue, blue)	51512063 51512064 51512066 71006301

9.5 Software history

Date	Version	Changes in the software	Documentation
08/2006	6.0	Extension <ul style="list-style-type: none"> ■ New parameter FE-D 	BA360C/07/xx/07.06
06/2006	5.9	Extension <ul style="list-style-type: none"> ■ New parameter NO-D ■ Stepping motor position is also reset in a reset ■ New stepping motor setting for CU-A/B (50 rpm) ■ Spanish replaces Dutch and Hungarian 	BA355C/07/xx/07.06
09/2005	5.8	Extension <ul style="list-style-type: none"> ■ New parameter PH-E ■ Altered factory settings for SI-A and AM-B ■ Characteristics for FE-B, CU-A and CR-A extended ■ Measuring range limitation increased to 50000 for all parameters and engineering units ■ Calibration value can be adjusted to end of measuring range 	BA356C/07/xx/07.06
06/2005	5.7	Improvement <ul style="list-style-type: none"> ■ Stack overflow eliminated ■ FE-C valve control corrected ■ RTC properly dealt with when setting/reading the time 	-
07/2004	5.6	Extension <ul style="list-style-type: none"> ■ Range of adjustment for delay to sample to 999s ■ Range of adjustment for cleaning duration to 300s ■ Range of adjustment for frequencies to 5800 Hz ■ Factory settings accepted as specified ■ Altered measuring cycles for AM-D, AL-A (like hardness) 	BA353C/07/xx/09.04 BA357C/07/xx/10.04
05/2004	5.5	Extension/improvement <ul style="list-style-type: none"> ■ Longer initialization ■ Altered measuring cycle for SI ■ Shortened reaction time, AM-C (90 s) ■ SI-A: 0 Hz signal error only after 90 s ■ Reason for crashing during frequency display in SERVICE eliminated ■ Restart after power failure 	BA364C/07/xx/06.04
03/2004	5.4	Extension/improvement <ul style="list-style-type: none"> ■ New process: HA ■ Menu extension: Cell drain time ■ Calibration valve off during reaction ■ Hungarian and Spanish no longer available ■ New hardness engineering units ■ New standard parameters/factory settings ■ Stepping motor activation corrected 	BA361C/07/xx/02.04
08/2003	5.3	Improvement <ul style="list-style-type: none"> ■ Fault elimination for measuring range switchover, HA 	-
08/2003	5.2	Extension/improvement <ul style="list-style-type: none"> ■ Factory settings for SI changed ■ CL characteristic changed ■ New startup message ■ Fault elimination for output for current output, two-channel 	-
05/2003	5.1	Extension/improvement <ul style="list-style-type: none"> ■ New parameter CL ■ Memory correction ■ Time for "Delay to sample" is used for zero measurement ■ Factory settings for MN, SI, HA changed 	BA354C/07/07.03

Date	Version	Changes in the software	Documentation
12/2002	5.0	Original software	BA353C/07/xx/01.03 BA355C/07/xx/01.03 BA356C/07/xx/01.03 BA357C/07/xx/01.03 BA358C/07/xx/01.03 BA359C/07/xx/01.03 BA360C/07/xx/01.03 BA361C/07/xx/01.03 BA362C/07/xx/01.03 BA363C/07/xx/01.03 BA364C/07/xx/07.03

9.6 Return

If the device requires repair, please send it *cleaned* to the sales centre responsible. Please use the original packaging, if possible.

Please enclose the completed "Declaration of contamination" (copy the second last page of these Operating Instructions) with the packaging and the transportation documents.
 No repair without completed "Declaration of contamination"!

9.7 Disposal

The device contains electronic components and must therefore be disposed of in accordance with regulations on the disposal of electronic waste.
 Please observe local regulations.

10 Technical data

10.1 Input

Measured variable	PO ₄ -P [mg/l]
Measuring range	PH-A 0.05 to 2.5 mg/l (0.05 to 2.5 ppm) PH-B 0.5 to 20 mg/l (0.5 to 20 ppm) PH-D 0.5 to 50 mg/l (0.5 to 50 ppm) PH-E 0.05 to 10 mg/l (0.05 to 10 ppm)
Wavelength	PH-A 880 nm PH-B and PH-D 430 nm PH-E 660 nm
Reference wavelength	565 nm

10.2 Output

Output signal	0/4 to 20 mA
Signal on alarm	Contacts: 2 limit contacts (per channel), 1 system alarm contact optional: end of measurement (with two channel version display of channel no. available)
Load	max. 500 Ω
Serial interface	RS 232 C
Data logger	1024 data pairs per channel with date, time and measured value 100 data pairs with date, time and measured value for calibration factor determination (diagnostic tool)
Load capacity	230 V / 115 V AC max. 2 A, 30 V DC max. 1 A

10.3 Power supply

Supply voltage 115 V AC / 230 V AC $\pm 10\%$, 50/60 Hz

Power consumption approx. 50 VA

Current consumption approx. 0.2 A at 230 V
approx. 0.5 A at 115 V

Fuses 1 x time-lag 0.5 A for electronics
2 x medium time-lag 0.2 A for photometer
1 x time-lag 0.5 A for motors

10.4 Performance characteristics

Time between two measurements t_{mes} = reaction time + rinse time + waiting time + rinse again time + filling time + sampling time + reagent refusal time (min. waiting time = 0 min)

Maximum measured error $\pm 2\%$ of measuring range end

Measuring interval t_{mes} to 120 min

Reaction time 6 minutes

Sample requirement 15 ml (0.51 fl.oz.) per measurement

Reagent requirement PH-A: 2 x 0.1 ml (0.0034 fl.oz.)
PH-B: 1 x 0.1 ml (0.0034 fl.oz.)
PH-D: 1 x 0.20 ml (0.0068 fl.oz.)
PH-E: 2 x 0.20 ml (0.0068 fl.oz.)
0.43 l (0.11 US.gal) (PH-A/B) resp.
0.86 l (0.23 US.gal) (PH-D/E) per reagent per month with 10 minute measuring interval

Calibration interval 0 to 720 h

Rinse interval 0 to 720 h

Rinse time selectable from 20 to 300 s (standard = 60 s)

Rinse again time 30 s

Filling time 25 s

Maintenance interval 6 months (typical)

Servicing requirement 15 minutes per week (typical)

10.5 Environment

Ambient temperature 5 to 40 °C (40 to 100 °F), avoid strong fluctuations

Humidity below the condensation limit, installation in usual, clean rooms
outdoor installation only possible with protective devices (customer supplied)

Ingress protection IP 43

10.6 Process

Sample temperature 5 to 40 °C (40 to 100 °F)

Sample flow rate min. 5 ml (0.0013 US.gal.) per min

Consistency of the sample low solid content (< 50 ppm)

Sample inlet Unpressurized

10.7 Mechanical construction

Design, dimensions see chapter "Installation"

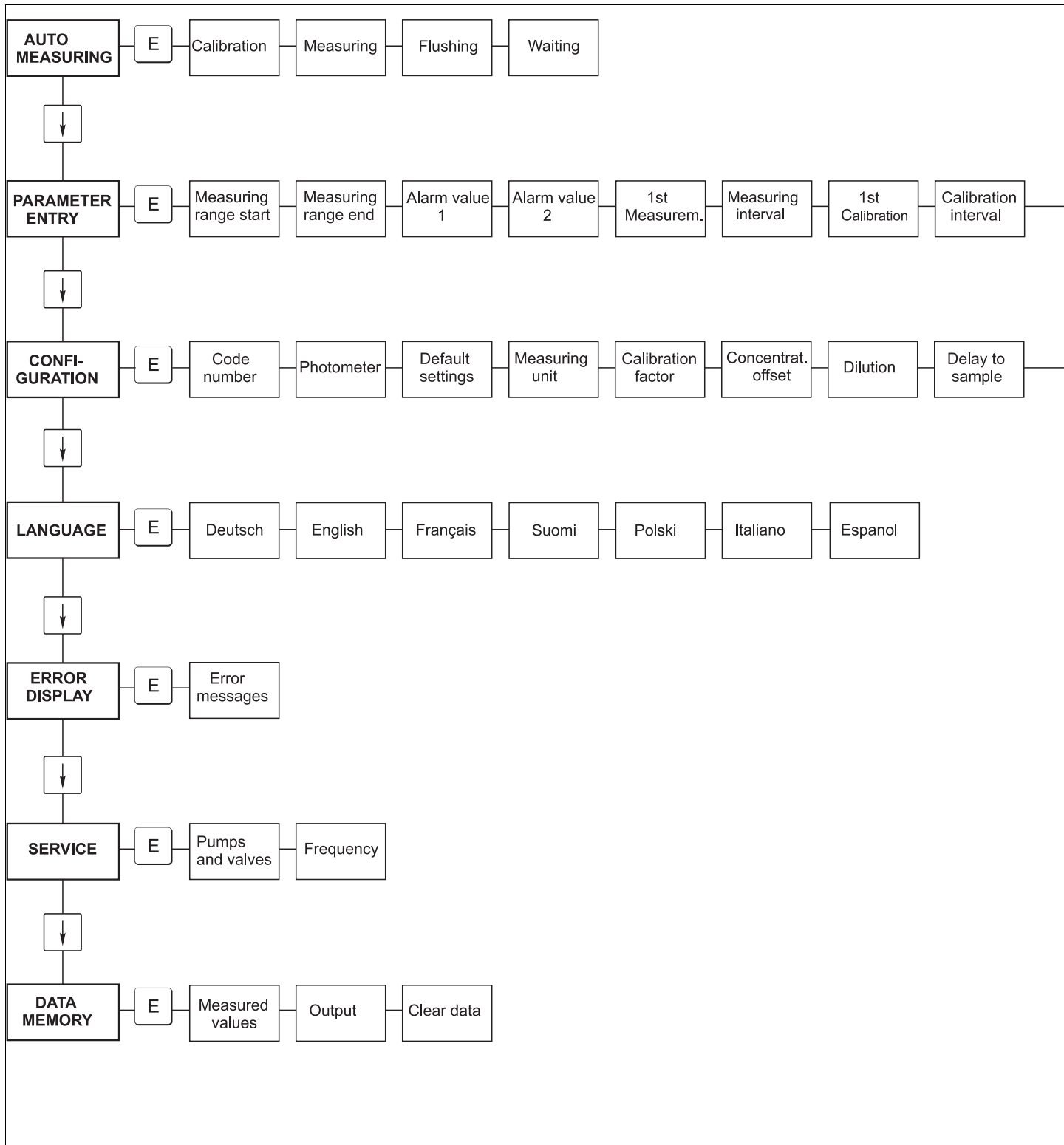
Weight	GFR housing	approx. 28 kg (62 lbs)
	Stainless steel housing	approx. 33 kg (73 lbs)
	Without housing	approx. 25 kg (55 lbs)

Material	Housing:	Stainless steel 1.4301 (AISI 304) or glass-fibre reinforced carbon(GFR)
	Front windows:	Polycarbonate®
	Endless hose:	C-Flex®, Norprene®
	Pump hose:	Tygon®, Viton®
	Valves:	Tygon®, silicone

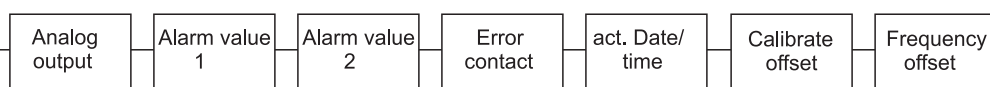
11 Appendix

11.1 Operating matrix

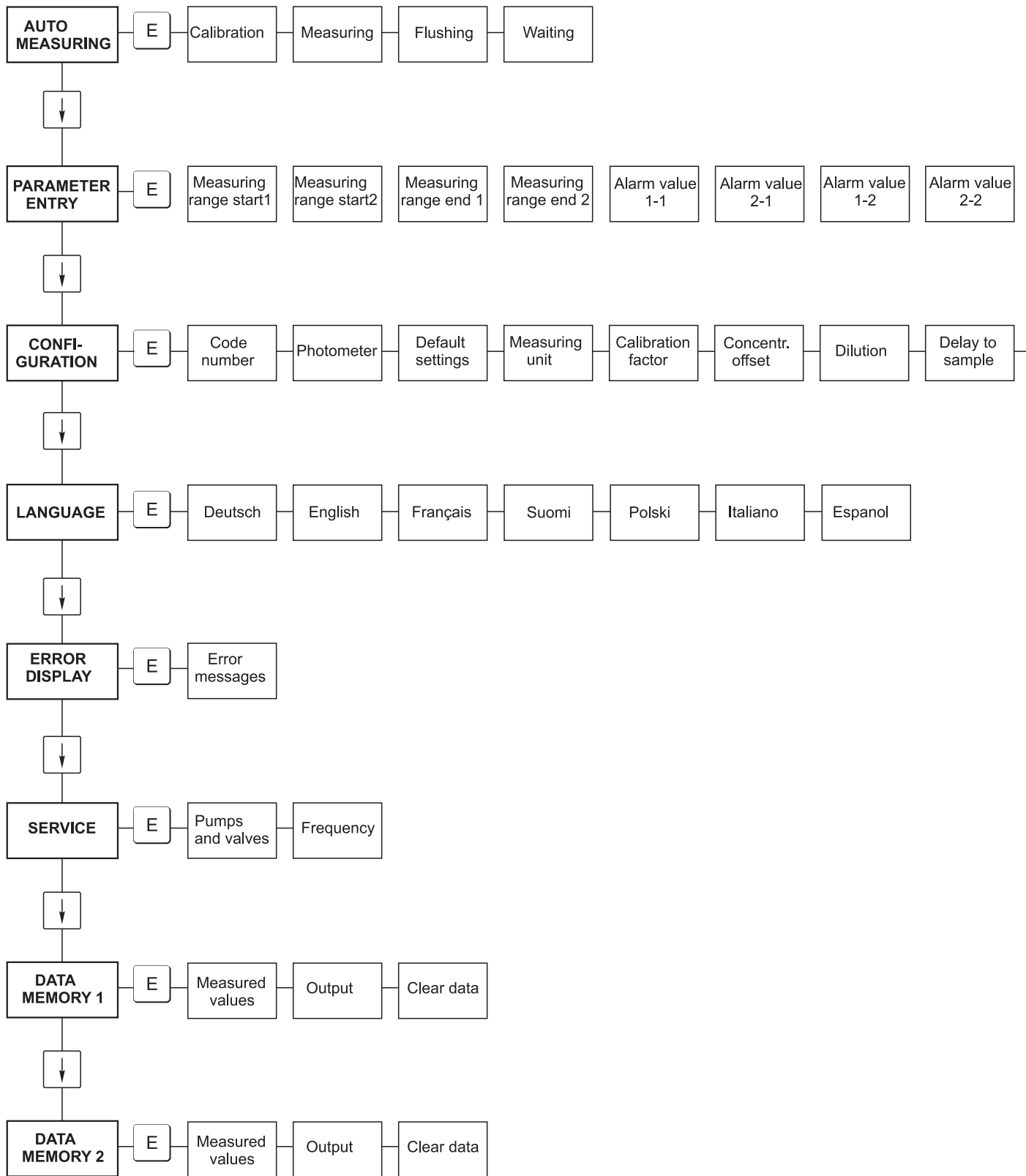
One-channel version

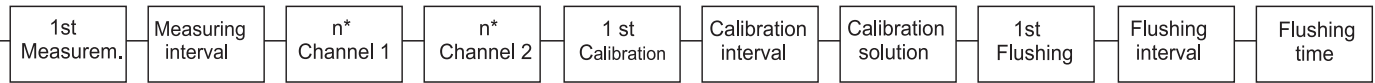


a0001907-en



Two-channel version





11.2 Ordering forms

11.2.1 Reagents and accessories

to Fax no:	
Telefax for chemicals ordering	
to (adress of your sales centre)	from (invoice adress) Company: Concern: Street: Zip code / Town: Telefax / Telephone:
Adress for delivery (if not the above adress) Company / Name: Street / Zip code / Town:	

Quantity	Order no.	Description
	CAV740-1A	Maintenance kit CA7X <ul style="list-style-type: none"> ■ 1 Set pump hoses yellow/blue (12 pieces) ■ 1 Set pump hoses black/black (12 pieces) ■ 1 Set of each hose adapter pos. 130-134 (10 pieces each) ■ C-Flex valve hose, length 1.40 m

Quantity	Order no.	Description
	CAY240-V10AAE	Reagent set active, 1 l of each reagent PH1+PH2 (blue)
	CAY240-V10AAH	Reagent set inactive, 1 l of each reagent PH1+PH2 (blue)
	CAY243-V10AAE	Reagent active PH1, 1 l (yellow)
	CAY241-V10AAE	Cleaning agent 1 l
	CAY242-V10C01AAE	Standard solution 1.0 mg/1 PO ₄ - P
	CAY242-V10C03AAE	Standard solution 1.5 mg/1 PO ₄ - P
	CAY242-V10C02AAE	Standard solution 2.0 mg/1 PO ₄ - P
	CAY242-V10C05AAE	Standard solution 5 mg/1 PO ₄ - P
	CAY242-V10C10AAE	Standard solution 10 mg/1 PO ₄ - P
	CAY242-V10C15AAE	Standard solution 15 mg/1 PO ₄ - P
	CAY242-V10C20AAE	Standard solution 20 mg/1 PO ₄ - P
	CAY242-V10C25AAE	Standard solution 25 mg/1 PO ₄ - P
	CAY242-V10C30AAE	Standard solution 30 mg/1 PO ₄ - P
	CAY242-V10C40AAE	Standard solution 40 mg/1 PO ₄ - P
	CAY242-V10C50AAE	Standard solution 50 mg/1 PO ₄ - P

Quantity	Order no.	Description
	CAY746-V01AAE	Alkaline cleaning agent P3-Ultrasil 130, 100 ml
	CAY746-V10AAE	Alkaline cleaning agent P3-Ultrasil 130, 1 l
	CAY746-V50AAE	Alkaline cleaning agent P3-Ultrasil 130, 5 l
	CAY747-V01AAE	Acidic cleaning agent P3-Ultrasil 130, 100 ml
	CAY747-V10AAE	Acidic cleaning agent P3-Ultrasil 130, 1 l
	CAY747-V50AAE	Acidic cleaning agent P3-Ultrasil 130, 5 l

Place _____ Date _____ Signature _____
Delivery one week after orders received. Delivery is unpaid.

11.2.2 Ordering wear parts

to Fax no:	
Telefax for wear parts ordering	
to (adress of your sales centre)	from (invoice adress) Company: Concern: Street: Zip code / Town: Telefax / Telephone:
Adress for delivery (if not the above adress) Company / Name: Street / Zip code / Town:	

Spare parts for maintenance and service

Quantity	Position	Pieces/pack.	Description	Order no.
	110	12	Tygon pump hose yellow/blue	51506434
	111	12	Tygon pump hose black/black	51506437
	120	15 m	Norpren hose ID 1.6 mm	51504116
	121	7.5 m	C-Flex hose ID 3.2 mm	51504114
	122	7.5 m	C-Flex hose ID 6.4 mm	51504115
	123	1 m	C-Flex hose ID 1.5 mm	51512535
	130	10	Hose adapter 1.6 mm x 1.6 mm	51506495
	131	10	Hose adapter T 1.6 mm x 1.6 mm x 1.6 mm	51506490
	132	10	Hose adapter 3.2 mm x 3.2 mm	51506491
		10	Hose adapter T 6.4 mm x 6.4 mm x 6.4 mm	51506493
		10	Hose adapter 6.4 mm x 6.4 mm	51506494
	133	10	Hose adapter 3.2 mm x 6.4 mm	51506492
	134	10	Y Hose adapter 1.6 mm x 1.6 mm x 1.6 mm	51512096
	135	10	Connection nipples for sampler (10 pieces)	51512099
	155	1	Valve set for two-channel version	51512235
	160	1	Wheel head with holder for hose pump	51512085
	161	1	Hose cassette for pump	51512086
	170	1	Collecting vessel with level measurement	51512089
	171	1	Collecting vessel without level measurement	51512088
	200	1	Photometer Type ¹⁾ :	
		1	Silicon spray	51504155
		1	Cleaning syringe	51503943

1) Please, take the photometer type and the order no. from chapter "Trouble-shooting/Spare parts" and write it down here!

Place

Date

Signature

Delivery one week after orders received. Delivery is unpaid.

11.3 Analyzer settings

Place:
Type:
Serial no. analyser:
Serial no. Photometer:
Software version:
Date:

Photometer Type:		
Measuring unit:		
Calibration factor:		
c-offset:	■ mg/l	■ µg/l
Dilution:		
Delay to sample:	s	
Analog output:	■ 0-20 mA	■ 4-20 mA
AV 1:	■ normally closed	■ normally open
AV 2:	■ normally closed	■ normally open
Fault signal:	■ normally closed	■ normally open
Frequency offset:	Hz	
Ground line: (demineralised water without reagent)	Hz	
Measuring range start:	■ mg/l	■ µg/l
Measuring range end:	■ mg/l	■ µg/l
AV 1:	■ mg/l	■ µg/l
AV 2:	■ mg/l	■ µg/l
1st measuring:		
Measuring interval:	min	
1st calibration:		
Calibration interval:	h	
Calibration solution:	■ mg/l	■ µg/l
1st rinsing:		
Rinse interval:	h	
Rinse time:	s	

Submenu			
Error mask:			
MB >:			
MBE:			
Rinse again:			
Filling time:			
Reaction time:			
U/min:			
K floating mean:			
N:	Points		
C1:	mg/l / µg/l	F 1:	Hz
C2:	mg/l / µg/l	F 2:	Hz
C3:	mg/l / µg/l	F 3:	Hz
C4:	mg/l / µg/l	F 4:	Hz
C5:	mg/l / µg/l	F 5:	Hz
C6:	mg/l / µg/l	F 6:	Hz
C7:	mg/l / µg/l	F 7:	Hz
C8:	mg/l / µg/l	F 8:	Hz
C9:	mg/l / µg/l	F 9:	Hz
C10:	mg/l / µg/l	F 10:	Hz

Date:

Service technician:

11.4 Maintenance schedule

Maintenance schedule for analyser no.

weekly

- Check and note calibration factor
- Visual check (soiling, pump tubings, reagent, sample inlet etc.)
- Move hoses in the valves, change position due to valve pressure, spray hoses with silicone spray

done	cw 1	cw 2	cw 3	cw 4	cw 5	cw 6	cw 7	cw 8	cw 9	cw 10	cw 11	cw 12
date												
done	cw 13	cw 14	cw 15	cw 16	cw 17	cw 18	cw 19	cw 20	cw 21	cw 22	cw 23	cw 24
date												
done	cw 25	cw 26	cw 27	cw 28	cw 29	cw 30	cw 31	cw 32	cw 33	cw 34	cw 35	cw 36
date												
done	cw 37	cw 38	cw 39	cw 40	cw 41	cw 42	cw 43	cw 44	cw 45	cw 46	cw 47	cw 48
date												
done	cw 49	cw 50	cw 51	cw 52	cw 53							
date												

2-weekly

- Check concentration of the calibration factor in the laboratory.
If necessary, adjust concentration in the menu parameter entry or use new standard.
- Flush sample tubing system with pressurised water (disposable syringe). Remove hose holder unit from the pump.

done	cw 1	cw 3	cw 5	cw 7	cw 9	cw 11	cw 13	cw 15	cw 17	cw 19	cw 21	cw 23
date												
done	cw 25	cw 27	cw 29	cw 31	cw 33	cw 35	cw 37	cw 39	cw 41	cw 43	cw 45	cw 47
date												
done	cw 49	cw 51	cw 53									
date												

monthly or if required

- Replace reagents.
- Flush the sample tubing system with 12.5% bleaching lye (sodium hypochloride) and reflush thoroughly with water (menu Service V1: P, P1: g, P2: s, V2: S, (two channel version also V3))
- Check sample collector for fouling and clean it if necessary
- Spray pump hoses with silicone spray.

done	Jan	Feb	Mar	Apr	May	Jun	Jul	Aug	Sep	Oct	Nov	Dec
date												

every 3rd month / every 6th month

- Turn the pump hoses in the hose holder unit (**monthly**), replace them (**every 6th month**)
Attention: *Whenever working on the reagent hoses, the hoses must be removed from the canisters and the T-connectors near the reagent pump to prevent contamination of the reagents.*
- Clean drain lines

done	Jan	Feb	Mar	Apr	May	Jun	Jul	Aug	Sep	Oct	Nov	Dec
date												

Index

A

Accessories	42
Alarm values	25–26
Analog output	25
Analyzer at a glance	8
AUTO MEASURING	23

C

Calibration	29
Calibration factor	24
Calibration interval	26
Certificates	7
Checking	
Connection	21
Function	32
Installation	14
Cleaner	42
Cleaning	41
Collecting vessel	42
Commissioning	4, 32
Dry	32
Wet	33
Concentration offset	24
CONFIGURATION	24
Connection	
Sample line	11
Serial interface	20
Signals	18
Contacts	19

D

DATA STORAGE	29
Declaration of conformity	7
Designated use	4
Dilution module	34, 43
Display	22
Disposal	49

E

Electrical connection	15
Environment	52
ERROR DISPLAY	28
Error messages	44
Errors	44
Process errors	45
System errors	44

F

Flushing interval	27
Frequency offset	25

G

GFR housing	10
-------------------	----

H

Housing	
GFR	10

Stainless steel	9
Without	10

I

Icons	5
Incoming acceptance	9
Input	50
Installation	4, 8–9, 12
Examples	14
Interference suppressor	18

L

LANGUAGE	28
----------------	----

M

Main menu	23
Maintenance	36
Schedule	36
Maintenance kit	42
Measuring unit	24
Mechanical construction	52
Menu	
Auto Measuring	23
Configuration	24
Data storage	29
Error display	28
Language	28
Main menu	23
Parameter entry	26
Service	28
Mixer	40

N

Nameplate	6
-----------------	---

O

Offset	
Concentration	24
Frequency	25
Open version	10
Operating matrix	54
Operation	4, 22
Operational safety	4
Ordering information	6
Output	50
Overview of analyzer	8

P

PARAMETER ENTRY	26
Performance characteristics	51
Photometer optical cell	40
Placing out of service	41
Power supply	51
Process	52
Product structure	6
Pump hoses	37
Pumps	28

Q

Quality certificate 7

R

Reaching the terminal block 15

Reagents 36, 42

Replacing

 Mixer 40

 Photometer optical cell 40

 Pump hoses 37

 Reagents 36

 Valve hoses 39

Return 4, 49

S

Safety icons 5

Sample line 11

Scope of delivery 7

Screening 18

Serial interface 20

SERVICE 28

Signal connection 18

Software history 48

Spare parts 46

Stainless steel housing 9

Standard solution 42

Storage 9

Switching contacts 19

Switch-on 32

Symbols 5

T

Technical data 50–52

Transport 9

U

Use 4

V

Valve hoses 39

Valves 28

Declaration of Hazardous Material and De-Contamination *Erklärung zur Kontamination und Reinigung*

RA No.

Please reference the Return Authorization Number (RA#), obtained from Endress+Hauser, on all paperwork and mark the RA# clearly on the outside of the box. If this procedure is not followed, it may result in the refusal of the package at our facility.
Bitte geben Sie die von E+H mitgeteilte Rücklieferungsnummer (RA#) auf allen Lieferpapieren an und vermerken Sie diese auch außen auf der Verpackung. Nichtbeachtung dieser Anweisung führt zur Ablehnung ihrer Lieferung.

Because of legal regulations and for the safety of our employees and operating equipment, we need the "Declaration of Hazardous Material and De-Contamination", with your signature, before your order can be handled. Please make absolutely sure to attach it to the outside of the packaging.

Aufgrund der gesetzlichen Vorschriften und zum Schutz unserer Mitarbeiter und Betriebseinrichtungen, benötigen wir die unterschriebene "Erklärung zur Kontamination und Reinigung", bevor Ihr Auftrag bearbeitet werden kann. Bringen Sie diese unbedingt außen an der Verpackung an.

Type of instrument / sensor

Geräte-/Sensortyp _____

Serial number

Seriennummer _____

Used as SIL device in a Safety Instrumented System / Einsatz als SIL Gerät in Schutzeinrichtungen

Process data / Prozessdaten

Temperature / Temperatur _____ [°F] _____ [°C]

Pressure / Druck _____ [psi] _____ [Pa]

Conductivity / Leitfähigkeit _____ [µS/cm]

Viscosity / Viskosität _____ [cp] _____ [mm²/s]

Medium and warnings

Warnhinweise zum Medium



	Medium /concentration <i>Medium /Konzentration</i>	Identification CAS No.	flammable <i>entzündlich</i>	toxic <i>giftig</i>	corrosive <i>ätzend</i>	harmful/ irritant <i>gesundheitsschädlich/ reizend</i>	other * <i>sonstiges*</i>	harmless <i>unbedenklich</i>
Process medium <i>Medium im Prozess</i>								
Medium for process cleaning <i>Medium zur Prozessreinigung</i>								
Returned part cleaned with <i>Medium zur Endreinigung</i>								

* explosive; oxidising; dangerous for the environment; biological risk; radioactive

* *explosiv; brandfördernd; umweltgefährlich; biogefährlich; radioaktiv*

Please tick should one of the above be applicable, include safety data sheet and, if necessary, special handling instructions.

Zutreffendes ankreuzen; trifft einer der Warnhinweise zu, Sicherheitsdatenblatt und ggf. spezielle Handhabungsvorschriften beilegen.

Description of failure / Fehlerbeschreibung _____

Company data / Angaben zum Absender

Company / Firma _____	Phone number of contact person / Telefon-Nr. Ansprechpartner: _____
Address / Adresse _____	Fax / E-Mail _____
_____	Your order No. / Ihre Auftragsnr. _____

"We hereby certify that this declaration is filled out truthfully and completely to the best of our knowledge. We further certify that the returned parts have been carefully cleaned. To the best of our knowledge they are free of any residues in dangerous quantities."

"Wir bestätigen, die vorliegende Erklärung nach unserem besten Wissen wahrheitsgetreu und vollständig ausgefüllt zu haben. Wir bestätigen weiter, dass die zurückgesandten Teile sorgfältig gereinigt wurden und nach unserem besten Wissen frei von Rückständen in gefahrbringender Menge sind."

(place, date / Ort, Datum)

Name, dept./Abt. (please print / bitte Druckschrift)

Signature / Unterschrift

www.endress.com/worldwide

Endress+Hauser 
People for Process Automation

