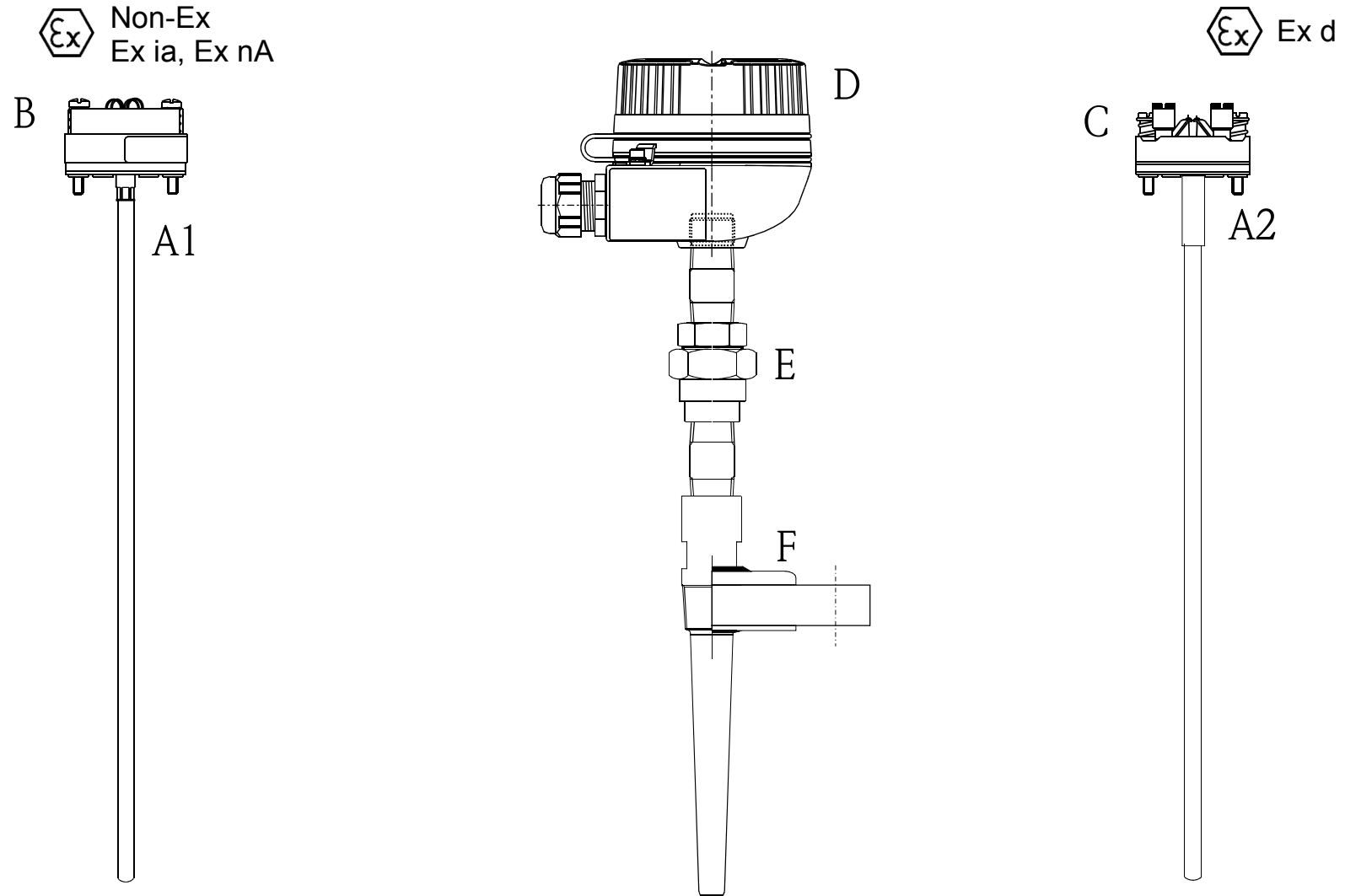


Equipment architecture of the Omnigrad S TR66



- A1 Insert with mounted head transmitter, for example
- A2 Insert with mounted ceramic terminal block, for example
- B Head transmitter
- C Ceramic terminal
- D Terminal head
- E Various tip shapes
- F Process connection