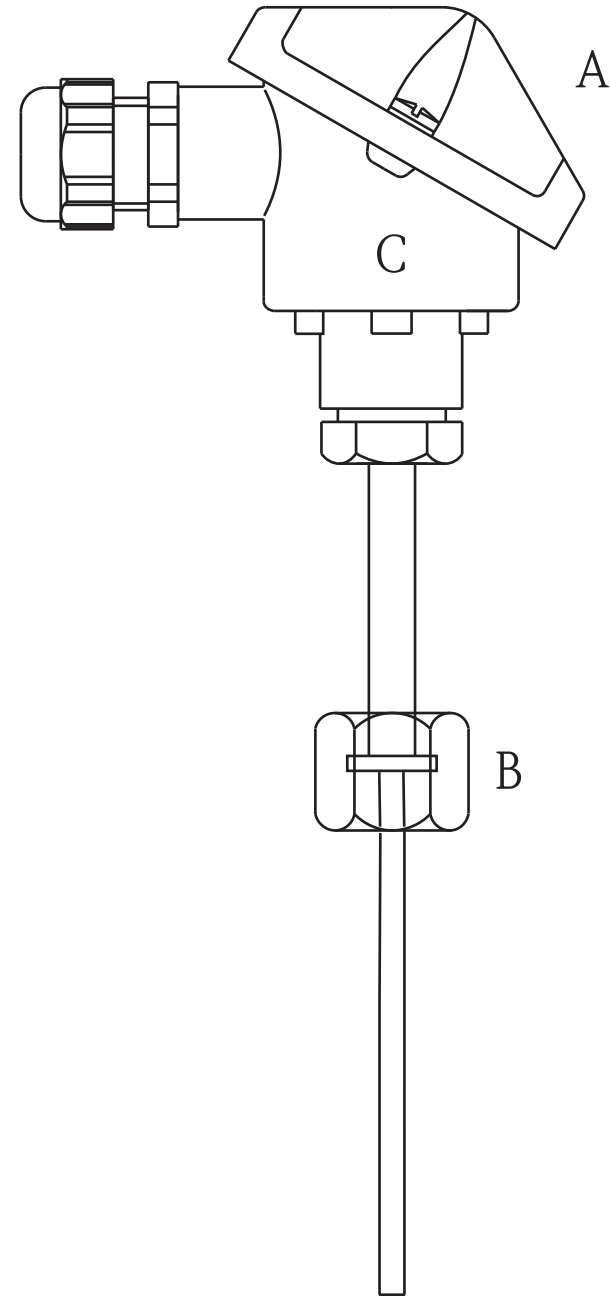
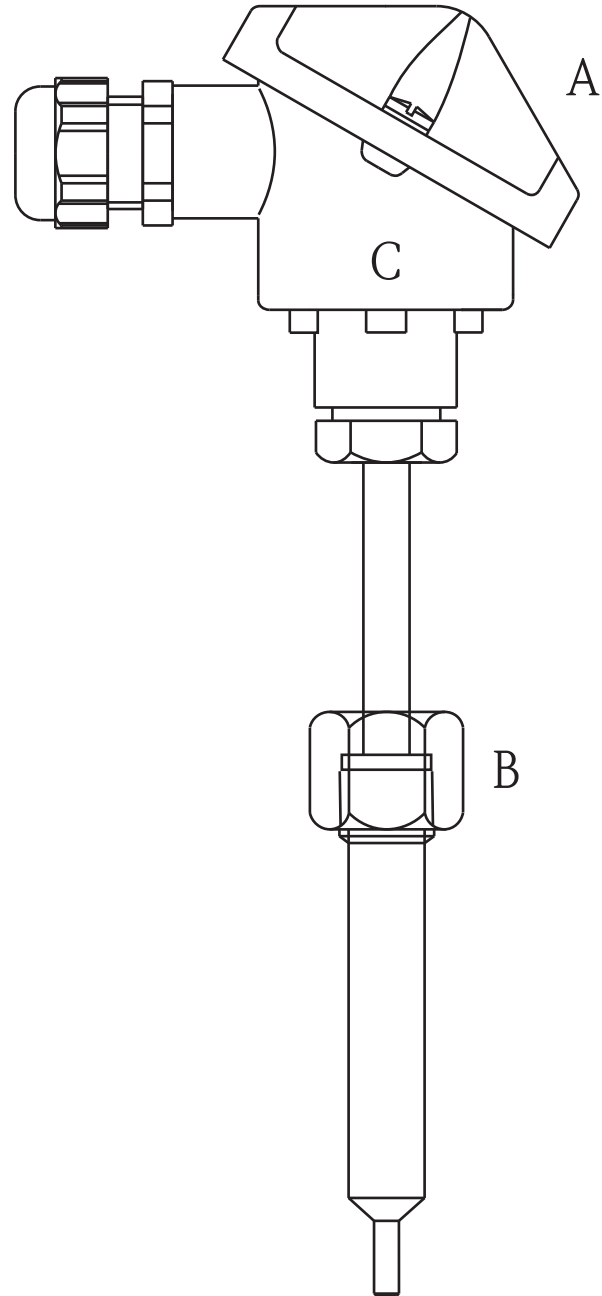
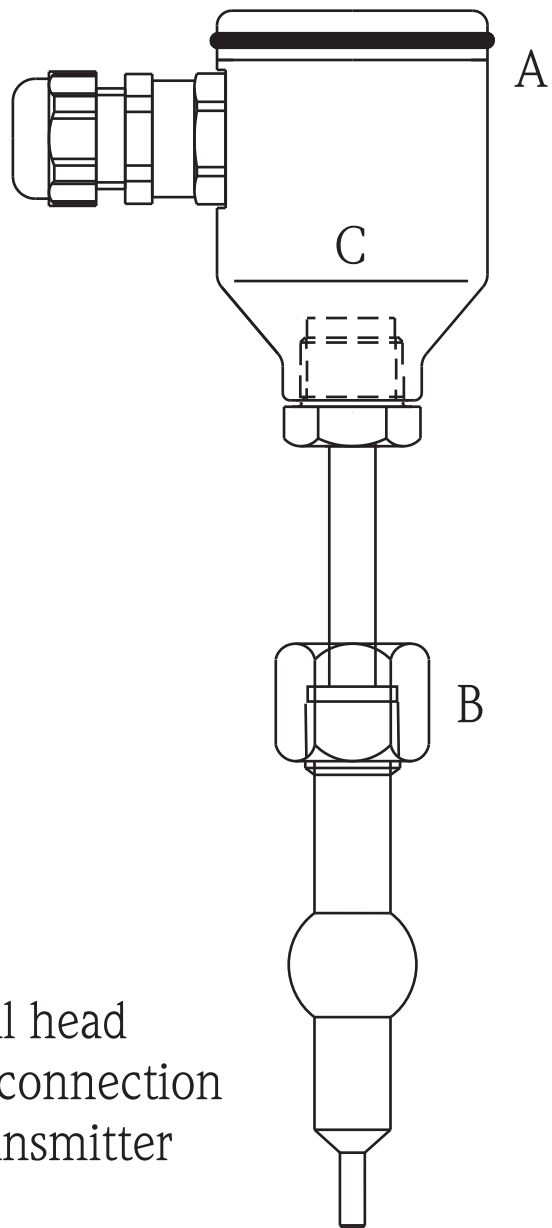


# Equipment architecture of the Omnigrad M TR47



- A Terminal head
- B Process connection
- C Head transmitter