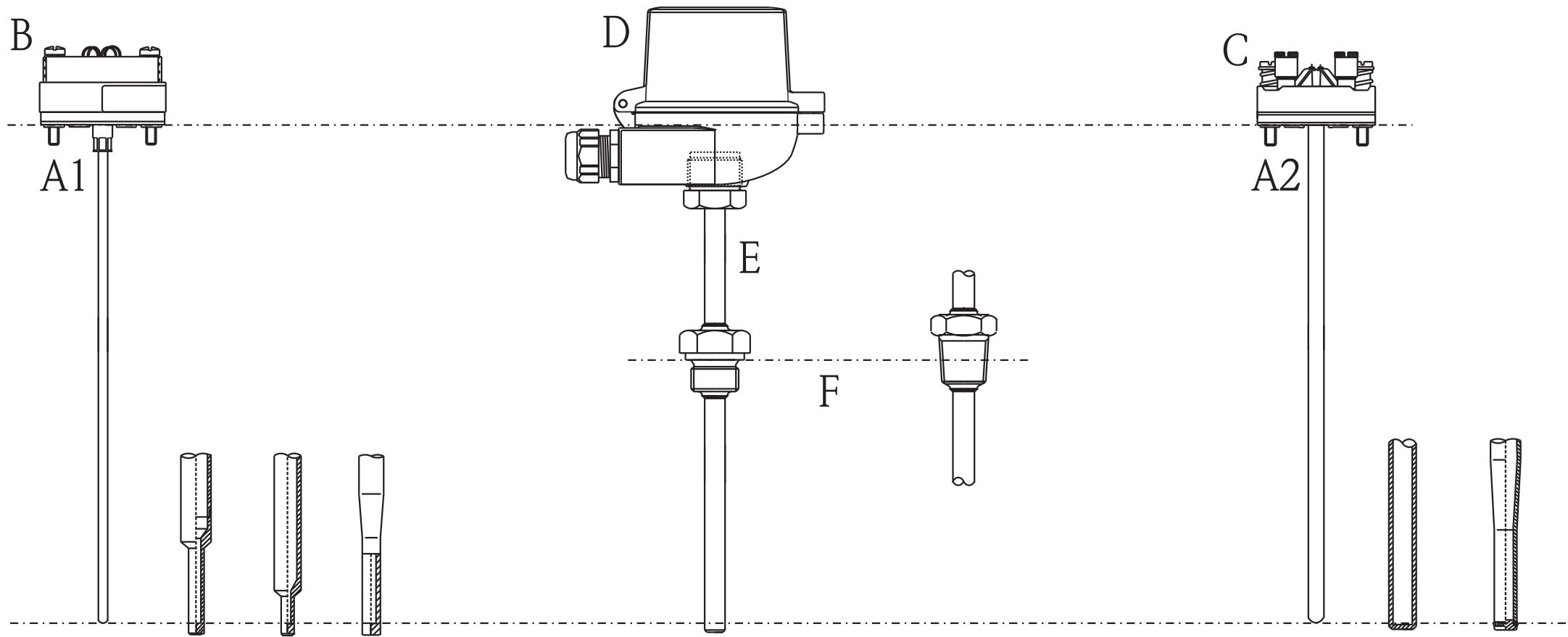


Equipment architecture of the Omnigrad M TR10



A1 Insert (\varnothing 3 mm, 0.12 in) with mounted head transmitter, for example

A2 Insert (\varnothing 6 mm, 0.24 in) with mounted ceramic terminal block, for example

B Head transmitter

C Ceramic terminal

D Terminal head

E Protection armature

F Process connection