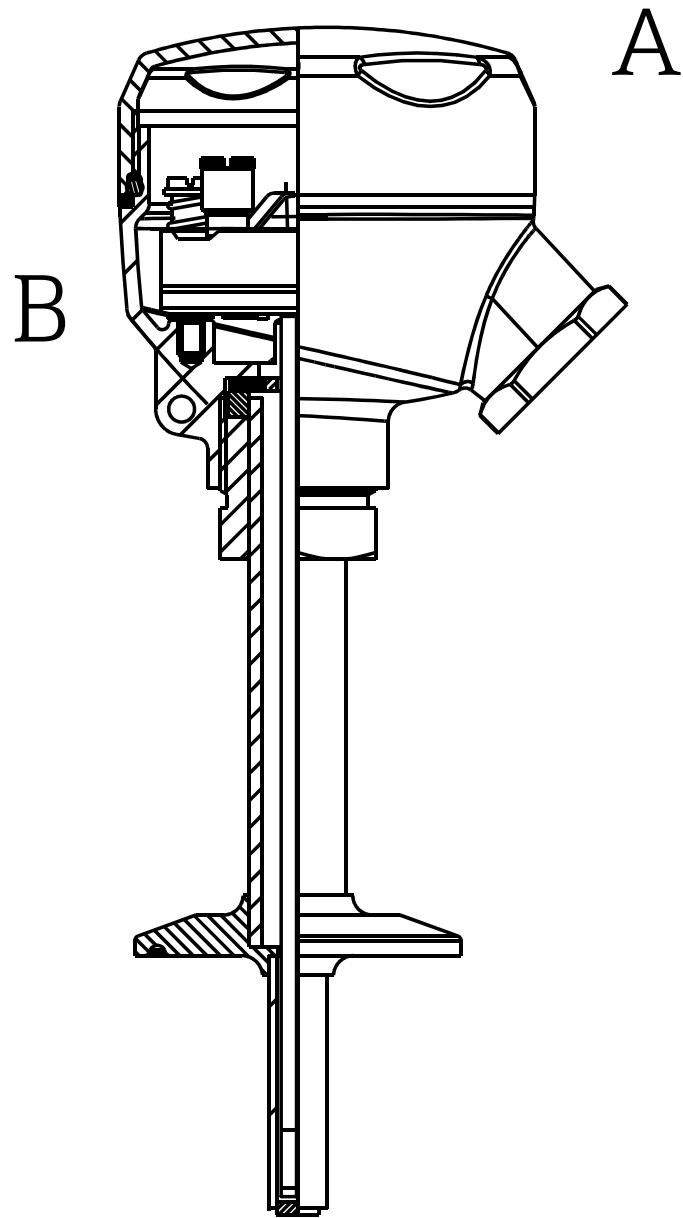
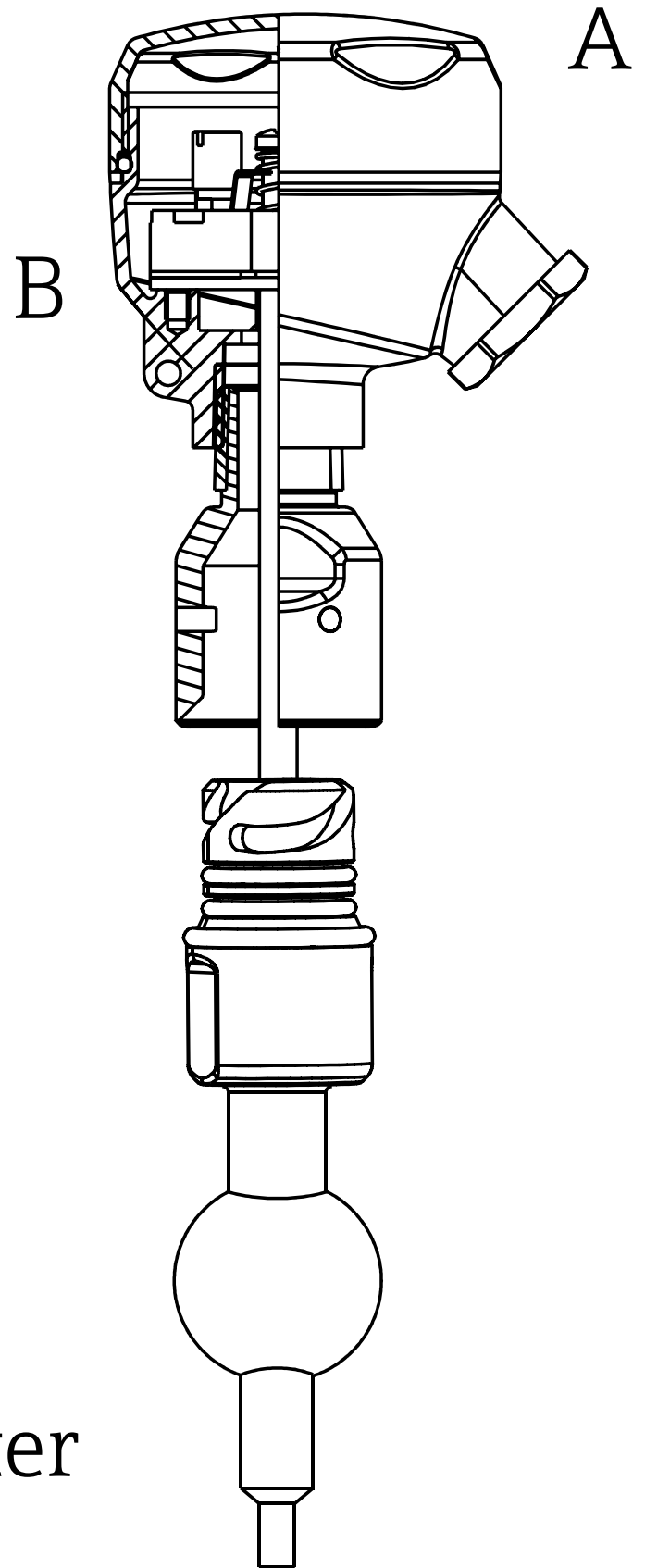


Equipment architecture of the iTHERM TM411



TM412



A - Terminal head
B - Head transmitter