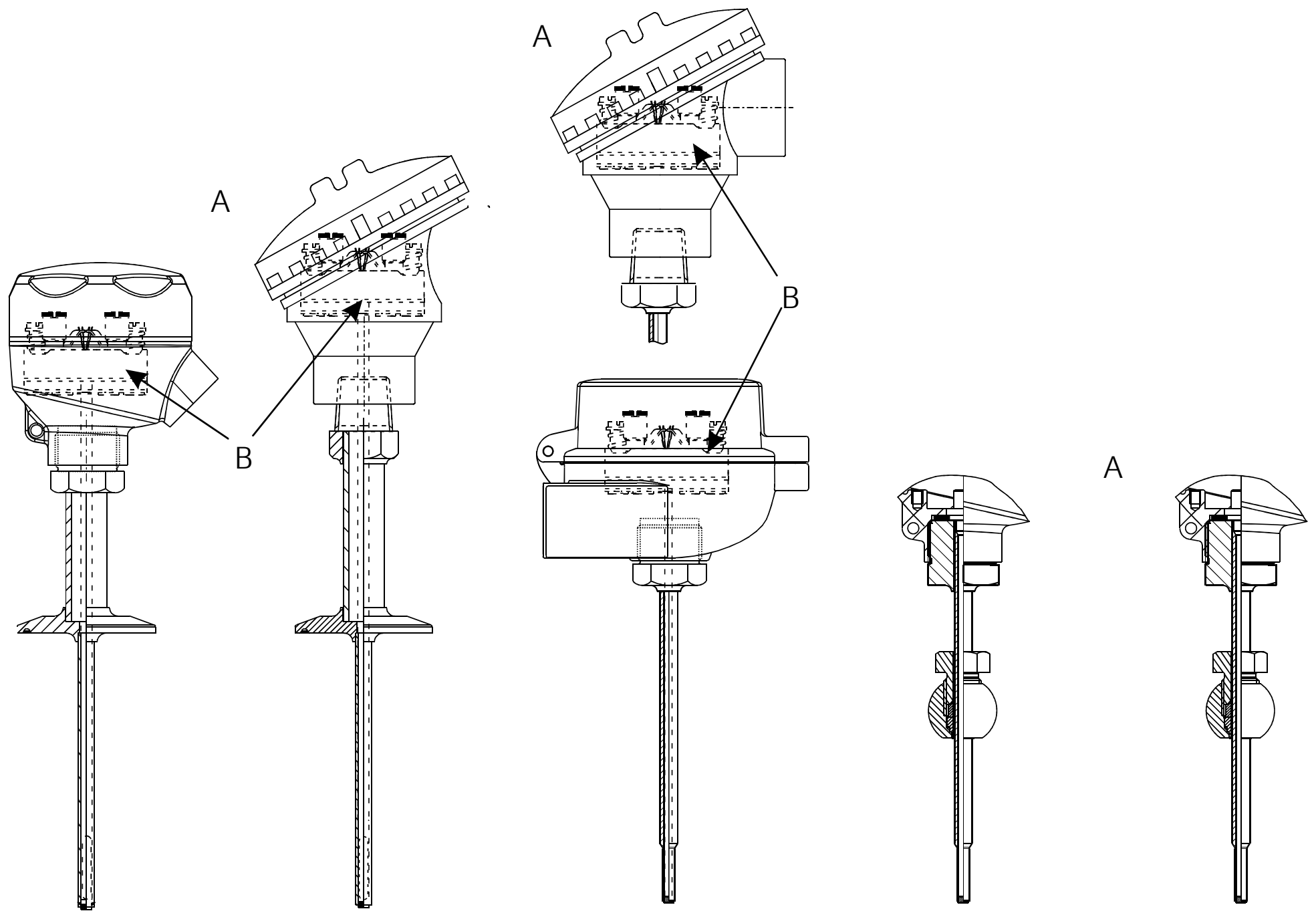


# Equipment architecture of the iTHERM TM401



A - Terminal head  
B - Head transmitter