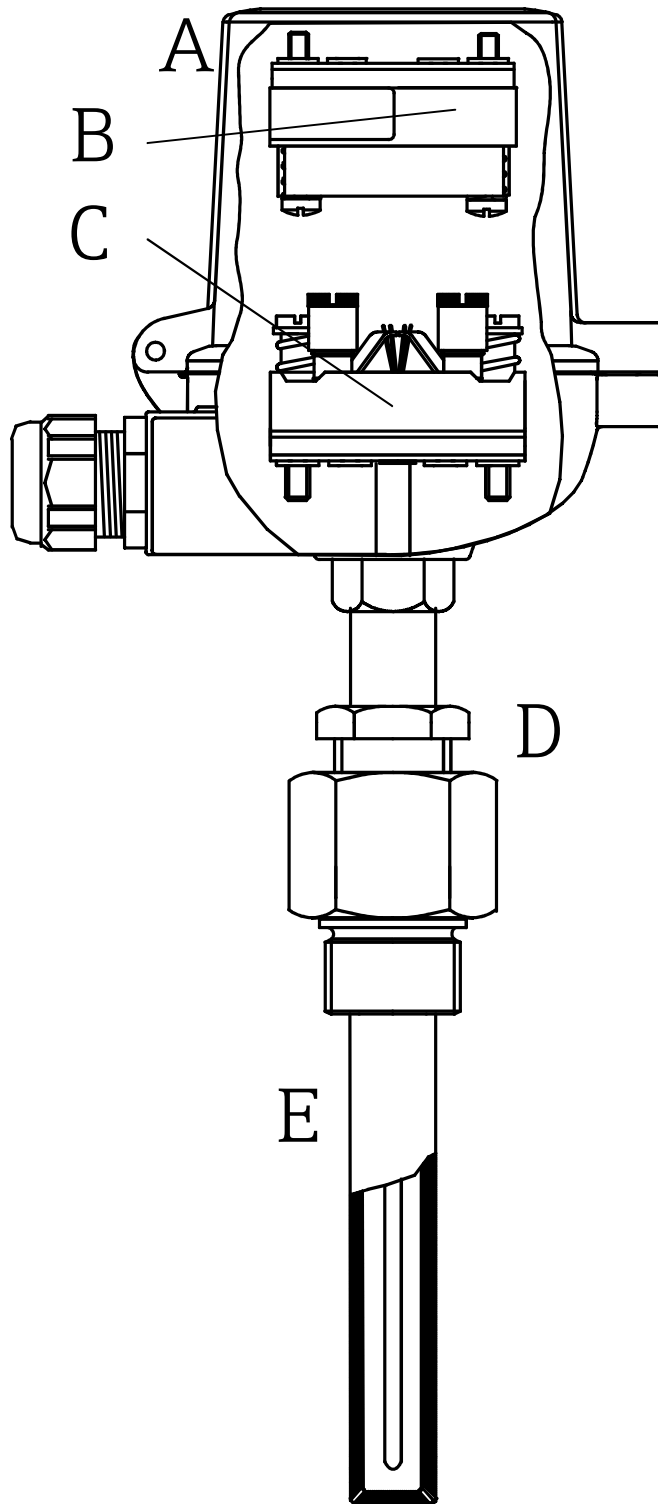


Equipment architecture of the Omnigrad TAF16



A - Terminal head

B - Terminal block with head transmitter

C - Terminal block

D - Process connection

E - Metal or ceramic thermowell