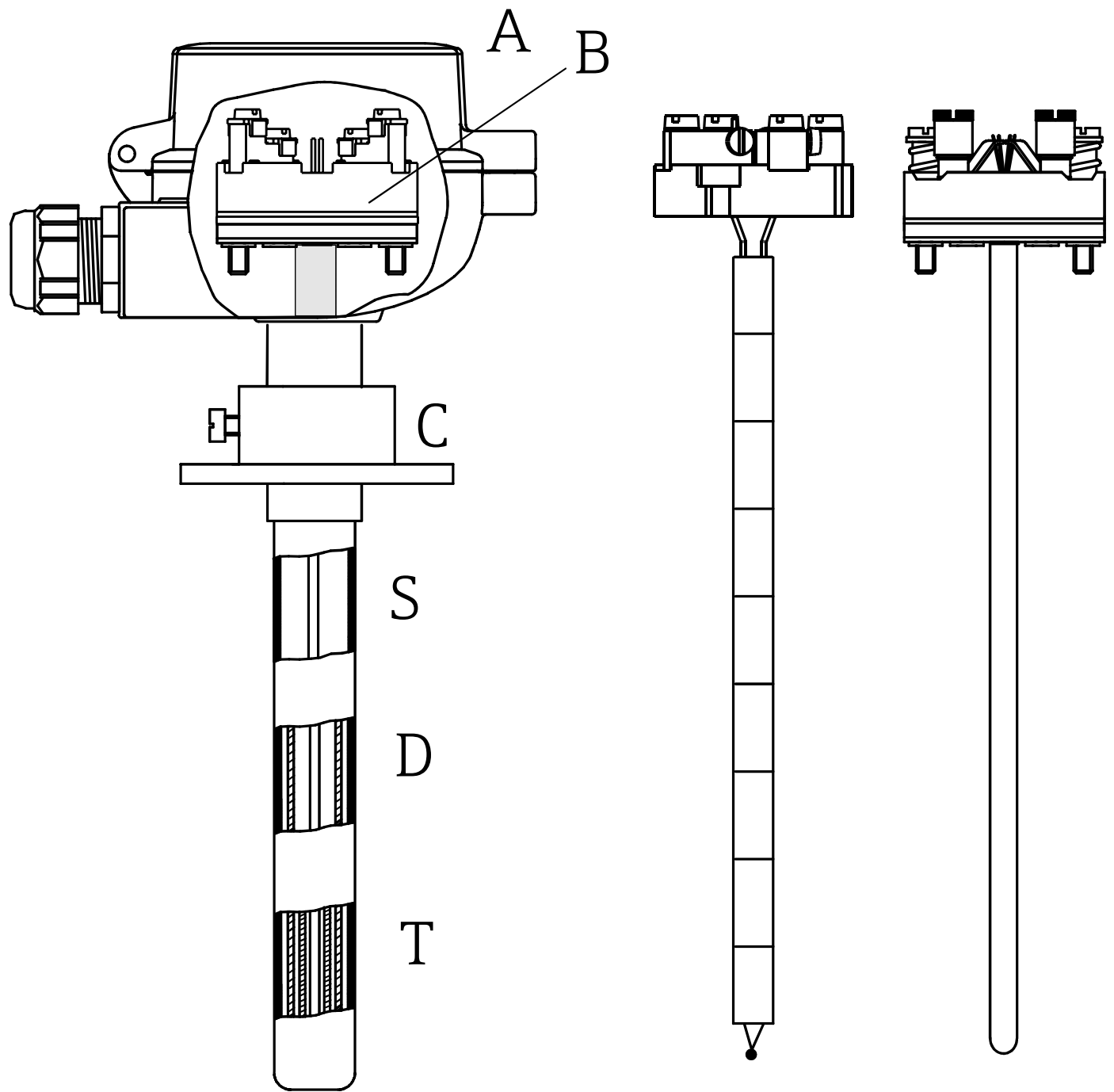


# Equipment architecture of the Omnigrad TAF12



A - Terminal head

B - Terminal block

C - Protection armature

S - Single ceramic thermowell

D - Double ceramic thermowell

T - Triple ceramic thermowell