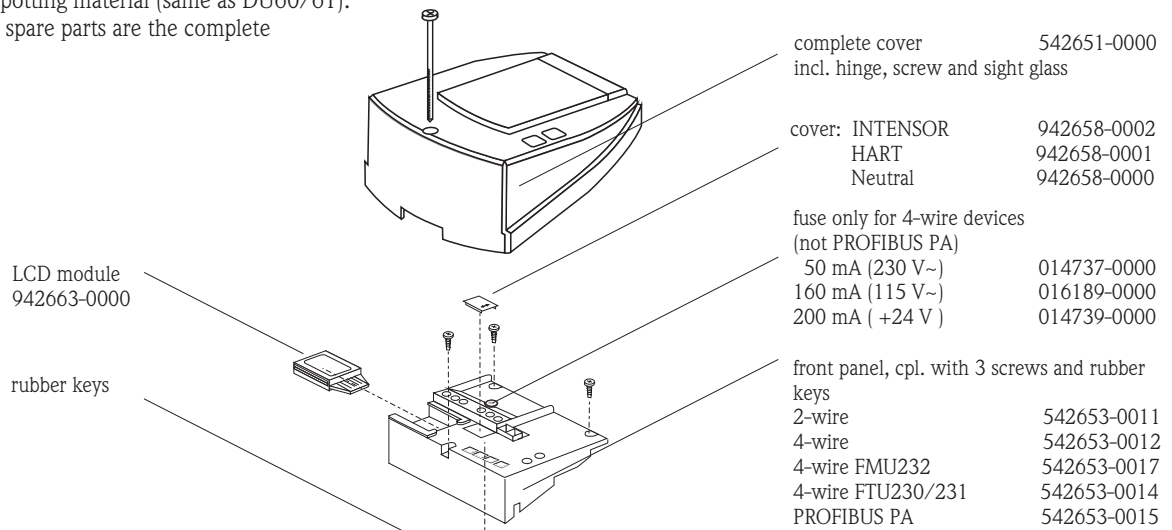


Spare parts Prosonic T FMU13x, FMU23x and FTU23x

(Release 04.2007)

FMU130 and FMU131 are potted up to the front panel with a hard potting material (same as DU60/61). The only available spare parts are the complete cover and screw.



2-wire electronics

com- munication	FMU230	FMU231	FMU232
without	528313-0000	528313-0000	528313-0200
INTENSOR	528313-0100	528313-0100	---
HART	528313-0200	528313-0200	---
PROFIBUS PA	528333-0000	528333-0000	5200 7322

spare electronics for FMU130/131 not available

4-wire electronics, AC/DC

	operating voltage	communication	
		without	HART
FMU230	DC	528315-0040	528315-0240
	115 V~	528315-0010	528315-0210
FMU231	230 V~	528315-0000	528315-0200
FMU232		528315-0000	528315-0200
FTU230	115 V~	528315-0410	---
	230 V~	528315-0400	---
FTU231	230 V~	528315-0400	---

operating unit, without rubber keys

	4-wire	2-wire
without communication		
INTENSOR	528297-1000	528297-4000
HART		
PROFIBUS PA	528427-0000	
FTU230/231	528297-3000	---

4x Torx screw 3.5 x 20 016049-3520

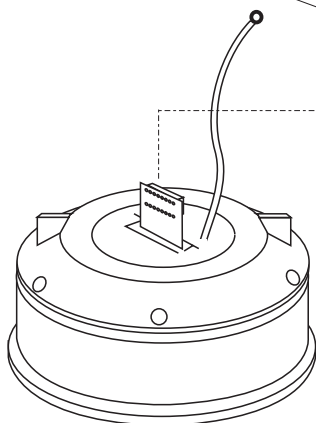
blind cover 015565-0000

housing F9 with Goretex filter
standard 942650-0000
for sensor 4" 942650-1000
for PROFIBUS PA
(only for FMU 230 / 231) 942650-2000

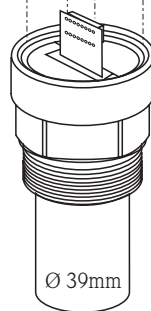
flat gasket (5 pieces) 71037027

PG16 cable gland with reduction to PG13.5 016908-0000
adaptor PG16 / 1½"NPT 919253-1000
adaptor PG16 / M20 919253-0000
adaptor PG16 / G1½" 919253-2000

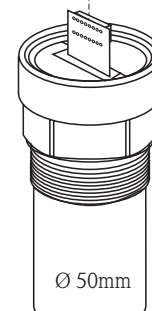
PE-cover 942661-0000



sensor 4"
542634-0000



sensor 1½" + nut
542626-0000 metr. thread
542626-0001 thread NPT



sensor 2" + nut
542626-1000 metr. thread
542626-1001 thread NPT