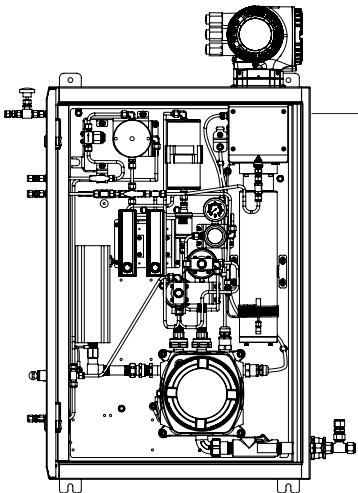
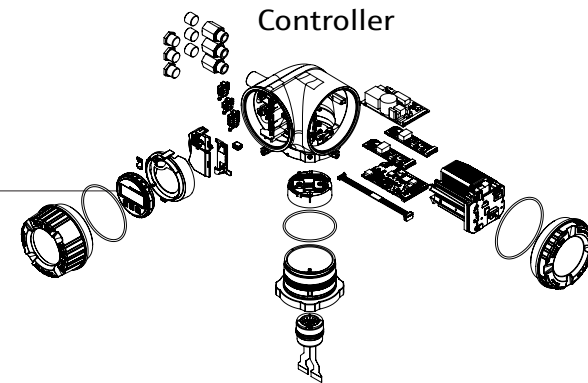
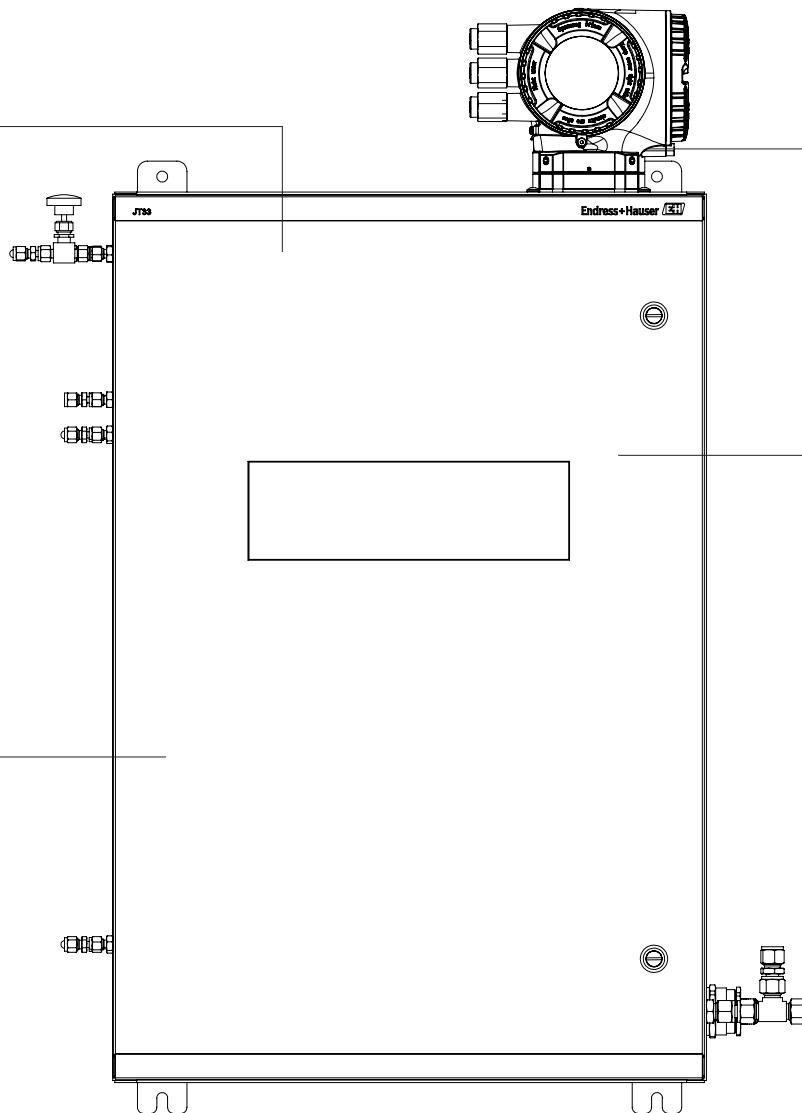
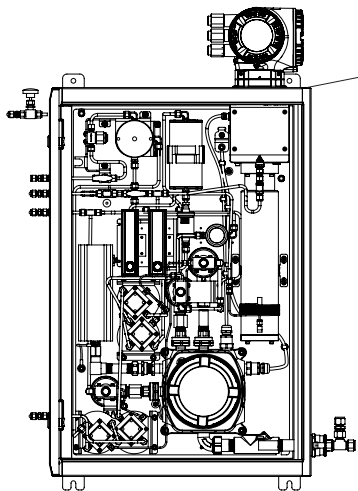


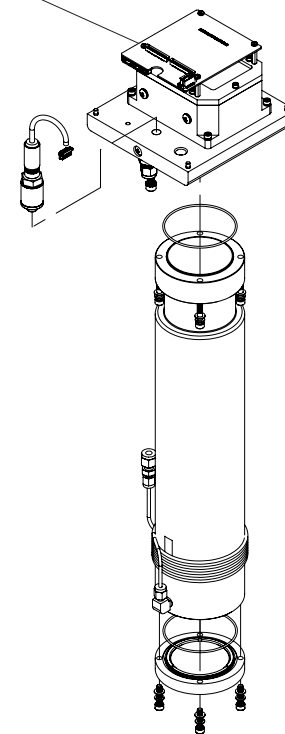
Manual validation
sample conditioning system

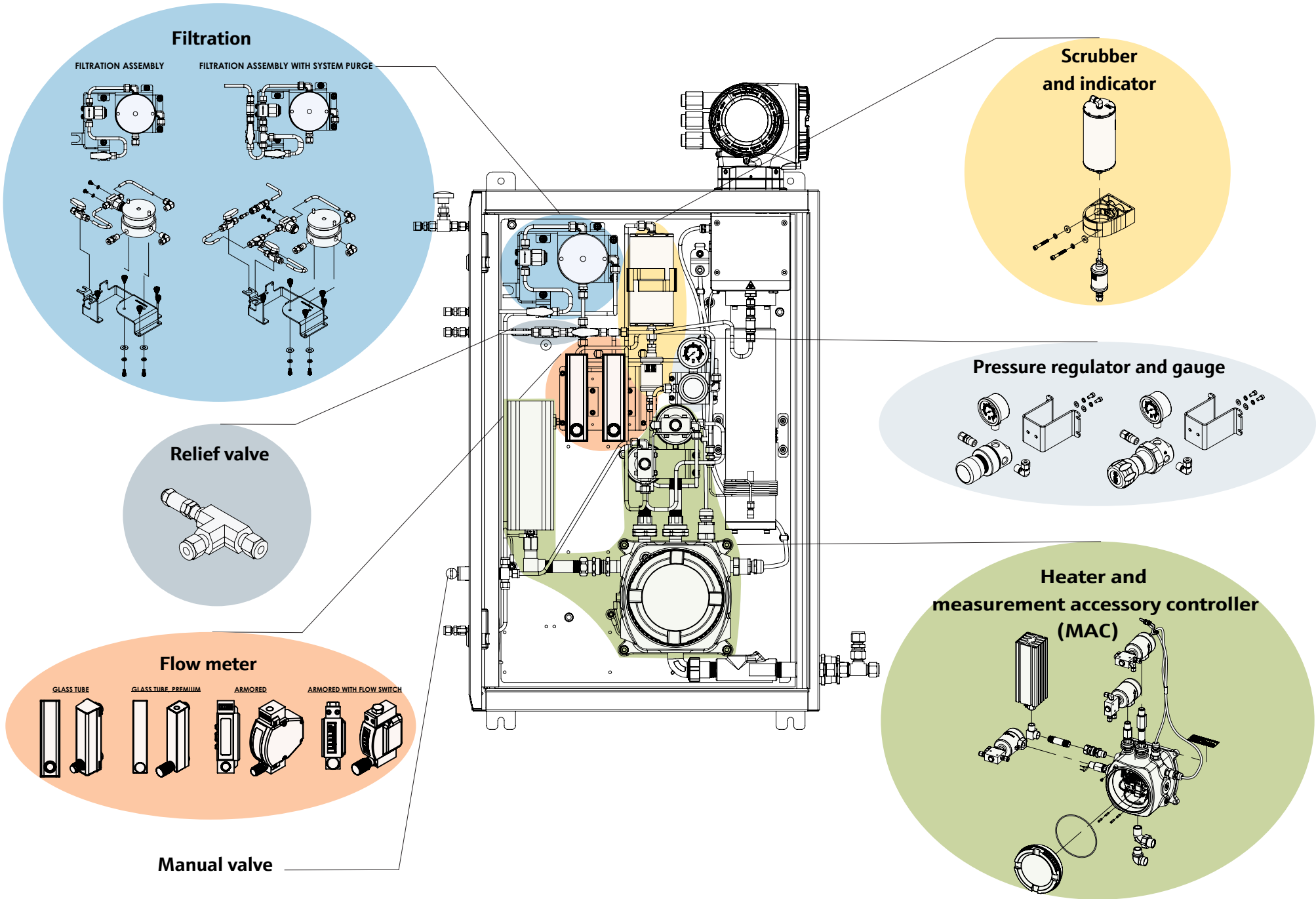


Pneumatic auto-validation
sample conditioning system



Optical head and cell

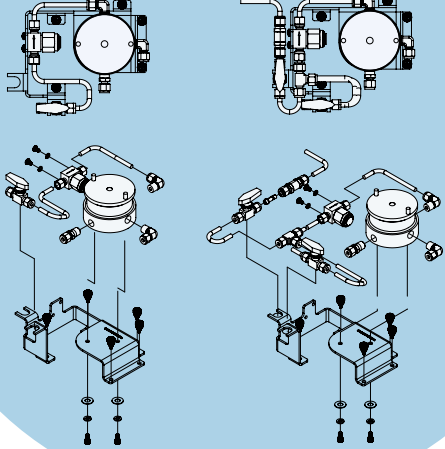




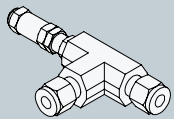
Filtration

FILTRATION ASSEMBLY

FILTRATION ASSEMBLY WITH SYSTEM PURGE



Relief valve



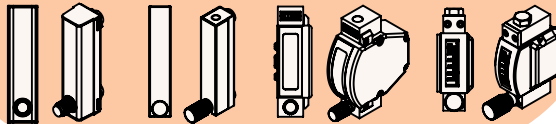
Flow meter

GLASS TUBE

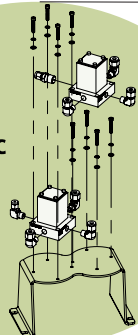
GLASS TUBE PREMIUM

ARMORED

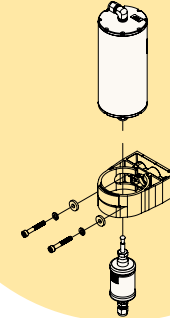
ARMORED WITH FLOW SWITCH



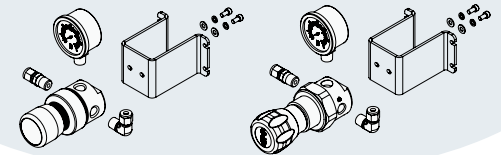
Pneumatic valve



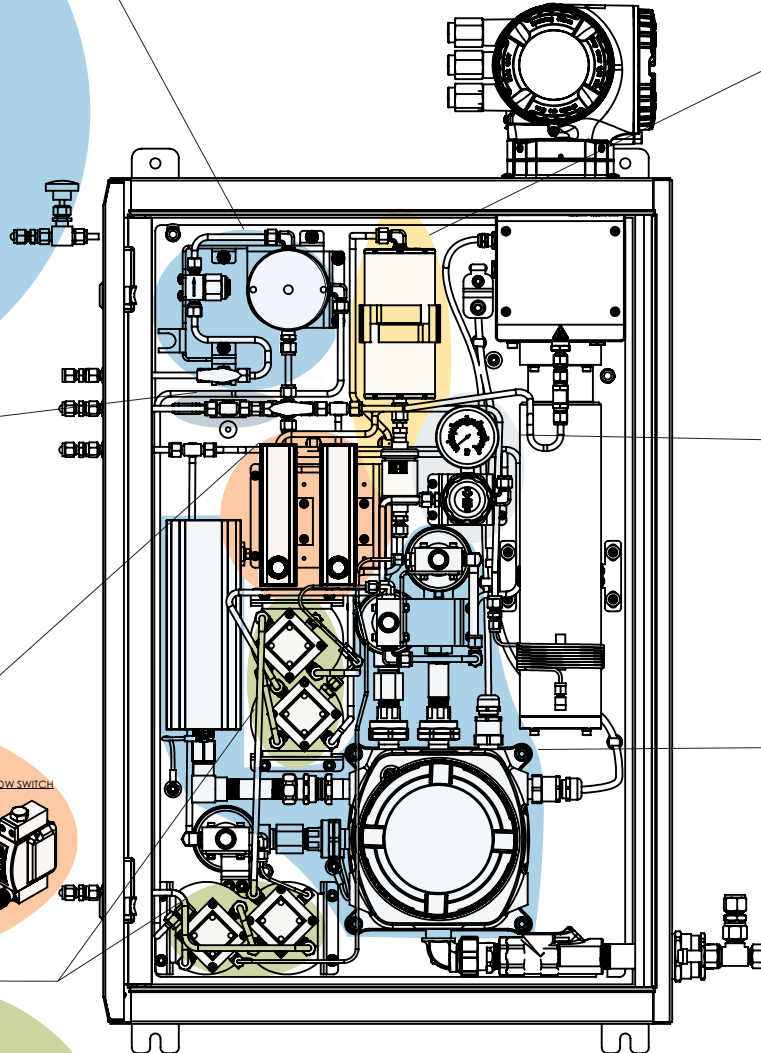
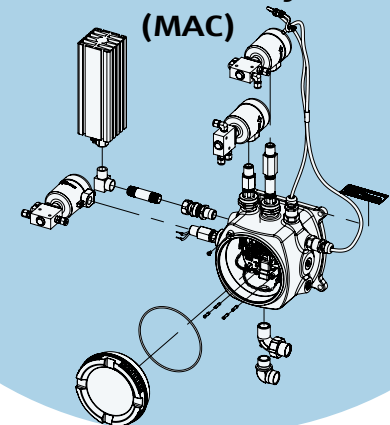
Scrubber and indicator

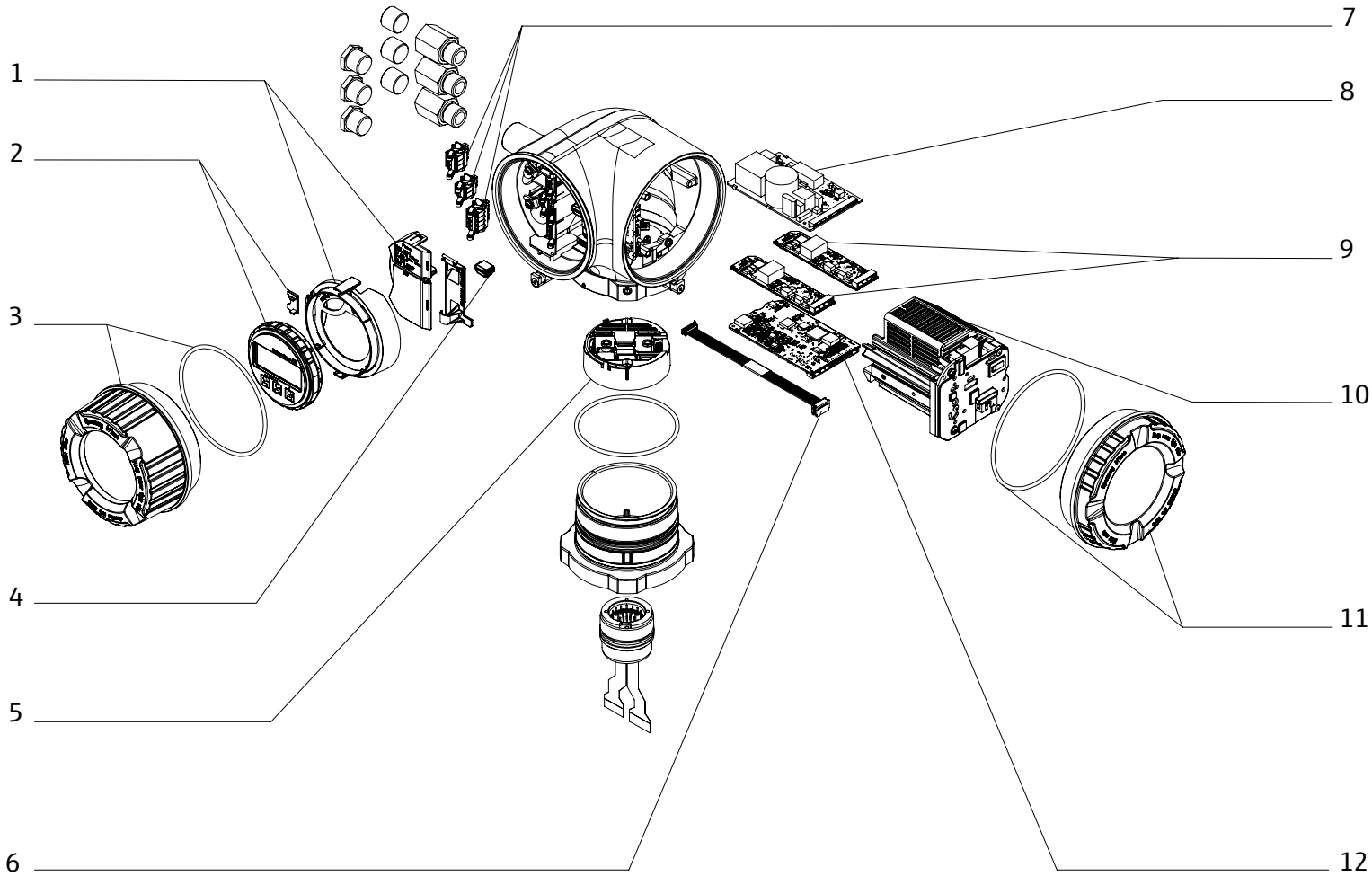


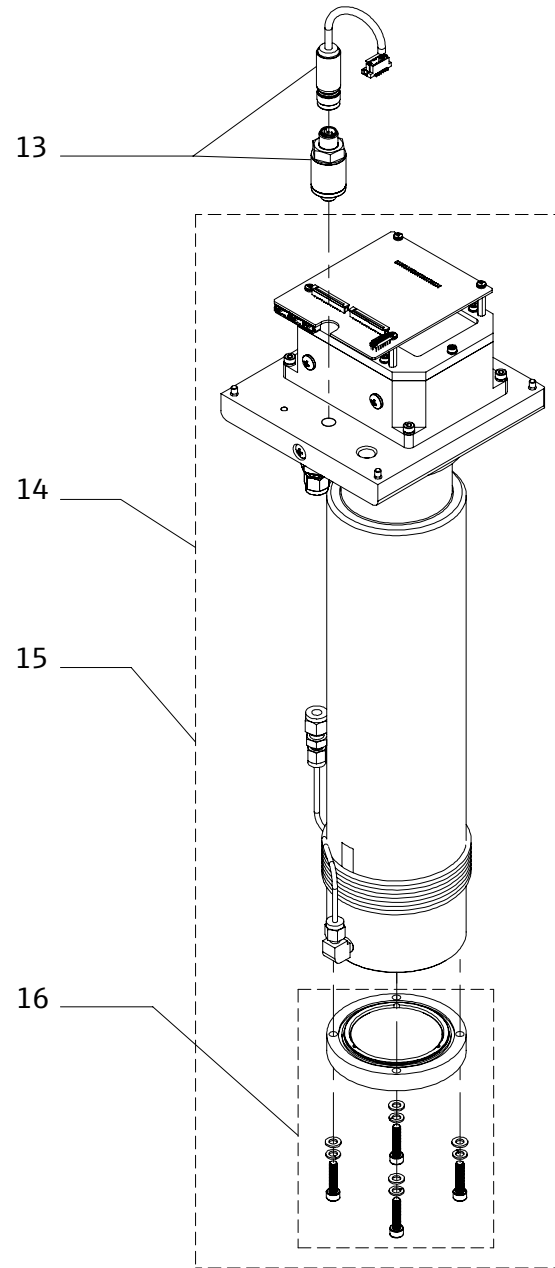
Pressure regulator and gauge



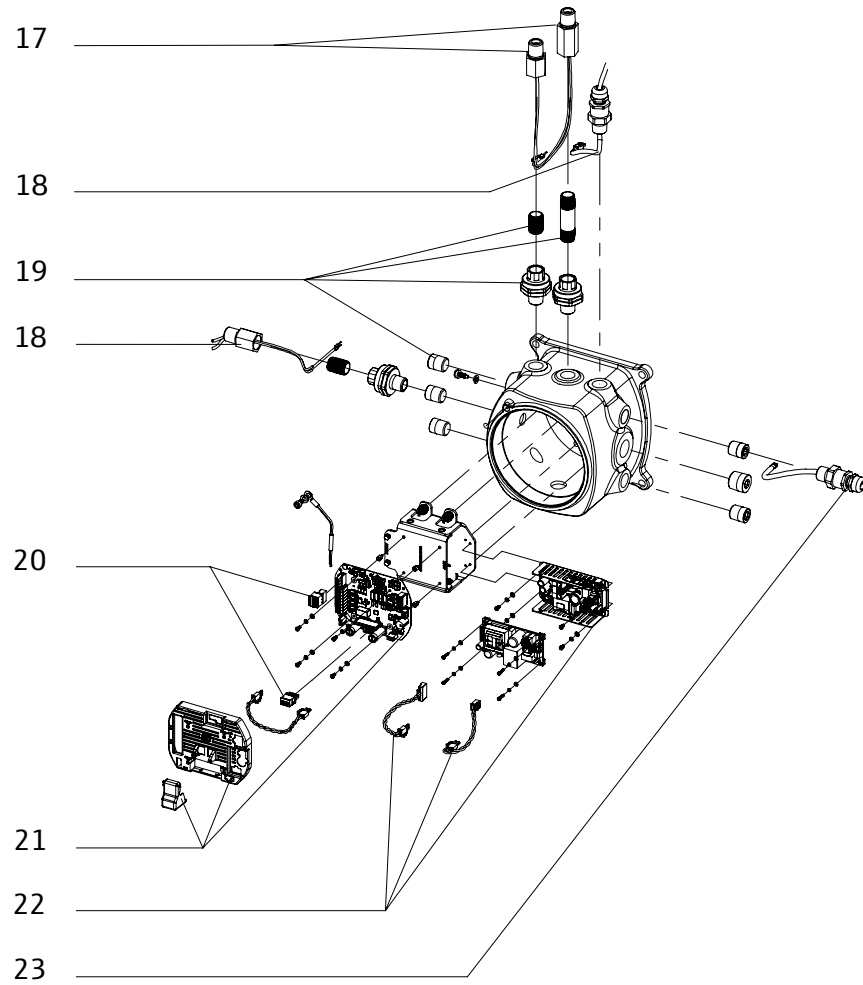
Heater and measurement accessory controller (MAC)



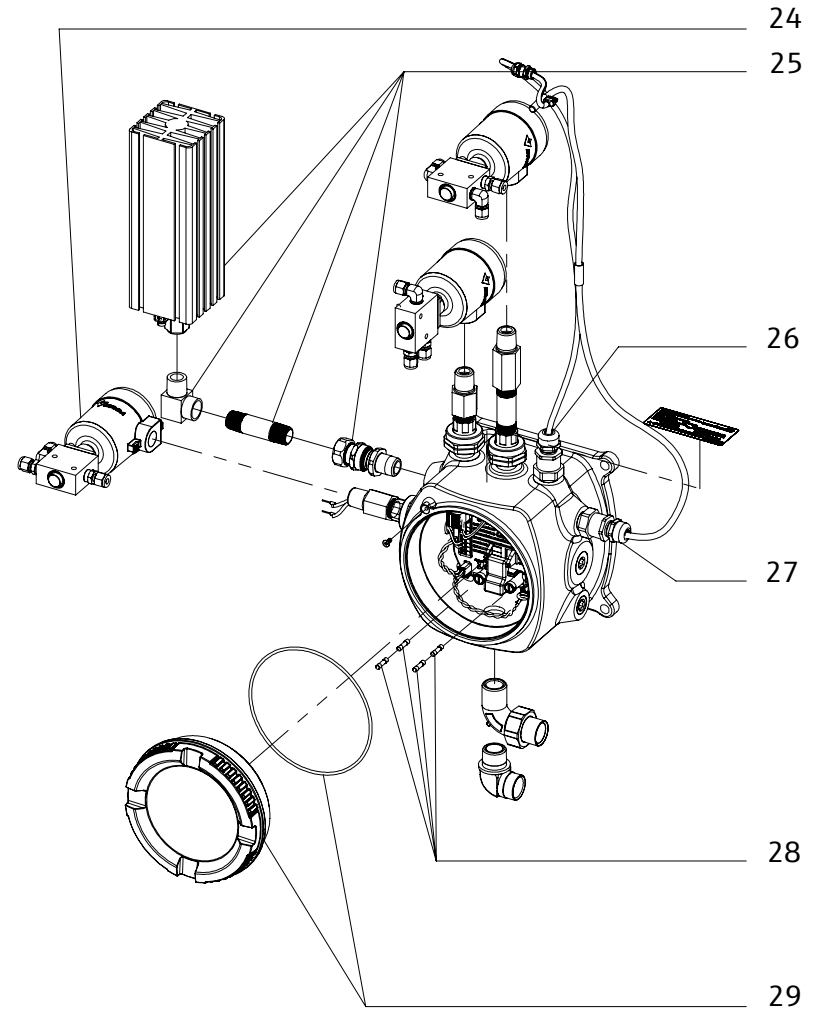




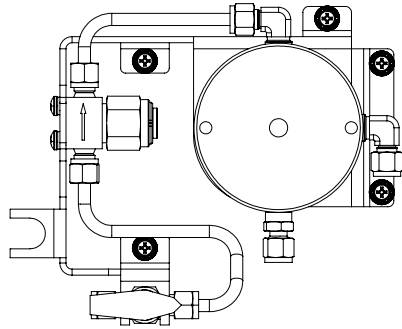
MAC ELECTRONIC ELEMENTS



MAC MECHANICAL ELEMENTS



FILTRATION ASSEMBLY



FILTRATION ASSEMBLY WITH SYSTEM PURGE

