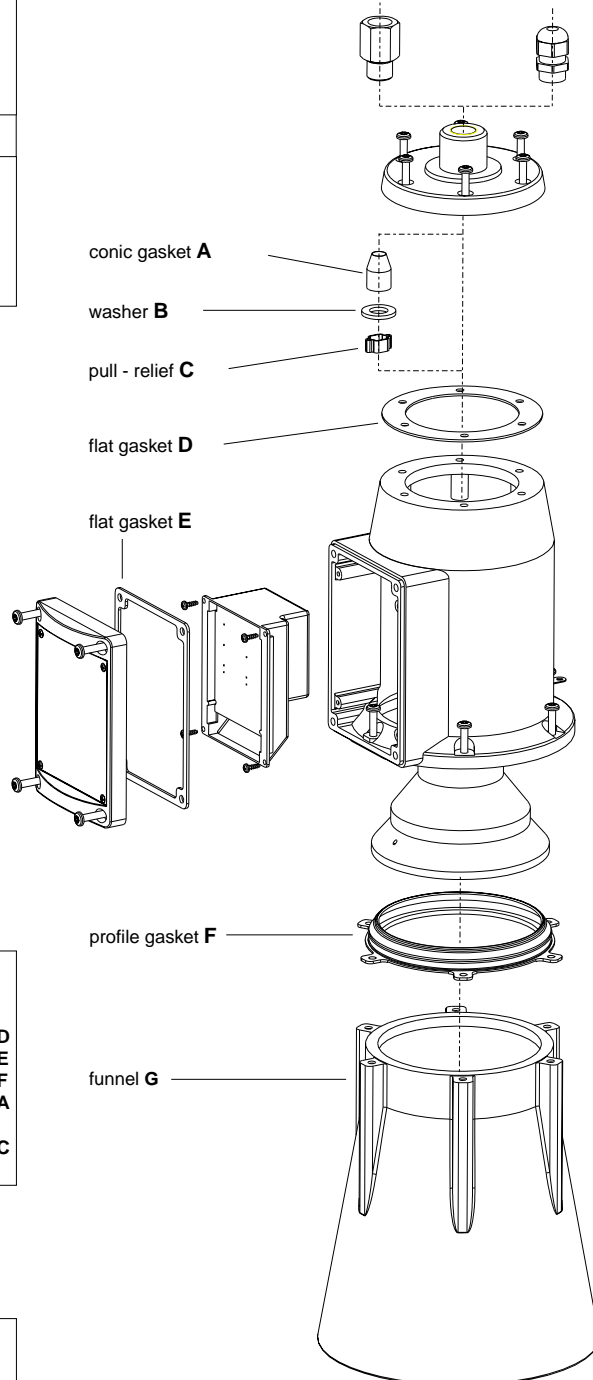


Spare parts for Sensor FDU 86

release05.01

Cabel set	
consist of :	
1 conic gasket,	pos. A
1 washer,	pos. B
1 pull - relief,	pos. C
and cabel	
cable length in meter	
5	52 002 957
10	52 002 958
15	52 002 959
20	52 002 960
25	52 002 961



Gasket set and screws	52 002 964
consist of:	
1 flat gasket 80 x 113 x 1.5 MVQ,	pos. D
1 flat gasket 96 x 138 x 2.0 MVQ,	pos. E
1 profile gasket 115 x 129 x 17 MVQ,	pos. F
1 conic gasket,	pos. A
1 washer	pos. B
1 pull - relief,	pos. C
and 16 screws 5.0 x 25	

Funnel set	52 002 963
consist of:	
1 flat gasket 96 x 138 x 2.0 MVQ,	pos. E
1 funnel,	pos. G
10 screws 5.0 x 25	