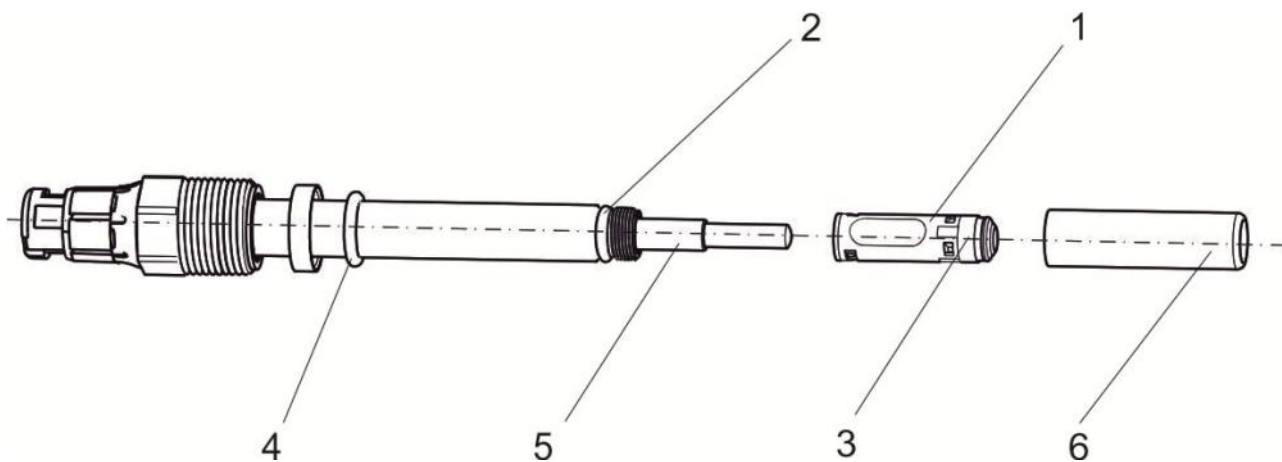


COS22D Ersatz- und Verschleißteile

COS22D Spare and wear parts



- | | | |
|---|----------------|---|
| 1 | COS22Z-?xxx | Membrankörper/ Membrane body |
| 2 | COS22Z-x?xx | O-Ring |
| 3 | COS22Z-xx?x | Mediumsberührter Werkstoff des Membrankörpers
Material of membrane body in contact with medium
Bestandteil von 1/ Component part of 1 |
| 4 | COS22Z-xxx? | Prozessdichtung/ Process sealing |
| 5 | COS22Z-xxxx+F? | Glasinnenkörper/ Inner glass body |
| 6 | COS22Z-xxxx+G? | Schafthülse/ Shaft sleeve |

Lieferumfang/ Scope of delivery

Basisvarianten (immer im Kit enthalten)/ Basic version (always included in kit):

COS22Z-Axxx	3x Pos. 1/ 3x Pos. 2/ 3x Pos 4/
COS22Z-Bxxx	10x Pos 1/ 10 Pos. 2/ 10 Pos 4/

Optional:

COS22Z-xxxx+E?	Basisvariante/ basic version + Elektrolyt/Electrolyte
COS22Z-xxxx+F?	Basisvariante/ basic version + Glasinnenkörper/ Inner glass body (Pos. 5)
COS22Z-xxxx+G?	Basisvariante/ basic version + Ersatzschafthülse/ Spare shaft sleeve (Pos 6)