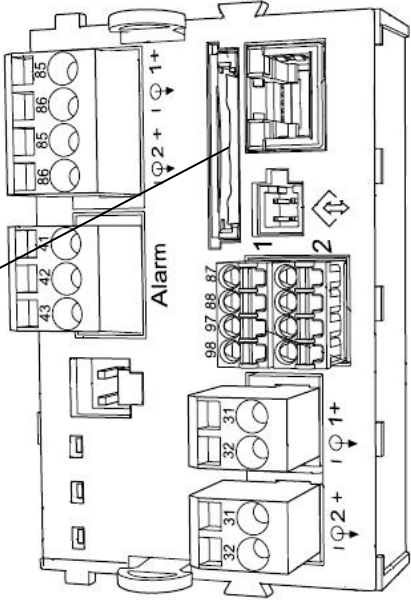
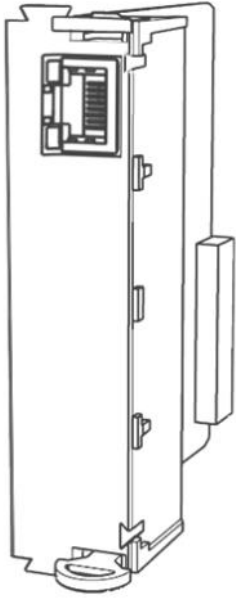


Spare parts CA80SI:
 Overview plug-in modules

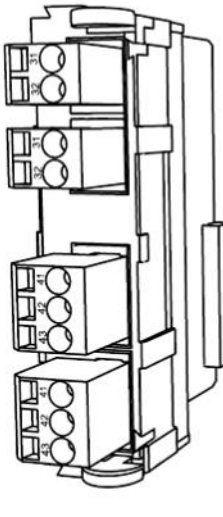
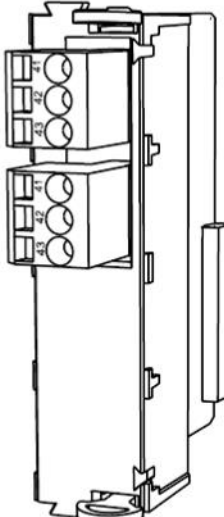
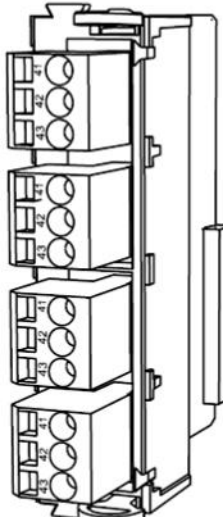
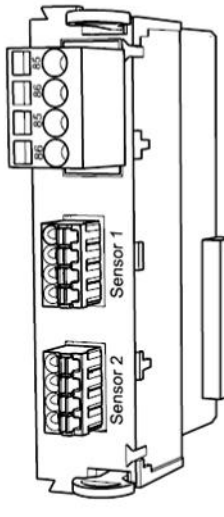
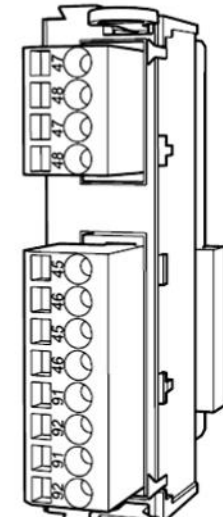
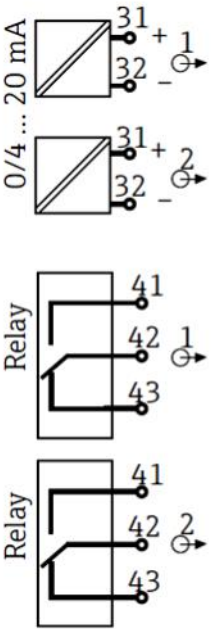
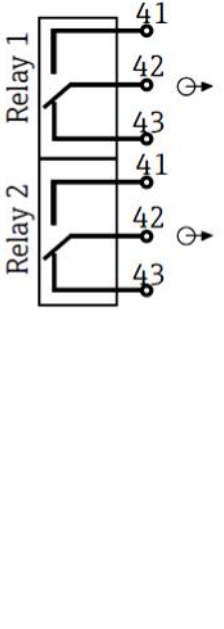
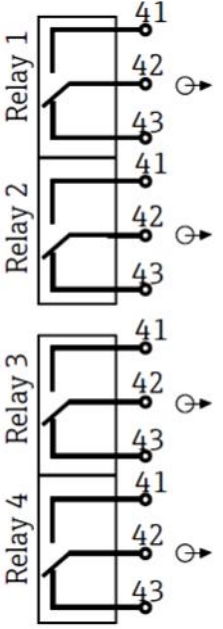
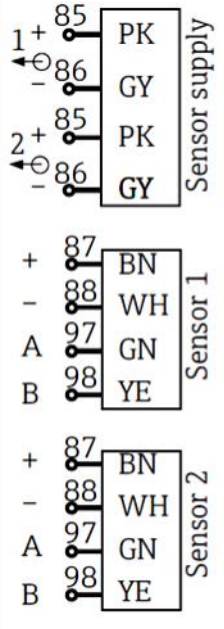
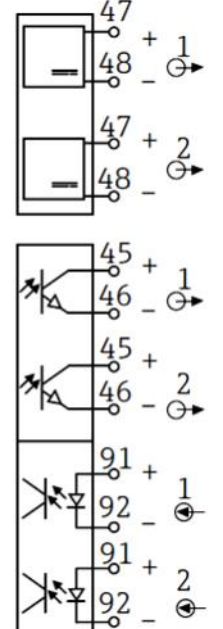
Ersatzteile CA80SI:
 Übersicht Steckmodule

SD memory card
 SD-Speicherkarte

ID No. / module name 304 / BASE E module or BASE2-E module	ID No. / module name 146 / FIDS1 module or FIDS1 module V2
	
<ul style="list-style-type: none"> • Basic module • 24 VDC power supply input • Order No. BASE-E: 71239305 • Order No. BASE2-E: 71431302 	<ul style="list-style-type: none"> • Interface module CM44 • Link CM44 ↔ CA80xx • Order No.: 71218507 • Order No. V2: 71465480
<p> Sensor supply: PK (+85), GY (-86) Alarm: 41, 42, 43 Power (internal): 24 VDC, 12.5 V, 3.3 V HART: 31 (+), 32 (-) </p>	

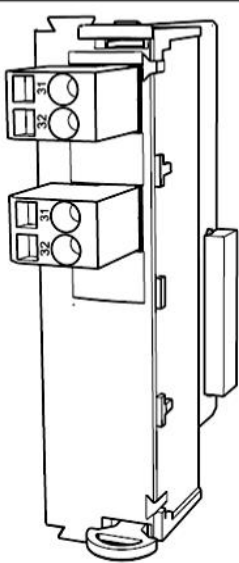
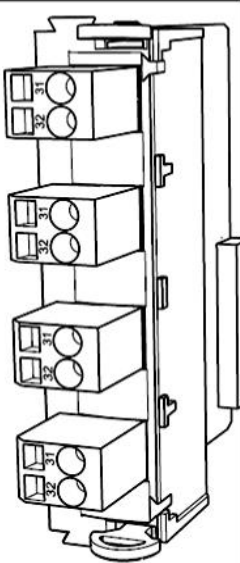
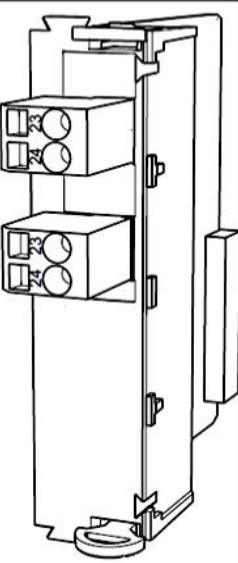
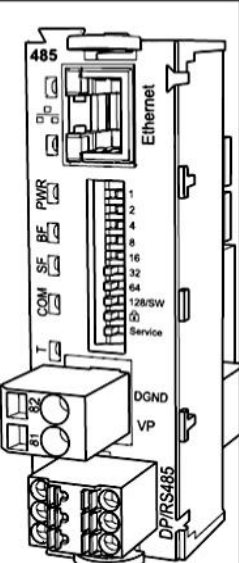
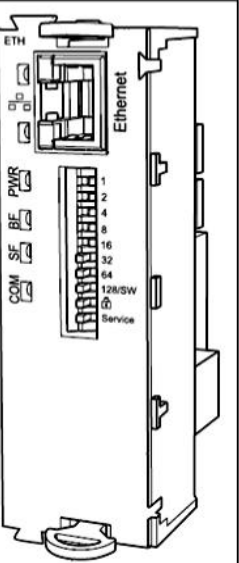
Spare parts CA80SI:
Overview plug-in modules

Ersatzteile CA80SI:
Übersicht Steckmodule

ID No. / module name				
253 / AOR	254 / 2R	255 / 4R	251 / 2DS	252 / DIO
				
<ul style="list-style-type: none"> 2 x 0/4 to 20mA analog outputs 2 relays Order No. 71111053 	<ul style="list-style-type: none"> 2 relays Order No. 71125375 	<ul style="list-style-type: none"> 4 relays Order No. 71125376 	<ul style="list-style-type: none"> 2 digital sensor inputs 2 power supply systems for digital sensors Order No. 71135631 	<ul style="list-style-type: none"> 2 digital inputs 2 digital outputs with auxiliary voltage Order No. 71135638
				

Spare parts CA80SI:
Overview plug-in modules

Ersatzteile CA80SI:
Übersicht Steckmodule

ID No. / module name				
256 / 2AO	257 / 4AO	258 / 2AI	260 / 485	259 / ETH
				
<ul style="list-style-type: none"> 2 x 0/4 to 20mA analog outputs Order No. 71135632 	<ul style="list-style-type: none"> 4 x 0/4 to 20mA analog outputs Order No. 71135633 	<ul style="list-style-type: none"> 2 x 0/4 to 20mA analog inputs Order No. 71135639 	<ul style="list-style-type: none"> Ethernet (web server or Modbus TCP) Order No. 71135634 	<ul style="list-style-type: none"> Web server and Ethernet/IP or Modbus TCP Order No. 71272410

NOTICE

For modules not listed here, please pay attention to the printed name on the module front. If necessary, ask your E+H service for more information.