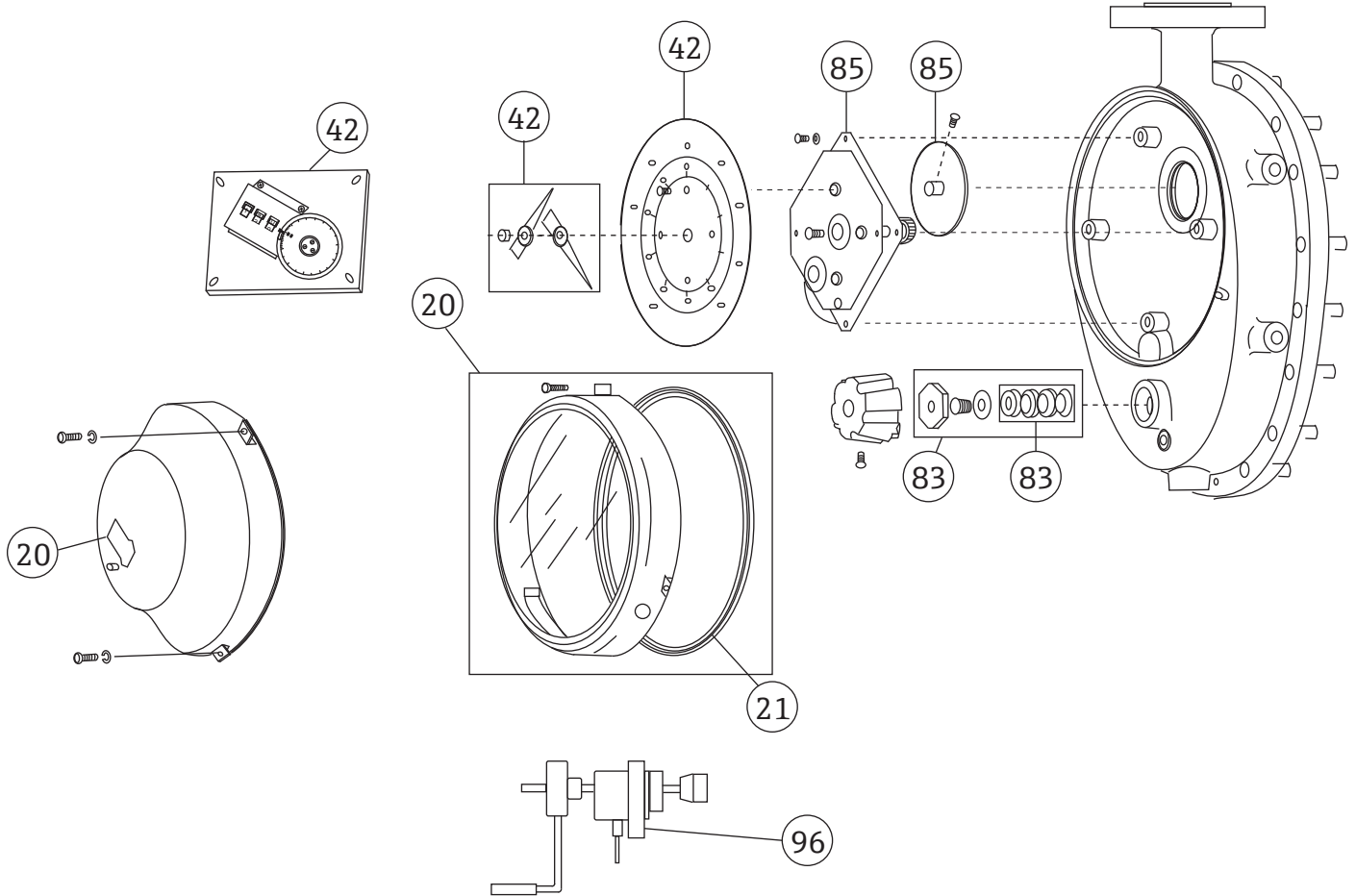
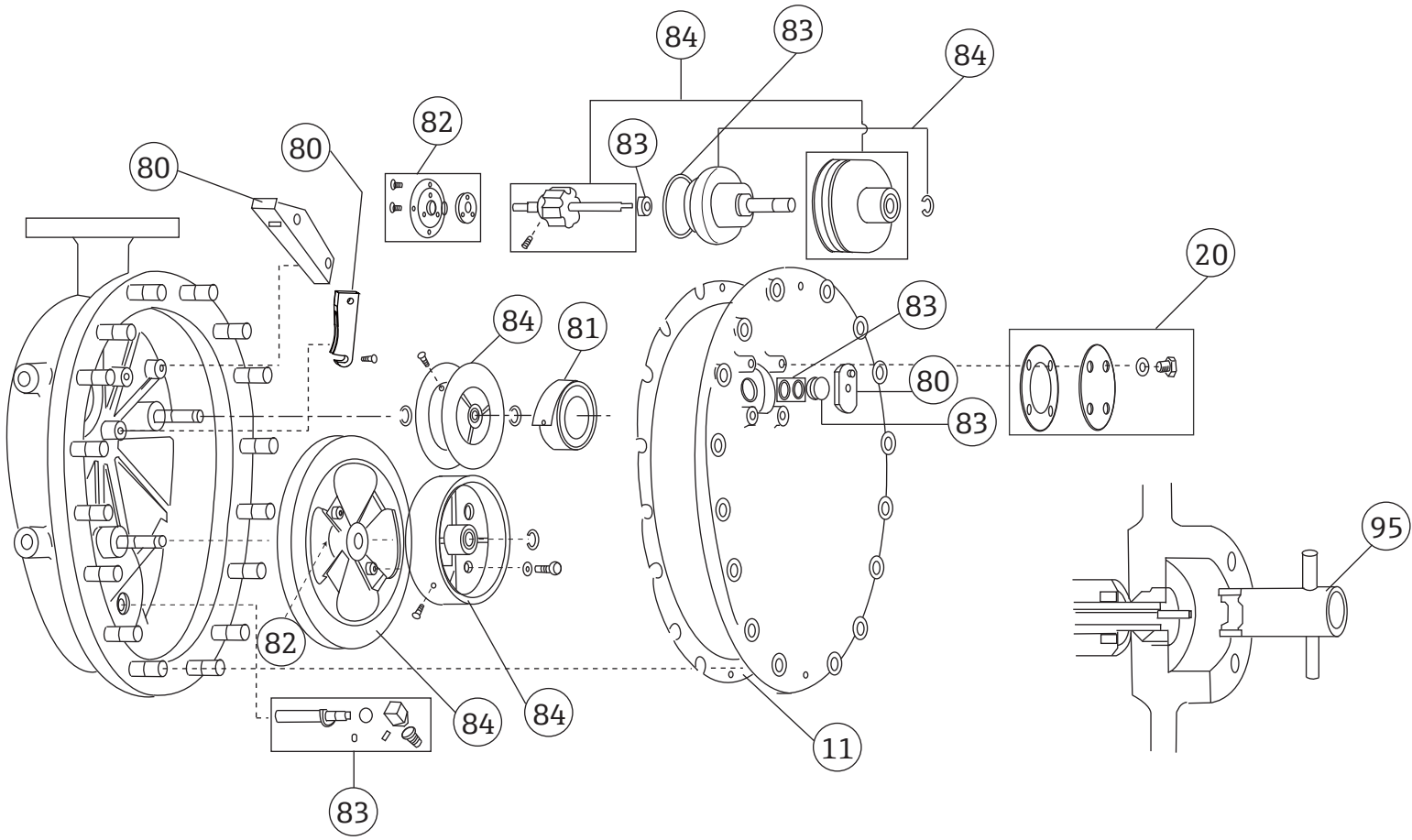


LT5-4 and LT5-6 Gauge Head



Crank Up Unit